



US00D988158S

(12) **United States Design Patent**  
**Zhan**

(10) **Patent No.:** **US D988,158 S**  
(45) **Date of Patent:** **\*\* Jun. 6, 2023**

(54) **PROTECTIVE CASING FOR TRACKER**

(71) Applicant: **Minghua Zhan**, Jiangxi (CN)

(72) Inventor: **Minghua Zhan**, Jiangxi (CN)

(\*\*) Term: **15 Years**

(21) Appl. No.: **29/785,461**

(22) Filed: **May 26, 2021**

(30) **Foreign Application Priority Data**

May 20, 2021 (CN) ..... 202130302800.X

(51) **LOC (14) Cl.** ..... **10-04**

(52) **U.S. Cl.**  
USPC ..... **D10/70; D10/106.9**

(58) **Field of Classification Search**  
USPC ..... D10/70, 78, 106.9, 106.91, 106.92,  
D10/106.93, 106.94

CPC ..... A41D 1/02; A44C 5/0015; A44C 5/02;  
A44C 5/14; A61B 19/44; A61B  
2019/446; A61B 71/00; A61B 5/02416;  
A61B 5/1118; A61B 2/721; A61B 5/002;  
A61B 5/112; A61B 5/1122; A61B 5/746;  
A61B 5/6823; A61B 5/72; A61B 5/7445;  
A61B 5/0022; A61B 5/14532; A63B  
71/06; A63B 26/00; A63B 24/0075; A63B  
2071/0663; A63B 71/0686; A63B  
24/0062; A63B 24/0084; A63B  
2024/0068; A63B 2024/0078; A63B  
2024/0056; A63B 2071/0625; A63B  
2071/003; A63B 2071/063; A63B  
2071/065; A63B 2071/068; A63B  
2071/0675; A63B 2220/40; A63B  
2220/803; A63B 2220/12; A63B 2220/20;  
A63B 2220/22; A63B 2220/30; A63B  
2225/50; A63B 2225/02; A63B 2225/06;  
A63B 2230/75; A63B 2024/0065; A63B  
2024/0081; A63B 2220/51; A63B  
2220/62; A63B 2220/836; G09F 3/005;  
G09F 3/18; G09F 3/185; G09F 3/20;

G09F 3/201; G09F 3/202; G09F 3/203;  
G09F 3/204; G09F 3/205; G09F 3/206;  
G09F 3/207; G09F 3/208; G06F 1/163;  
G06F 3/038; G06F 3/03547; G04G 17/00;  
G04G 17/08; G04G 17/04; G04G 21/02;  
G04G 21/00; G04G 21/08; G04B  
37/1486; G06Q 10/00; G06Q 50/00;  
G09B 9/00; G09B 19/00; G04F 10/00;  
G08B 13/126; G08B 13/128; G08B  
13/14; G08B 13/1427; G08B 13/1409;  
G08B 13/1436; G08B 13/1445; G08B  
13/1463; G08B 13/1472; G08B 13/1481;  
G08B 13/149; G08B 13/2428; G08B  
13/2434; G08B 13/2437; G08B 21/24

See application file for complete search history.

(56) **References Cited**

**U.S. PATENT DOCUMENTS**

D818,854 S \* 5/2018 Kachar ..... D10/70  
D867,909 S \* 11/2019 Kachar ..... D10/70

\* cited by examiner

*Primary Examiner* — Antoine Duval Davis

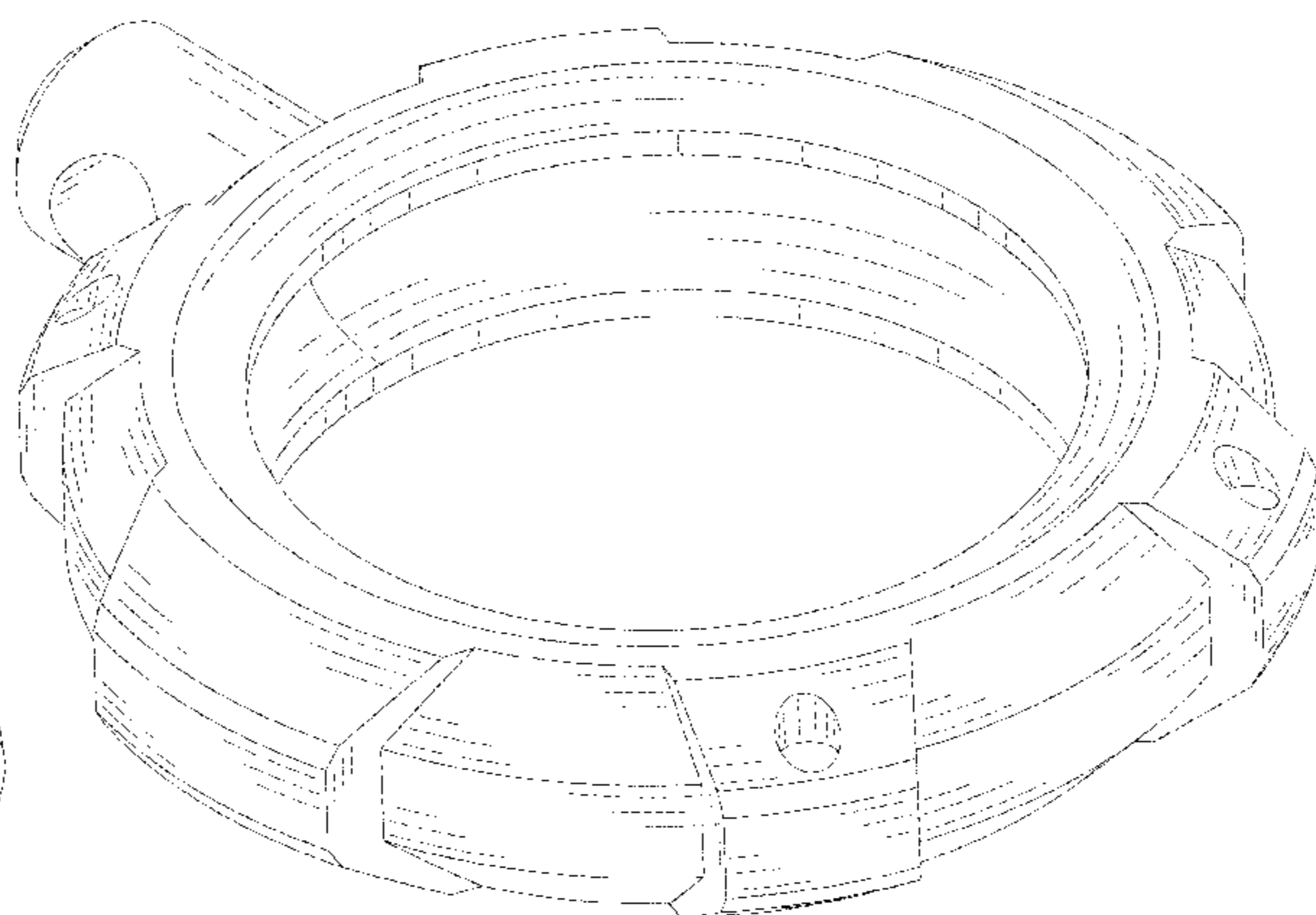
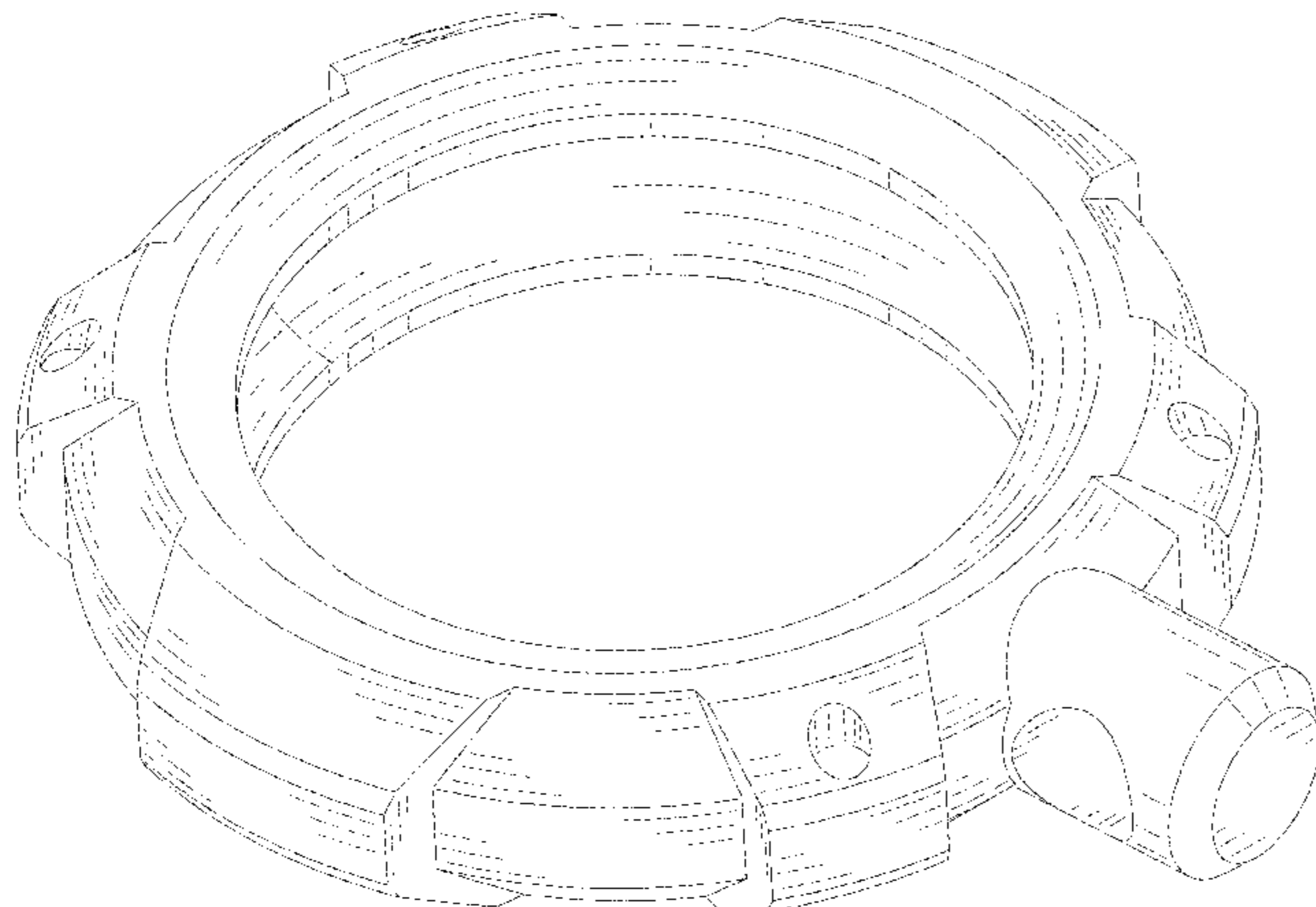
(57) **CLAIM**

The ornamental design for a protective casing for tracker, as shown.

**DESCRIPTION**

FIG. 1 is a front elevational view of a protective casing for tracker showing my new design;  
FIG. 2 is a rear elevational view thereof;  
FIG. 3 is a left side view thereof;  
FIG. 4 is a right side view thereof;  
FIG. 5 is a top plan view thereof;  
FIG. 6 is a bottom plan view thereof;  
FIG. 7 is a perspective view thereof; and,  
FIG. 8 is another perspective view thereof.

**1 Claim, 6 Drawing Sheets**



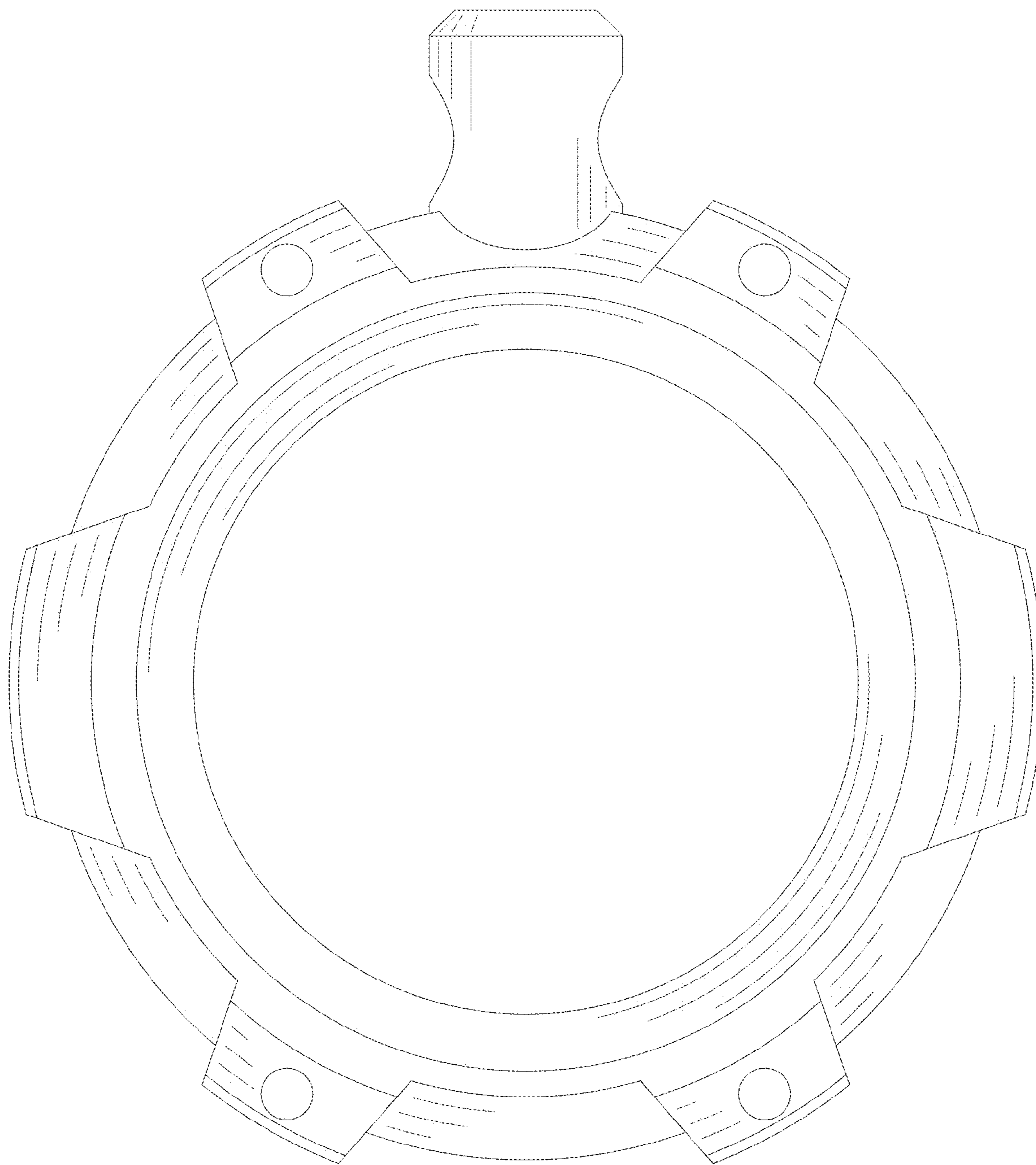


Fig. 1

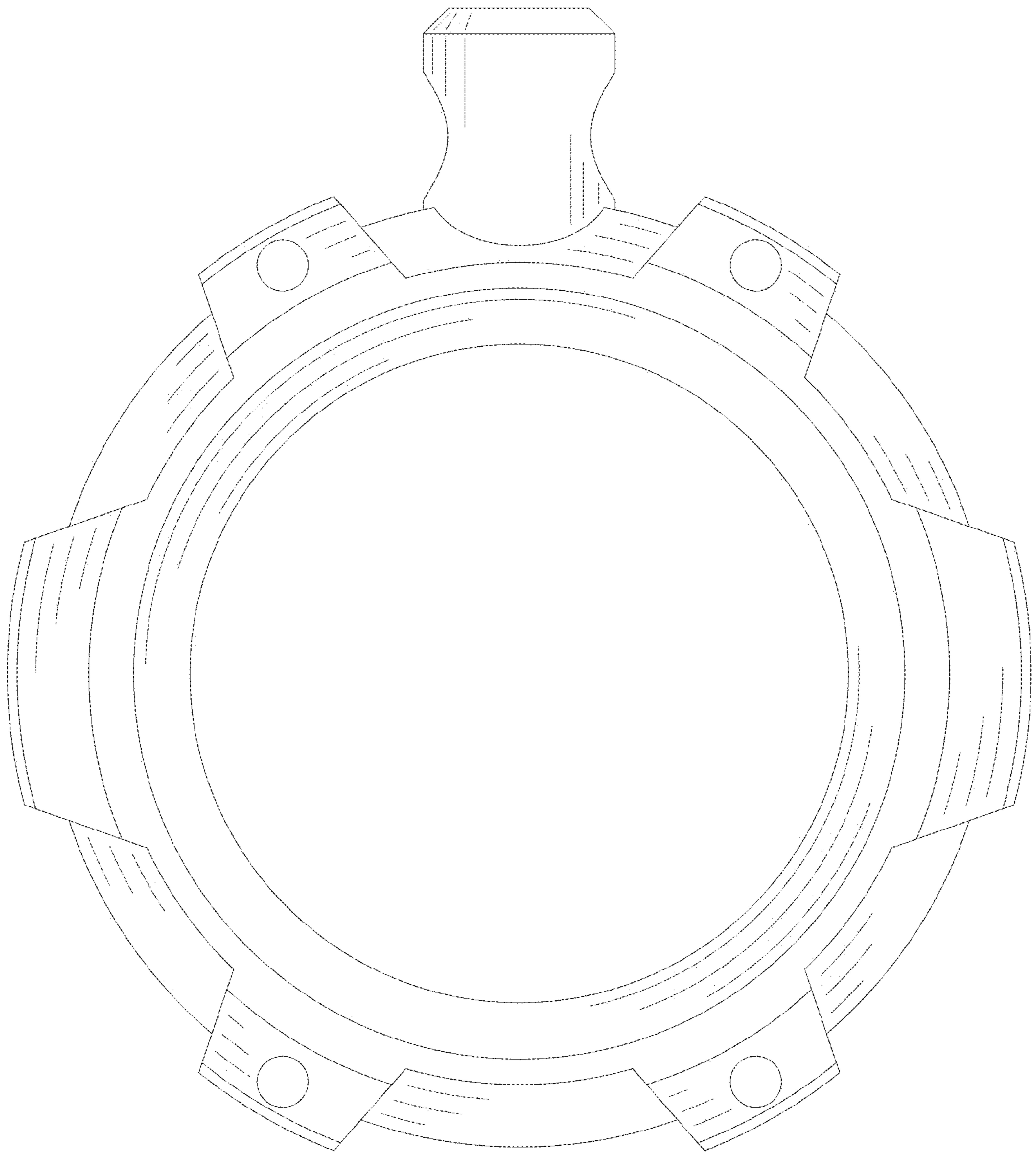


Fig. 2

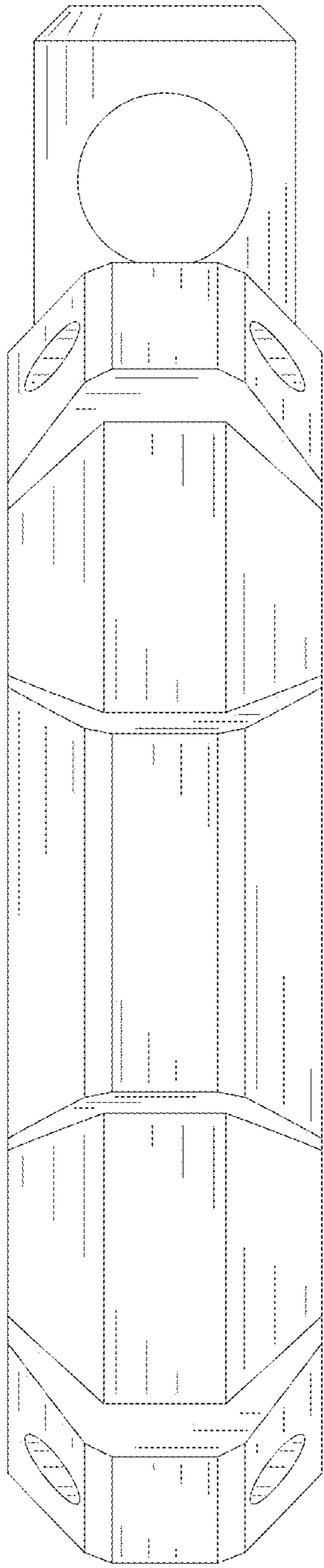


Fig. 3

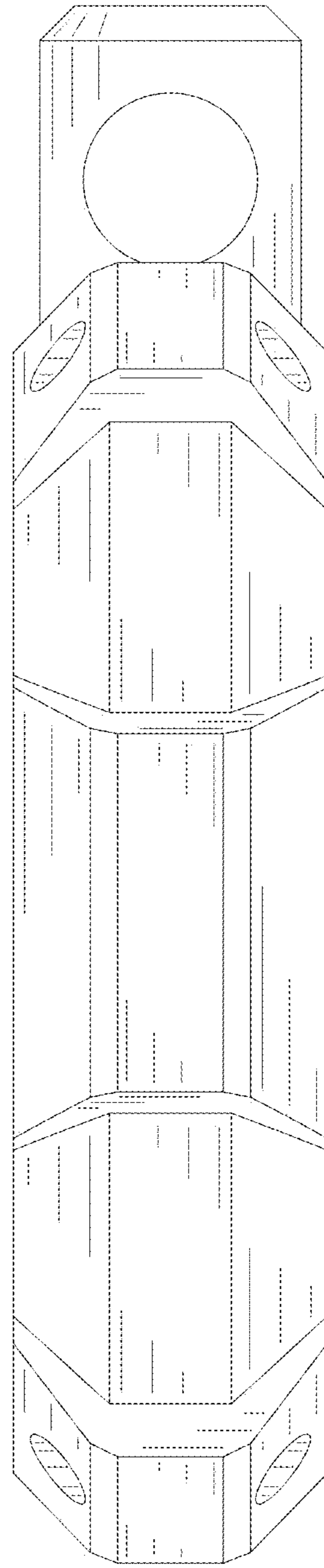


Fig. 4

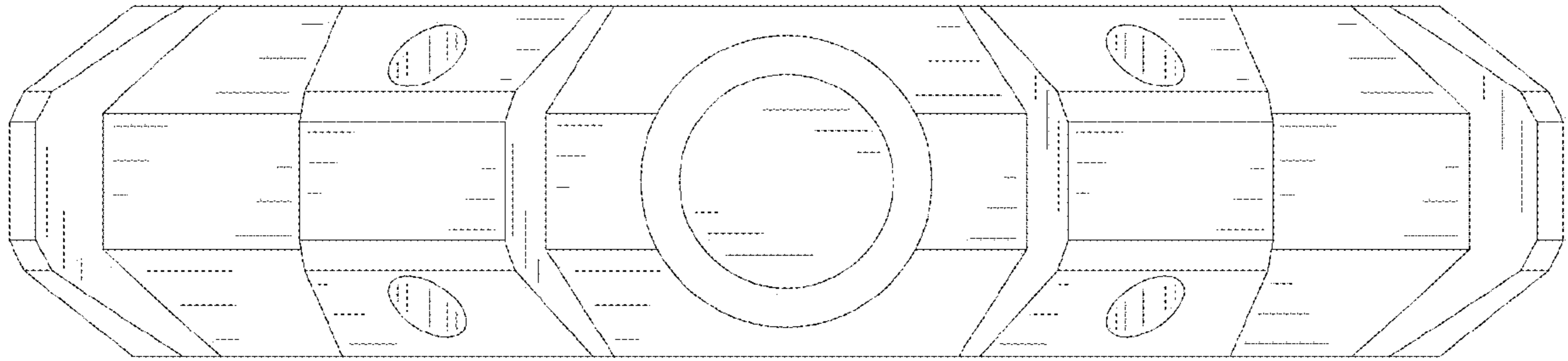


Fig. 5

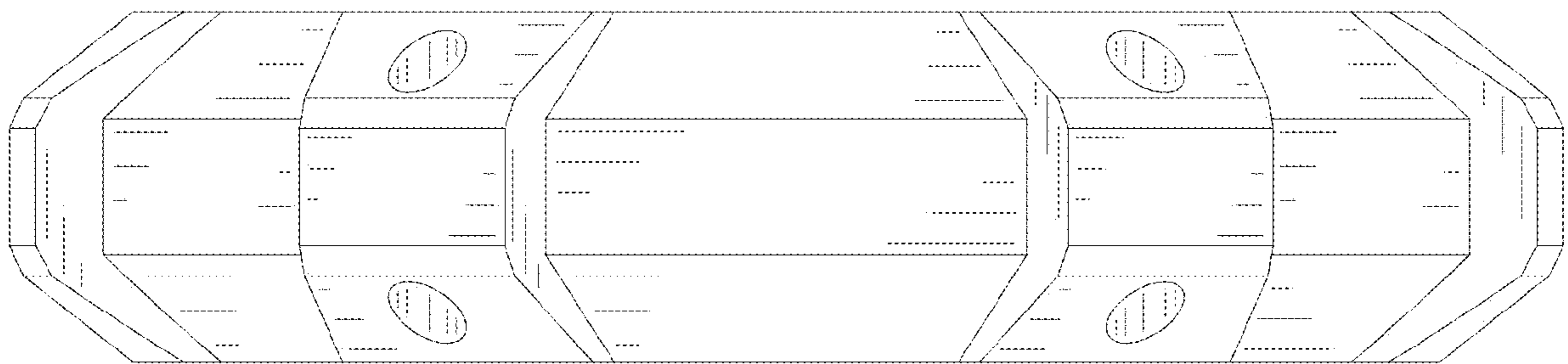


Fig. 6

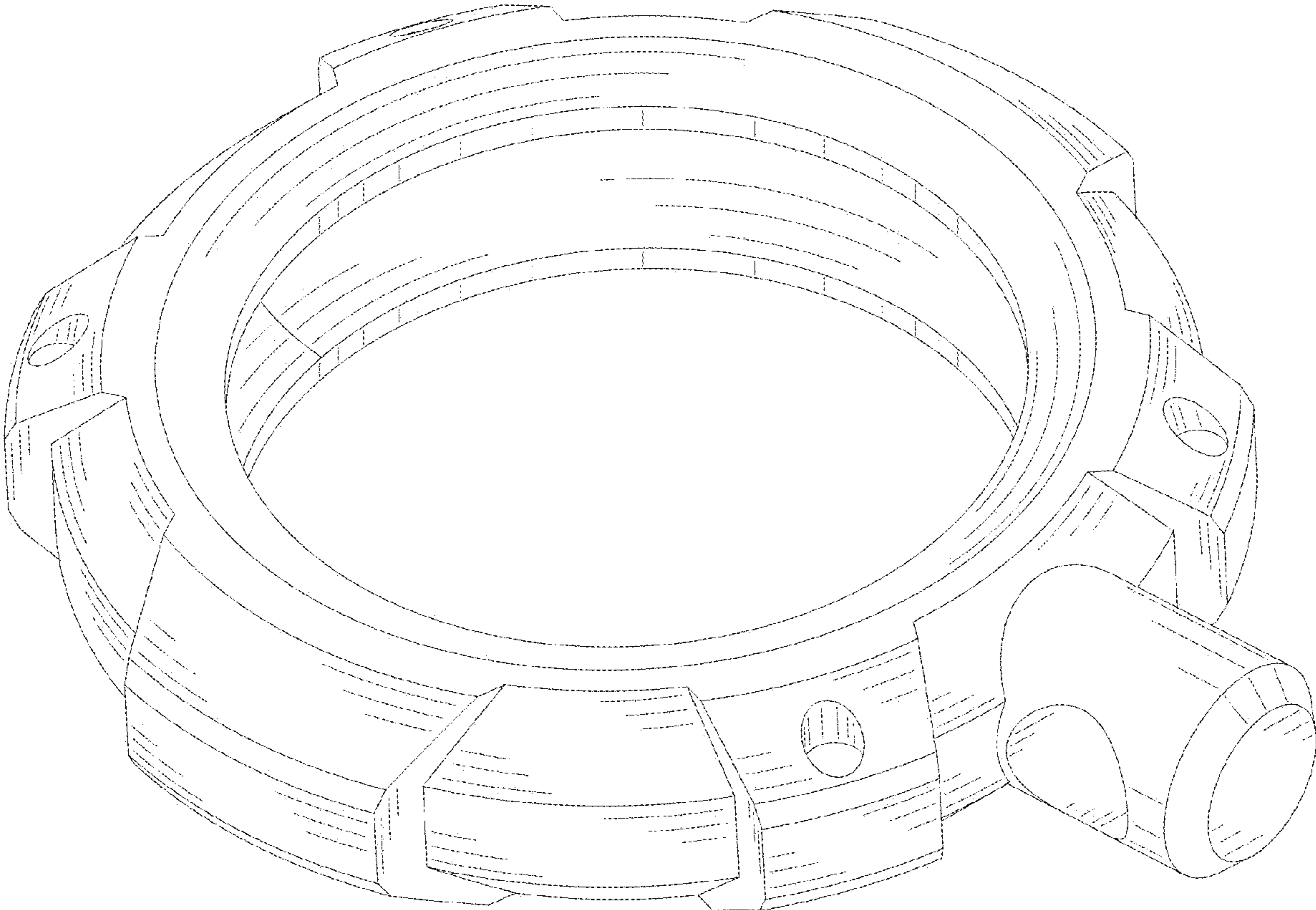


Fig. 7

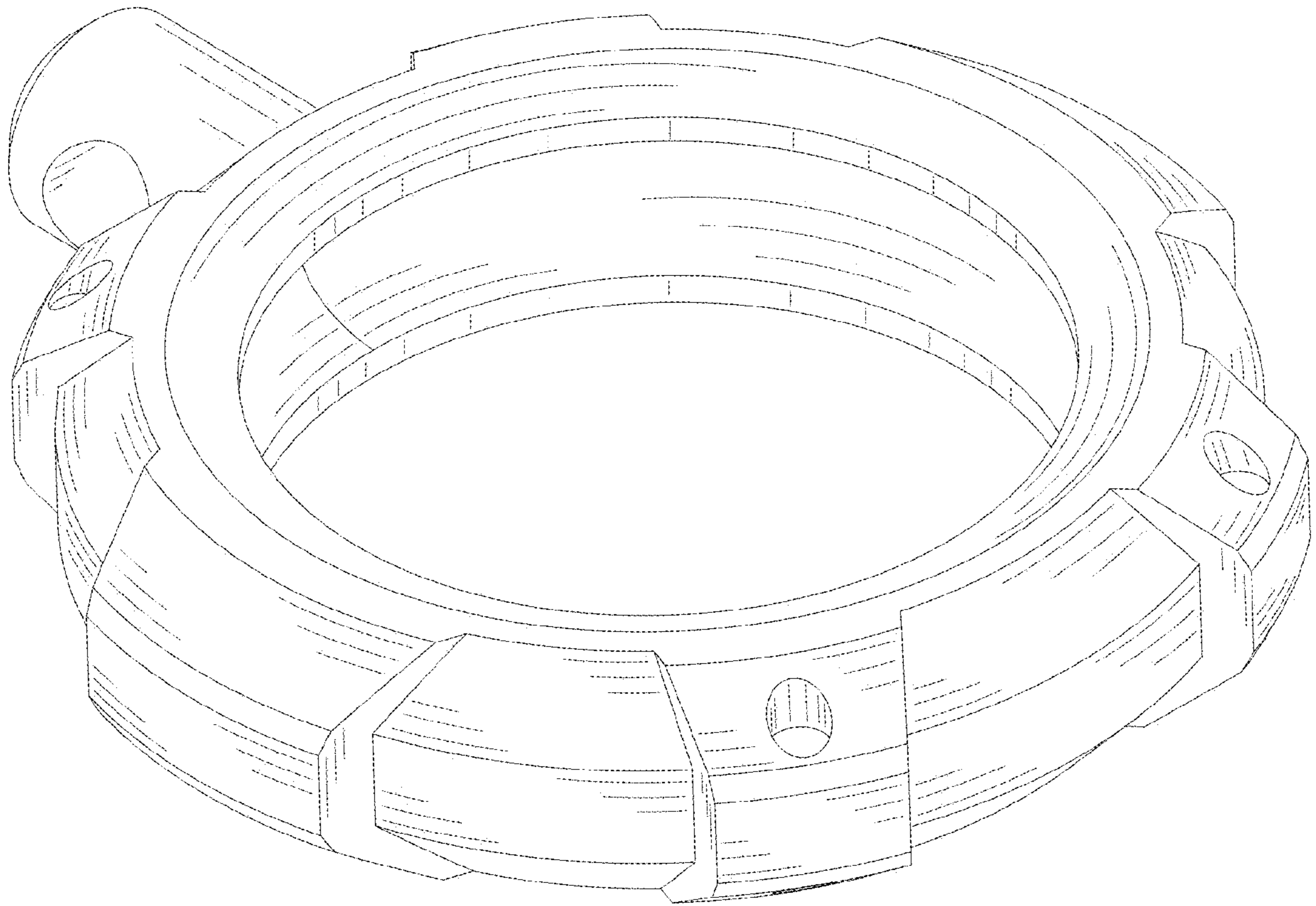


Fig. 8