



US00D988156S

(12) **United States Design Patent**
Caprio

(10) **Patent No.:** **US D988,156 S**
(45) **Date of Patent:** **** Jun. 6, 2023**

- (54) **LEVEL APPARATUS**
- (71) Applicant: **DM Consulting Inc.**, Monroe Township, NJ (US)
- (72) Inventor: **Michael Angelo Caprio**, Monroe Township, NJ (US)
- (73) Assignee: **DM CONSULTING INC.**, Monroe Township, NJ (US)

3,568,319 A 3/1971 Moll
 3,751,818 A 8/1973 Eller, Jr.
 3,894,342 A 7/1975 Goode
 3,950,860 A 4/1976 Holcombe
 (Continued)

FOREIGN PATENT DOCUMENTS

CN 201335691 Y 10/2009
 JP 3046585 B2 5/2000
 (Continued)

(**) Term: **15 Years**

- (21) Appl. No.: **29/764,904**
- (22) Filed: **Jan. 4, 2021**
- (51) **LOC (14) Cl.** **10-04**
- (52) **U.S. Cl.**
USPC **D10/69**
- (58) **Field of Classification Search**
USPC D10/62, 65, 69, 74
CPC B25H 1/0085; G01C 9/28; G01C 9/32;
G01C 9/26; G01C 9/34; G01C 9/24;
G01C 9/06; G01C 9/36; G01C 9/20;
G01C 9/02; G01C 9/18; G01C 9/12;
G01C 2009/066; G01C 9/00; G01C 9/10;
G01C 9/30; G01C 15/008; G01C 15/06;
G01C 2009/068; G01C 2009/182; G01C
5/00; G01C 9/04; G01C 9/22; G01C 9/16
See application file for complete search history.

OTHER PUBLICATIONS

ALPA separate and interchangeable spirit level, available in alpha. swiss, earliest photo post date per tineye.com, May 23, 2012 [online], [site visited Jan. 13, 2023], Internet URL: <https://www.alpha.swiss/products/400-120-010-alpha-separate-and-interchangeable-spirit-level>. (Year: 2012).*

(Continued)

Primary Examiner — George D. Kirschbaum
Assistant Examiner — Lillian Windham
 (74) *Attorney, Agent, or Firm* — Hard IP LLC

(57) **CLAIM**

The ornamental design for a level apparatus, as shown and described.

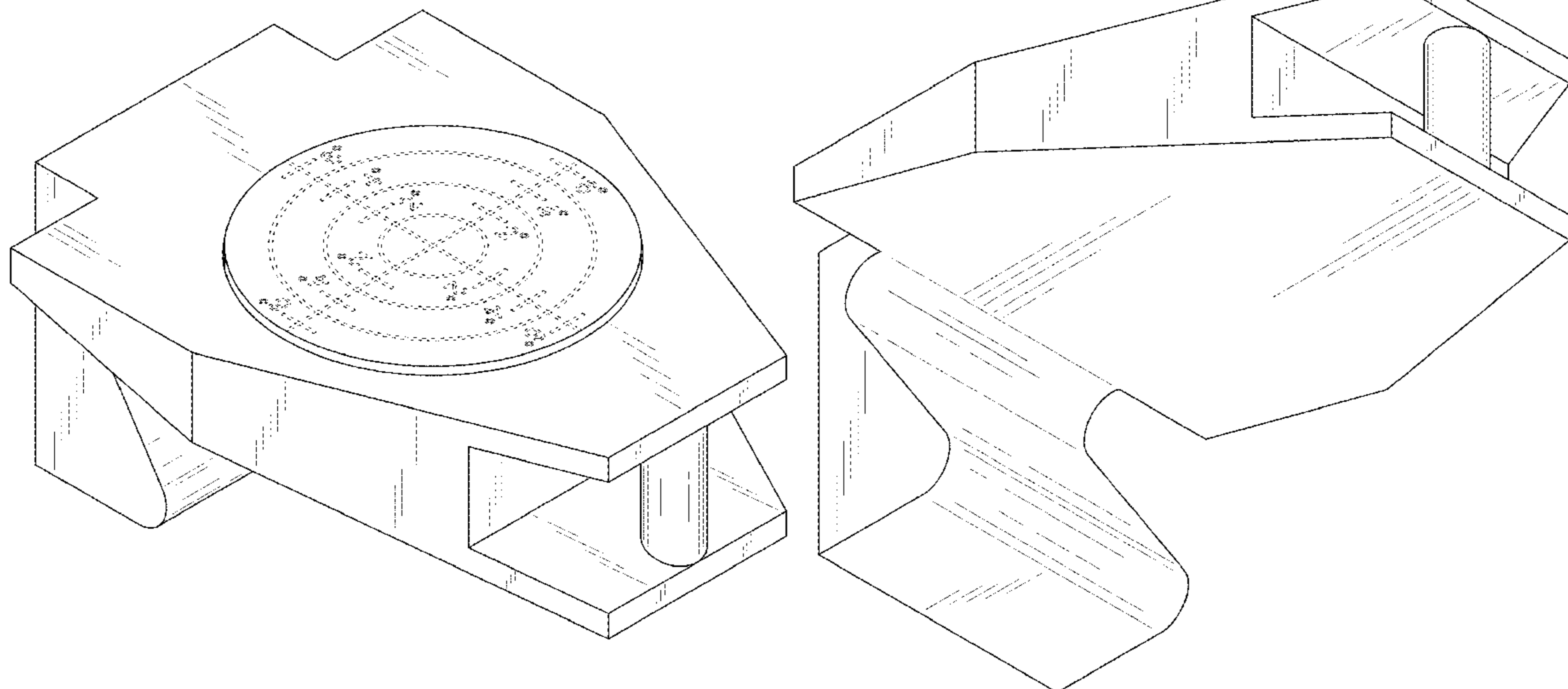
DESCRIPTION

FIG. 1 is a top perspective view of a level apparatus in accordance with the present design;
 FIG. 2 is a bottom perspective view thereof;
 FIG. 3 is a front view thereof;
 FIG. 4 is a rear view thereof;
 FIG. 5 is a left view thereof;
 FIG. 6 is a right view thereof;
 FIG. 7 is a top view thereof; and,
 FIG. 8 is a bottom view thereof.
 The broken lines depict portions of the article that form no part of the claimed design.

(56) **References Cited**
U.S. PATENT DOCUMENTS

101,773 A	4/1870	Sharp
1,113,805 A	10/1914	McNeil
1,305,636 A	6/1919	Weilep
1,417,703 A	5/1922	Waffenschmidt
2,268,758 A	1/1942	Martin et al.
2,689,412 A	10/1951	Young
2,743,528 A	9/1954	Posthauer
3,408,741 A	11/1968	Bane

1 Claim, 6 Drawing Sheets



(56)

References Cited

U.S. PATENT DOCUMENTS

4,438,538 A 3/1984 Larsen
 4,860,459 A 8/1989 Dengler
 5,020,235 A 6/1991 Martin
 5,119,565 A 6/1992 Horvath et al.
 5,326,096 A 7/1994 H'Doubler
 D369,846 S 5/1996 Jones
 5,596,826 A 1/1997 Barden
 D396,817 S * 8/1998 Webb D10/69
 5,878,502 A 3/1999 Donahue, Jr.
 6,141,880 A 11/2000 Vircks
 6,338,204 B1 1/2002 Howie
 6,490,803 B1 12/2002 Butters et al.
 6,748,665 B1 6/2004 Samp
 6,964,109 B1 11/2005 Bond
 7,047,659 B2 5/2006 Holland
 7,171,759 B1 2/2007 Loen
 D540,206 S * 4/2007 White D10/69
 D540,707 S * 4/2007 Steiner D10/69
 D555,017 S * 11/2007 Steiner D10/69
 7,987,608 B2 8/2011 Rowe
 8,006,396 B2 8/2011 Ilton
 8,222,893 B2 7/2012 Holfeld
 8,413,343 B2 4/2013 Hale
 8,732,968 B2 5/2014 Kang et al.
 8,806,769 B2 8/2014 Tan
 D713,748 S * 9/2014 Hariharan D10/65
 D725,508 S * 3/2015 Steinich D10/65
 9,052,191 B1 6/2015 Keate
 9,222,774 B2 12/2015 Han et al.
 D750,982 S * 3/2016 Gordon D10/65
 9,528,827 B2 12/2016 Camiato
 9,625,259 B2 4/2017 Ryoo et al.

9,851,203 B2 12/2017 Heerschap et al.
 D811,907 S 3/2018 McLaughlin
 10,054,440 B2 8/2018 Egan
 11,333,495 B1 5/2022 Caprio
 2008/0042360 A1 2/2008 Veikley
 2011/0010954 A1 1/2011 Rowe
 2016/0082334 A1 3/2016 Olive
 2017/0292837 A1 10/2017 Jones

FOREIGN PATENT DOCUMENTS

RU 172142 U1 6/2017
 WO 2010067371 A1 6/2010

OTHER PUBLICATIONS

Medium Metal Mounting Bulls Eye Spirit Bubble Plumb Level, available in Amazon.co.uk, date first available May 30, 2014 [online], [site visited Jan. 13, 2023], Available from the internet URL: <<https://www.amazon.co.uk/Medium-Mounting-Spirit-Bubble-circular/dp/B00KPAC9QS>>. (Year: 2014).*

Crybaby Cornhole, World's First Cornhole Board Stabilizer, retrieved from <https://crybabycornhole.com>, Jan. 4, 2021, pp. 1-8.

International Application No. PCT/US 2021/038634, International Search Report and Written Opinion dated Oct. 7, 2021, 8 pages.

Level Developments "2 Axis Levels", Available on leveldevelopments.com, announced Year 2015 per <https://archive.org/web/>, <https://www.leveldevelopments.com/products/instrument-levels/2-axis-levels/>, 6 pages.

Amazon, "Silverline 250450 Mini Level 2-Way", available on Amazon.co.uk, date first available May 1, 2007. <https://www.amazon.co.uk/Silverline-250450-TwoMini-Level/dp/B001JJSVFM>, 2 pages.

* cited by examiner

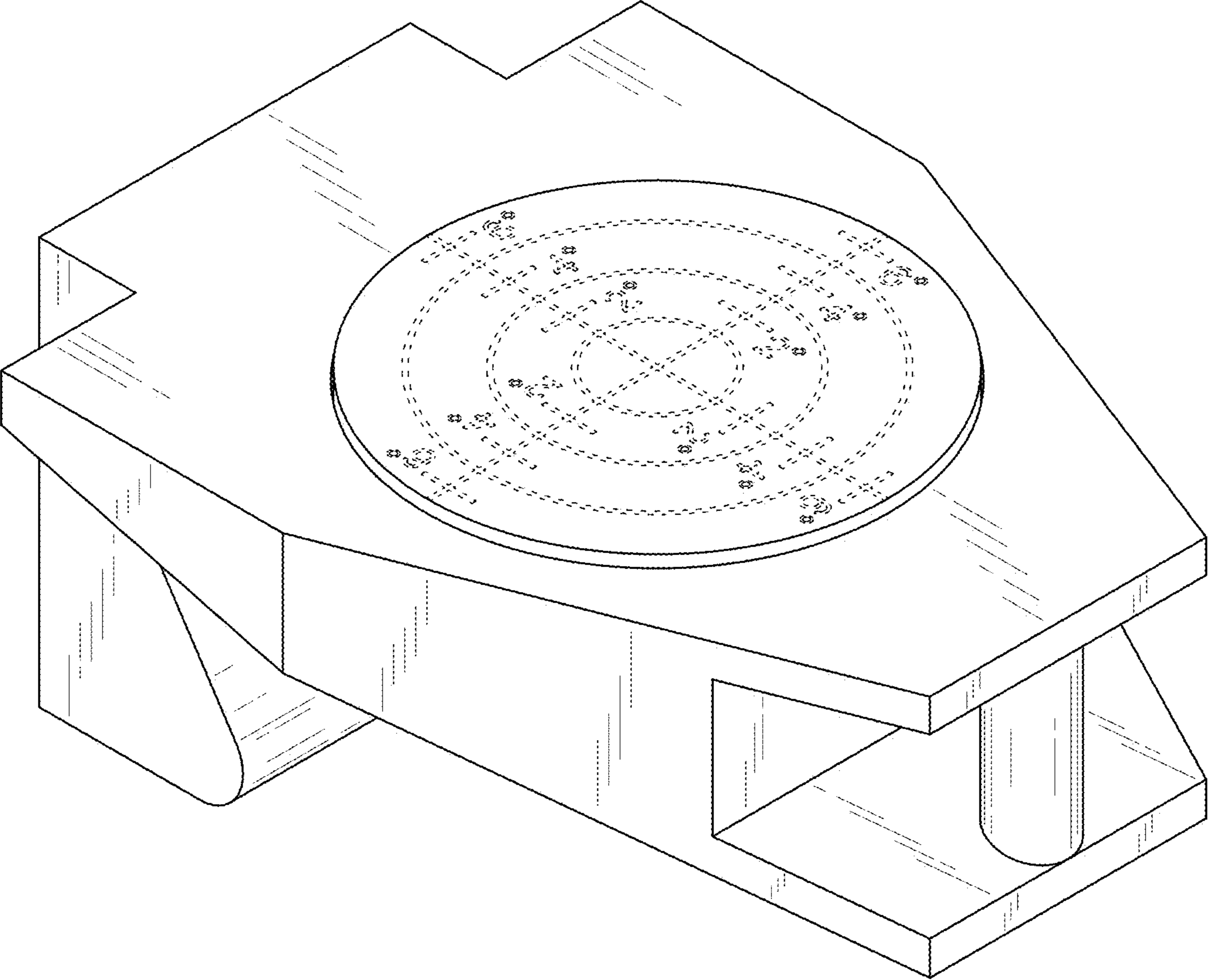


FIG. 1

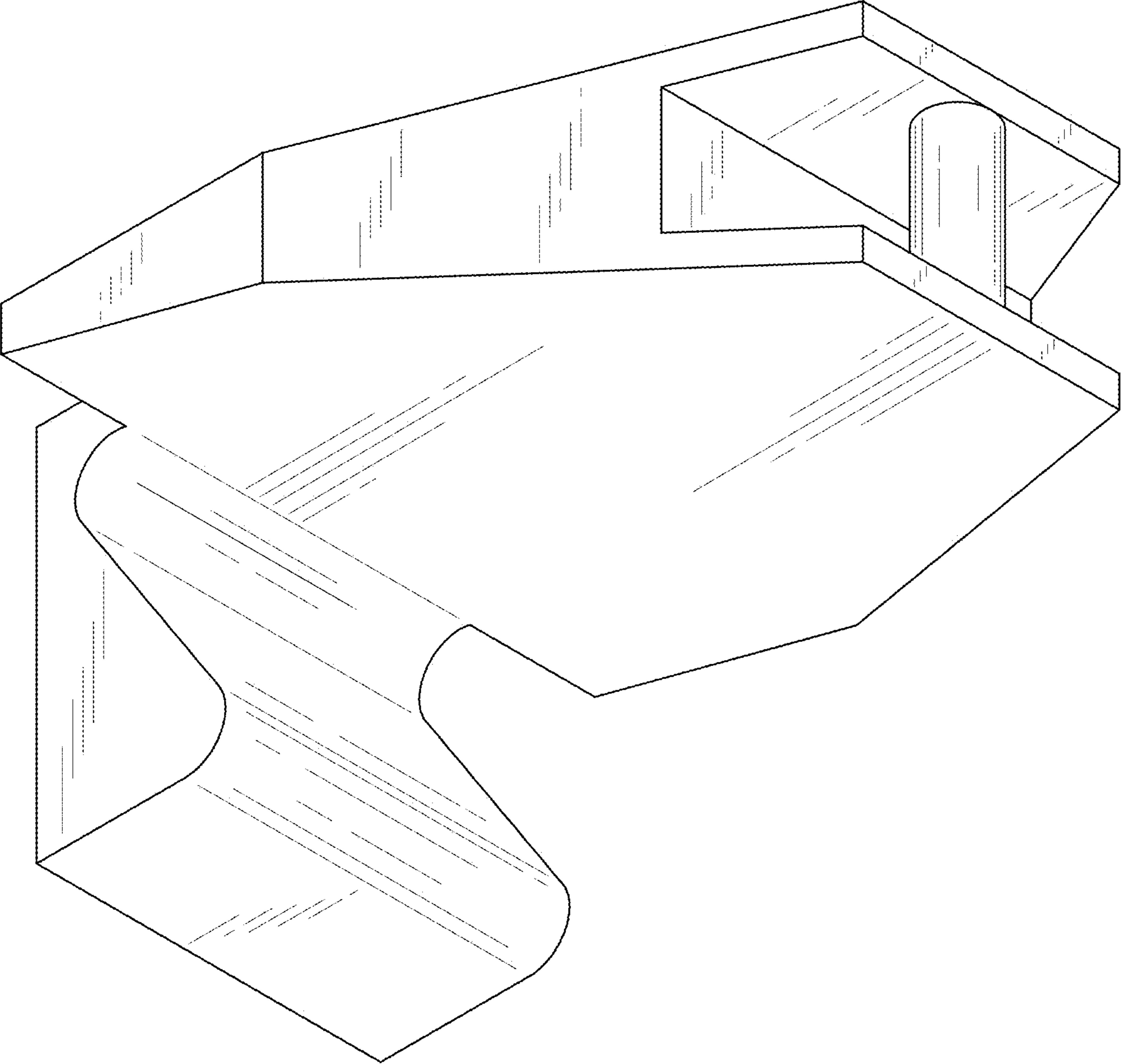


FIG. 2

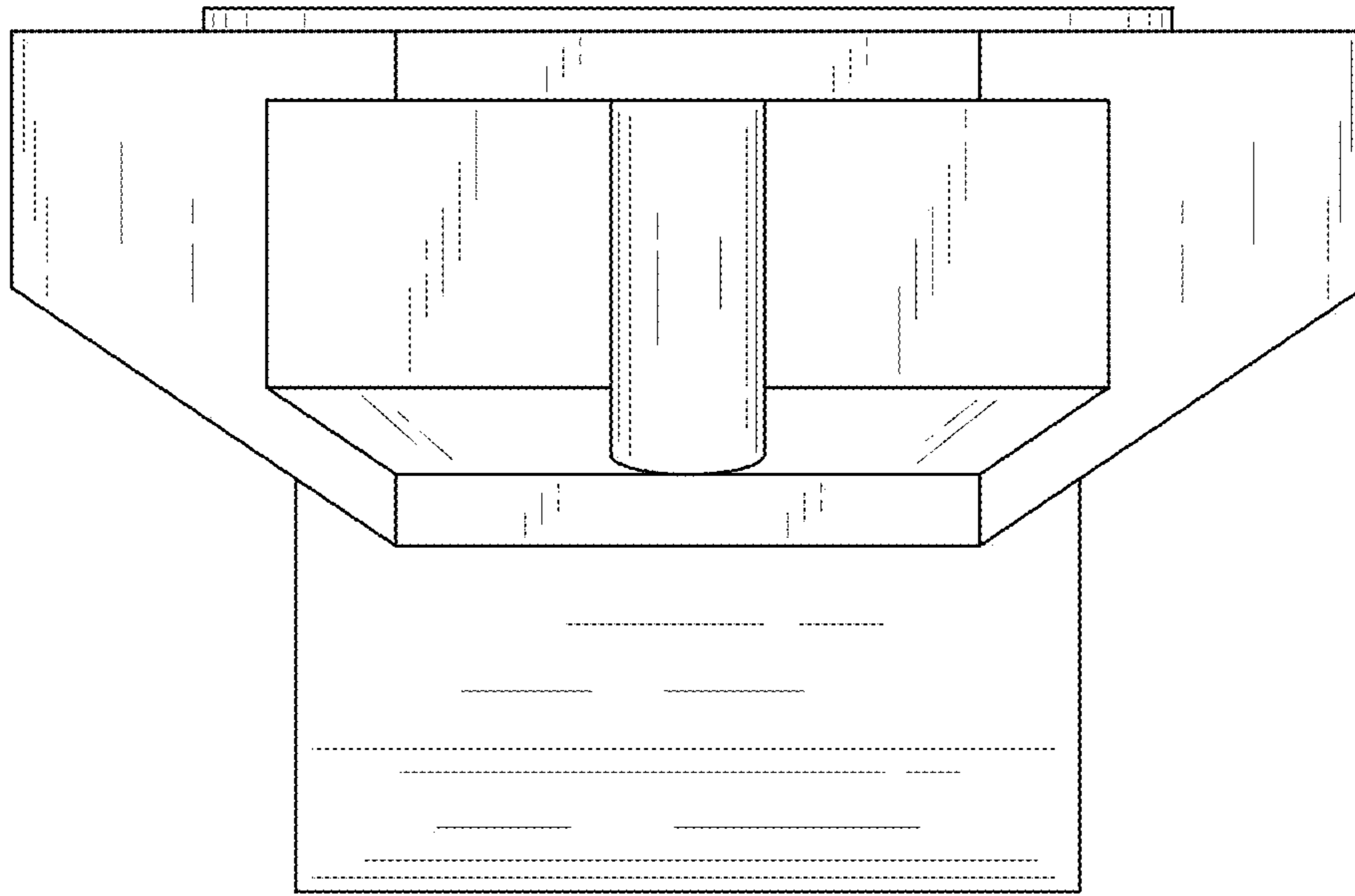


FIG. 3

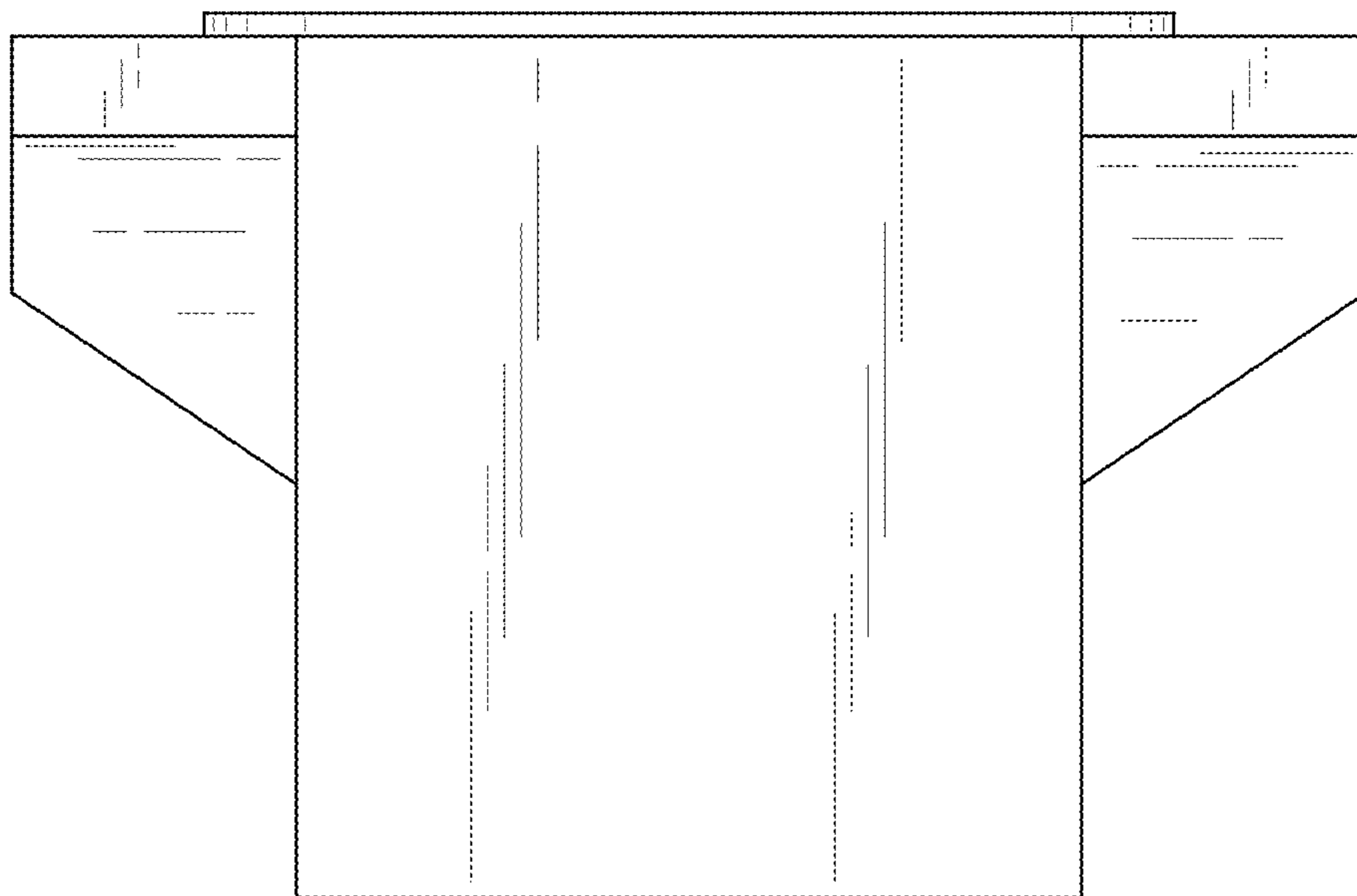


FIG. 4

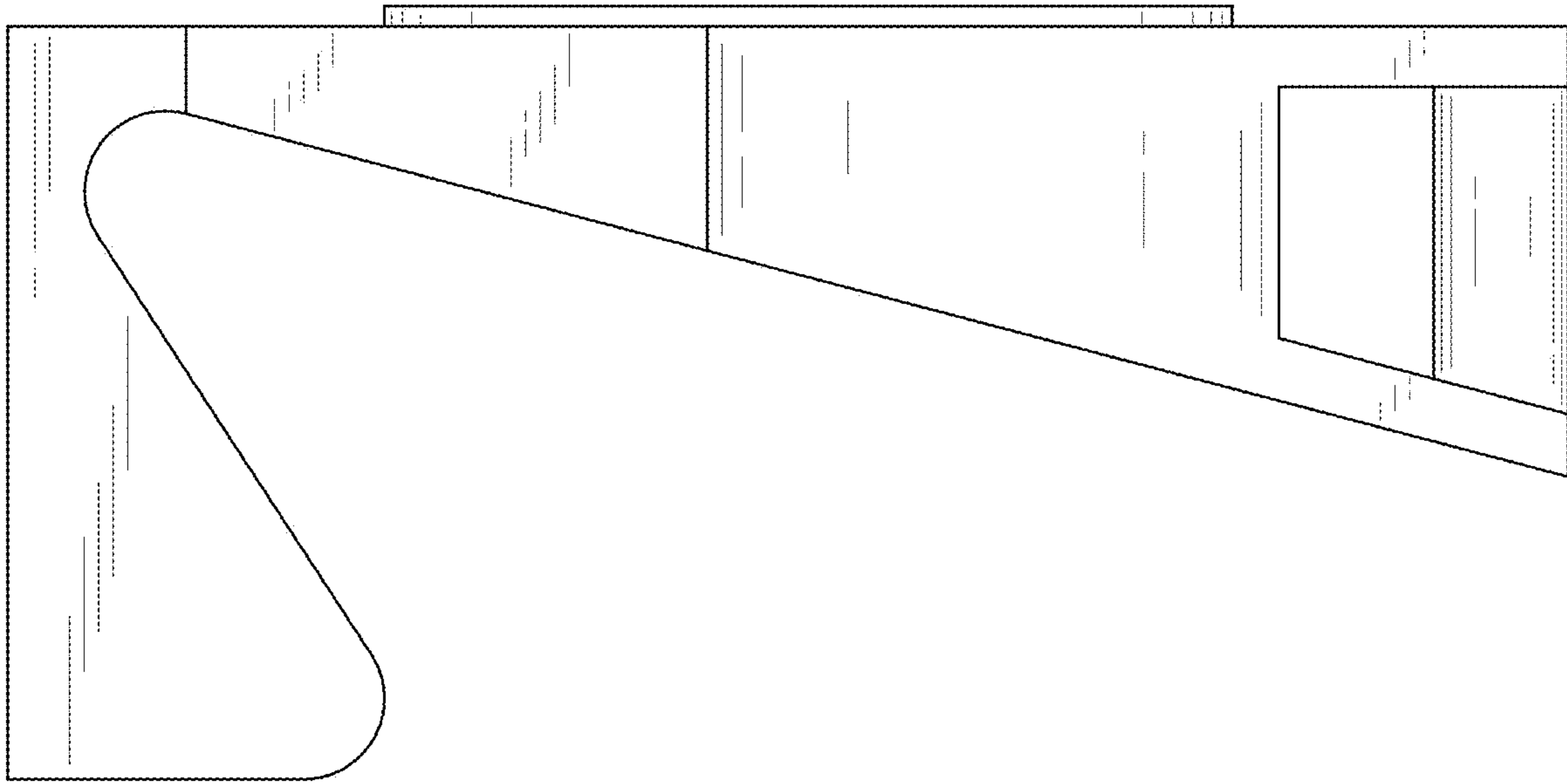


FIG. 5

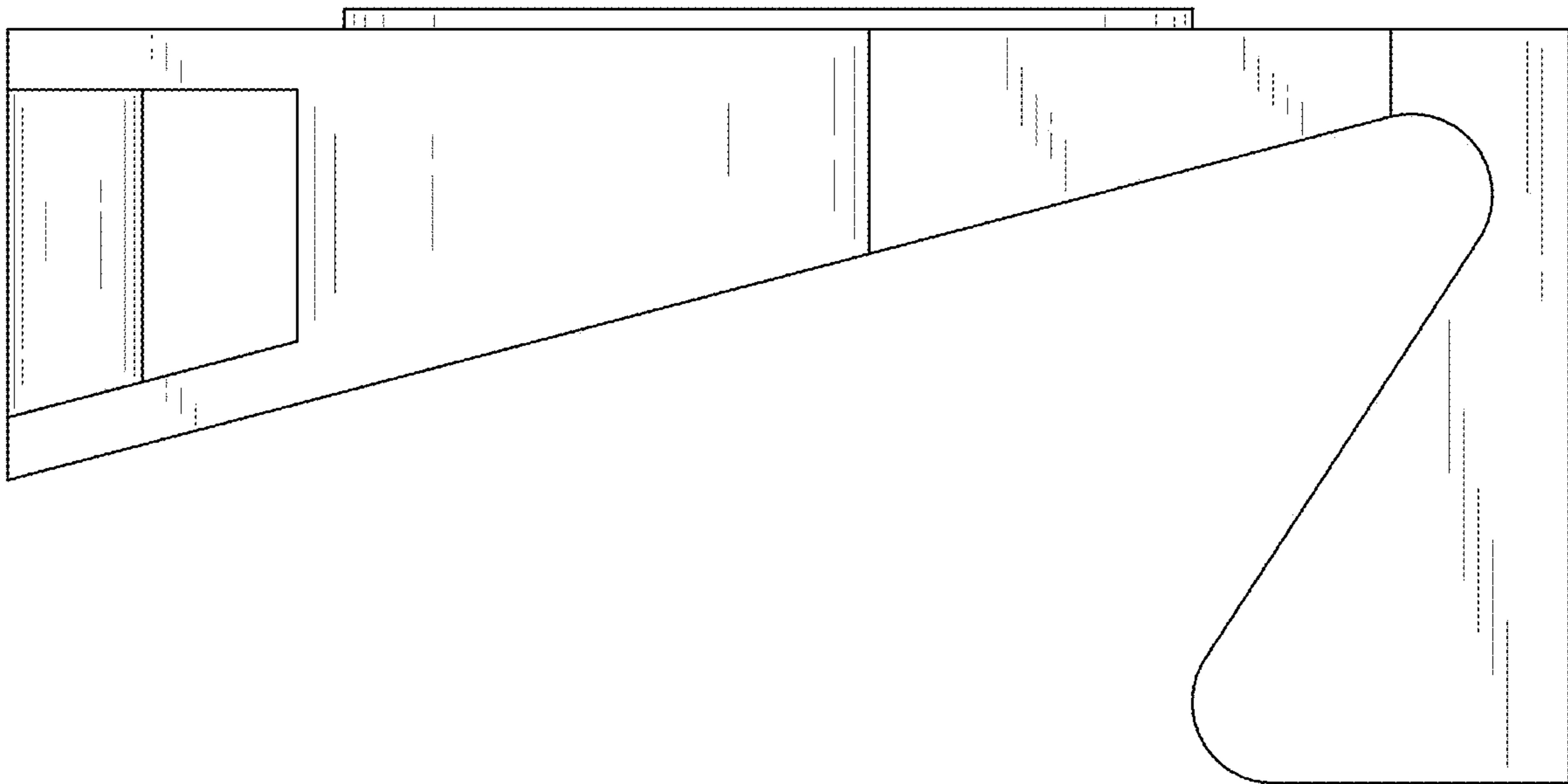


FIG. 6

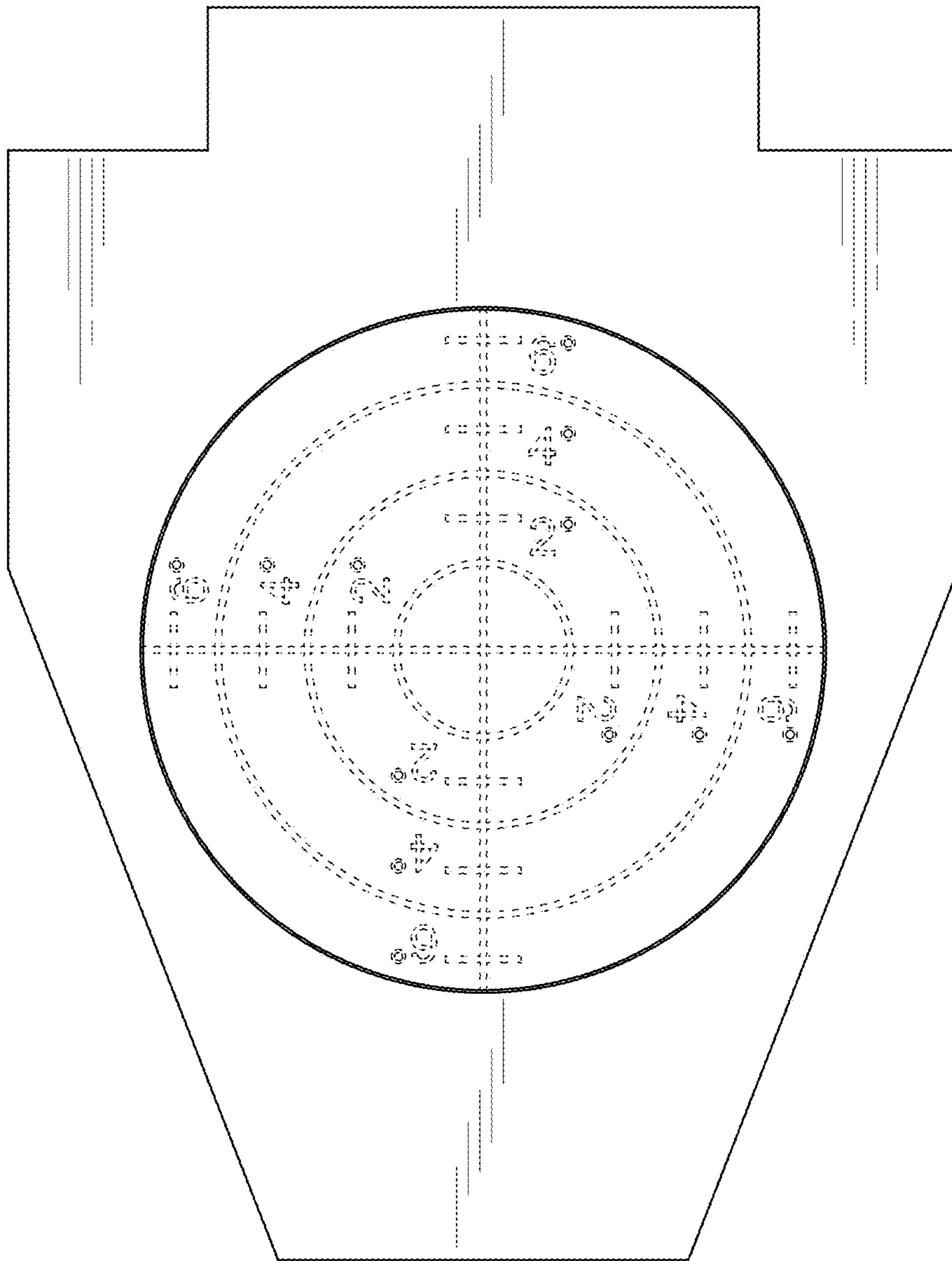


FIG. 7

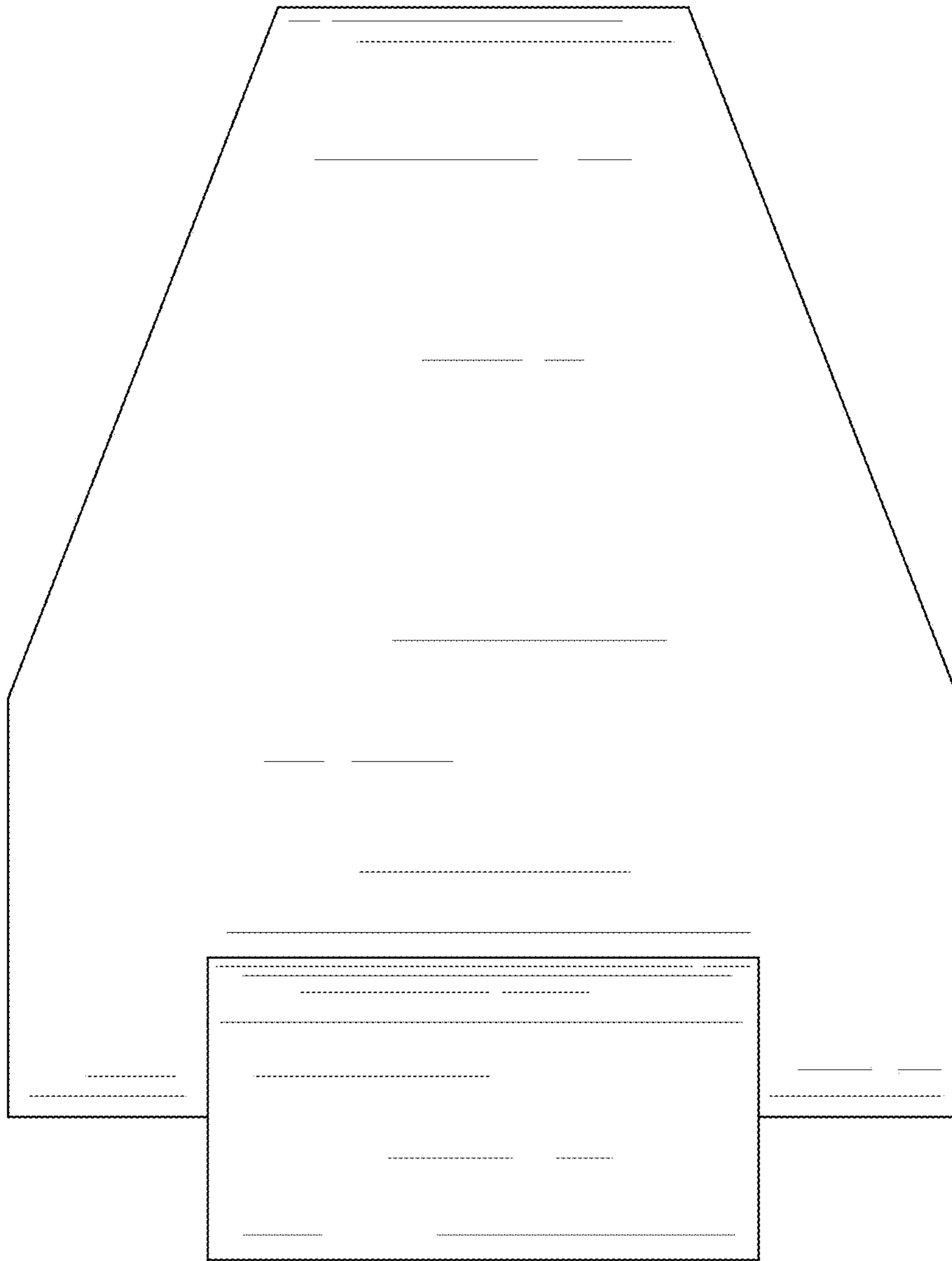


FIG. 8