



US00D988153S

(12) **United States Design Patent**  
**Selic**

(10) **Patent No.:** **US D988,153 S**  
(45) **Date of Patent:** **\*\* Jun. 6, 2023**

(54) **CLAMPING AND LOCATING ANGLE**

(71) Applicant: **Bernd Siegmund GmbH**,  
Oberottmarshausen (DE)

(72) Inventor: **Mario Selic**, Augsburg (DE)

(73) Assignee: **Bernd Siegmund GmbH**,  
Oberottmarshausen (DE)

(\*\*) Term: **15 Years**

(21) Appl. No.: **29/779,092**

(22) Filed: **Apr. 16, 2021**

(30) **Foreign Application Priority Data**

Oct. 17, 2020	(EM)	008202170-0005
Oct. 17, 2020	(EM)	008202170-0006
Oct. 17, 2020	(EM)	008202170-0009
Oct. 17, 2020	(EM)	008202170-0010

(51) **LOC (14) Cl.** ..... **10-04**

(52) **U.S. Cl.**  
USPC ..... **D10/64; D10/65**

(58) **Field of Classification Search**  
USPC ..... D10/62, 64, 65, 71  
CPC ..... B43L 7/005; G01B 1/00  
See application file for complete search history.

(56) **References Cited**

**U.S. PATENT DOCUMENTS**

D289,981 S *	5/1987	Porter	.....	D10/64
D659,031 S *	5/2012	MacKay	.....	D10/65

\* cited by examiner

*Primary Examiner* — Antoine Duval Davis

(74) *Attorney, Agent, or Firm* — Henry M. Feiereisen  
LLC

(57) **CLAIM**

The ornamental design for a clamping and locating angle, as shown and described.

**DESCRIPTION**

FIG. 1 is a front, left side, top perspective view of a first embodiment of clamping and locating angle, showing my new design;  
 FIG. 2 is a front elevation view thereof;  
 FIG. 3 is a right side elevation view thereof;  
 FIG. 4 is a rear elevation view thereof;  
 FIG. 5 is a left side elevation view thereof;  
 FIG. 6 is a top plan view thereof;  
 FIG. 7 is a bottom plan view thereof;  
 FIG. 8 left side, rear, top perspective view thereof; and  
 FIG. 9 right side, bottom, front perspective view thereof;  
 FIG. 10 is a right side, front, top perspective view of a second embodiment of a clamping and locating angle, showing my new design;  
 FIG. 11 is a front elevation view thereof;  
 FIG. 12 is a right side elevation view thereof;  
 FIG. 13 is a rear elevation view thereof;  
 FIG. 14 is a left side elevation view thereof;  
 FIG. 15 is a top plan view thereof;  
 FIG. 16 is a bottom plan view thereof;  
 FIG. 17 is a left side, rear, top perspective view thereof; and,  
 FIG. 18 is a right side, bottom, front perspective view thereof.

**1 Claim, 18 Drawing Sheets**

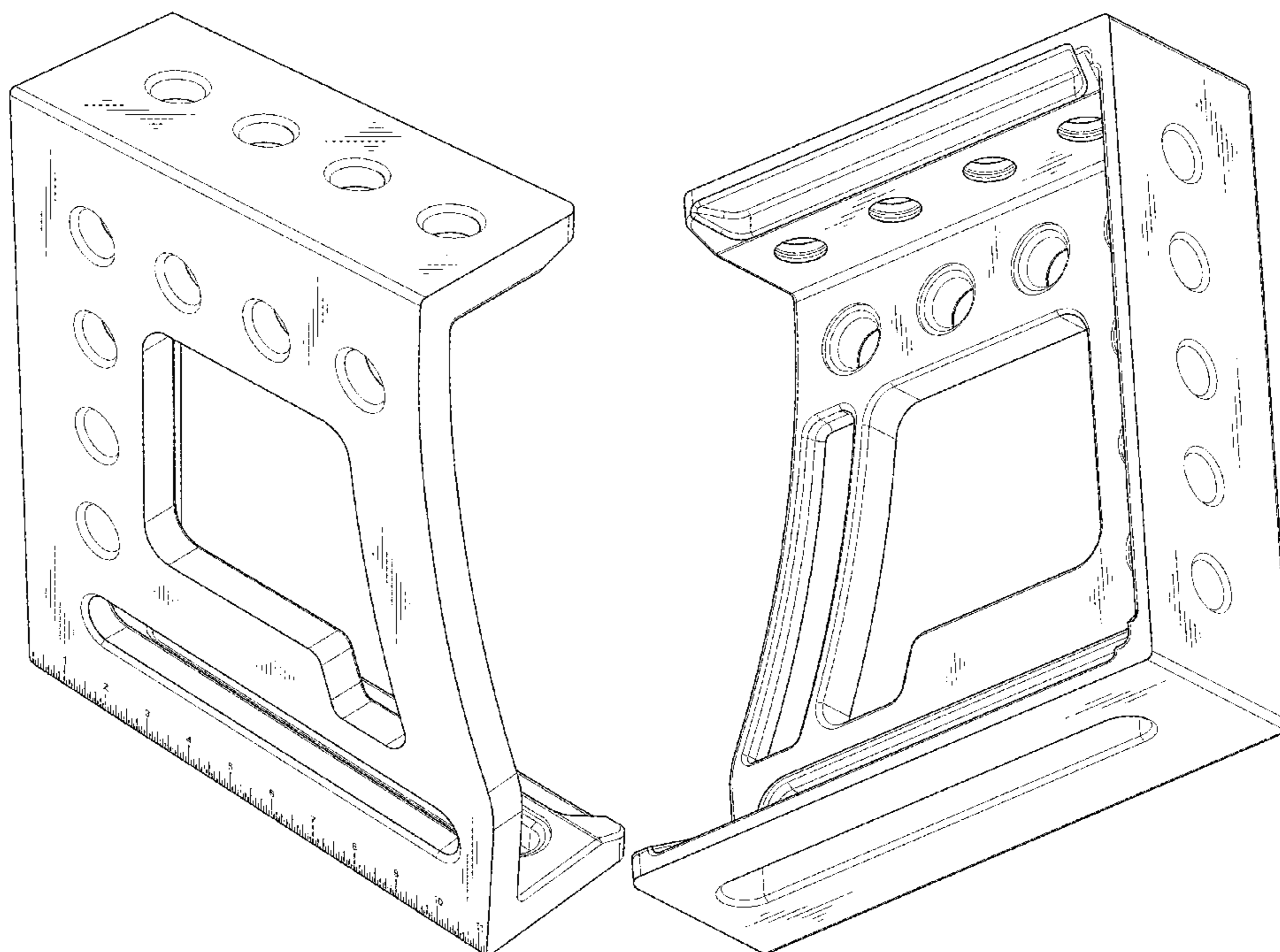


FIG. 1

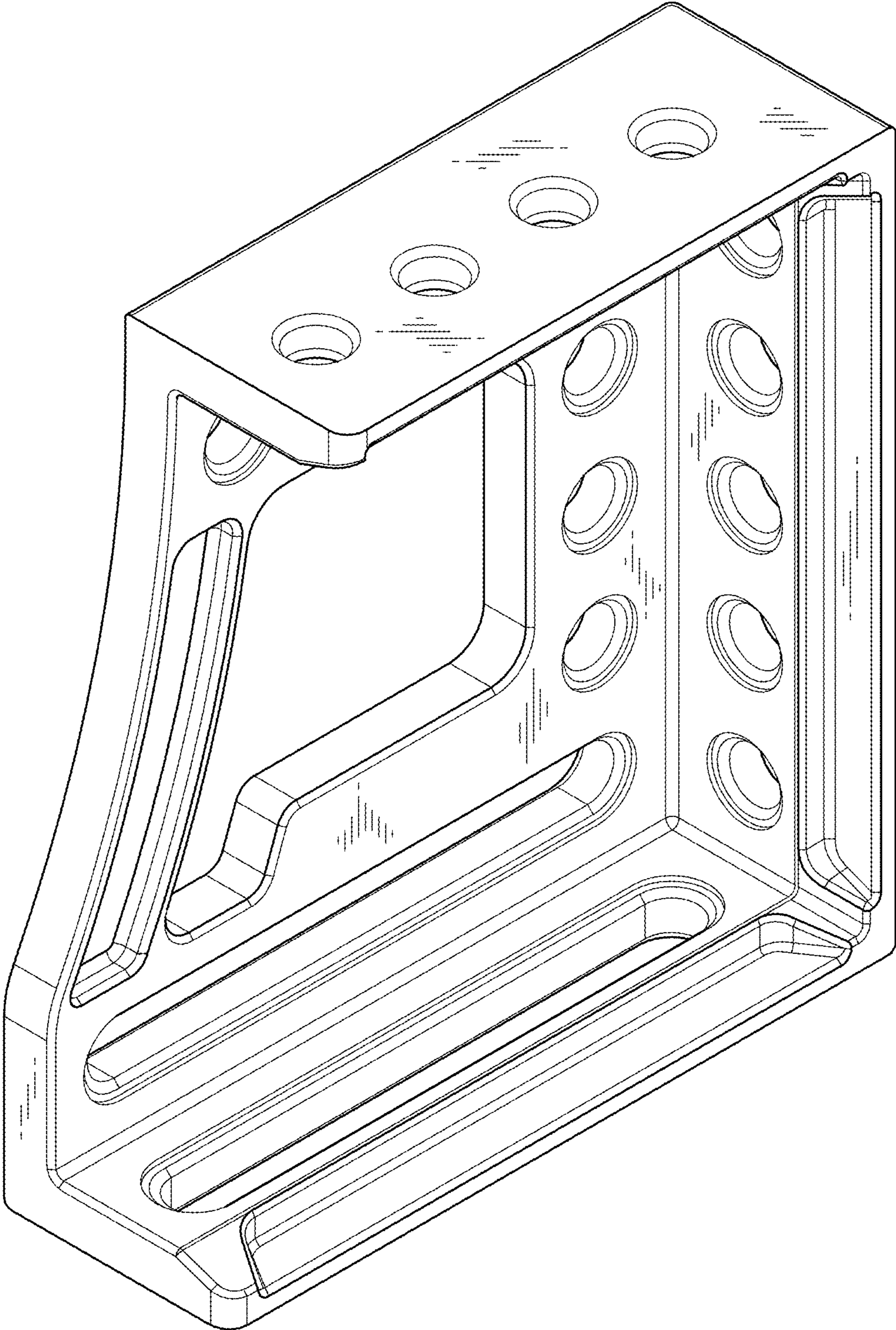
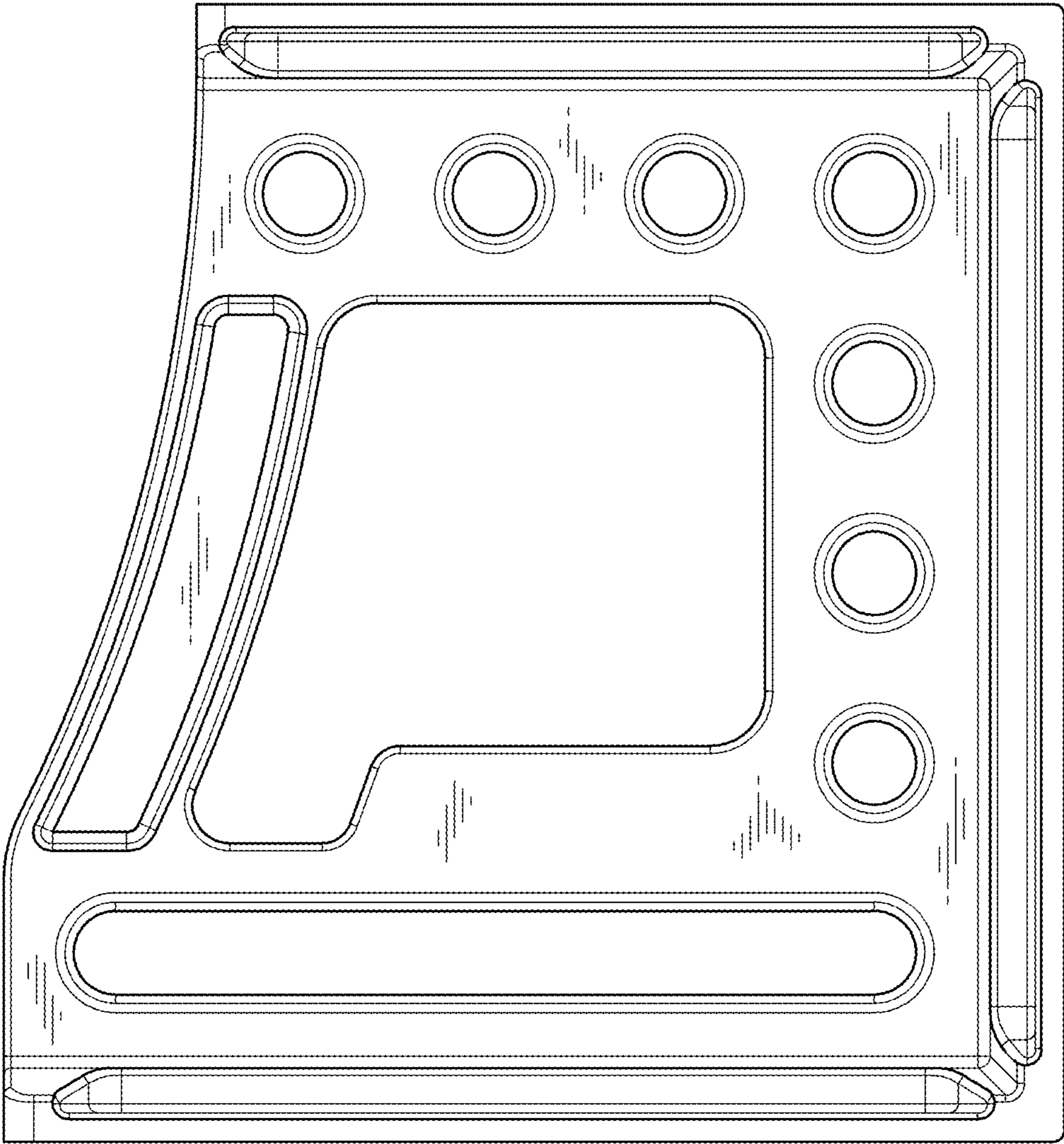


FIG. 2



*FIG. 3*

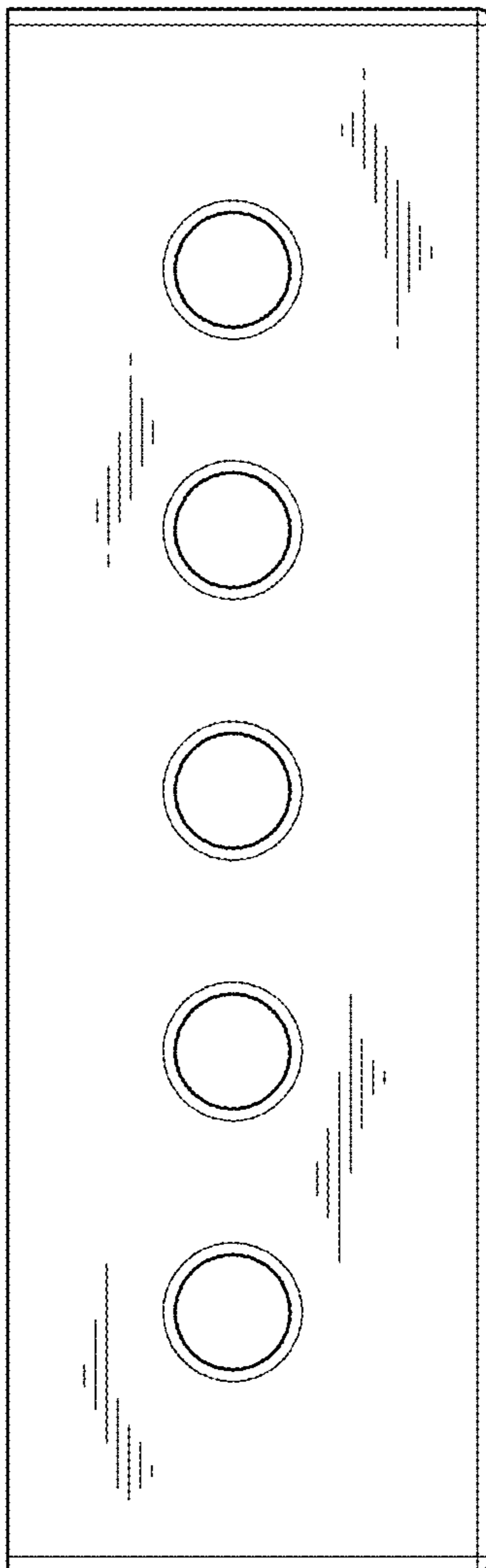
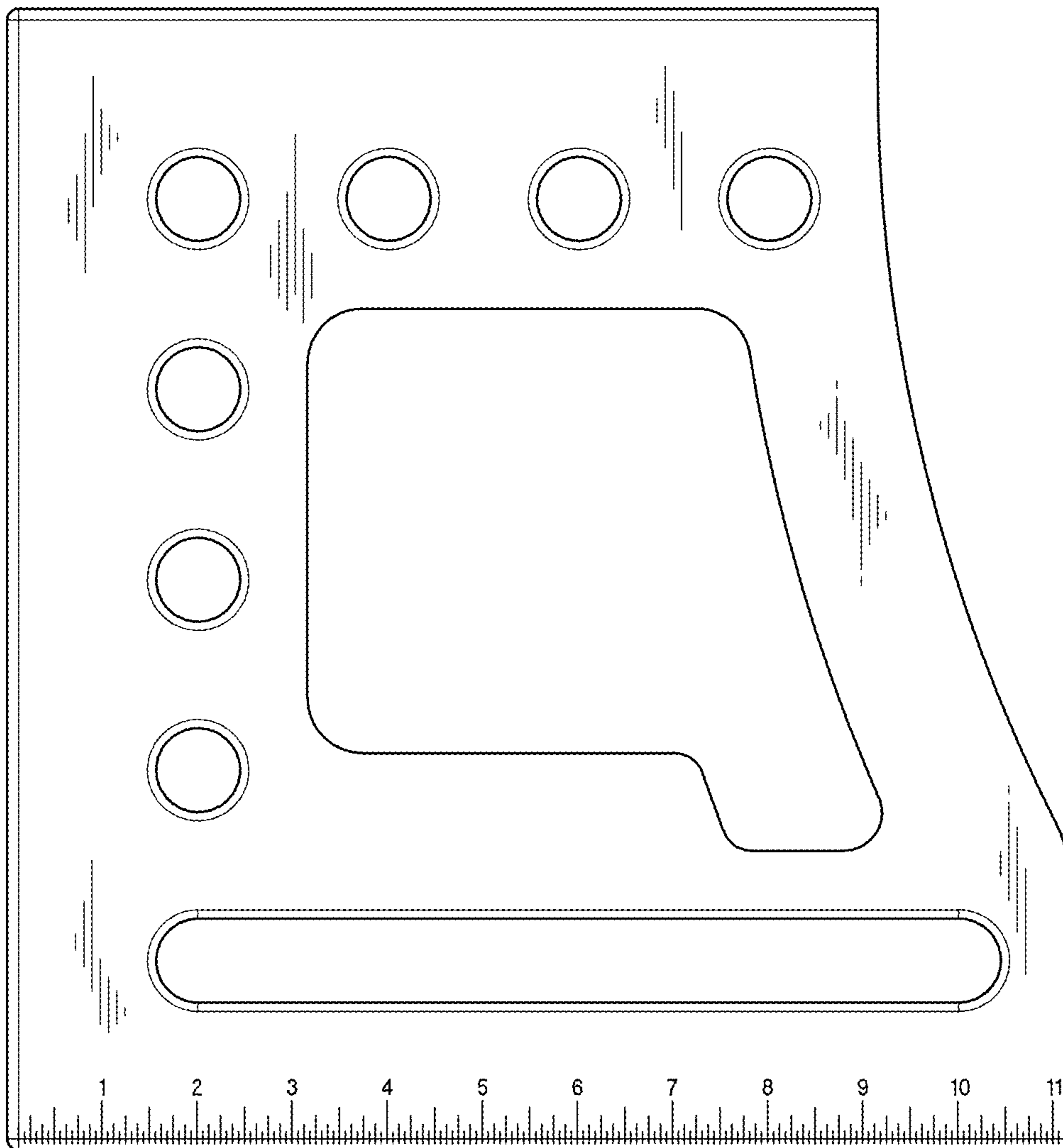
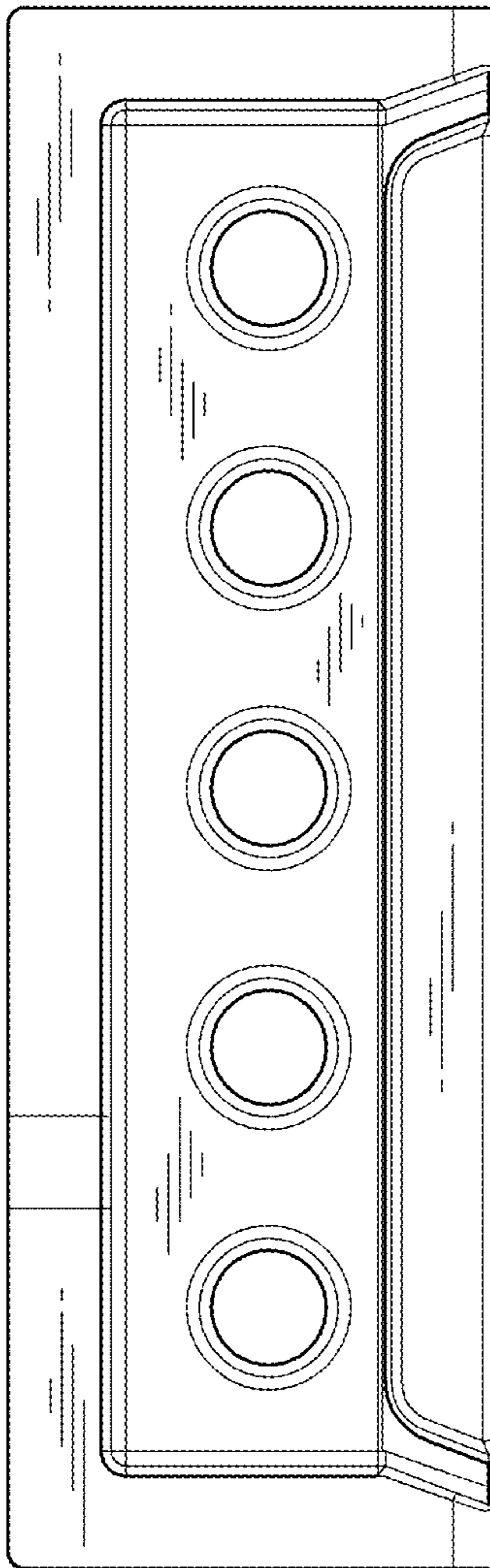


FIG. 4



*FIG. 5*



*FIG. 6*

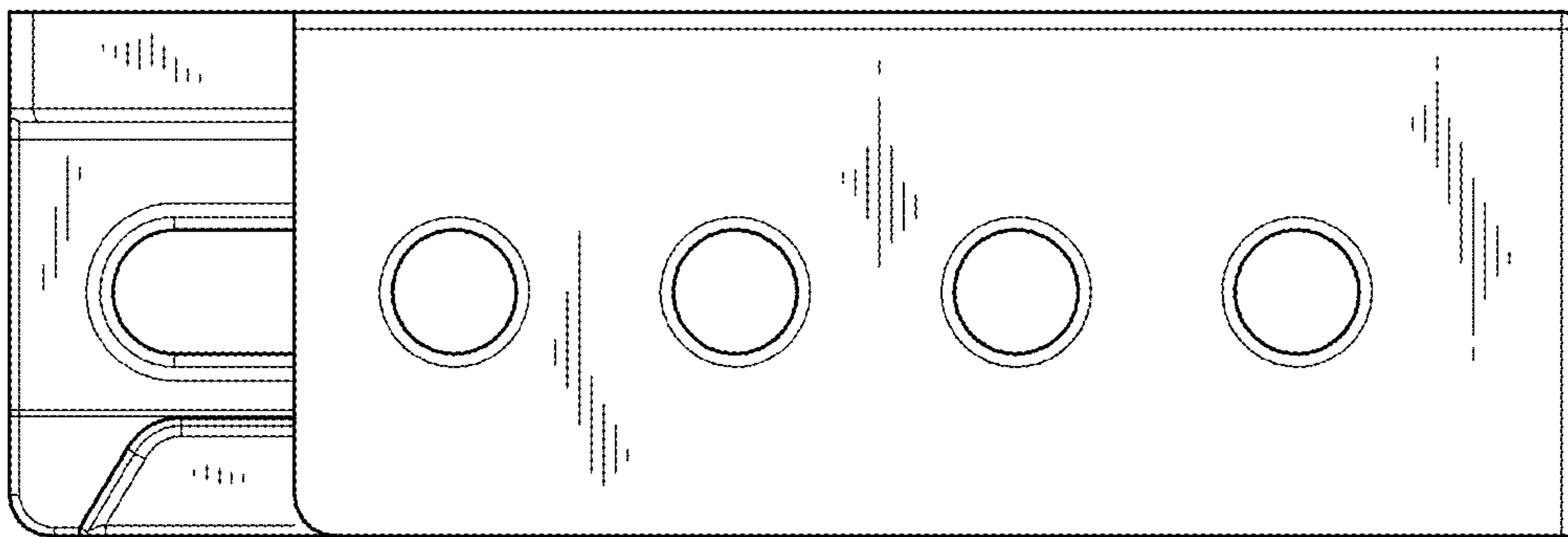


FIG. 7

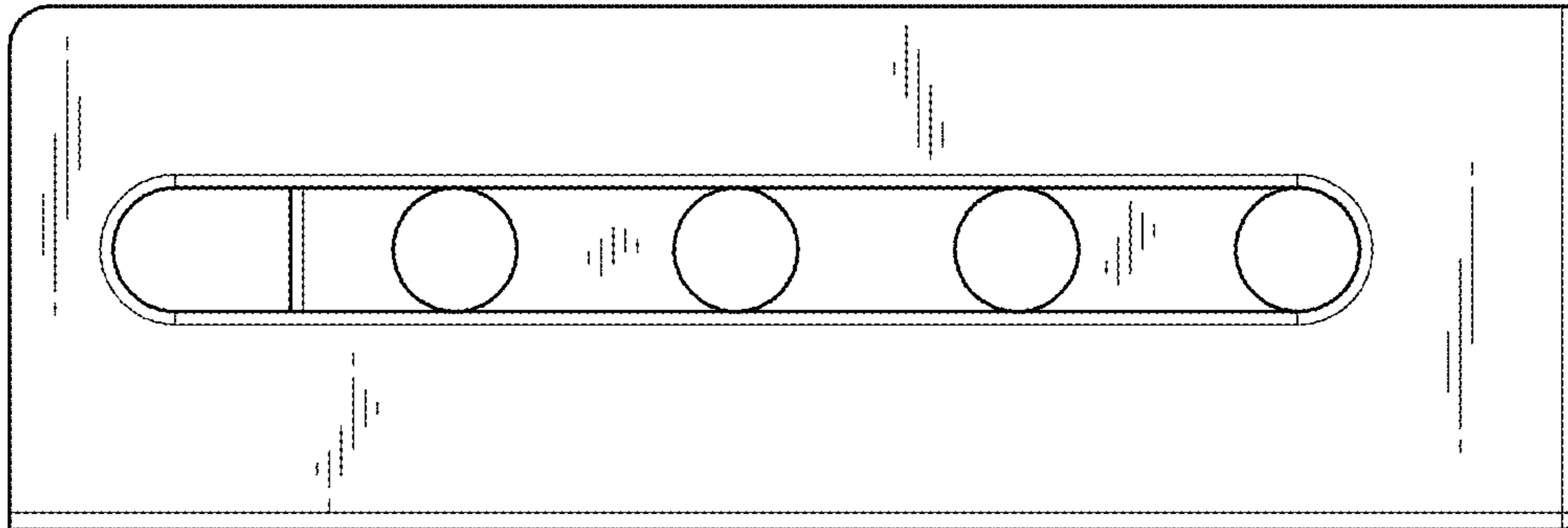




FIG. 8

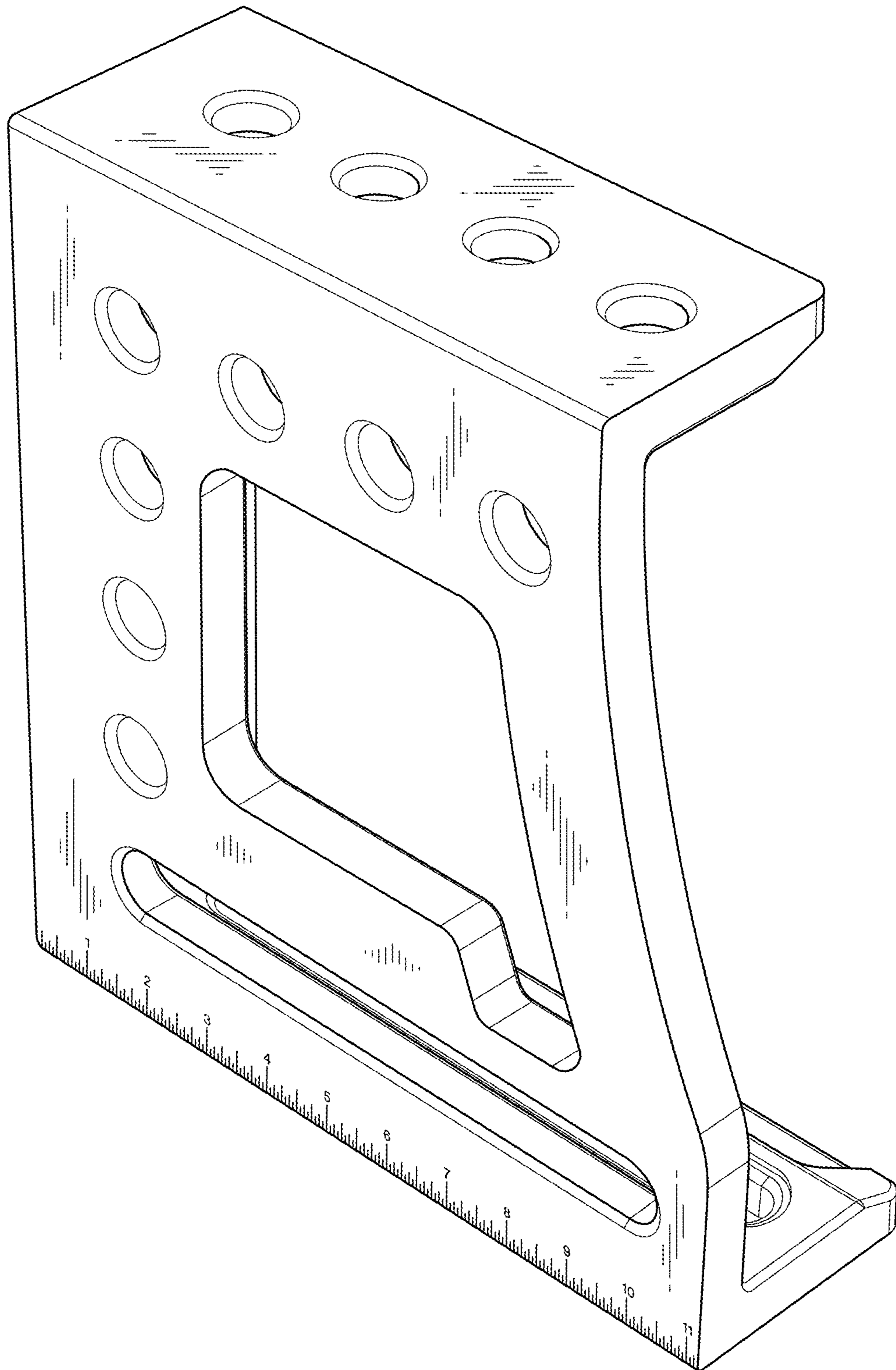


FIG. 9

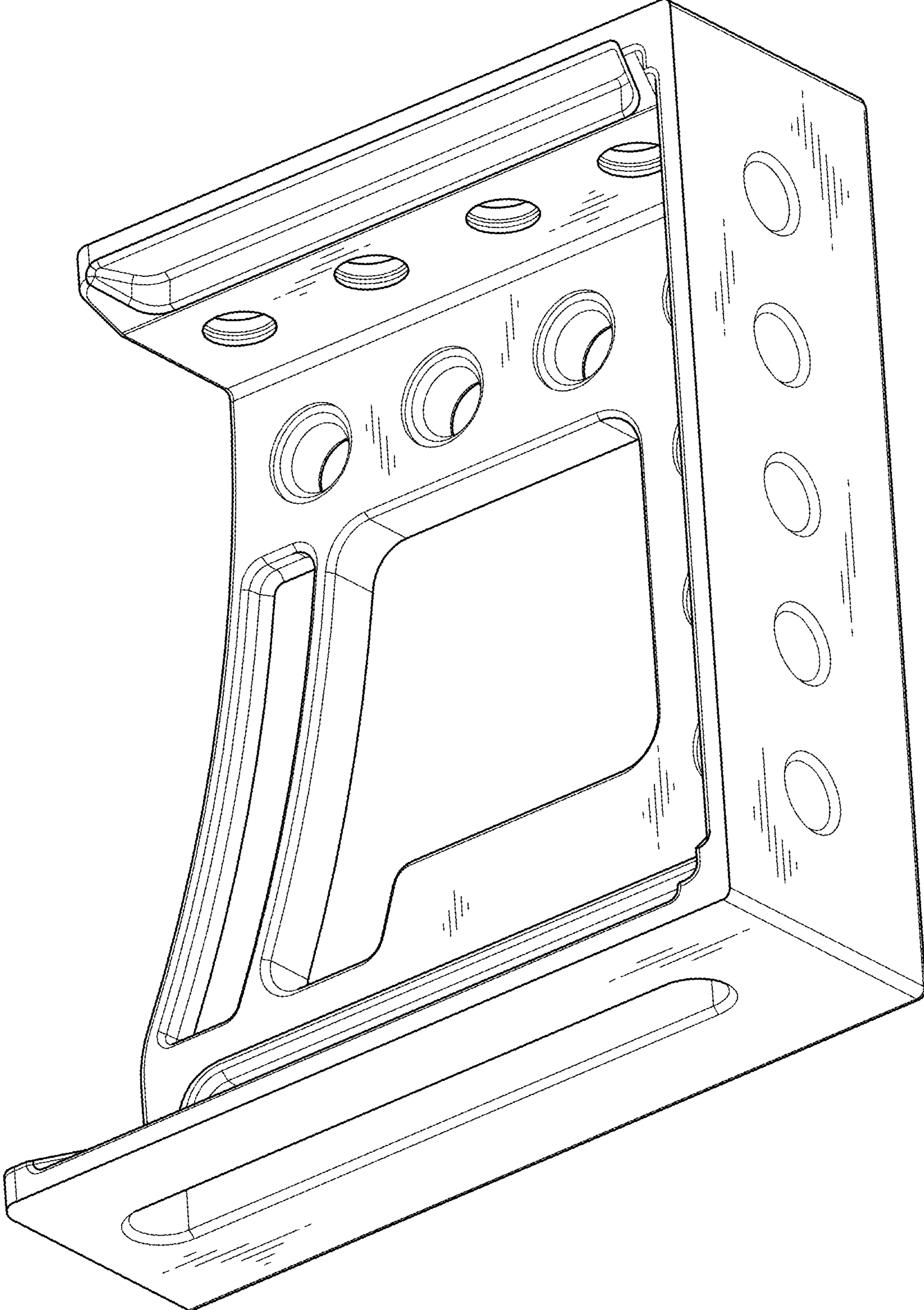


FIG. 10

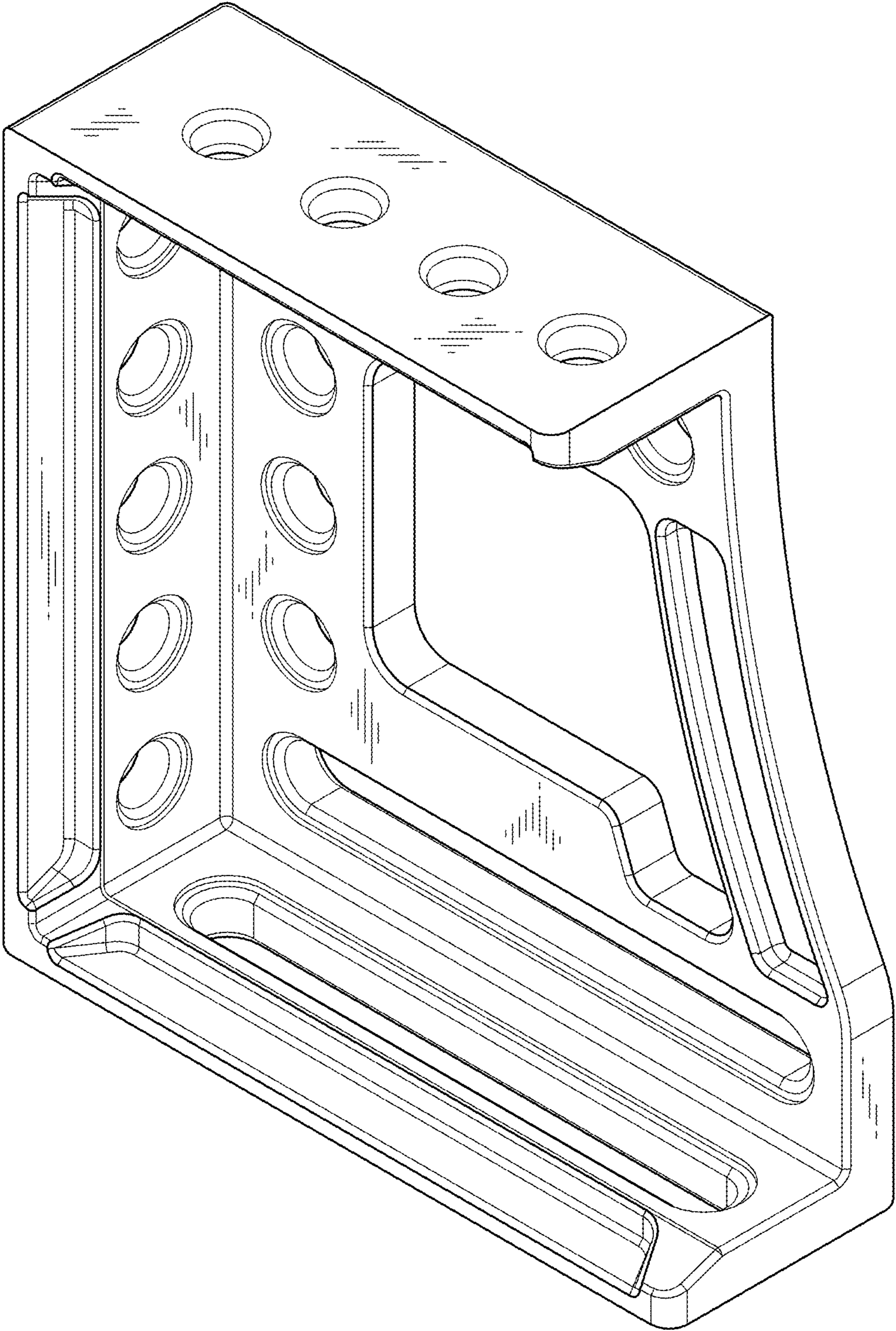
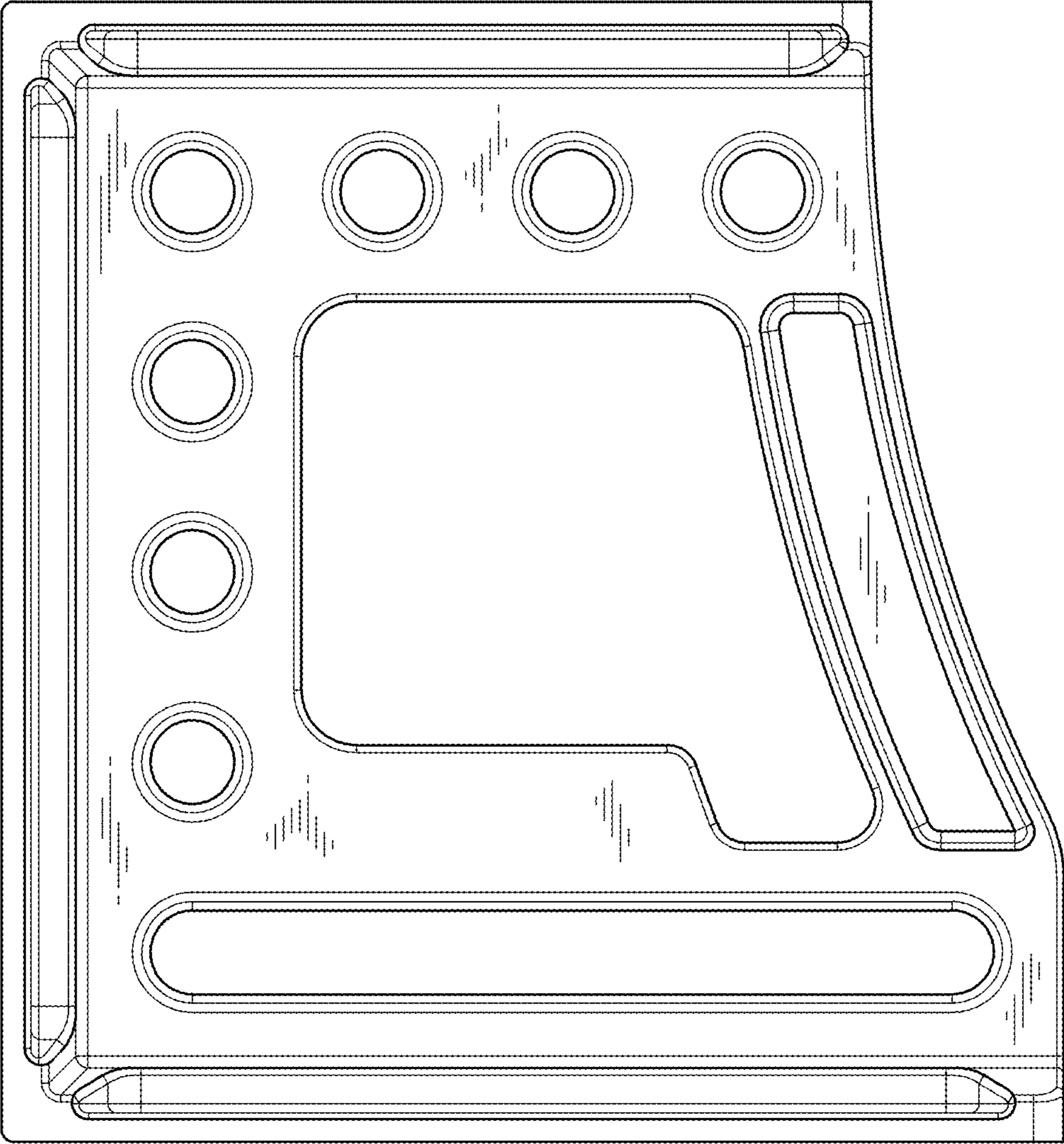


FIG. 11



*FIG. 12*

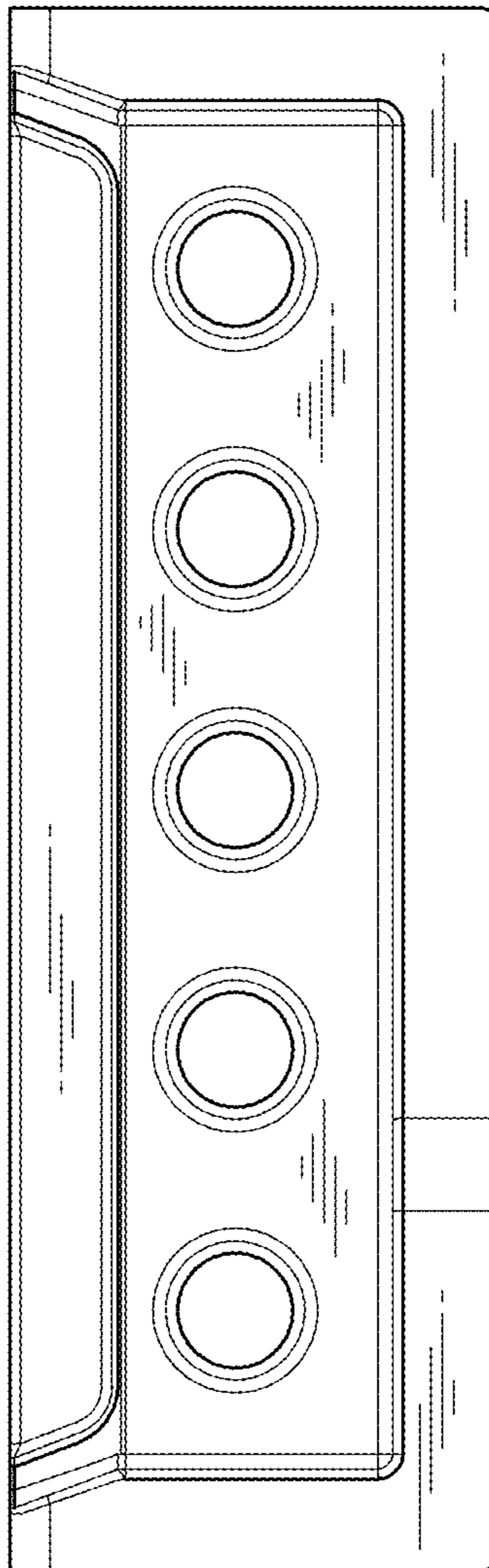
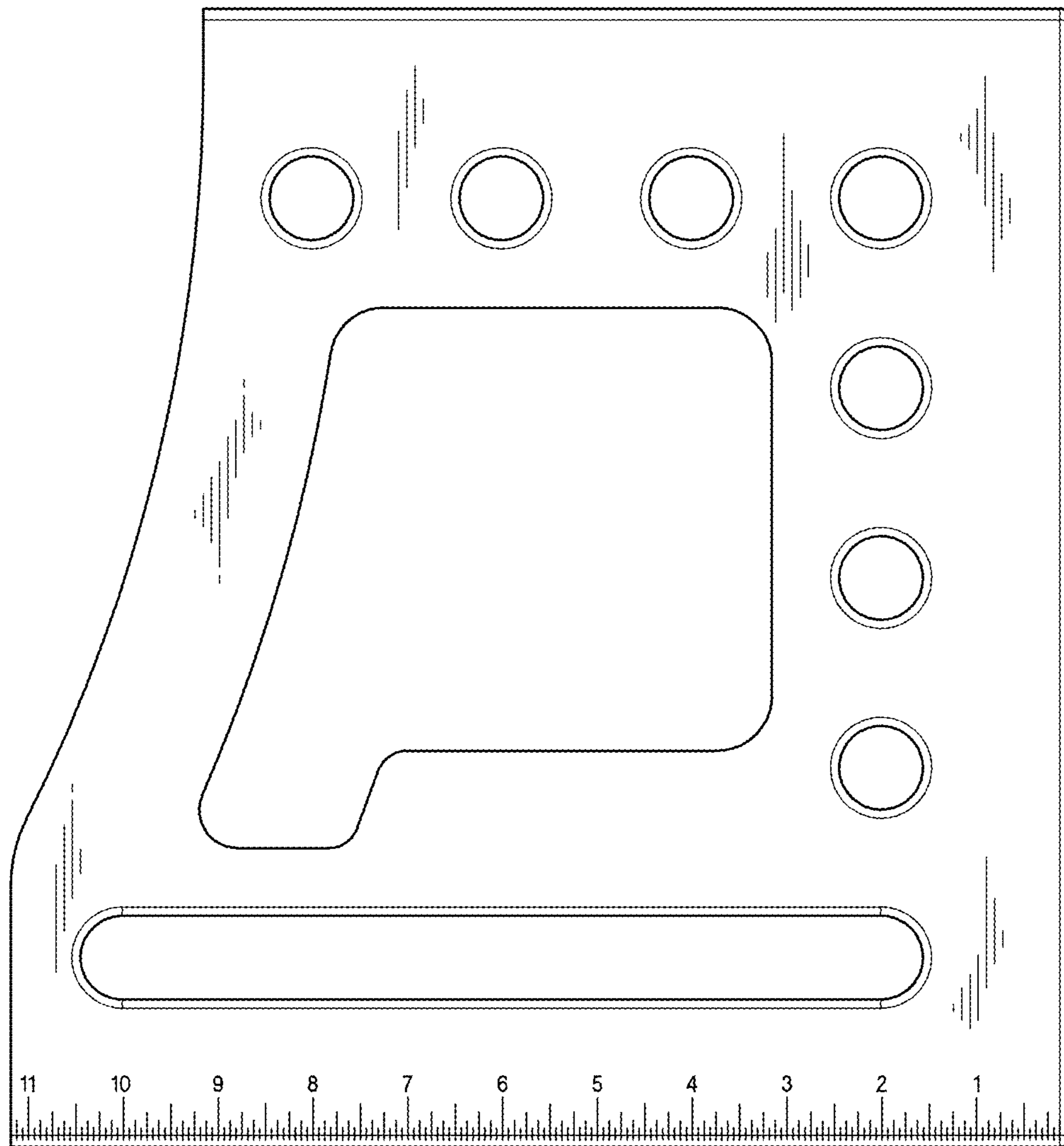


FIG. 13



*FIG. 14*

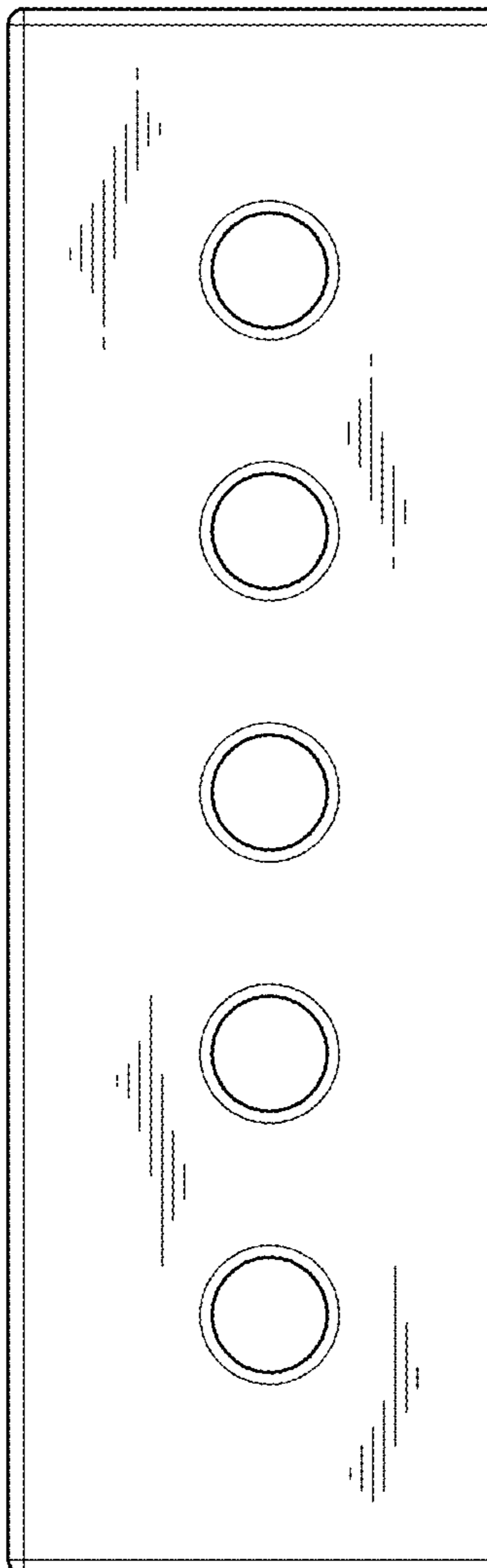
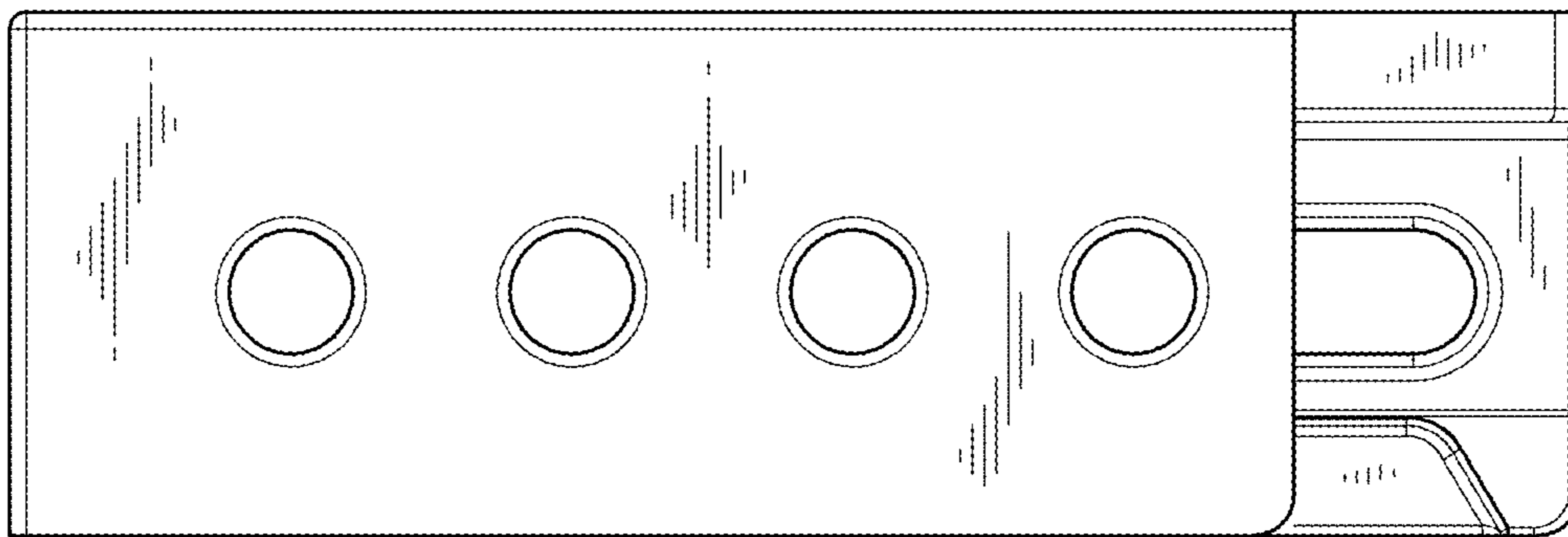


FIG. 15





*FIG. 16*

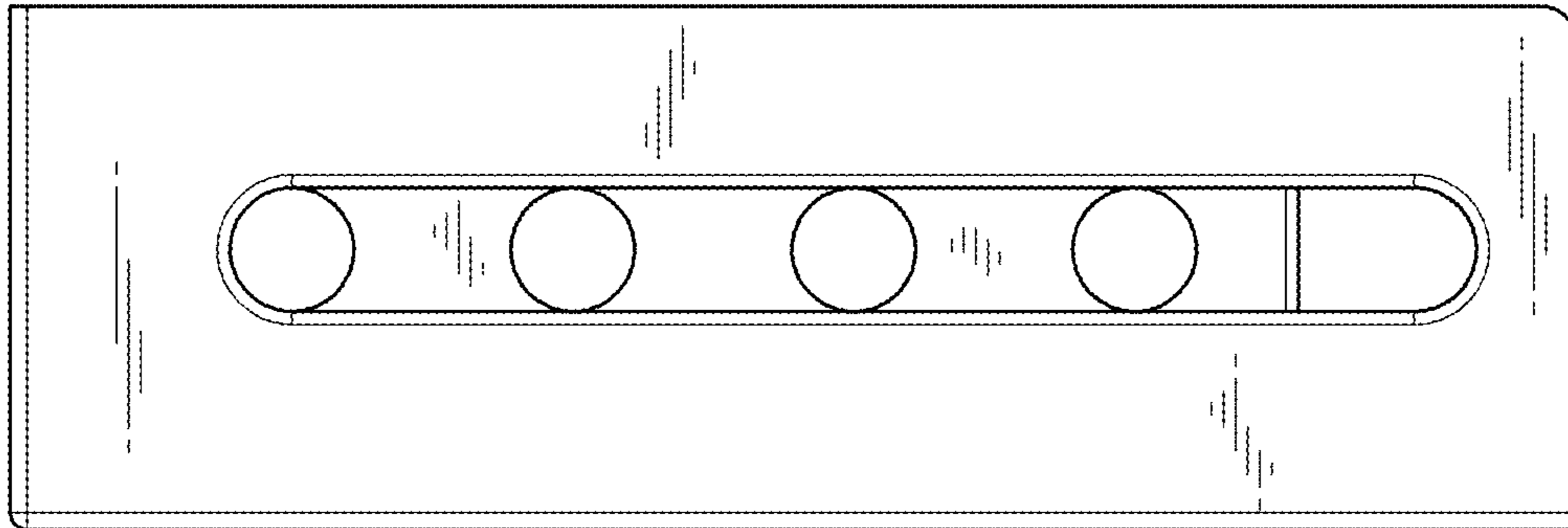


FIG. 17

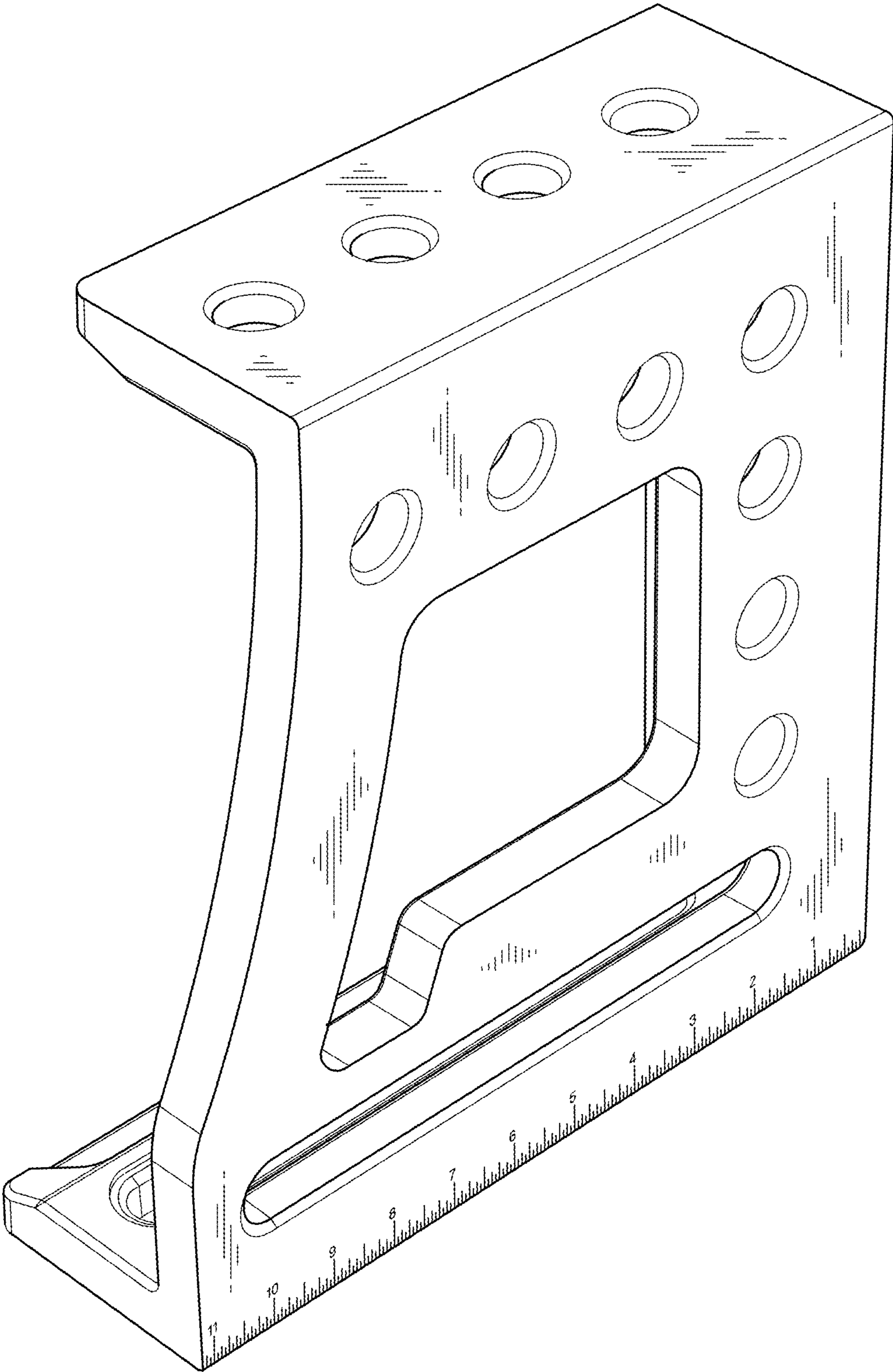


FIG. 18

