



US00D988152S

(12) **United States Design Patent** (10) **Patent No.:** **US D988,152 S**  
**Selic** (45) **Date of Patent:** **\*\* Jun. 6, 2023**

(54) **CLAMPING AND LOCATING ANGLE**

(71) Applicant: **Bernd Siegmund GmbH,**  
Oberottmarshausen (DE)

(72) Inventor: **Mario Selic,** Augsburg (DE)

(73) Assignee: **Bernd Siegmund GmbH,**  
Oberottmarshausen (DE)

(\*\*) Term: **15 Years**

(21) Appl. No.: **29/779,090**

(22) Filed: **Apr. 16, 2021**

(30) **Foreign Application Priority Data**

Oct. 17, 2020	(EM)	008202170
Oct. 17, 2020	(EM)	008202170-0001
Oct. 17, 2020	(EM)	008202170-0002
Oct. 17, 2020	(EM)	008202170-0003
Oct. 17, 2020	(EM)	008202170-0004
Oct. 17, 2020	(EM)	008202170-0007
Oct. 17, 2020	(EM)	008202170-0008
Oct. 17, 2020	(EM)	008202170-0011
Oct. 17, 2020	(EM)	008202170-0012

(51) **LOC (14) Cl.** ..... **10-04**

(52) **U.S. Cl.**  
USPC ..... **D10/64; D10/65**

(58) **Field of Classification Search**  
USPC ..... D10/62, 64, 65, 71  
CPC ..... B43L 7/005; G01B 1/00  
See application file for complete search history.

(56) **References Cited**

U.S. PATENT DOCUMENTS

D289,981 S \* 5/1987 Porter ..... D10/64  
D659,031 S \* 5/2012 MacKay ..... D10/65

\* cited by examiner

*Primary Examiner* — Antoine Duval Davis  
(74) *Attorney, Agent, or Firm* — Henry M. Feiereisen  
LLC

(57) **CLAIM**

The ornamental design for a clamping and locating angle, as shown and described.

**DESCRIPTION**

FIG. 1 is a left side, front, top perspective view of a first embodiment of a clamping and locating angle, showing my new design;  
FIG. 2 is a front elevation view thereof;  
FIG. 3 is a right side elevation view thereof;  
FIG. 4 is a rear elevation view thereof;  
FIG. 5 is a left side elevation view thereof;  
FIG. 6 is a top plan view thereof;  
FIG. 7 is a bottom plan view thereof;  
FIG. 8 is a rear, left side, top perspective view thereof; and  
FIG. 9 is a right side, front, bottom perspective view thereof;  
FIG. 10 is a right side, front, top perspective view of a second embodiment of a clamping and locating angle, showing my new design;  
FIG. 11 is a front elevation view thereof;  
FIG. 12 is a right side elevation view thereof;  
FIG. 13 is a rear elevation view thereof;  
FIG. 14 is a left side elevation view thereof;  
FIG. 15 is a top plan view thereof;  
FIG. 16 is a bottom plan view thereof;  
FIG. 17 is a right side, rear, top perspective view thereof; and,  
FIG. 18 is a left side, bottom, front perspective view thereof.

**1 Claim, 18 Drawing Sheets**

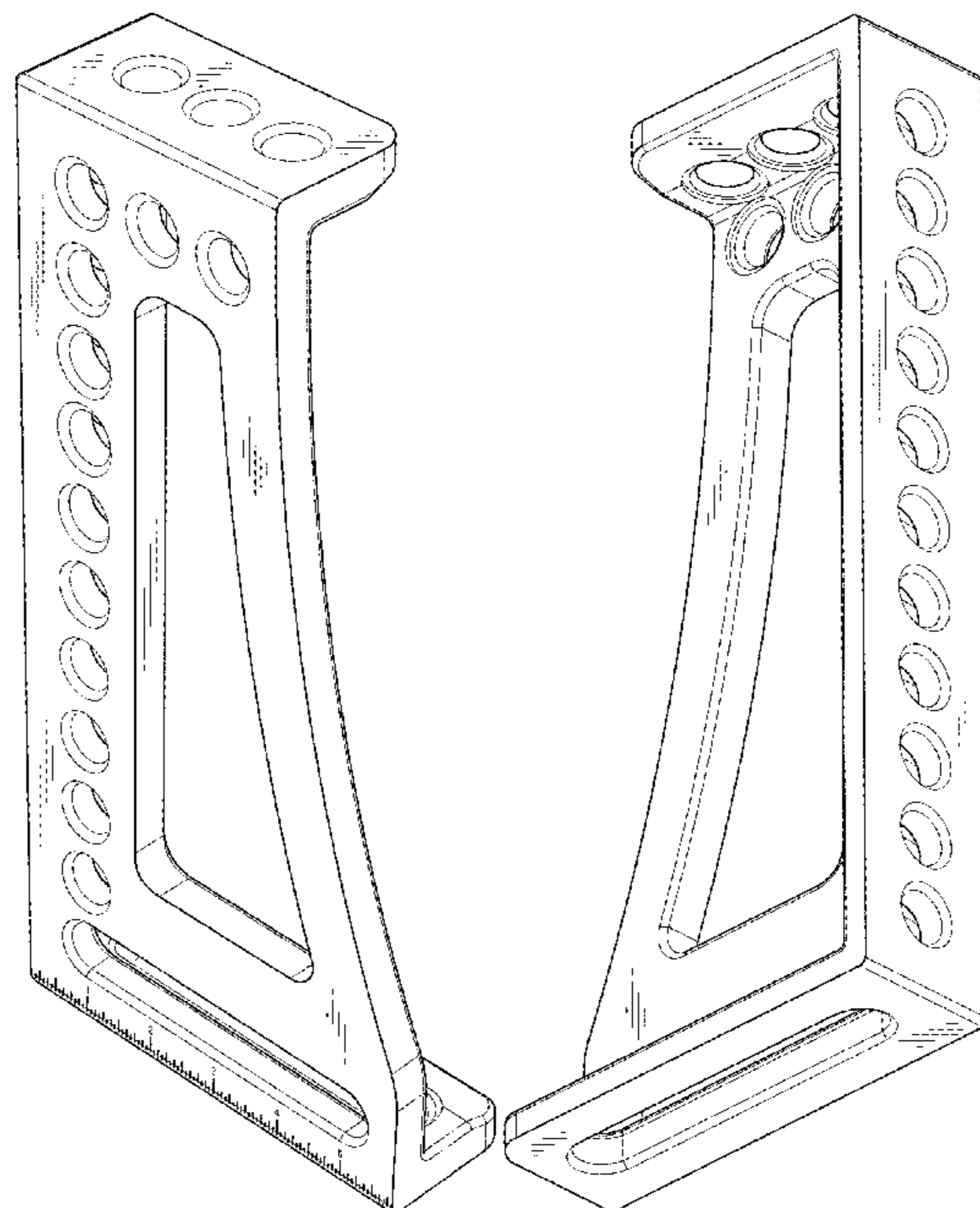


FIG. 1

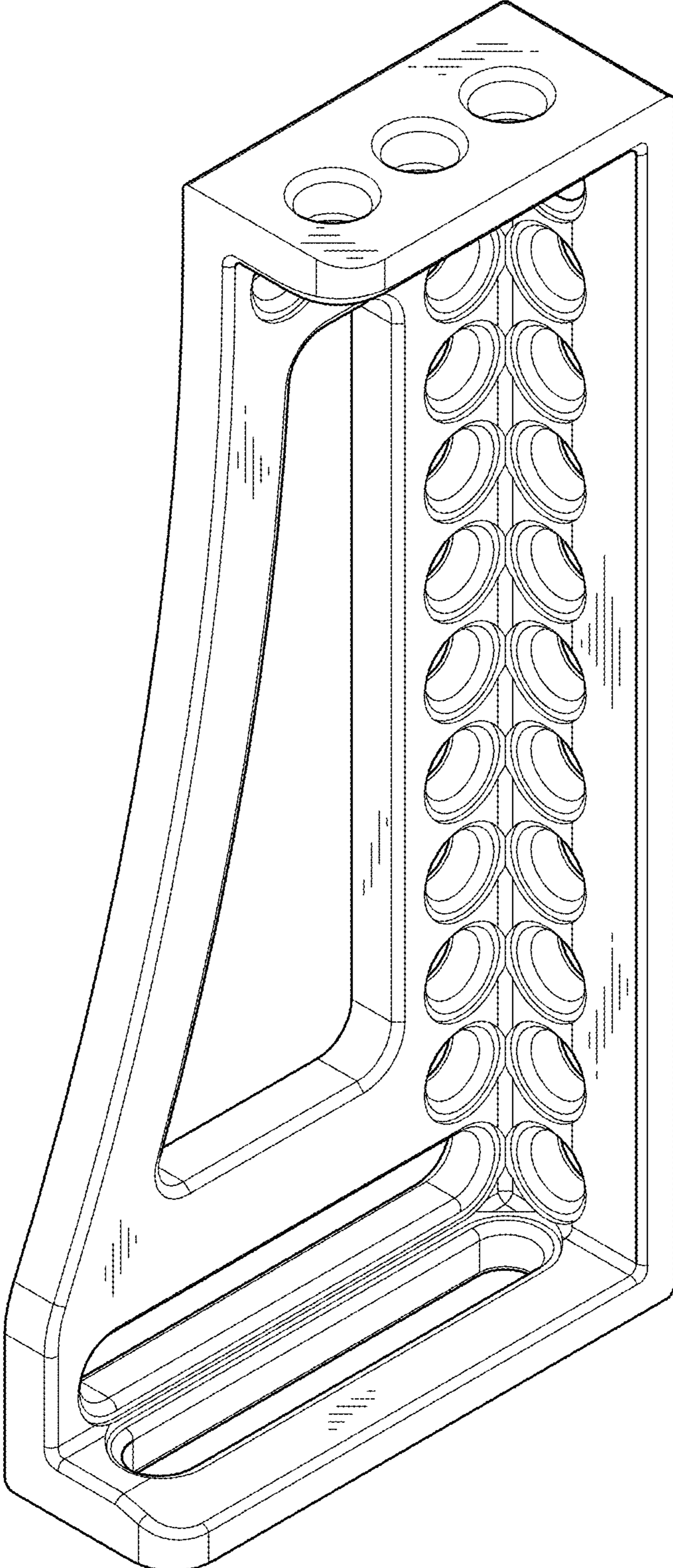
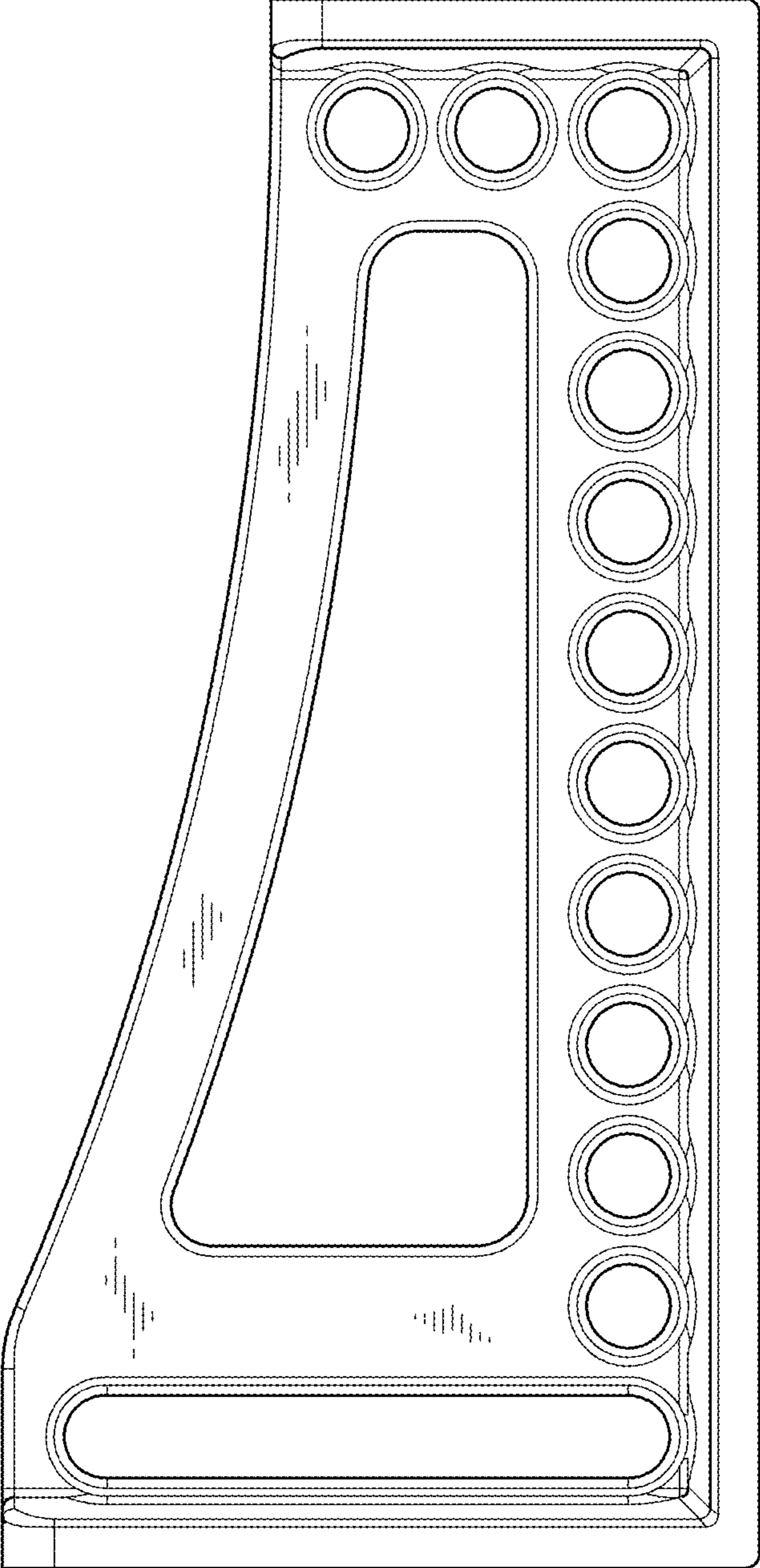


FIG. 2



**FIG. 3**

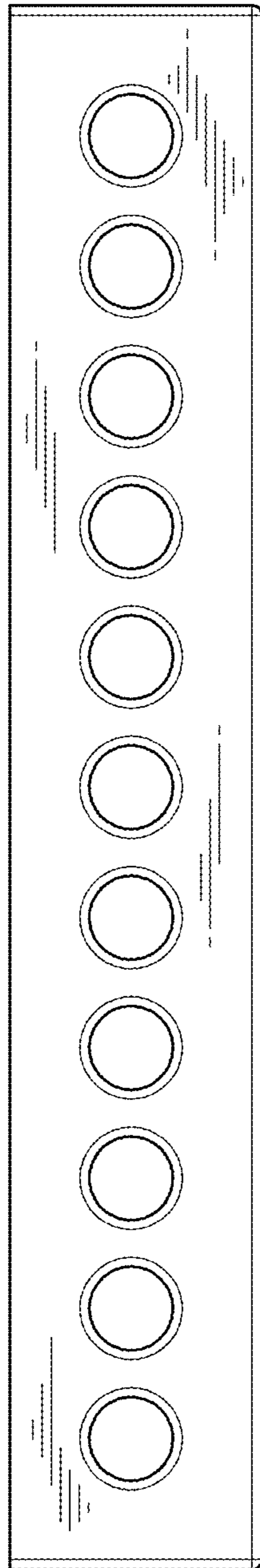
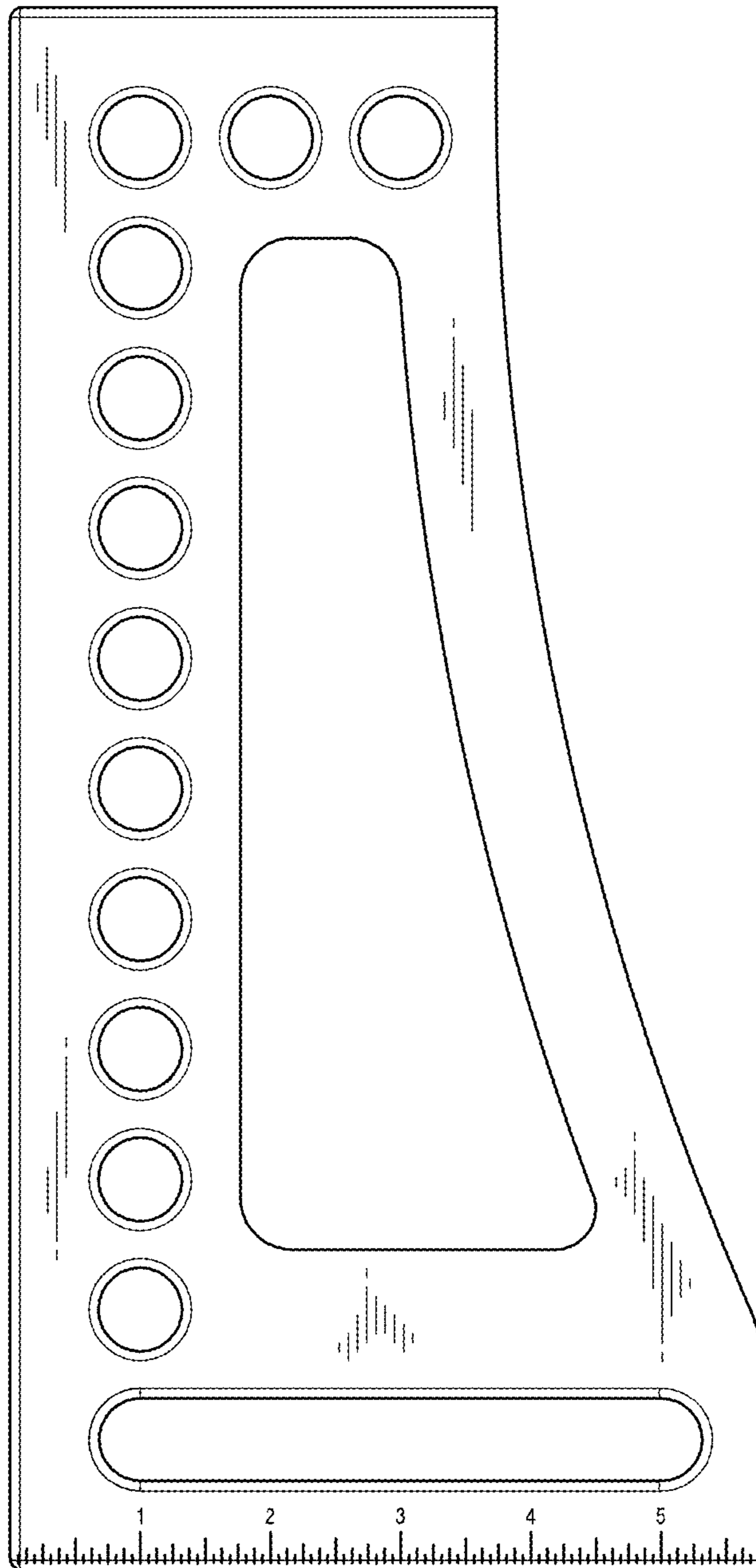
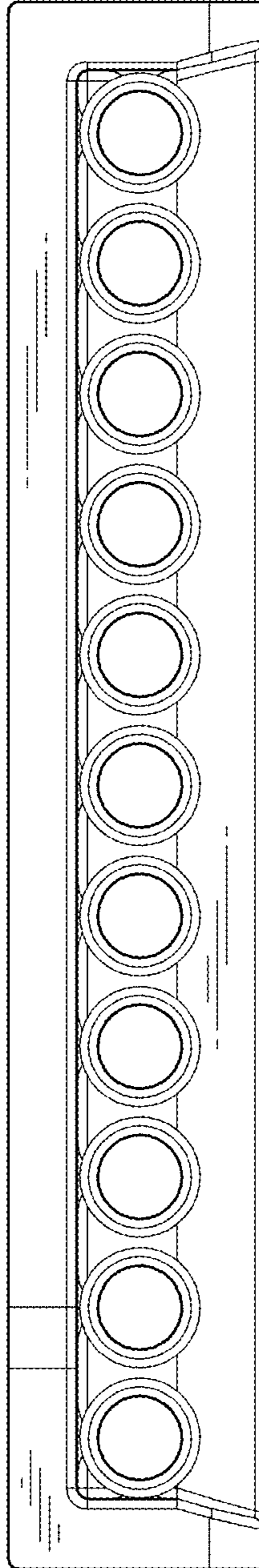


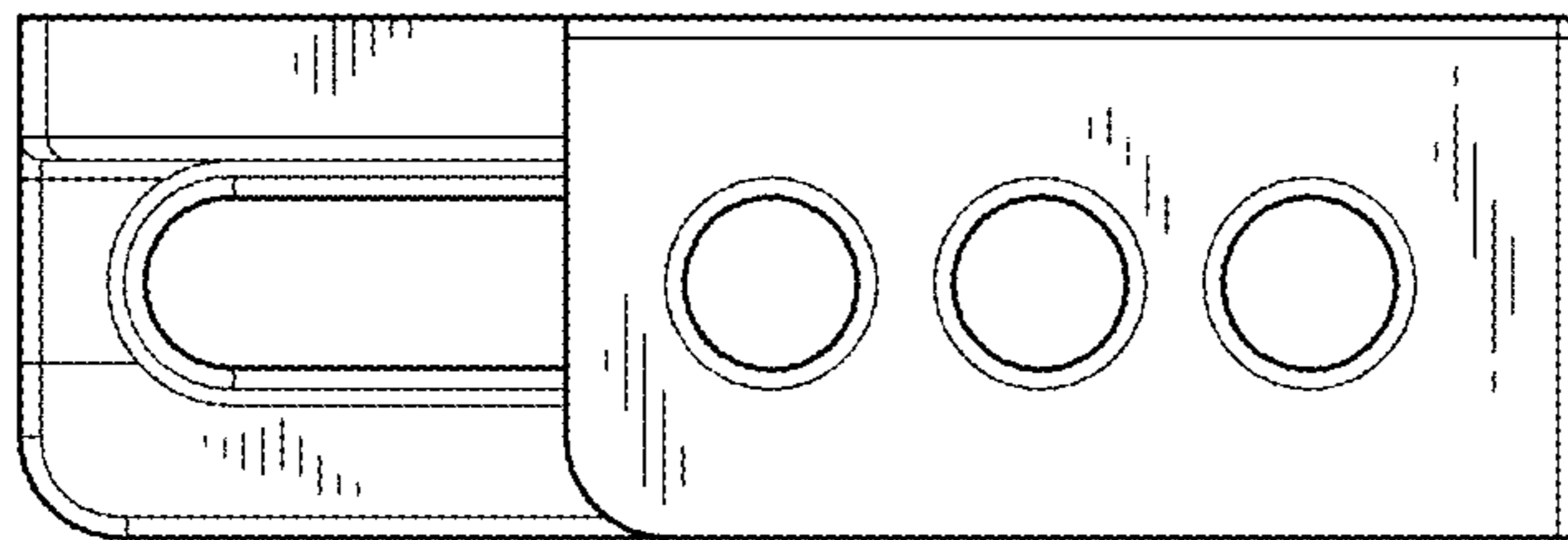
FIG. 4



*FIG. 5*



*FIG. 6*



*FIG. 7*

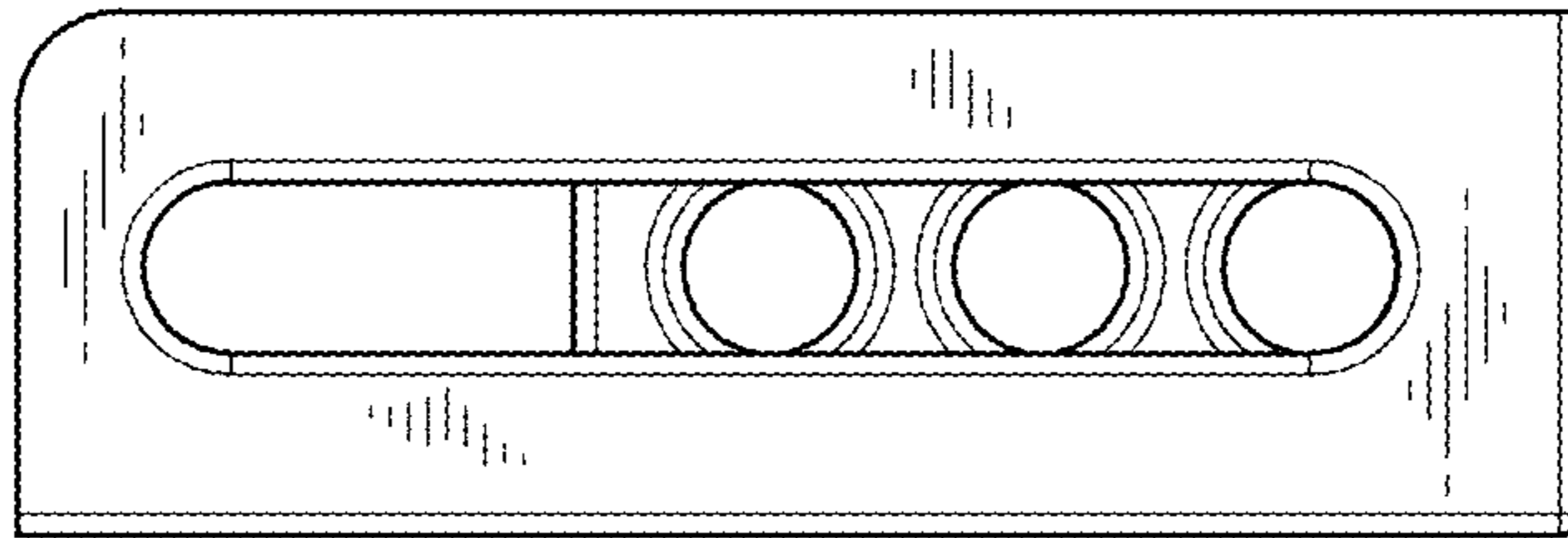




FIG. 8

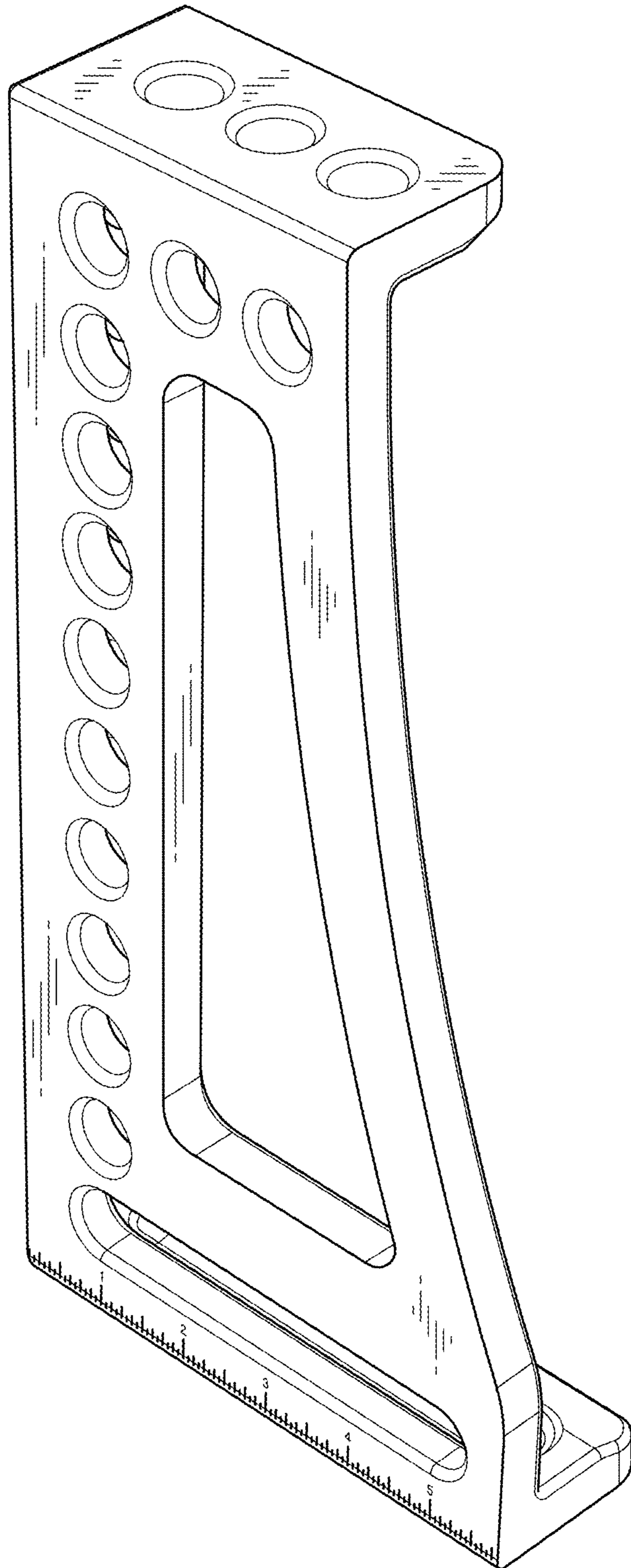


FIG. 9

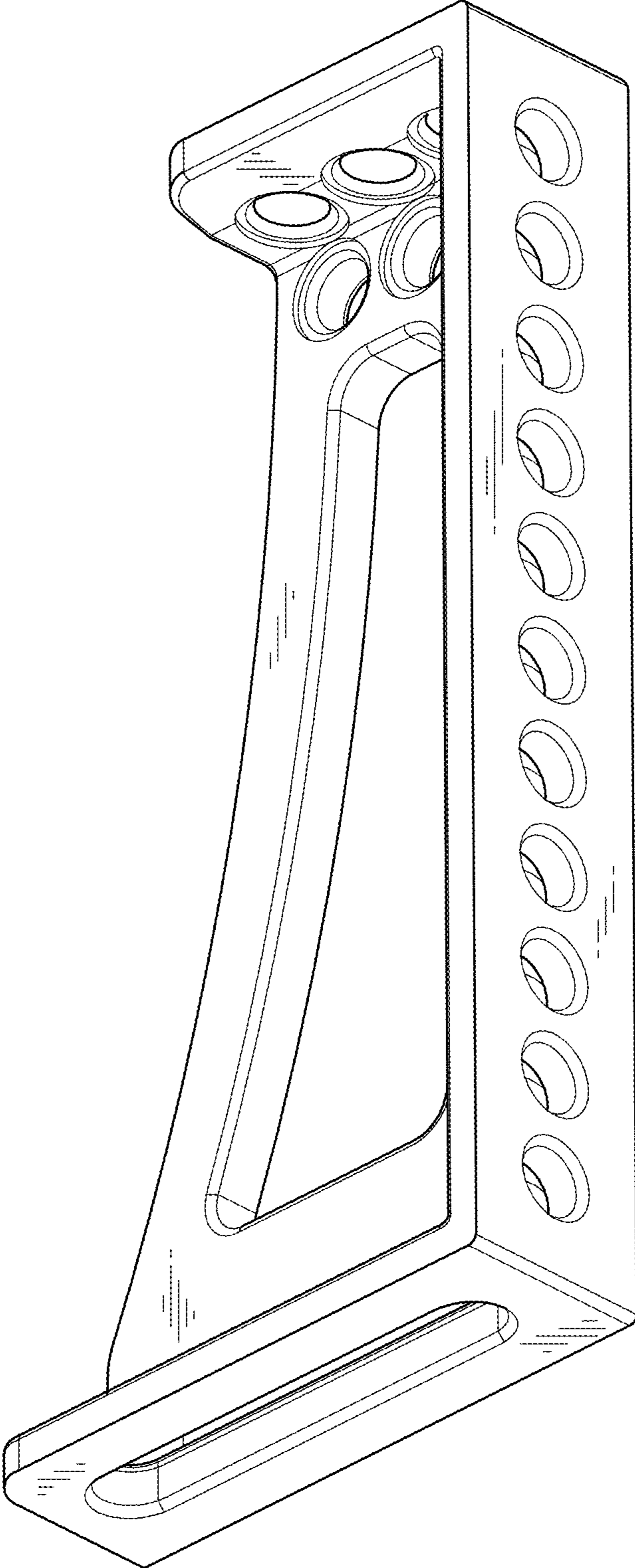


FIG. 10

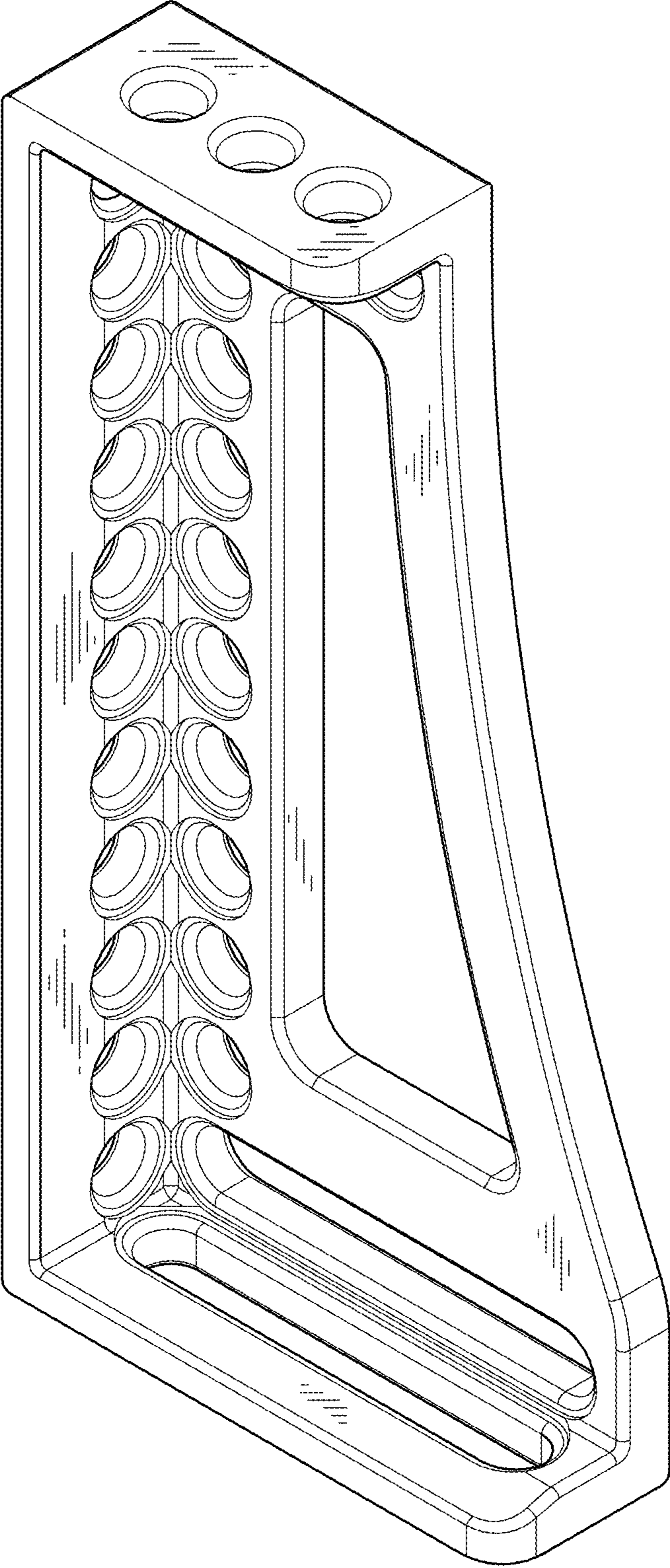
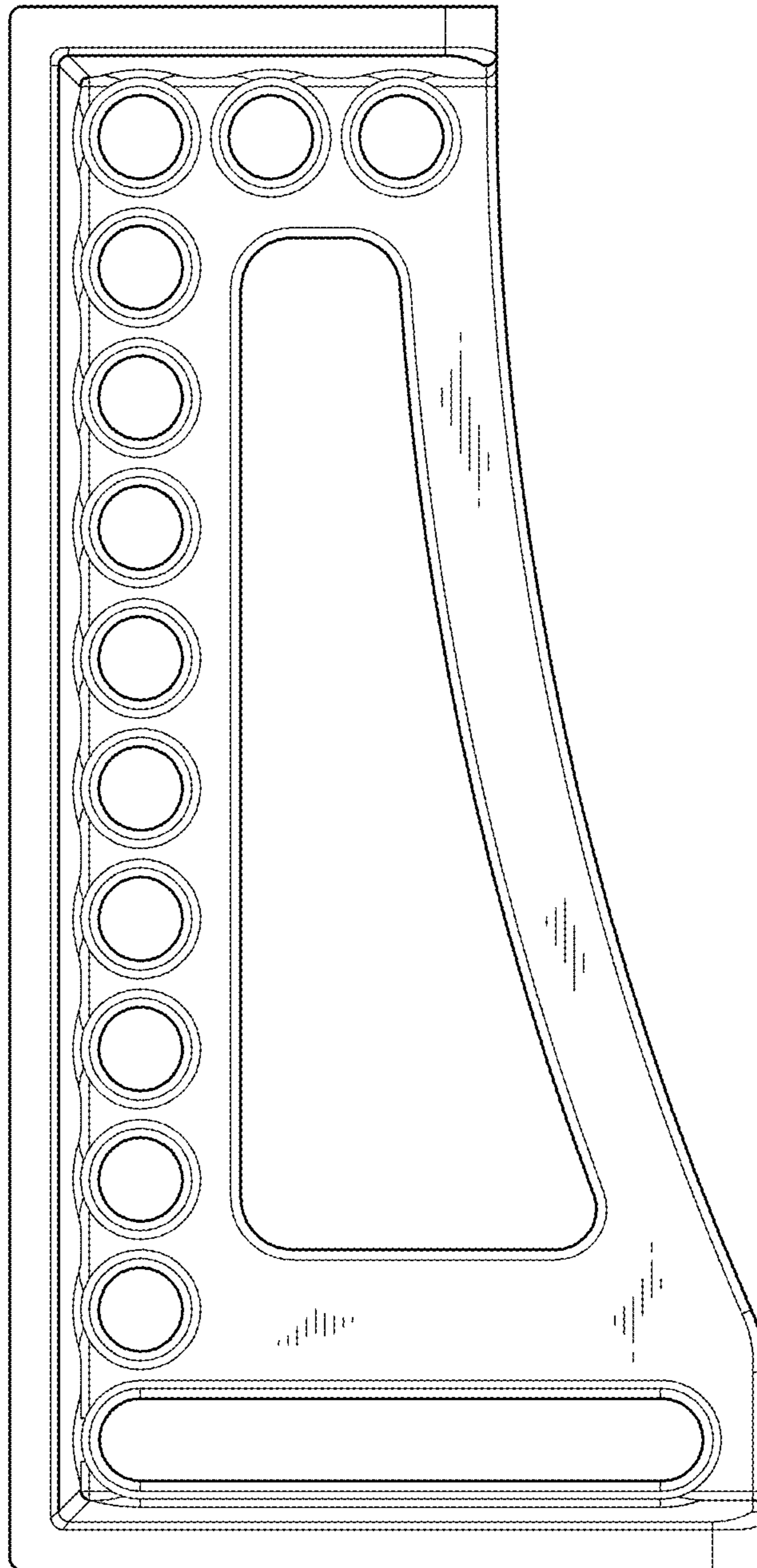


FIG. 11



*FIG. 12*

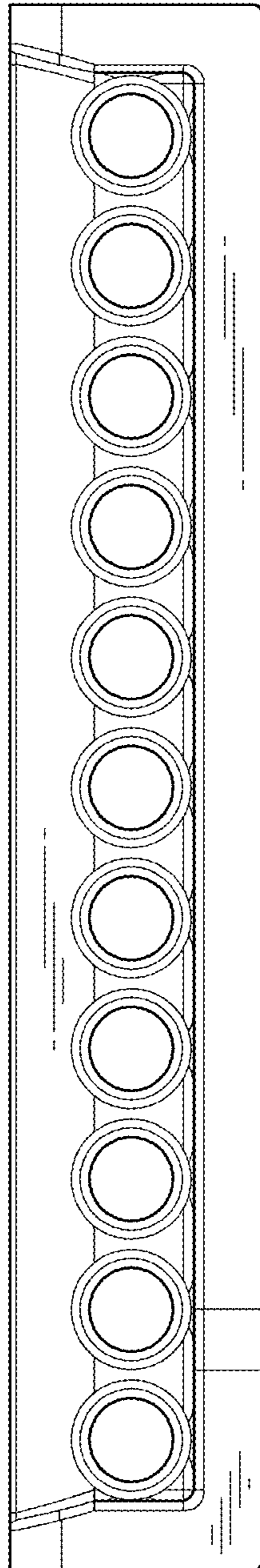
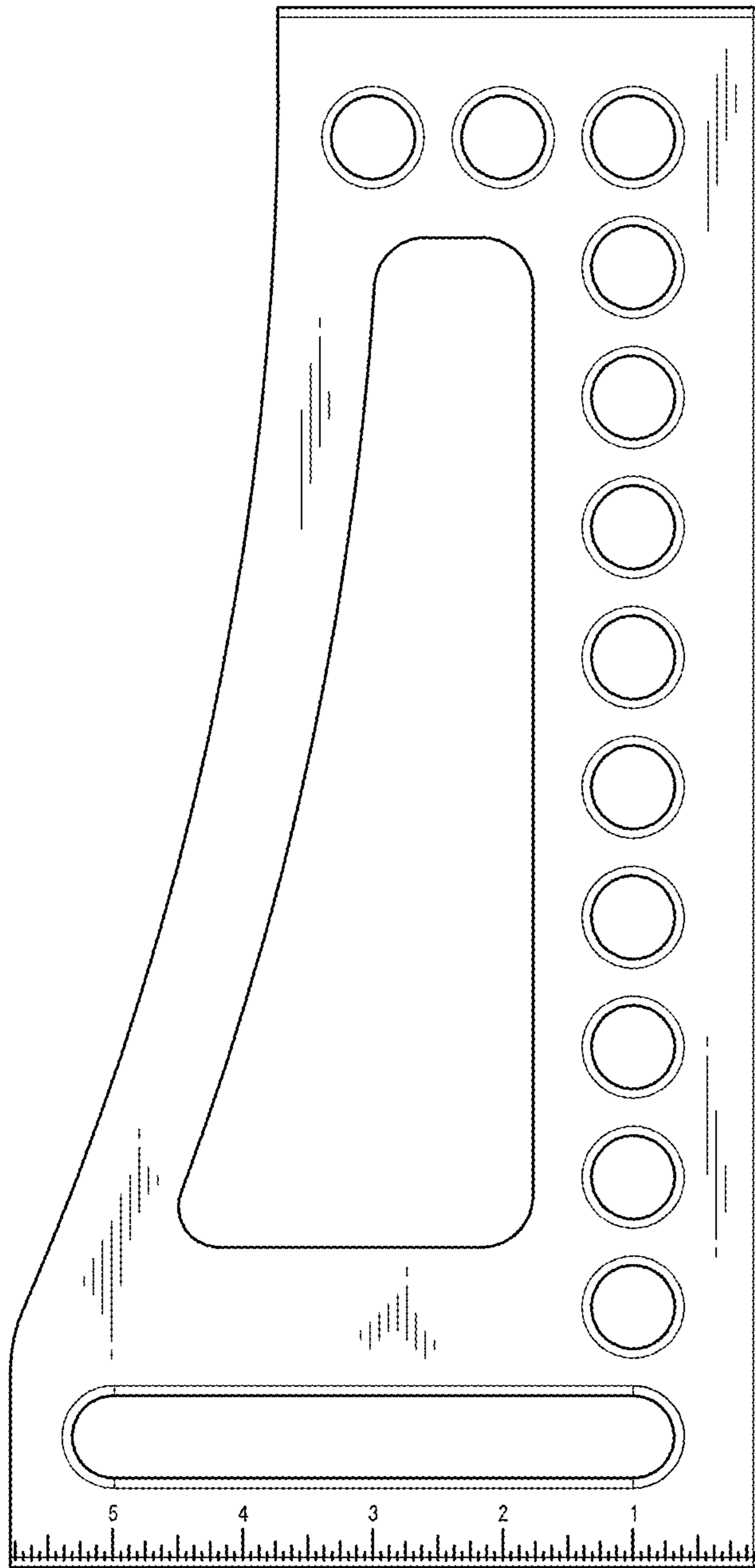
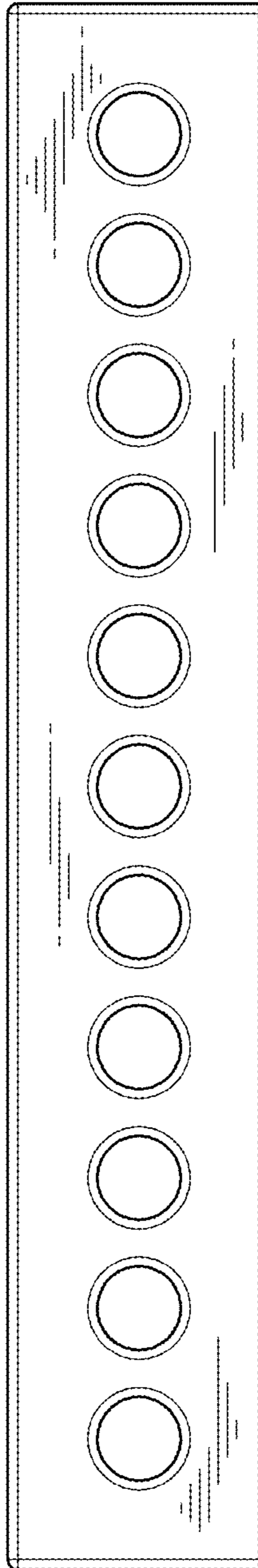


FIG. 13



**FIG. 14**



*FIG. 15*

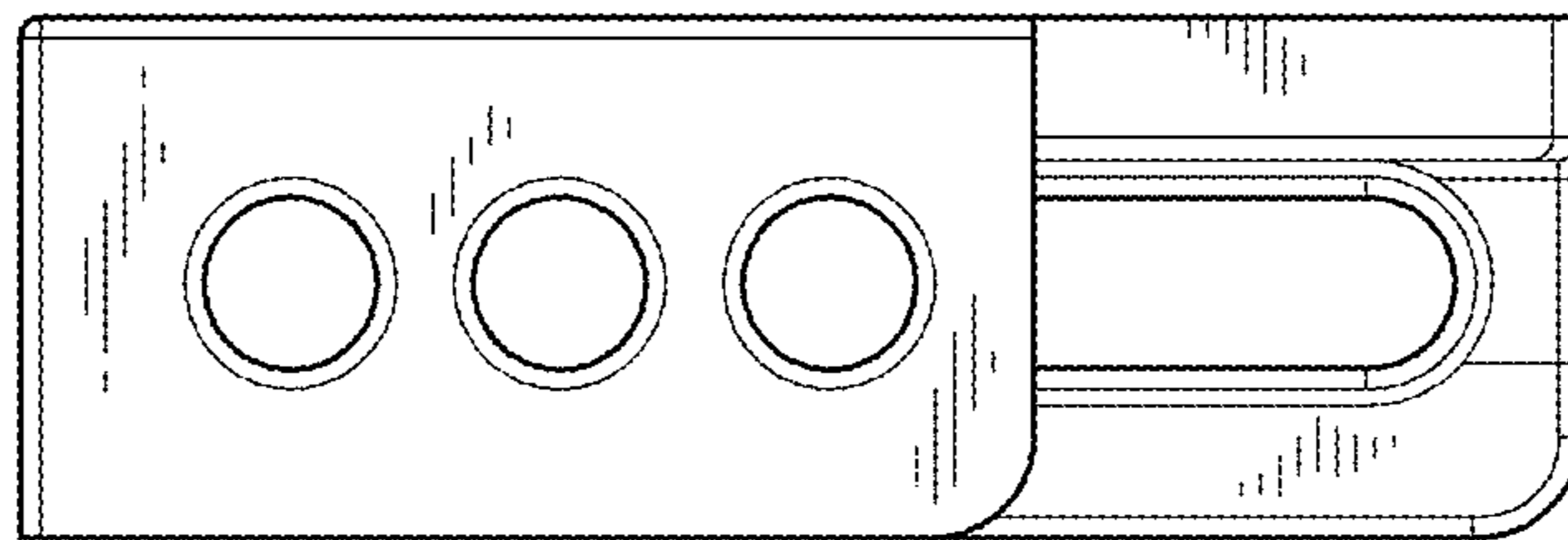




FIG. 16

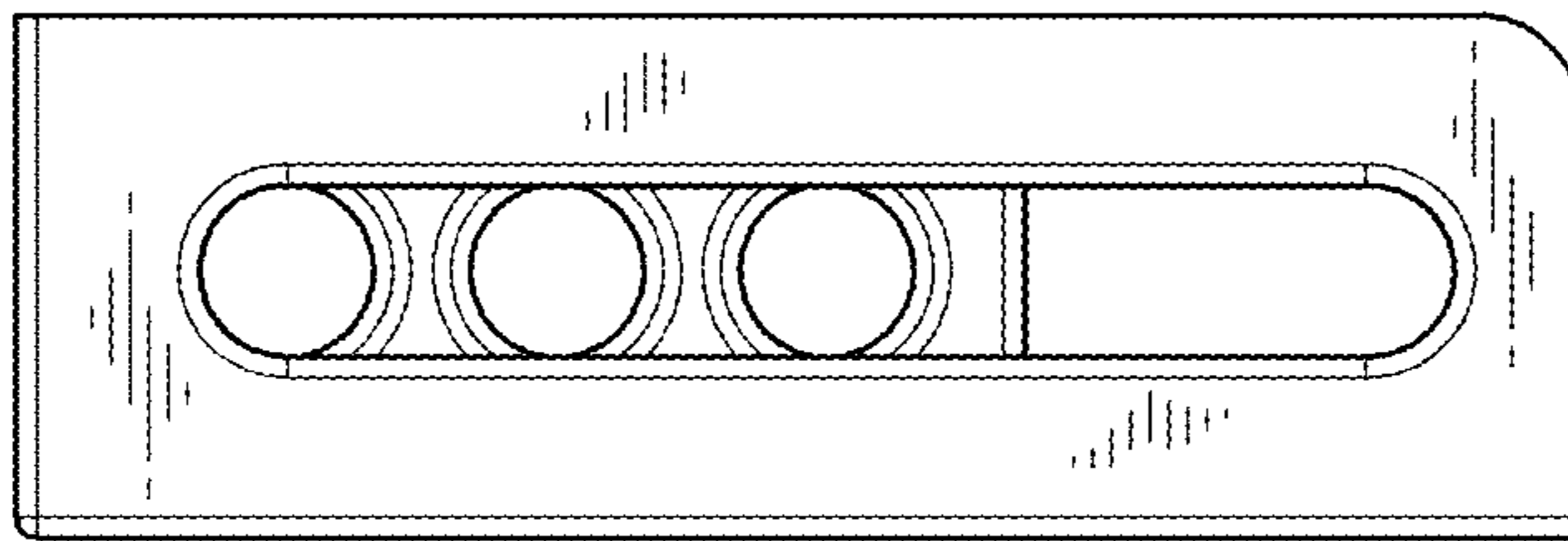


FIG. 17

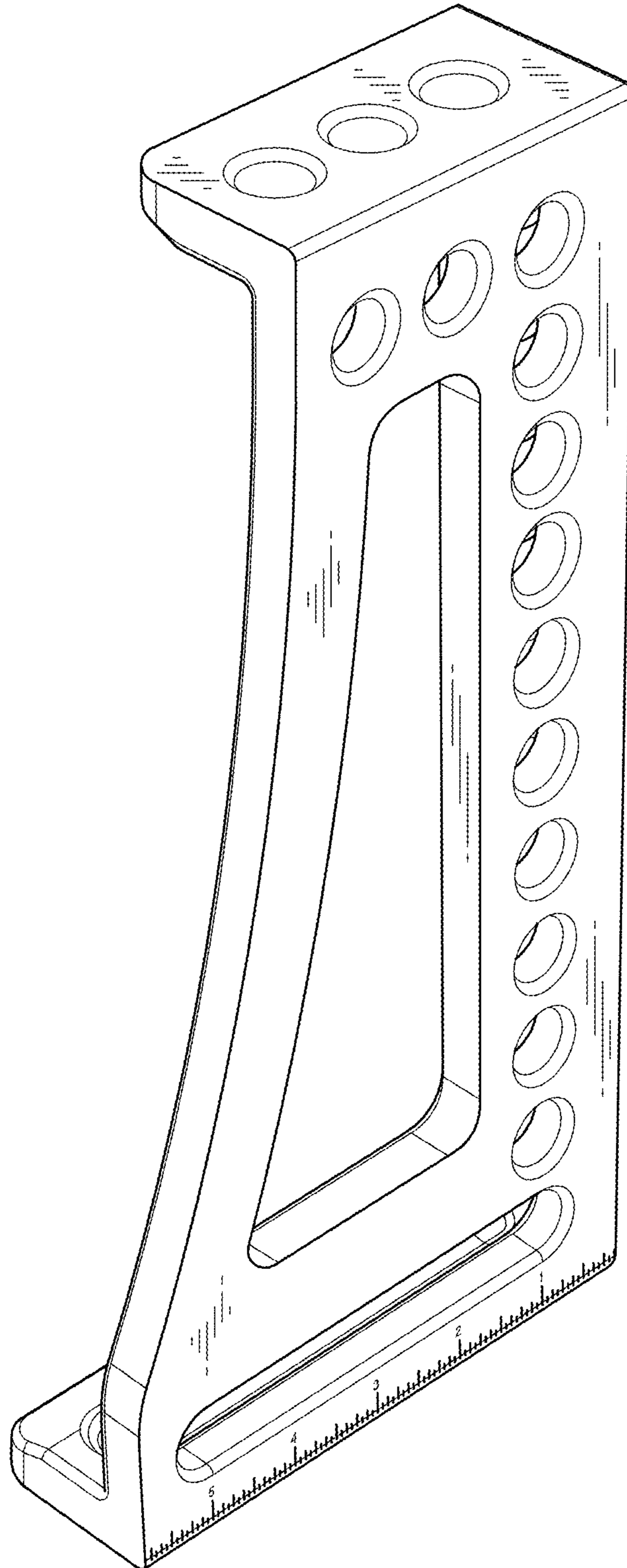


FIG. 18

