



US00D988151S

(12) **United States Design Patent** (10) **Patent No.:** **US D988,151 S**
Newhouse et al. (45) **Date of Patent:** **** Jun. 6, 2023**

(54) **THERMOMETER**

(71) Applicants: **Ralph Newhouse**, Monsey, NY (US);
Mehrafza Mirzazad, Brooklyn, NY (US)

(72) Inventors: **Ralph Newhouse**, Monsey, NY (US);
Mehrafza Mirzazad, Brooklyn, NY (US)

(73) Assignee: **RJ Brands LLC**, Mahwah, NJ (US)

(**) Term: **15 Years**

(21) Appl. No.: **29/784,427**

(22) Filed: **May 19, 2021**

(51) **LOC (14) Cl.** **10-04**

(52) **U.S. Cl.**
USPC **D10/57**

(58) **Field of Classification Search**
USPC D10/57
CPC G01K 1/08; G01K 13/20; G01K 13/223;
G01K 13/25; G01K 13/252; G01K 1/083;
G01K 1/086; G01K 1/18; G01K 13/002;
G01K 1/14; G01K 5/38; G01K 5/58;
G01K 5/60; G01K 13/00; G01K 13/08;
G01K 13/10; A61B 2562/247; G01J
5/021; G01J 5/048; G01J 5/04; G01J
5/041; G01J 5/042; G01J 5/043; G01J
5/044; G01J 5/045; G01J 5/046; G01J
5/047; G01J 5/049; G01J 5/0265

See application file for complete search history.

(56) **References Cited**

U.S. PATENT DOCUMENTS

D531,529 S *	11/2006	Sato	D10/57
D730,204 S *	5/2015	Juhng	D10/57
D730,205 S *	5/2015	Juhng	D10/57
D807,208 S *	1/2018	Cruz	D10/57
D962,796 S *	9/2022	Wang	D10/57

* cited by examiner

Primary Examiner — Antoine Duval Davis

(74) *Attorney, Agent, or Firm* — Bochner IP, PLLC;
Andrew D. Bochner

(57) **CLAIM**

The ornamental design for a thermometer, as shown and described.

DESCRIPTION

FIG. 1 is a top, front, right side perspective view;

FIG. 2 is a front elevation view thereof;

FIG. 3 is a rear elevation view thereof;

FIG. 4 is a left side elevation view thereof;

FIG. 5 is a right side elevation view thereof;

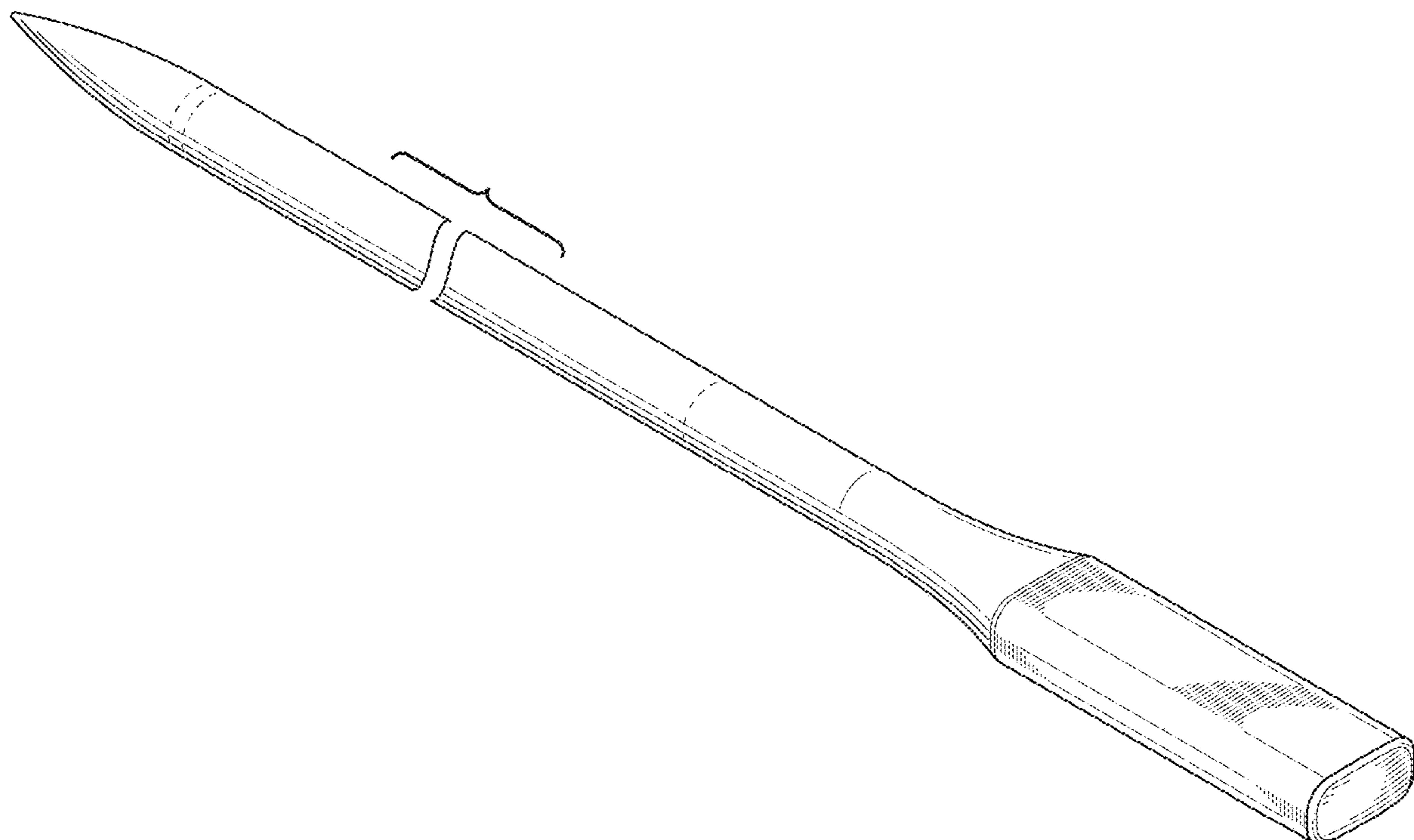
FIG. 6 is a top plan view thereof; and,

FIG. 7 is a bottom plan view thereof.

The article is shown with a symbolic break in its length. The appearance of any portion of the article between the break lines forms no part of the claimed design.

In the drawings, the broken lines are for the purpose of illustrating environment only, and form no part of the claimed design.

1 Claim, 2 Drawing Sheets



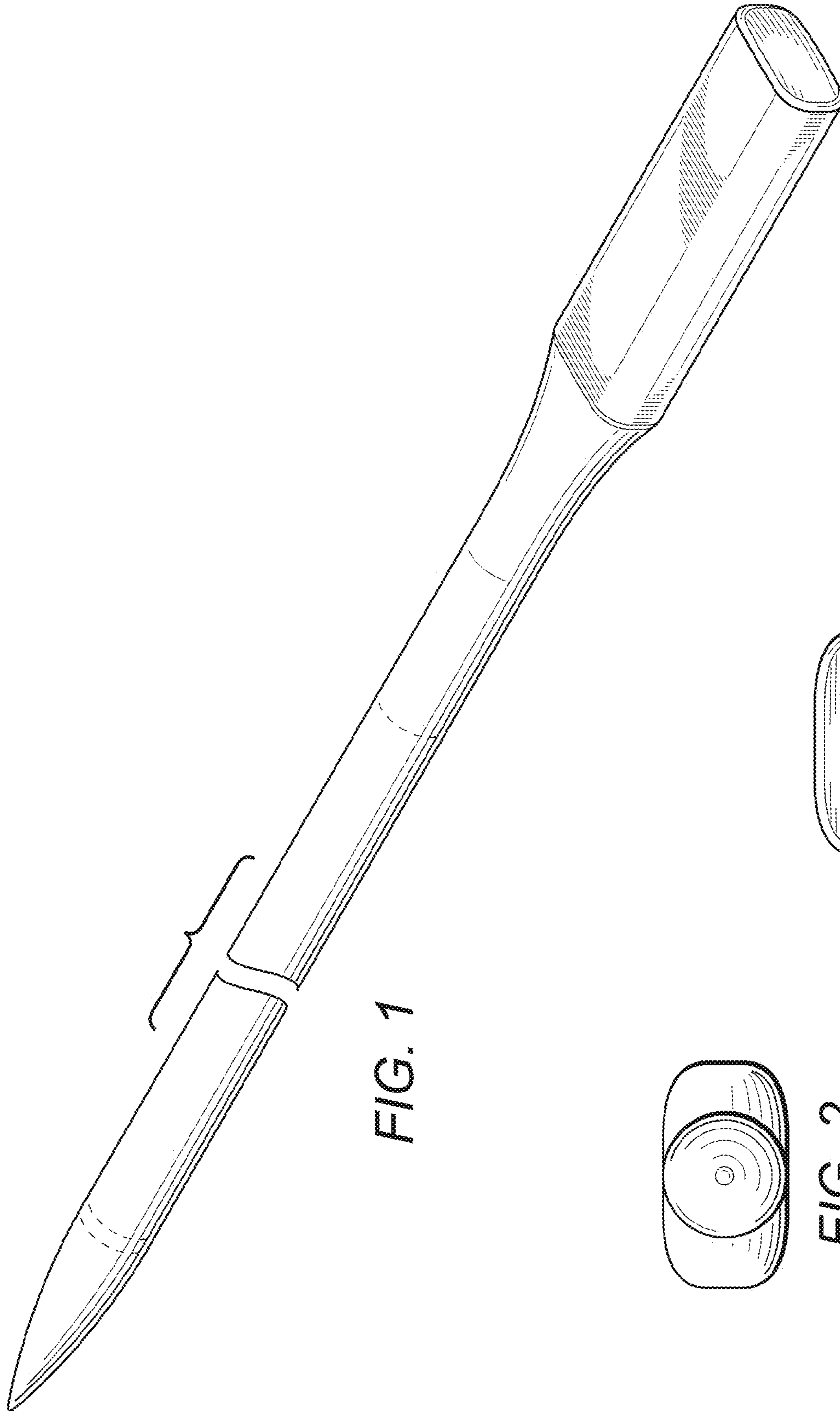


FIG. 1

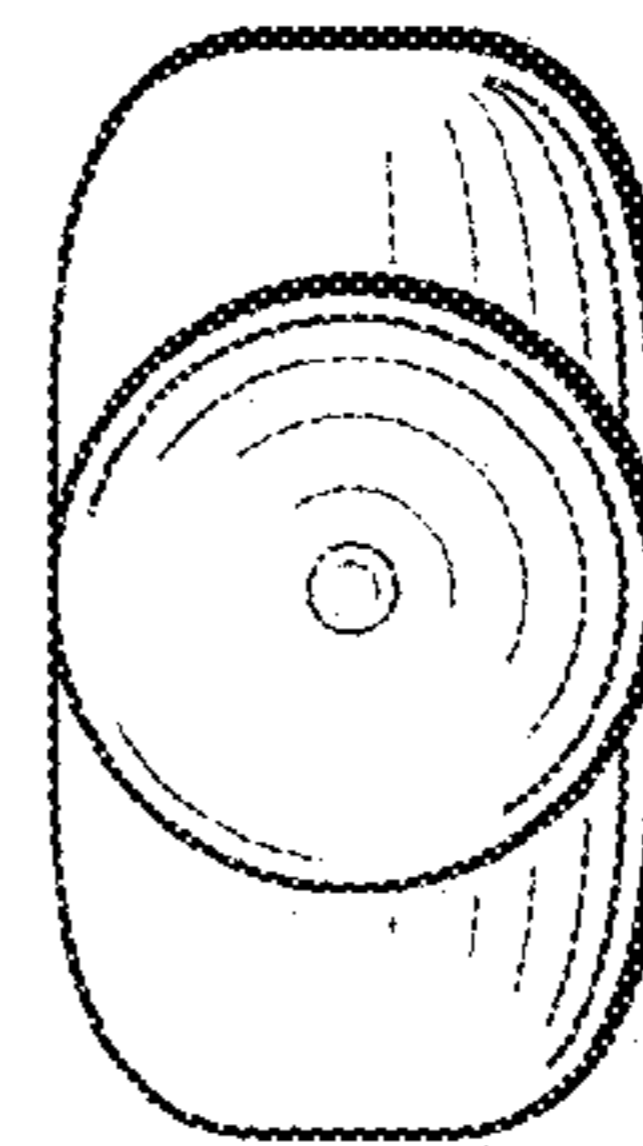


FIG. 2

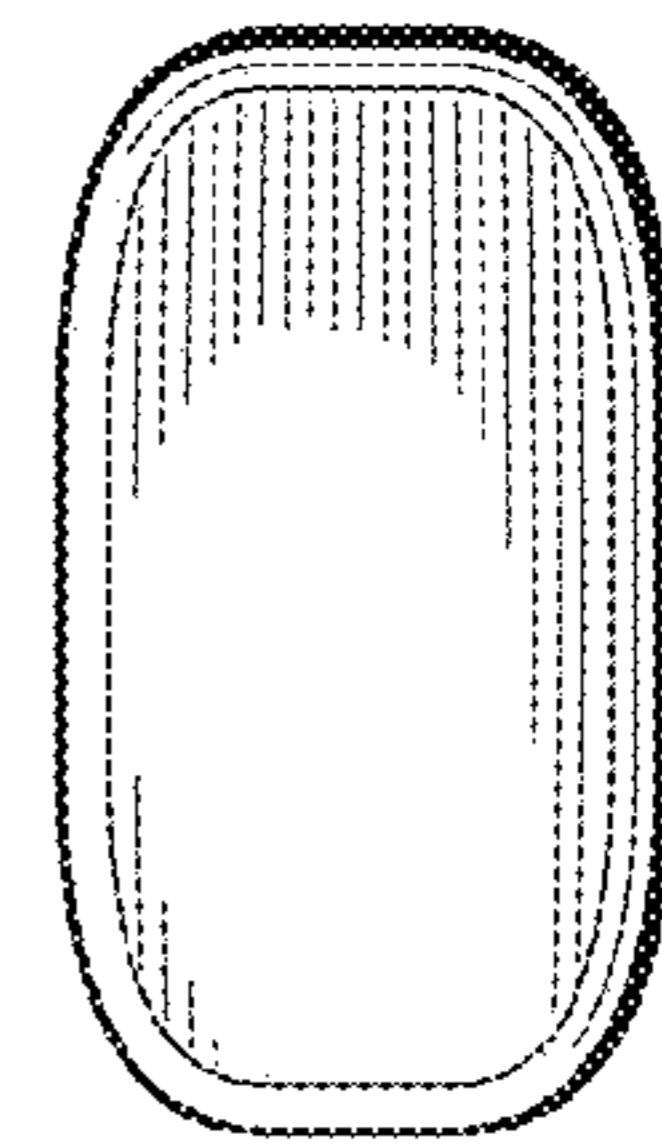


FIG. 3

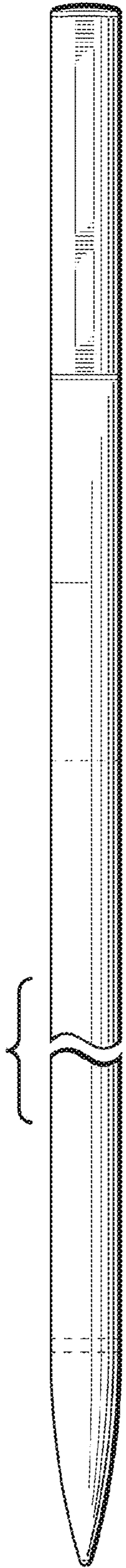


FIG. 4

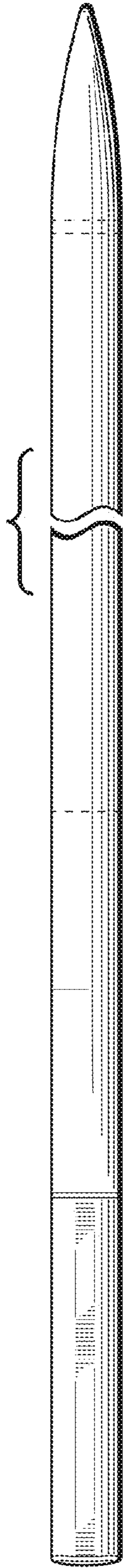


FIG. 5

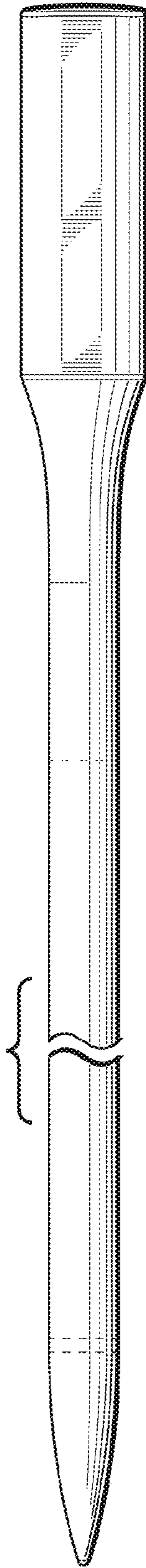


FIG. 6

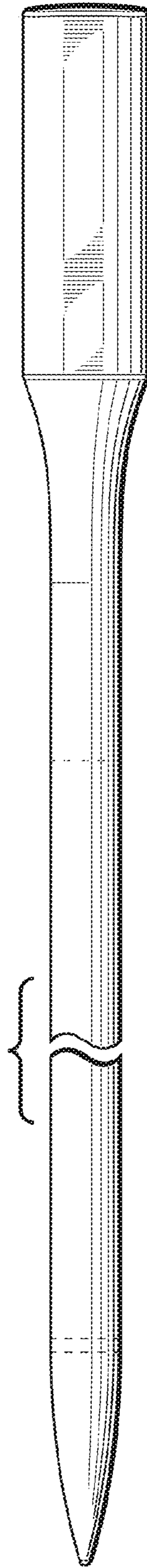


FIG. 7