



US00D988150S

(12) **United States Design Patent**  
**Zhang**

(10) **Patent No.:** **US D988,150 S**

(45) **Date of Patent:** **\*\* Jun. 6, 2023**

(54) **WIRELESS THERMOMETER**

(71) Applicant: **Shenzhen Flamingo Technology Co., Ltd.**, Guangdong (CN)

(72) Inventor: **Feng Zhang**, Guangdong (CN)

(73) Assignee: **Shenzhen Flamingo Technology Co., Ltd.**, Shenzhen (CN)

(\*\*) Term: **15 Years**

(21) Appl. No.: **29/778,835**

(22) Filed: **Apr. 15, 2021**

(51) **LOC (14) Cl.** ..... **10-04**

(52) **U.S. Cl.**  
USPC ..... **D10/57**

(58) **Field of Classification Search**  
USPC ..... D10/57  
CPC ..... G01K 2207/02; G01K 2207/04; G01K 2207/06; G01K 2207/08  
See application file for complete search history.

(56) **References Cited**

U.S. PATENT DOCUMENTS

D807,208 S \* 1/2018 Cruz ..... D10/57  
D855,482 S \* 8/2019 Yu ..... D10/57

10,643,040 B2 \* 5/2020 Ostermeier ..... F26B 5/06  
D931,121 S \* 9/2021 Pan ..... D10/57  
11,160,420 B2 \* 11/2021 McCormack ..... G01K 15/00  
11,219,333 B2 \* 1/2022 Fung ..... A47J 37/0611  
11,274,973 B2 \* 3/2022 Goulis ..... G01K 7/023

\* cited by examiner

*Primary Examiner* — Antoine Duval Davis

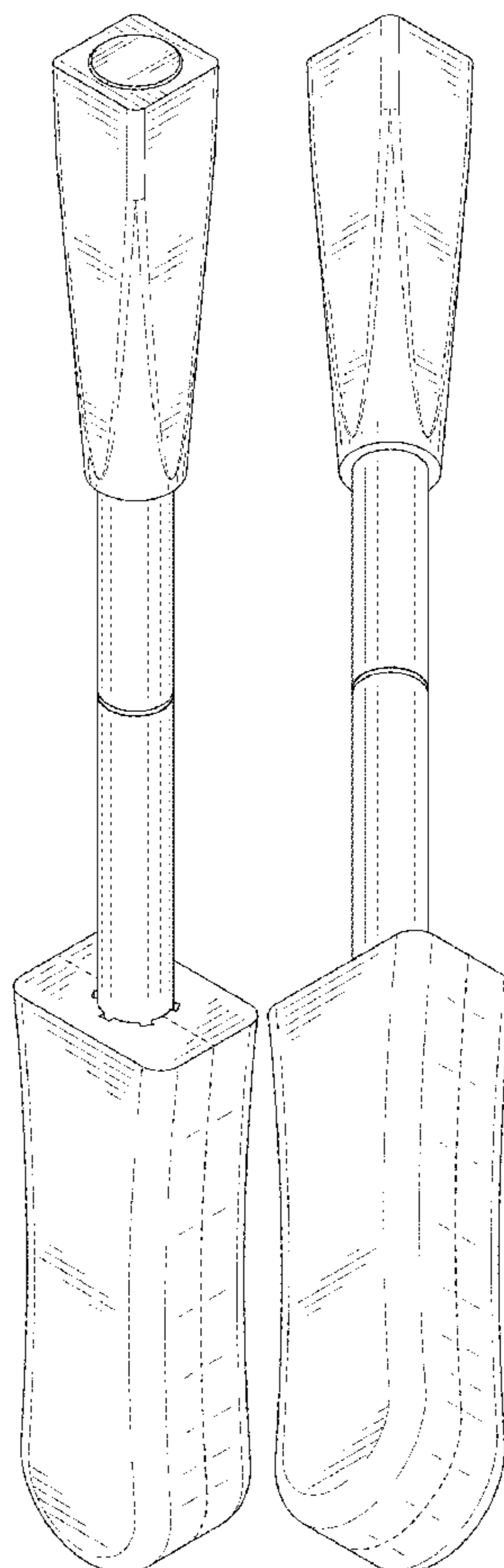
(57) **CLAIM**

The ornamental design for a wireless thermometer, as shown and described.

**DESCRIPTION**

FIG. 1 is a front, top and right side perspective view of a wireless thermometer showing my new design;  
FIG. 2 is a rear, bottom and left side perspective view thereof;  
FIG. 3 is a front elevational view thereof;  
FIG. 4 is a rear elevational view thereof;  
FIG. 5 is a left side view thereof;  
FIG. 6 is a right side view thereof;  
FIG. 7 is a top plan view thereof; and,  
FIG. 8 is a bottom plan view thereof.  
The broken lines in the drawings illustrate portions of the wireless thermometer which form no part of the claimed design.

**1 Claim, 8 Drawing Sheets**



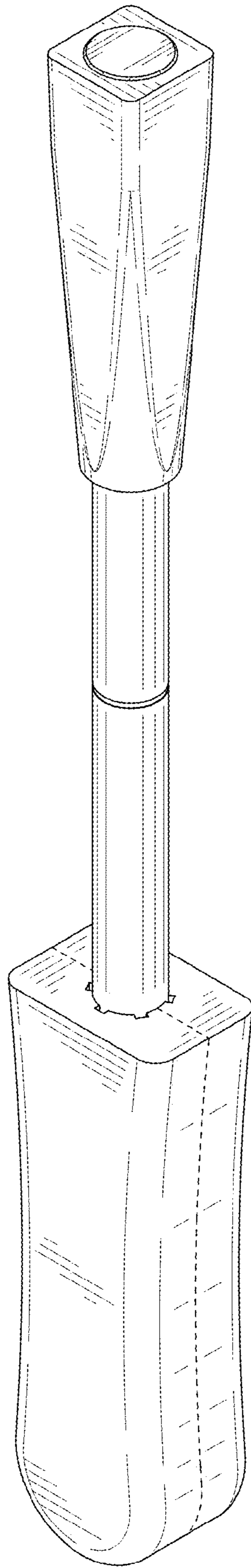


FIG. 1

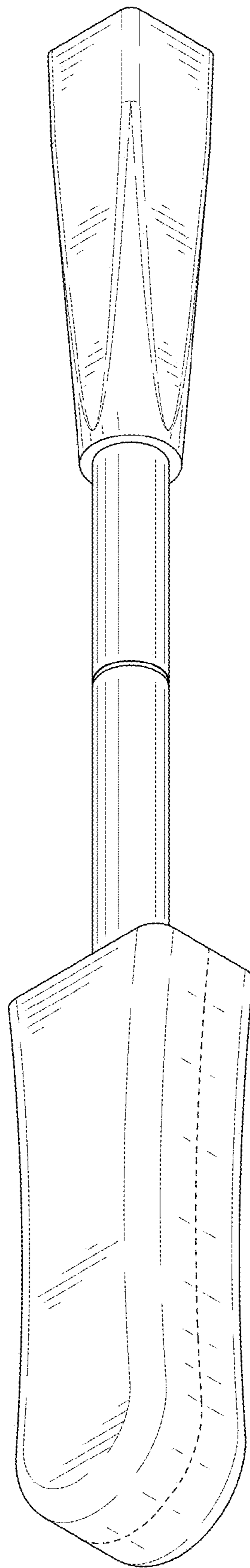


FIG. 2

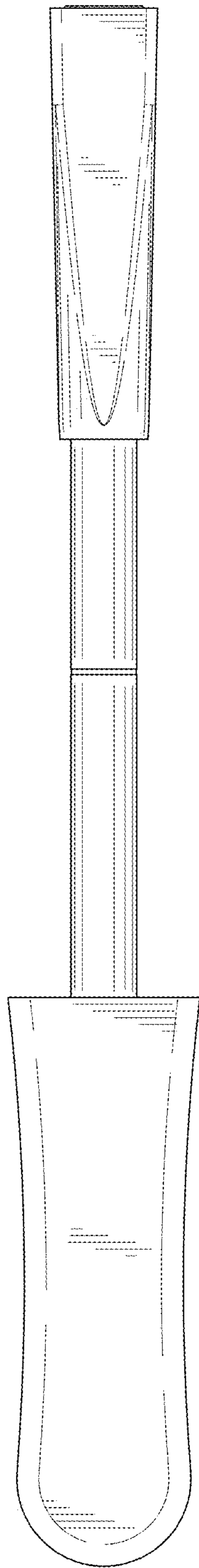


FIG. 3

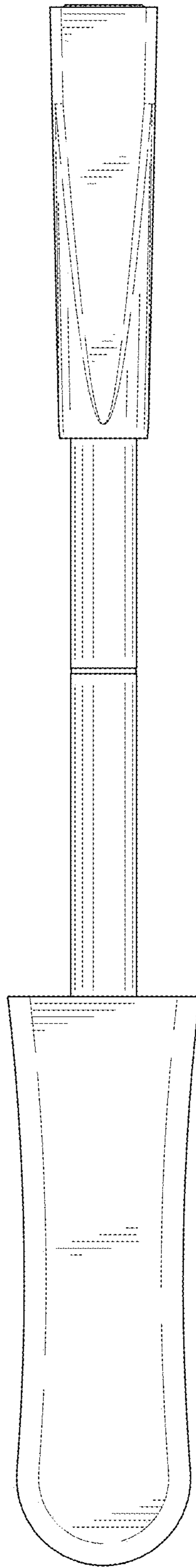


FIG. 4

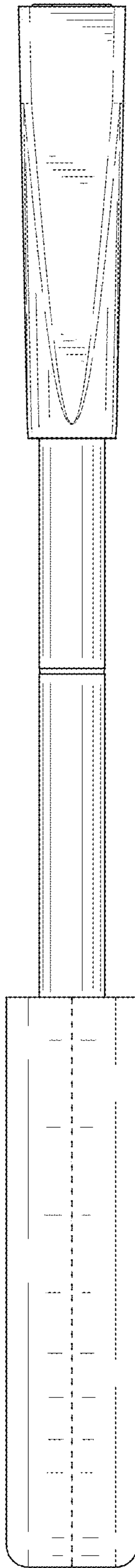


FIG. 5

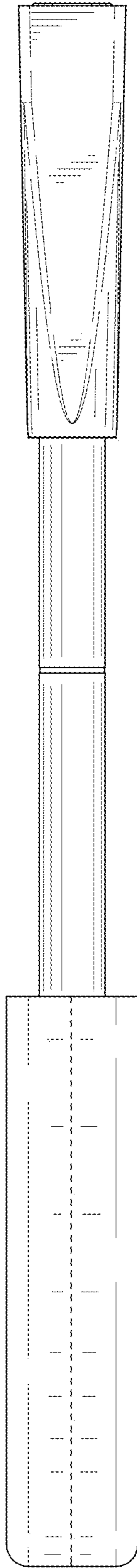


FIG. 6

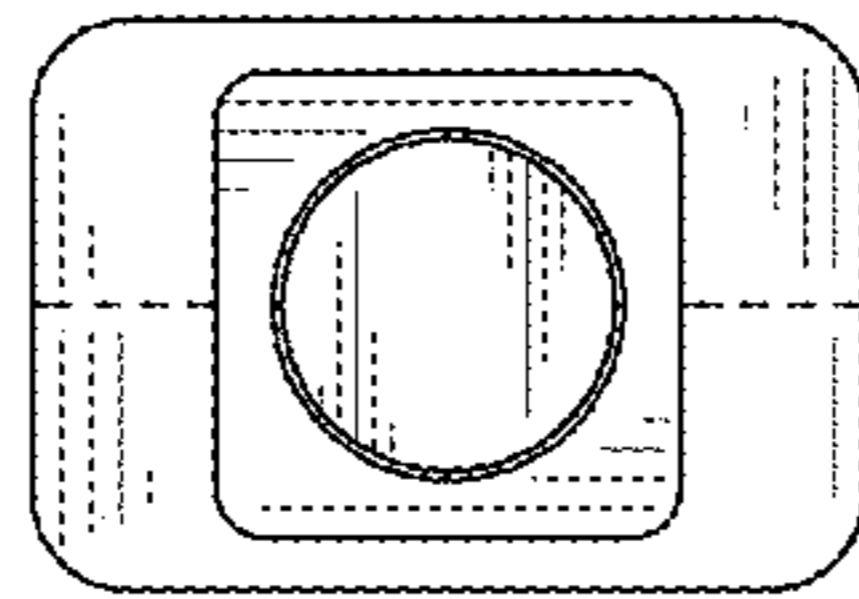


FIG. 7



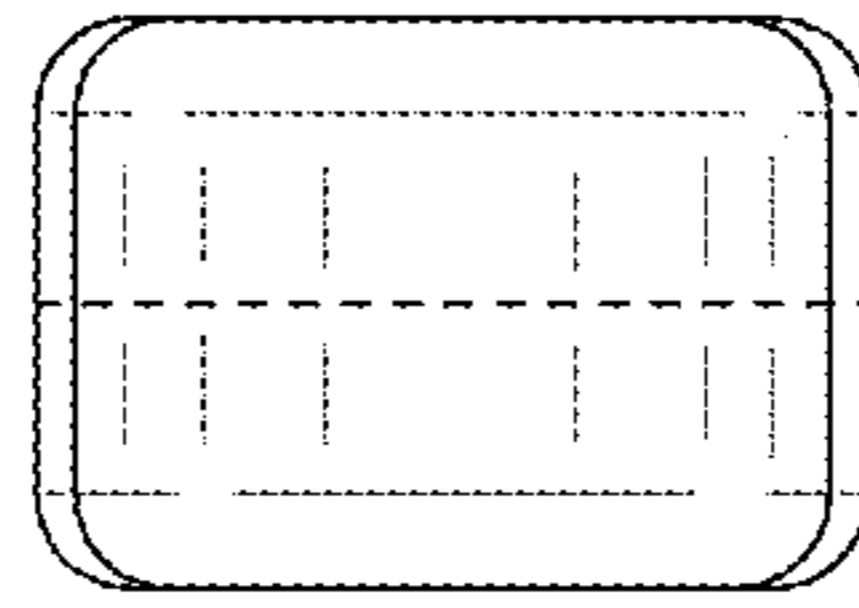


FIG. 8