



US00D988148S

(12) **United States Design Patent**  
**Li**

(10) **Patent No.:** **US D988,148 S**

(45) **Date of Patent:** **\*\* Jun. 6, 2023**

(54) **METAL DETECTOR**

(71) Applicant: **Hubei Jixing Technology Co., Ltd.**,  
Hubei (CN)

(72) Inventor: **Kejun Li**, Guangdong (CN)

(\*\*) Term: **15 Years**

(21) Appl. No.: **29/862,870**

(22) Filed: **Dec. 13, 2022**

(51) **LOC (14) Cl.** ..... **10-04**

(52) **U.S. Cl.**  
USPC ..... **D10/47**

(58) **Field of Classification Search**  
USPC ..... D10/47  
CPC ..... G01V 5/0008; G01V 7/00; G01V 8/00;  
G01V 9/00; G01V 11/00  
See application file for complete search history.

(56) **References Cited**

**U.S. PATENT DOCUMENTS**

D497,559 S *	10/2004	Johnson	.....	D10/47
D513,706 S *	1/2006	Johnson	.....	D10/47
D583,261 S *	12/2008	Johnson	.....	D10/47
D663,634 S *	7/2012	Townsend	.....	D10/47
D694,130 S *	11/2013	Manneschi	.....	D10/47
9,347,798 B1 *	5/2016	Johnson	.....	H04R 1/028
D796,971 S *	9/2017	Dubos	.....	D10/47
D867,168 S *	11/2019	Griffin	.....	D10/47
D872,601 S *	1/2020	Tremp	.....	D10/47
D881,726 S *	4/2020	Deng	.....	D10/47

D885,938 S *	6/2020	Deng	.....	D10/47
D937,102 S *	11/2021	Deng	.....	D10/47
D959,998 S	8/2022	Guo	.....	
D964,866 S *	9/2022	Zhang	.....	D10/47
11,451,904 B2 *	9/2022	Deng	.....	H04R 1/021
2022/0206178 A1 *	6/2022	Dietz	.....	G01V 3/15

\* cited by examiner

*Primary Examiner* — George D. Kirschbaum

*Assistant Examiner* — Lillian Windham

(74) *Attorney, Agent, or Firm* — Che-Yang Chen; Law  
Office of Michael Chen

(57) **CLAIM**

The ornamental design for a metal detector, as shown and described.

**DESCRIPTION**

FIG. 1 is a perspective view of a metal detector showing my new design;

FIG. 2 is a perspective view thereof from another angle;

FIG. 3 is a front elevational view thereof;

FIG. 4 is a rear elevational view thereof;

FIG. 5 is a left side elevational view thereof;

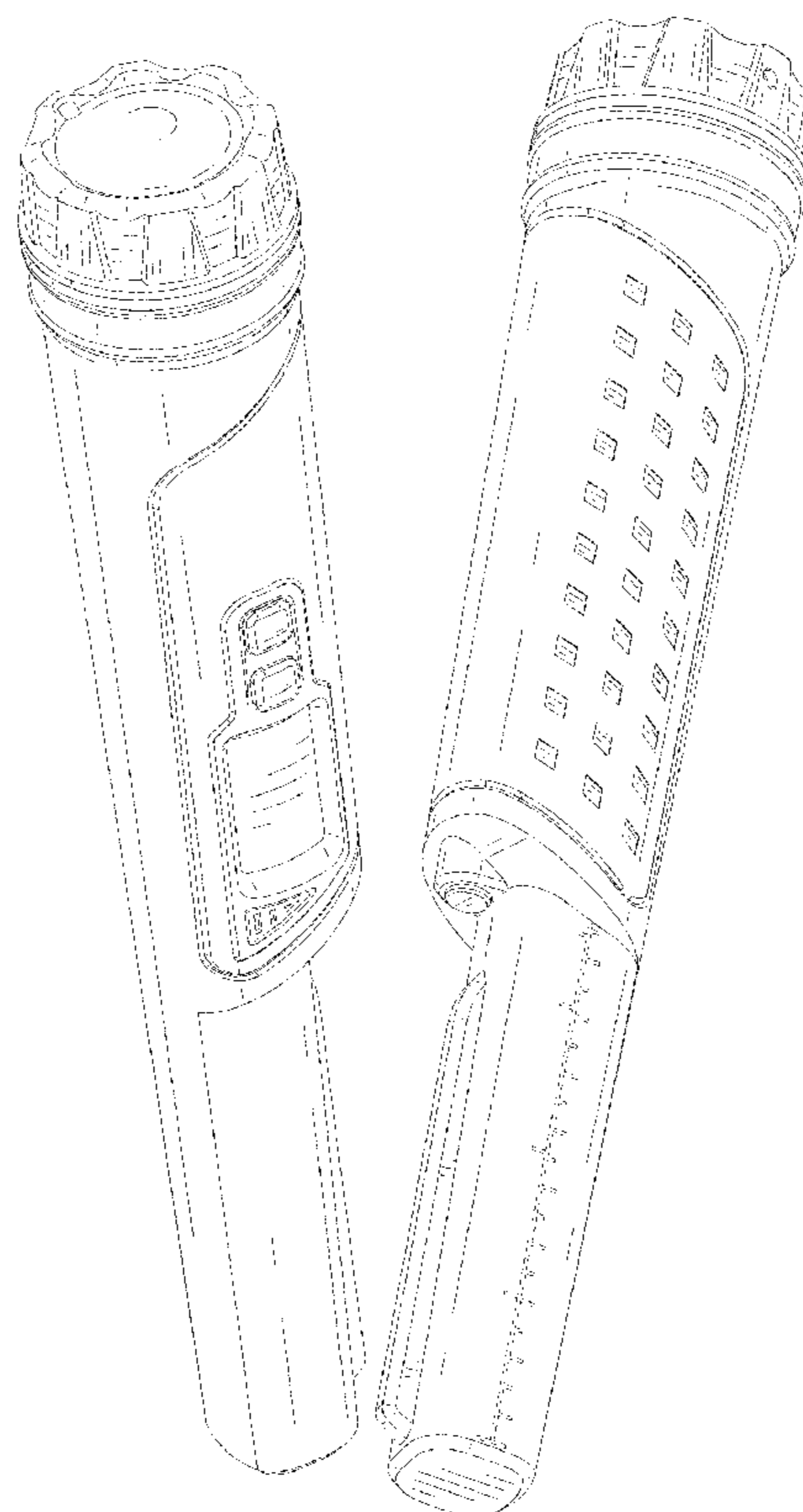
FIG. 6 is a right side elevational view thereof;

FIG. 7 is a top plan view thereof; and,

FIG. 8 is a bottom plan view thereof.

The broken lines shown in the drawings represent portions of the metal detector that form no part of the claimed design.

**1 Claim, 8 Drawing Sheets**



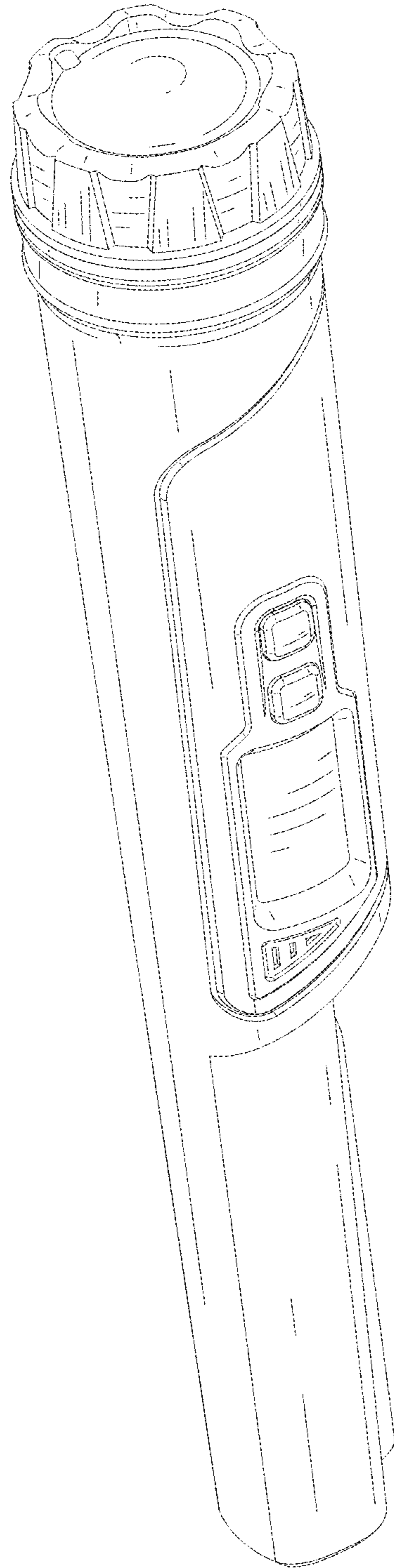


FIG. 1

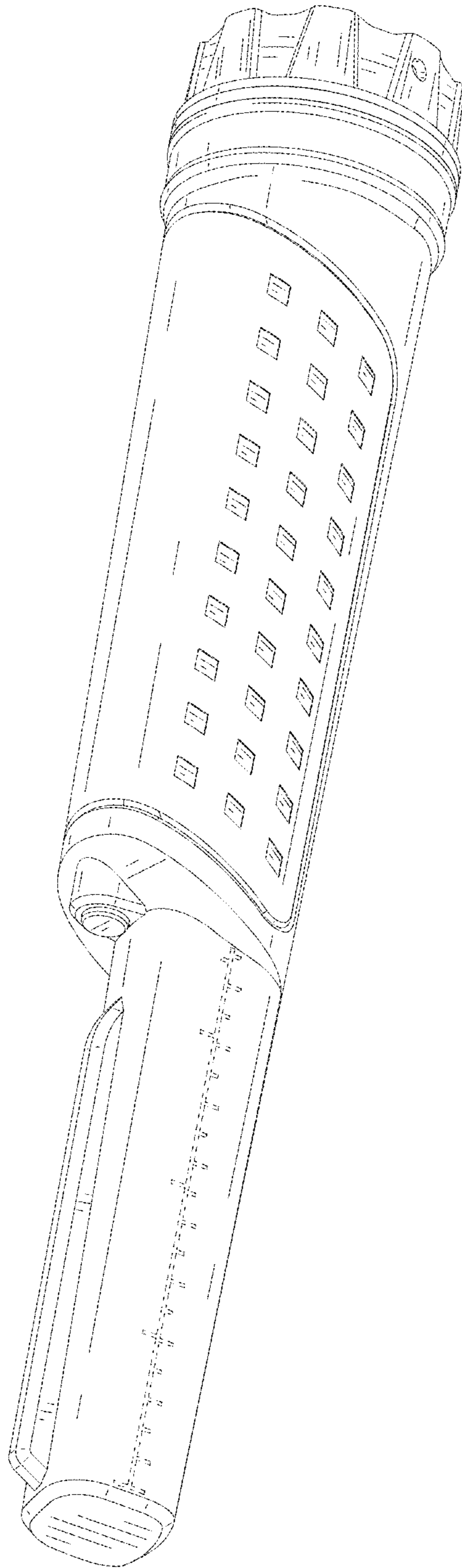


FIG. 2

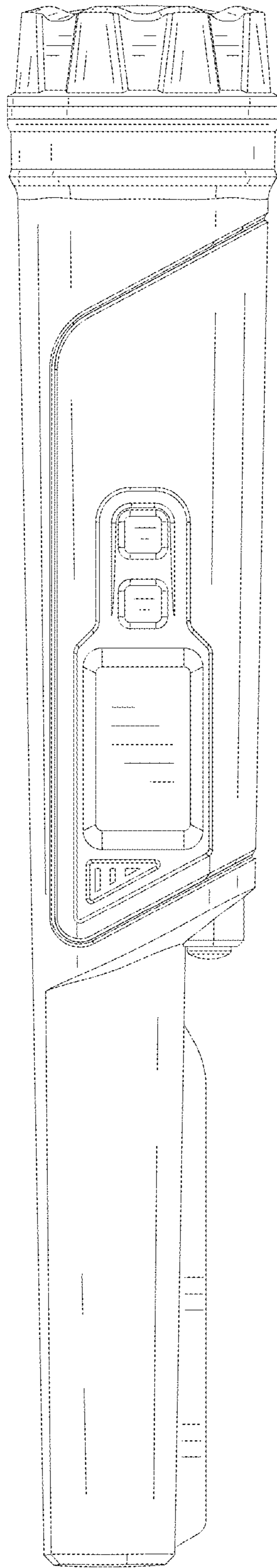


FIG. 3

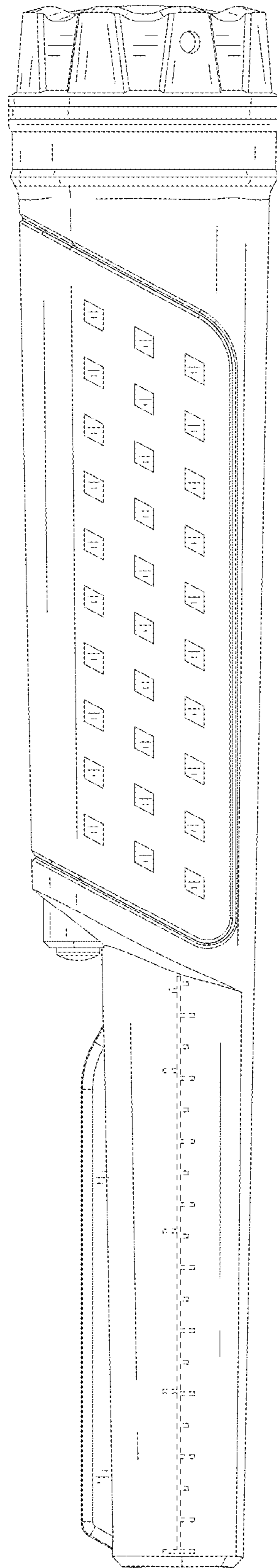


FIG. 4

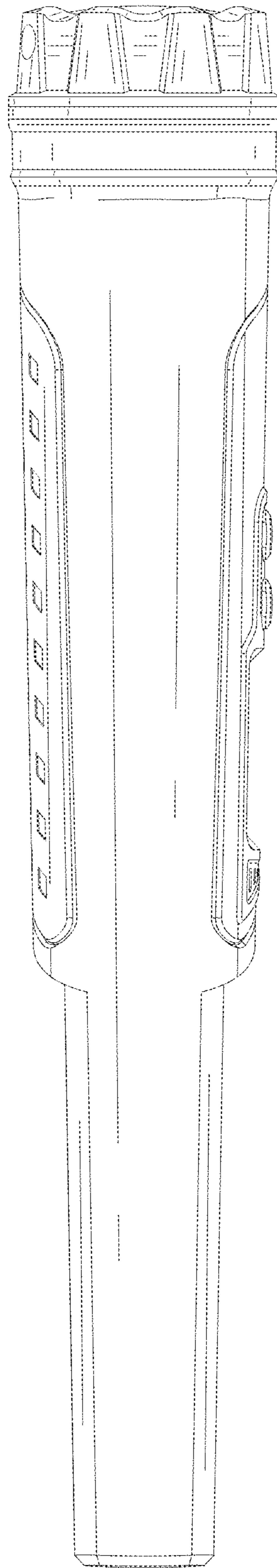


FIG. 5

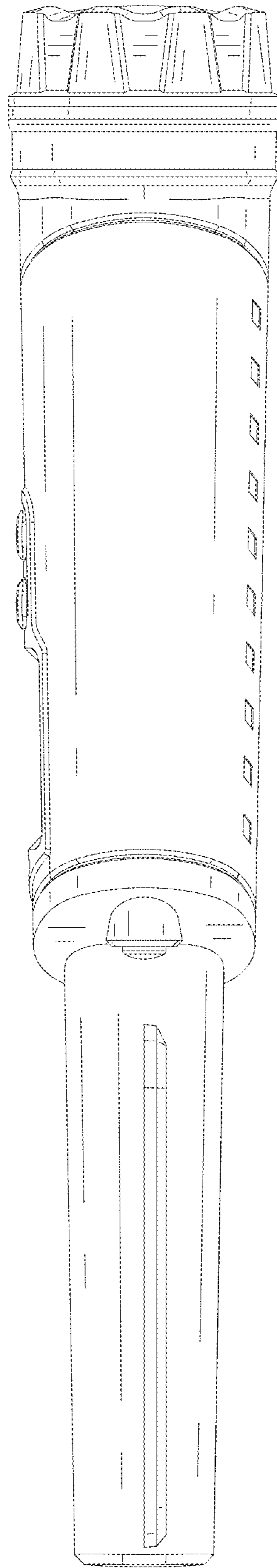


FIG. 6

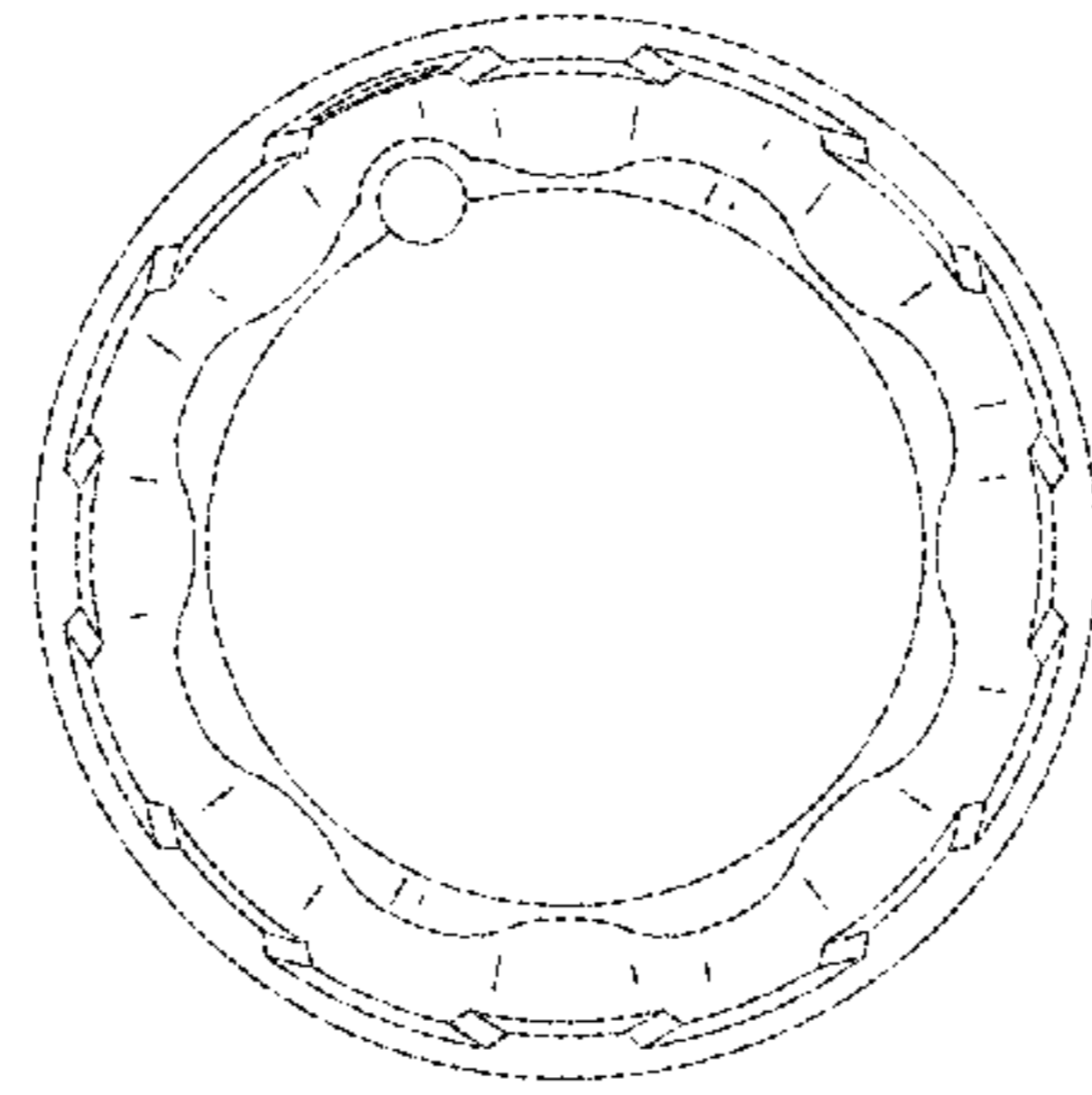


FIG. 7



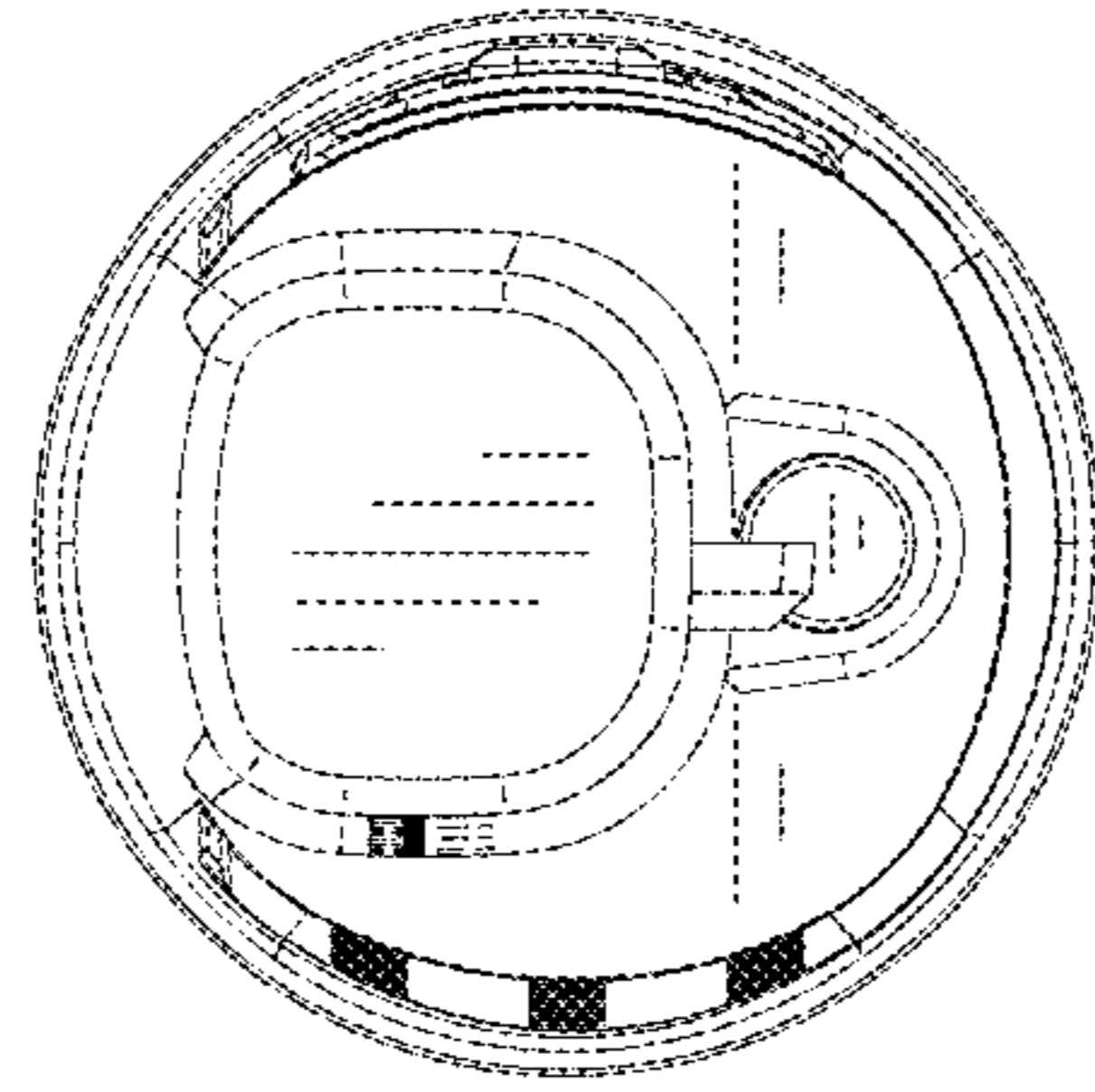


FIG. 8