



US00D988146S

(12) **United States Design Patent**
Mori et al.

(10) **Patent No.:** **US D988,146 S**
(45) **Date of Patent:** **** Jun. 6, 2023**

- (54) **COMPOSITE SENSOR**
- (71) Applicant: **Mitsubishi Electric Corporation,**
Tokyo (JP)
- (72) Inventors: **Hirofumi Mori,** Tokyo (JP); **Yuki**
Motomura, Tokyo (JP)
- (73) Assignee: **Mitsubishi Electric Corporation,**
Tokyo (JP)

- D832,119 S * 10/2018 Choi D10/52
- D838,190 S * 1/2019 Lai D10/53
- D849,570 S * 5/2019 Sakalowsky D10/52
- D850,627 S * 6/2019 Purani D10/70
- D850,941 S * 6/2019 Israni D10/70
- D859,195 S * 9/2019 Kristensson D10/106.1
- D865,556 S * 11/2019 Siminoff D10/106.1
- D871,933 S * 1/2020 Zhang D10/50
- D876,249 S * 2/2020 Bee D10/53
- D876,255 S * 2/2020 Möller D10/70
- D881,040 S * 4/2020 Hernandez D10/52
- D889,296 S * 7/2020 Loh D10/106.1

(Continued)

- (**) Term: **15 Years**
- (21) Appl. No.: **29/798,359**
- (22) Filed: **Jul. 7, 2021**

Primary Examiner — George D. Kirschbaum
Assistant Examiner — Antoinette Martine Suiter
(74) *Attorney, Agent, or Firm* — Studebaker & Brackett
PC

(30) **Foreign Application Priority Data**

Jan. 28, 2021 (JP) 2021-001821 D

- (51) **LOC (14) Cl.** **10-04**
- (52) **U.S. Cl.**
USPC **D10/46**

- (58) **Field of Classification Search**
USPC D10/81, 70, 91, 64, 46, 100, 83-89, 50,
D10/52, 53, 56, 96, 104.1, 104.2, 106.1,
D10/121
CPC B60R 2001/1223; B60R 2300/8093; B60R
16/023; B60R 2300/8066; G01K 1/08
See application file for complete search history.

(56) **References Cited**

U.S. PATENT DOCUMENTS

- D619,023 S * 7/2010 Brooking D10/56
- D693,249 S * 11/2013 Anderssen D10/70
- D712,290 S * 9/2014 Kagan D10/103
- D712,291 S * 9/2014 Kagan D10/103
- D825,359 S * 8/2018 Lee D10/70
- D826,757 S * 8/2018 Thornton D10/106.1
- D828,816 S * 9/2018 Spors D10/50
- D830,860 S * 10/2018 Berman D10/50
- D830,869 S * 10/2018 Siminoff D10/106.1

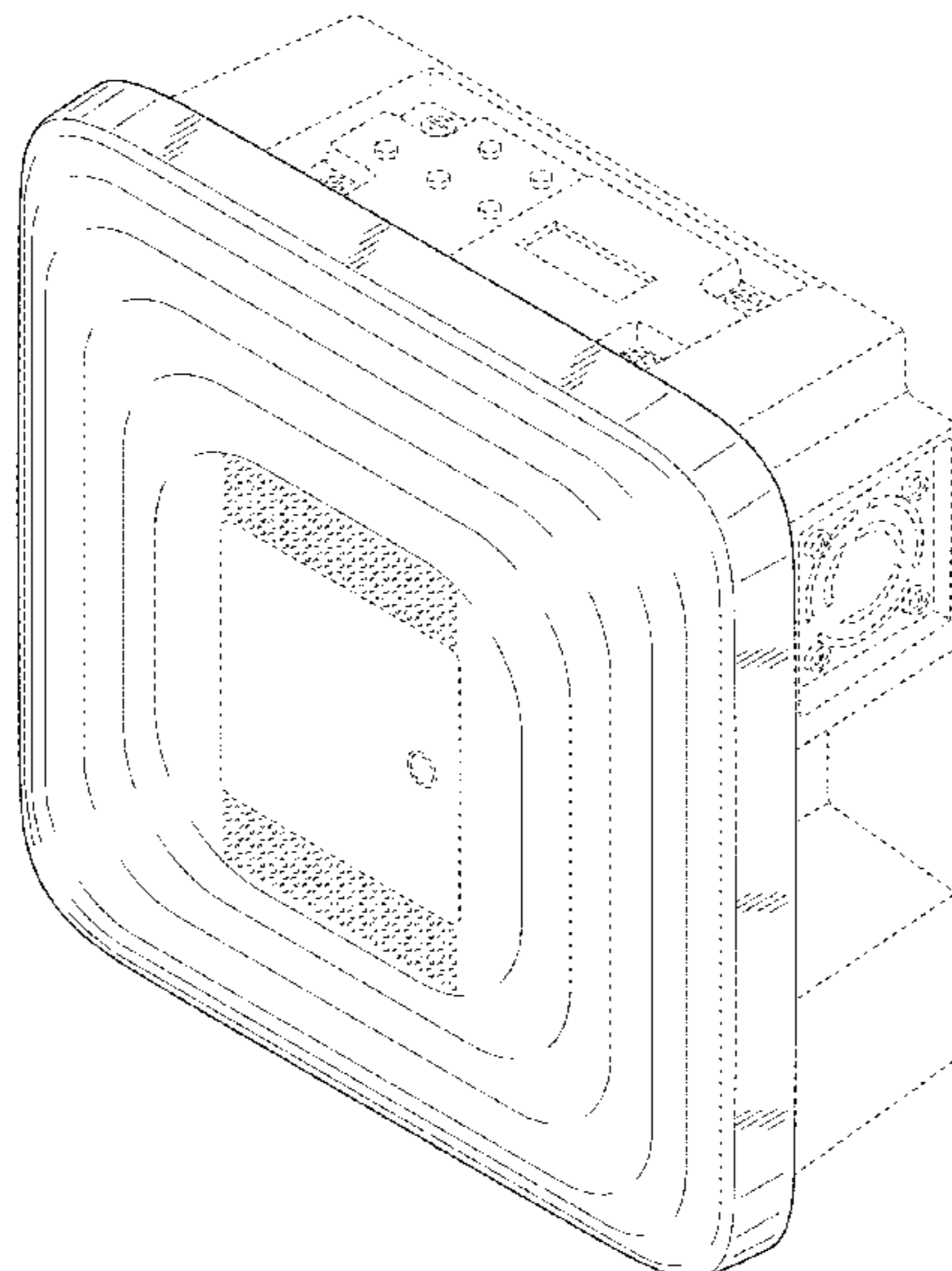
(57) **CLAIM**

The ornamental design for a composite sensor, as shown and described.

DESCRIPTION

FIG. 1 is a first perspective view of the front, top, and right sides of a composite sensor showing our new design; FIG. 2 is a second perspective view of the rear, bottom, and left sides thereof; FIG. 3 is a front view thereof; FIG. 4 is a rear view thereof; FIG. 5 is a top plan view thereof; FIG. 6 is a bottom view thereof; FIG. 7 is a right side view thereof; FIG. 8 is a left side view thereof; FIG. 9 is an enlarged view of a part 9-9 in FIG. 3; and, FIG. 10 is an enlarged cross-sectional view taken along line 10-10 of FIG. 9 at area of 10-10 in FIG. 7. The broken lines shown represent portions of the composite sensor and form no part of the claimed design. The dot-dash broken lines disclose boundaries of enlarged views and form no part of the claimed design.

1 Claim, 10 Drawing Sheets



(56)

References Cited

U.S. PATENT DOCUMENTS

D921,499	S *	6/2021	Konotopskyi	D10/56
D939,361	S *	12/2021	Yang	D10/53
D942,284	S *	2/2022	Burns	D10/70
D952,477	S *	5/2022	Gong	D10/52
D954,569	S *	6/2022	Rundberg	D10/53
D956,594	S *	7/2022	Atwood	D10/104.1
D956,595	S *	7/2022	Yang	D10/106.1
D962,088	S *	8/2022	Han	D10/50
2011/0140215	A1 *	6/2011	Sato	G01L 9/0042 257/419
2011/0226773	A1 *	9/2011	Rundberg	A45D 33/006 220/345.1
2022/0236512	A1 *	7/2022	Yoneda	H01L 31/02325
2022/0238587	A1 *	7/2022	Yoneda	H01L 27/14685

* cited by examiner

FIG. 1

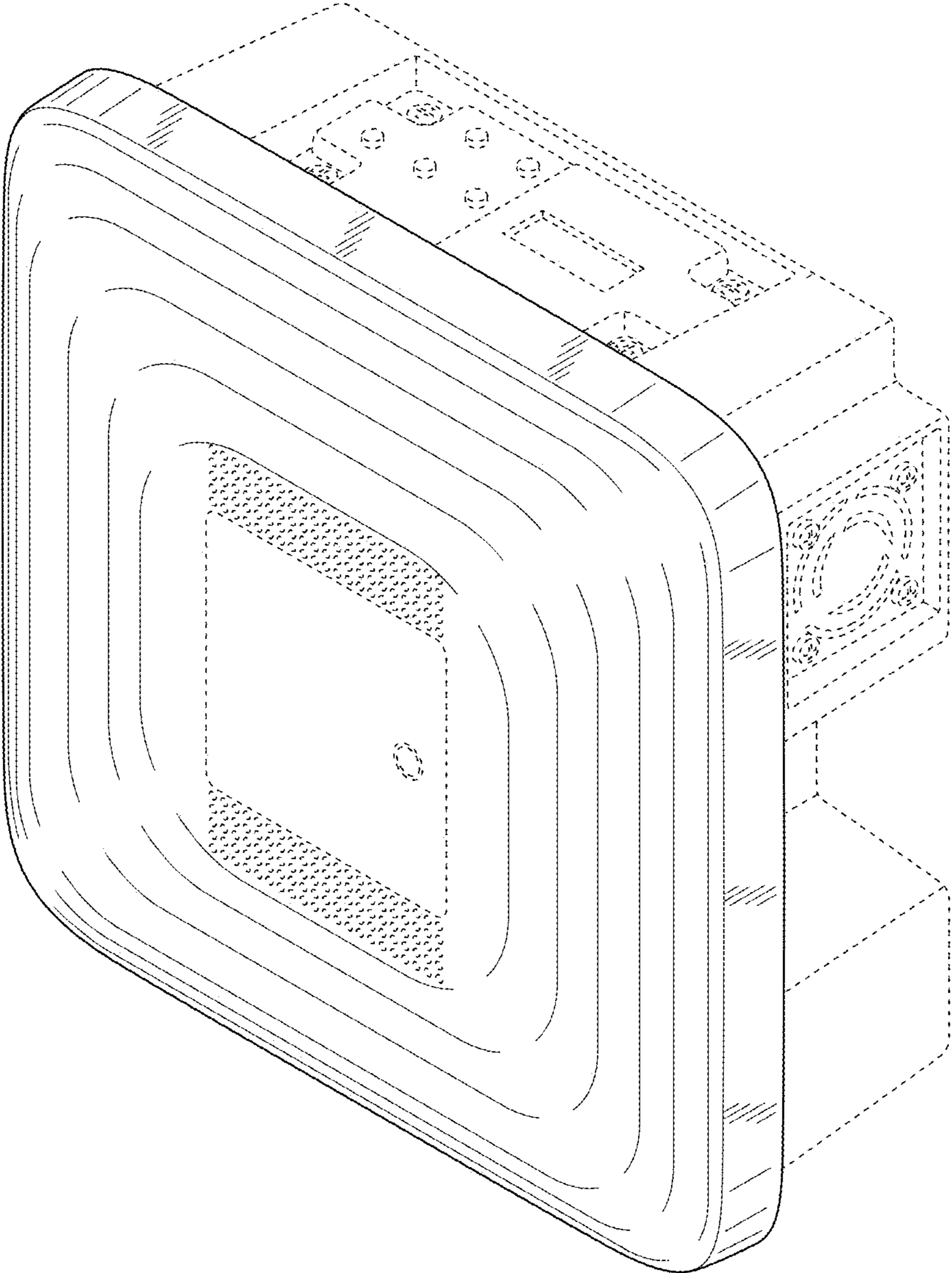


FIG. 2

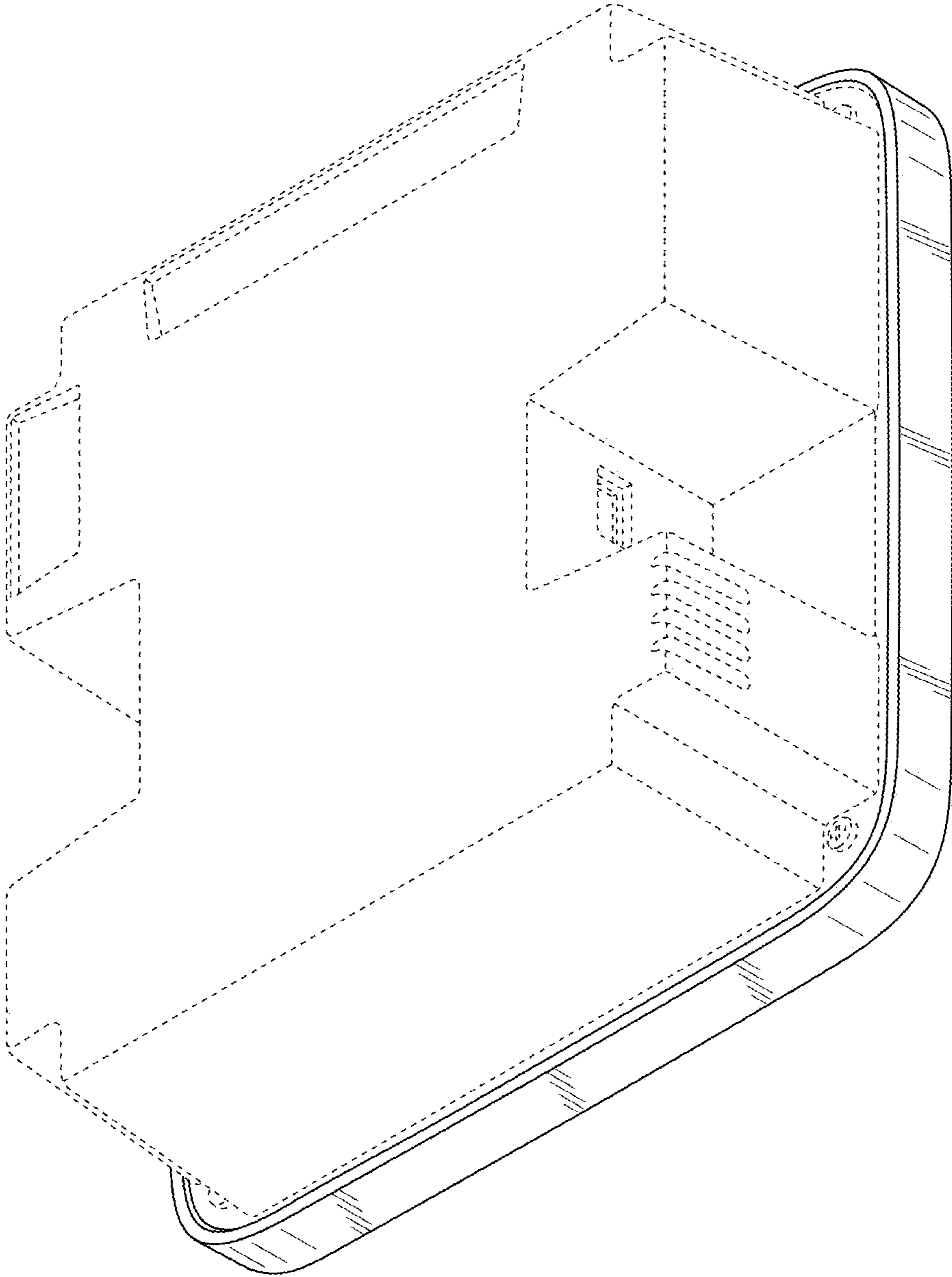


FIG. 3

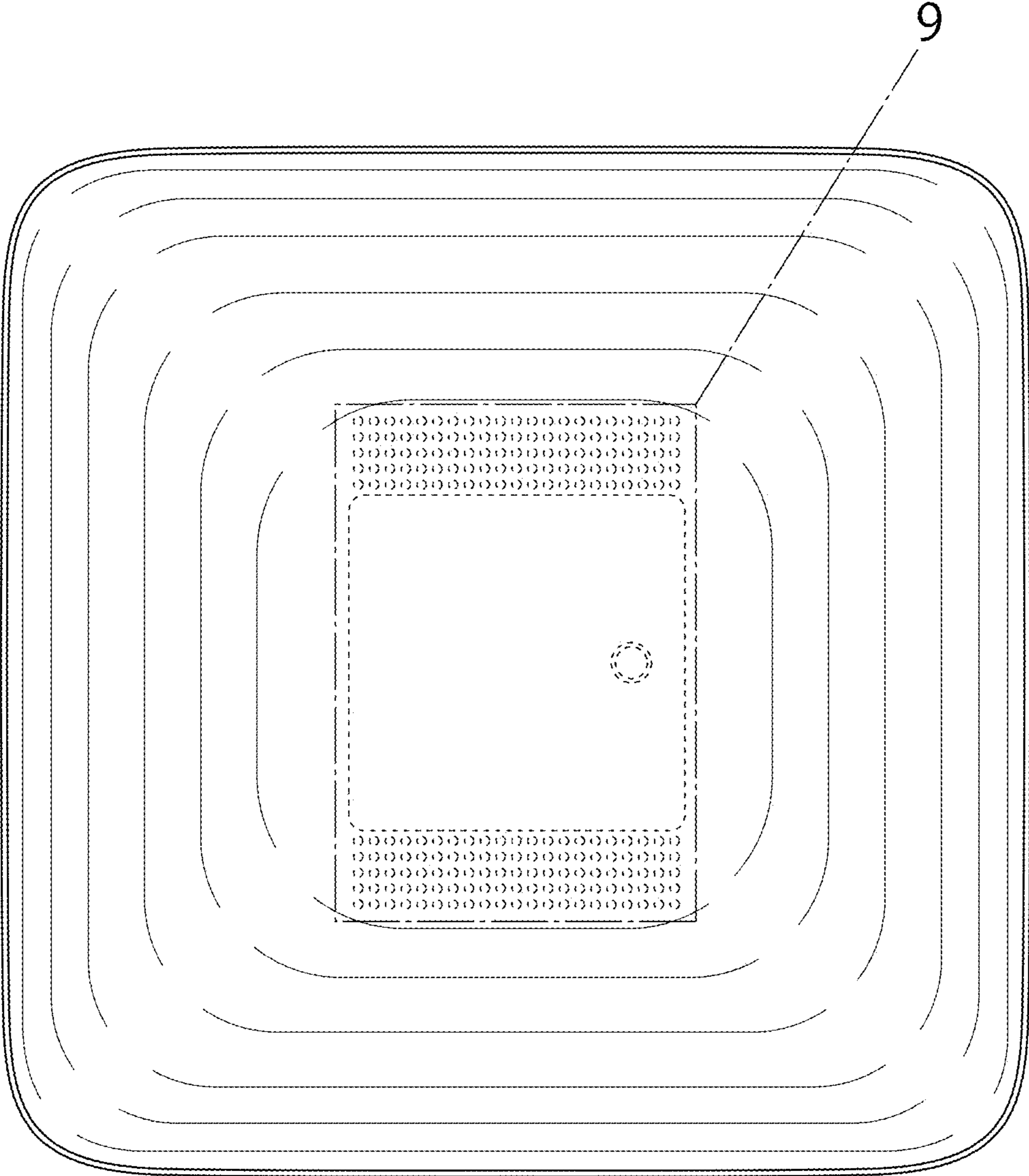


FIG. 4

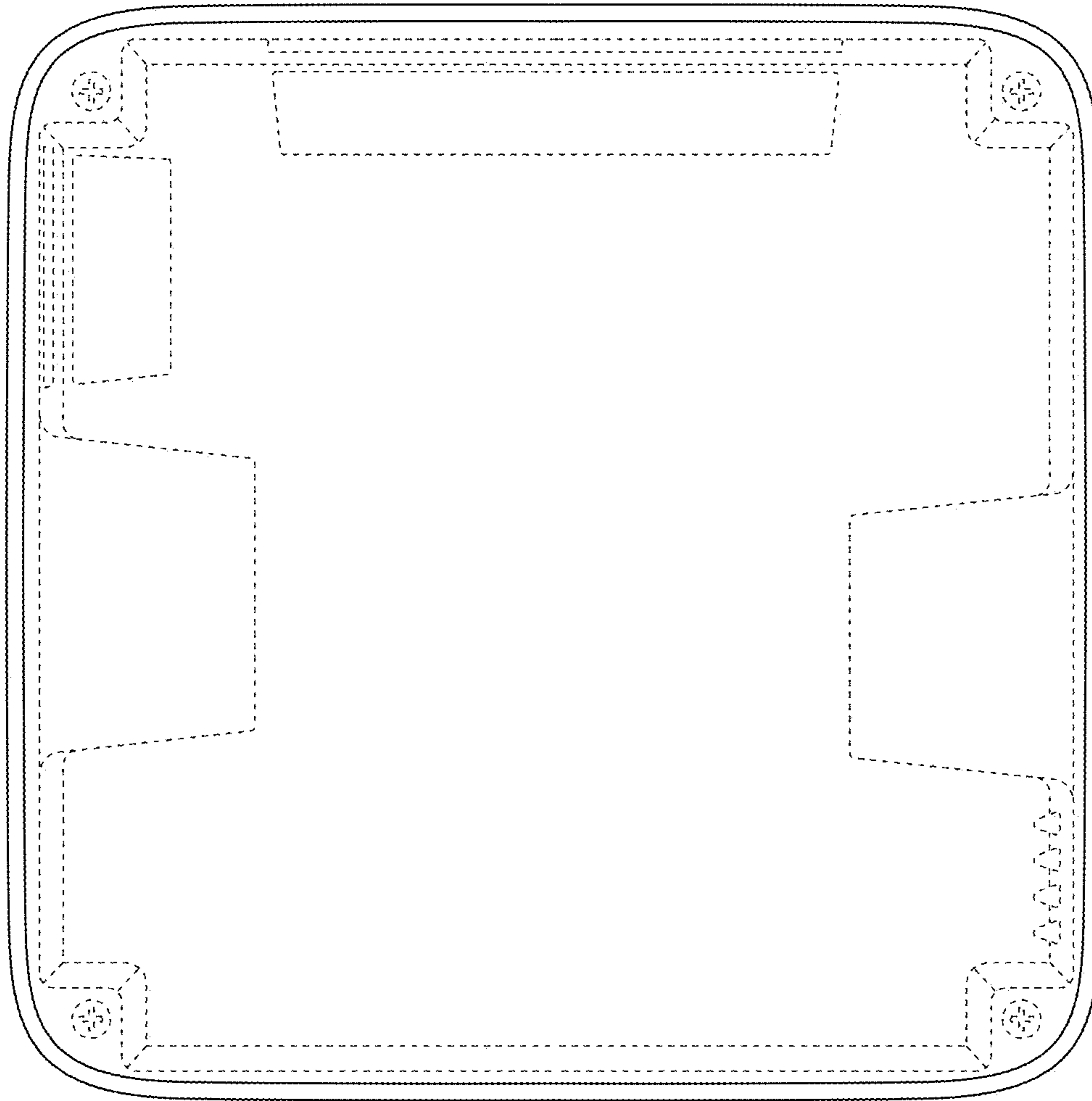


FIG. 5

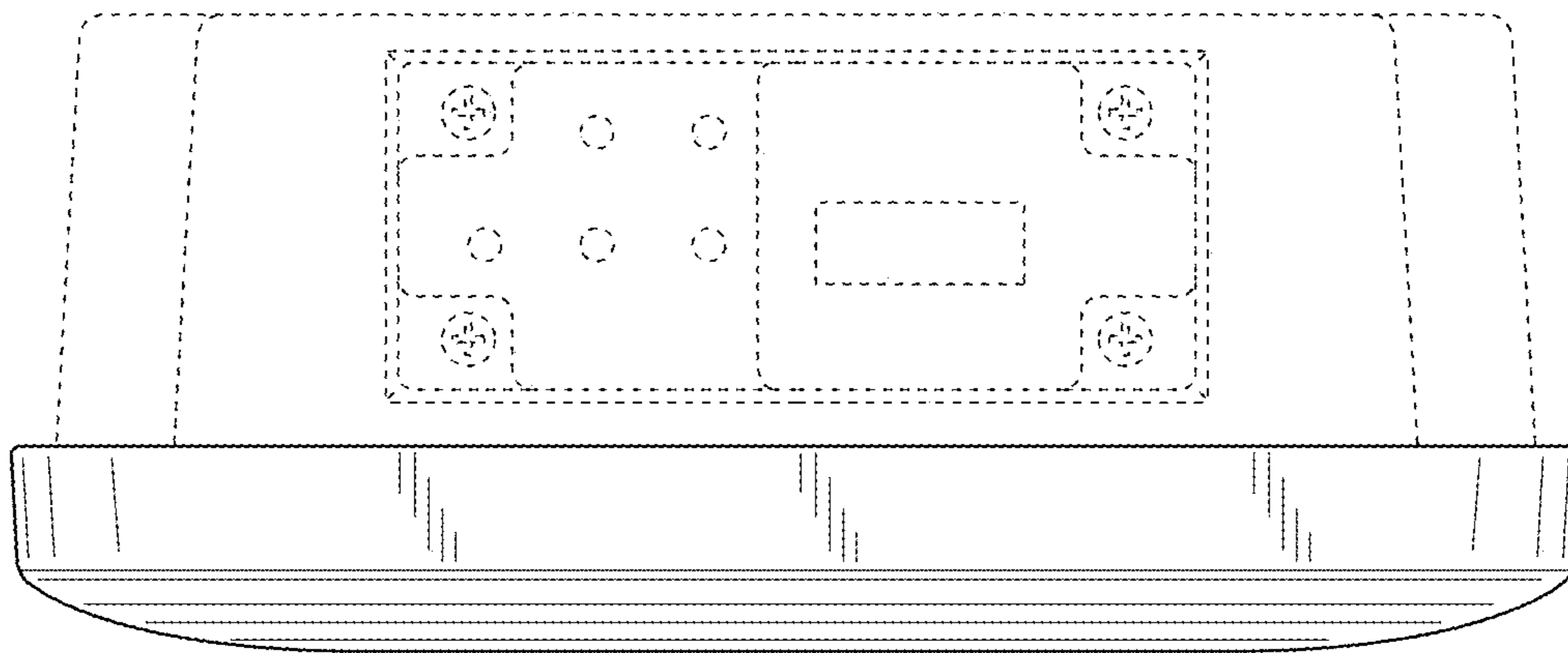


FIG. 6

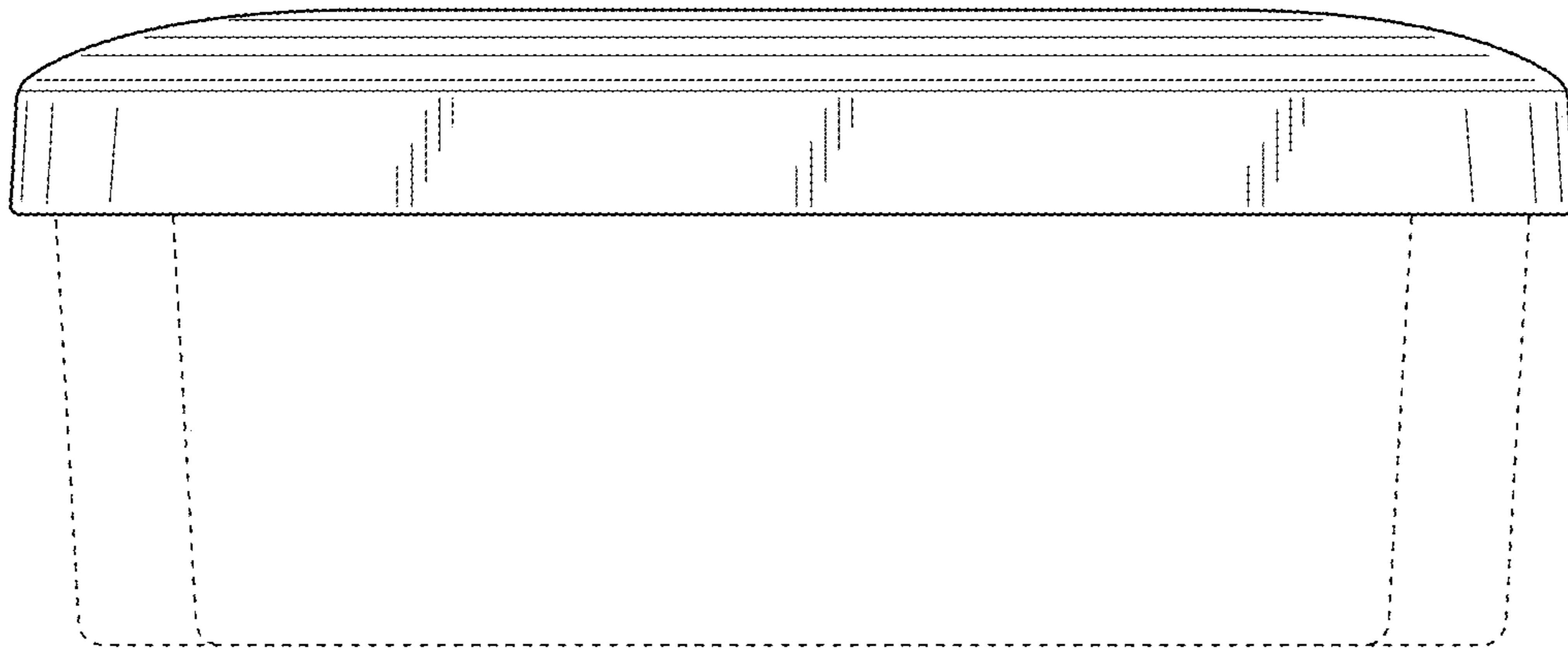


FIG. 7

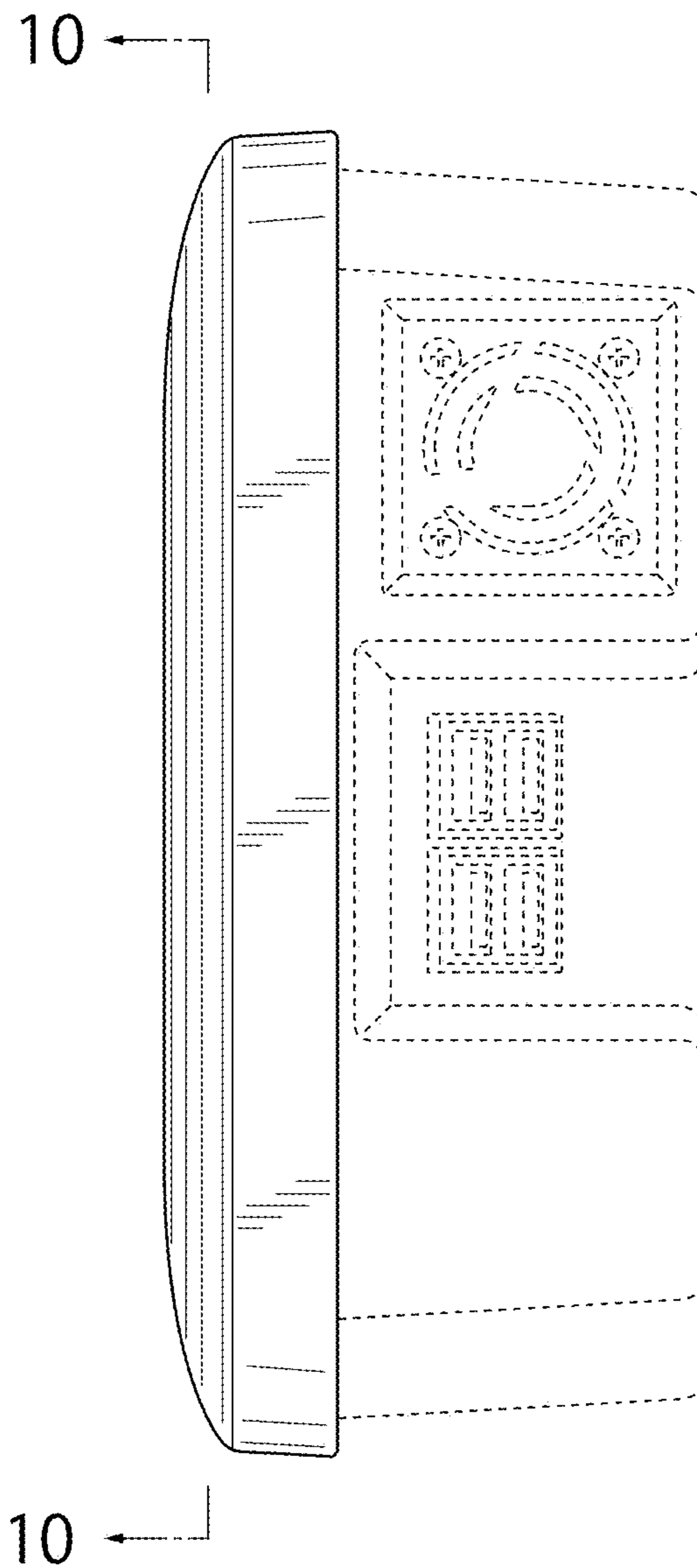


FIG. 8

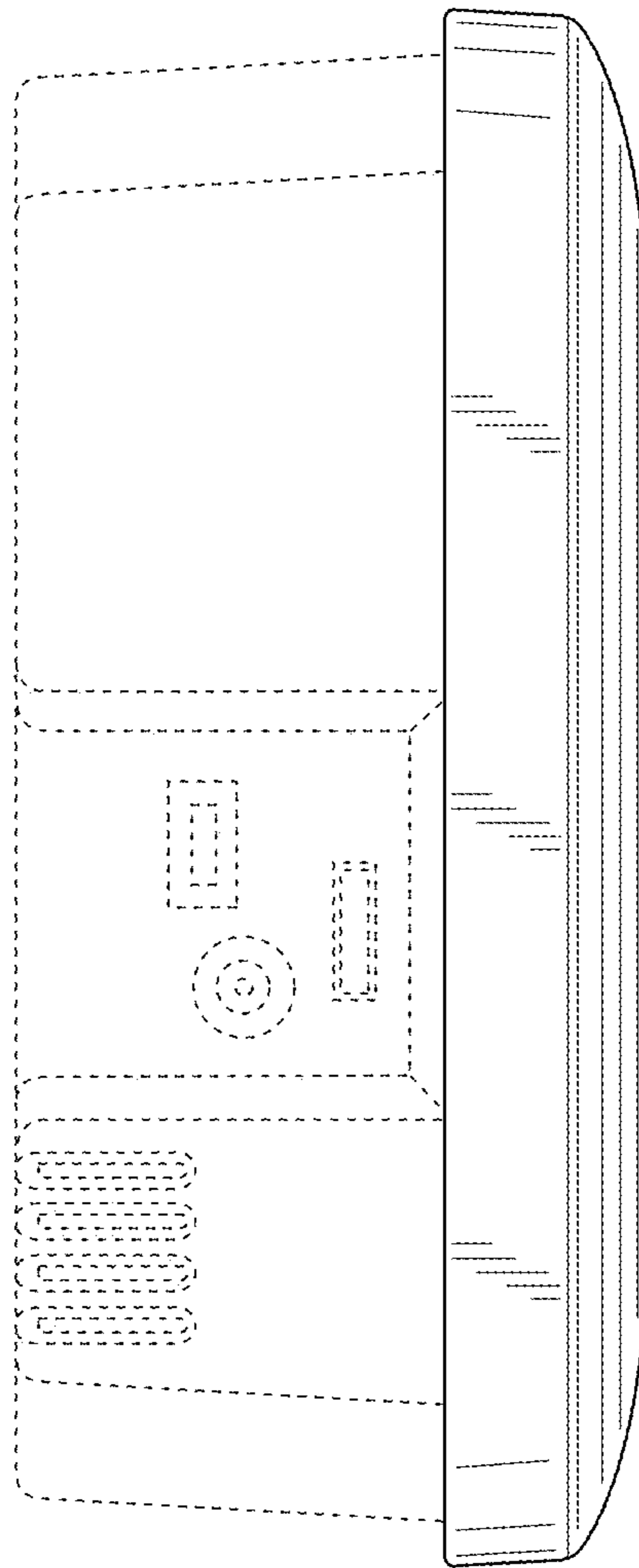


FIG. 9

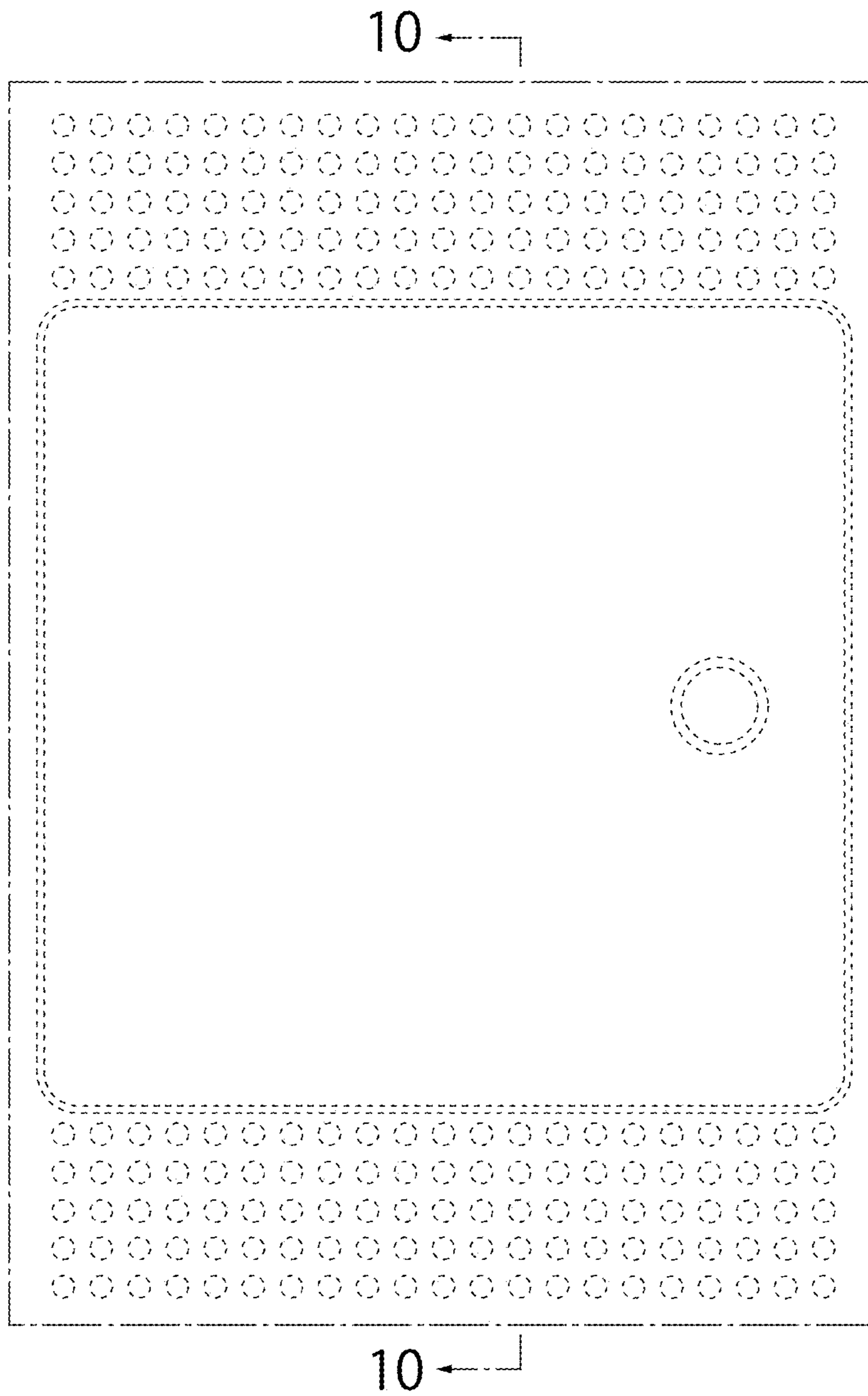


FIG. 10

