



US00D988145S

(12) **United States Design Patent** (10) **Patent No.:** **US D988,145 S**
Mori et al. (45) **Date of Patent:** **** Jun. 6, 2023**

(54) **COMPOSITE SENSOR**
(71) Applicant: **Mitsubishi Electric Corporation,**
Tokyo (JP)
(72) Inventors: **Hirofumi Mori,** Tokyo (JP); **Yuki**
Motomura, Tokyo (JP)
(73) Assignee: **Mitsubishi Electric Corporation,**
Tokyo (JP)

(**) Term: **15 Years**
(21) Appl. No.: **29/798,337**
(22) Filed: **Jul. 7, 2021**

(30) **Foreign Application Priority Data**
Jan. 28, 2021 (JP) 2021-001820 D
(51) **LOC (14) Cl.** **10-04**
(52) **U.S. Cl.**
USPC **D10/46**
(58) **Field of Classification Search**
USPC D10/81, 70, 91, 64, 46, 100, 83-89, 50,
D10/52, 53, 56, 96, 104.1, 104.2, 106.1,
D10/121
CPC B60R 2001/1223; B60R 2300/8093; B60R
16/023; B60R 2300/8066; G01K 1/08
See application file for complete search history.

(56) **References Cited**
U.S. PATENT DOCUMENTS
D619,023 S * 7/2010 Brooking D10/56
D693,249 S * 11/2013 Anderssen D10/70
D712,290 S * 9/2014 Kagan D10/103
D712,291 S * 9/2014 Kagan D10/103
D825,359 S * 8/2018 Lee D10/70
D826,757 S * 8/2018 Thornton D10/106.1
D828,816 S * 9/2018 Spors D10/50
D830,860 S * 10/2018 Berman D10/50
D830,869 S * 10/2018 Siminoff D10/106.1

D832,119 S * 10/2018 Choi D10/52
D838,190 S * 1/2019 Lai D10/53
D849,570 S * 5/2019 Sakalowsky D10/52
D850,627 S * 6/2019 Purani D10/70
D850,941 S * 6/2019 Israni D10/70
D859,195 S * 9/2019 Kristensson D10/106.1
D865,556 S * 11/2019 Siminoff D10/106.1
D871,933 S * 1/2020 Zhang D10/50
D876,249 S * 2/2020 Bee D10/53
D876,255 S * 2/2020 Möller D10/70
D881,040 S * 4/2020 Hernandez D10/52
D889,296 S * 7/2020 Loh D10/106.1

(Continued)

Primary Examiner — George D. Kirschbaum
Assistant Examiner — Antoinette Martine Suiter
(74) *Attorney, Agent, or Firm* — Stuebaker & Brackett
PC

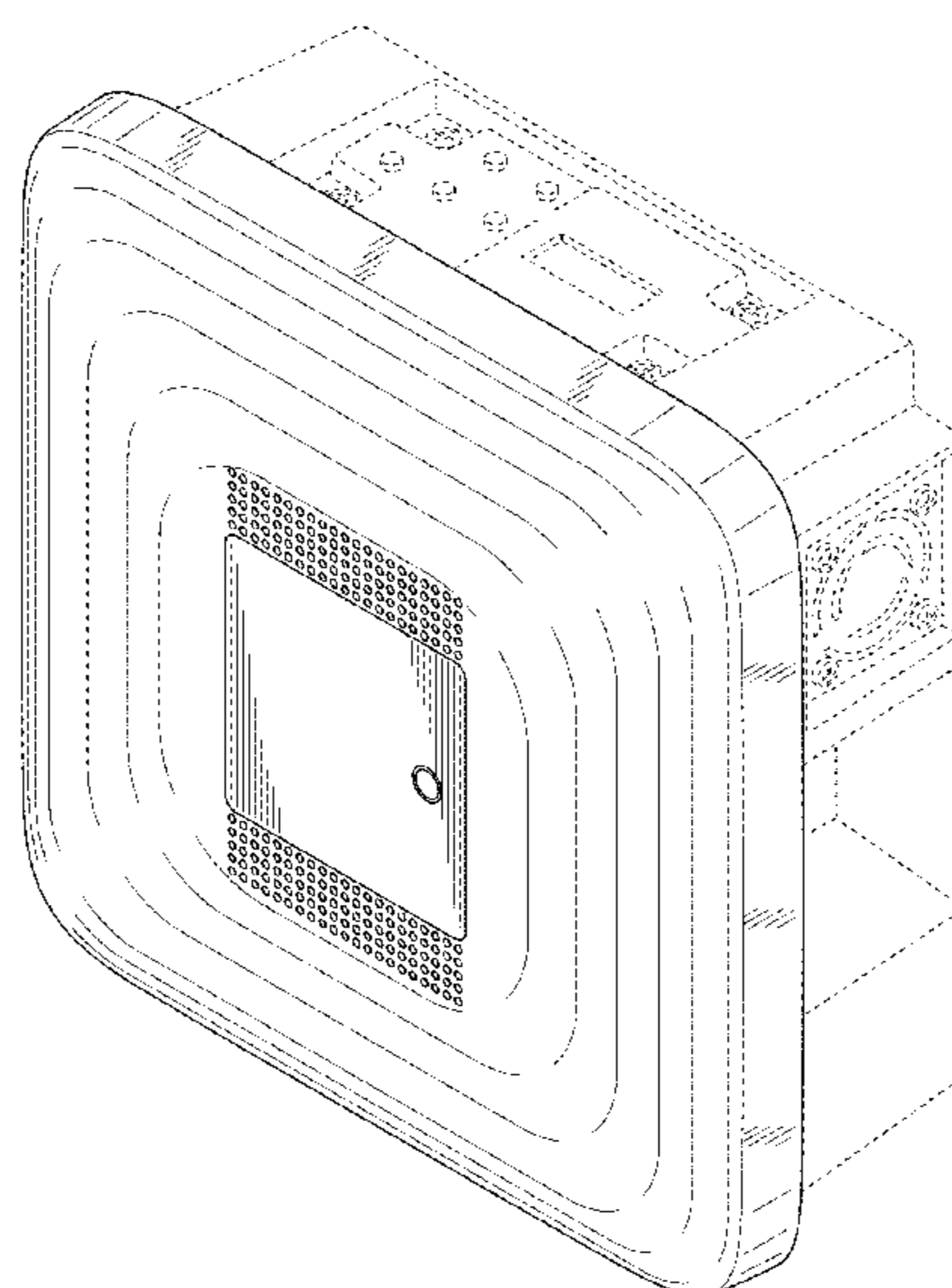
(57) **CLAIM**

The ornamental design for a composite sensor, as shown and described.

DESCRIPTION

FIG. 1 is a first perspective view of the front, top, and right sides of a composite sensor showing our new design; FIG. 2 is a second perspective view of the rear, bottom, and left sides thereof; FIG. 3 is a front view thereof; FIG. 4 is a rear view thereof; FIG. 5 is a top plan view thereof; FIG. 6 is a bottom view thereof; FIG. 7 is a right side view thereof; FIG. 8 is a left side view thereof; FIG. 9 is an enlarged view of a part 9-9 in FIG. 3; and, FIG. 10 is an enlarged cross-sectional view taken along line 10-10 of FIG. 9 at area of 10-10 in FIG. 7. The broken lines shown represent portions of the composite sensor and form no part of the claimed design. The dot-dash broken lines disclose boundaries of enlarged views and form no part of the claimed design.

1 Claim, 10 Drawing Sheets



(56)

References Cited

U.S. PATENT DOCUMENTS

D921,499 S * 6/2021 Konotopskyi D10/56
D939,361 S * 12/2021 Yang D10/53
D942,284 S * 2/2022 Burns D10/70
D952,477 S * 5/2022 Gong D10/52
D954,569 S * 6/2022 Rundberg D10/53
D956,594 S * 7/2022 Atwood D10/104.1
D956,595 S * 7/2022 Yang D10/106.1
D962,088 S * 8/2022 Han D10/50
2011/0140215 A1* 6/2011 Sato G01L 9/0042
257/419
2011/0226773 A1* 9/2011 Rundberg A45D 33/006
220/345.1
2022/0236512 A1* 7/2022 Yoneda H01L 31/02325
2022/0238587 A1* 7/2022 Yoneda H01L 27/14685

* cited by examiner

FIG. 1

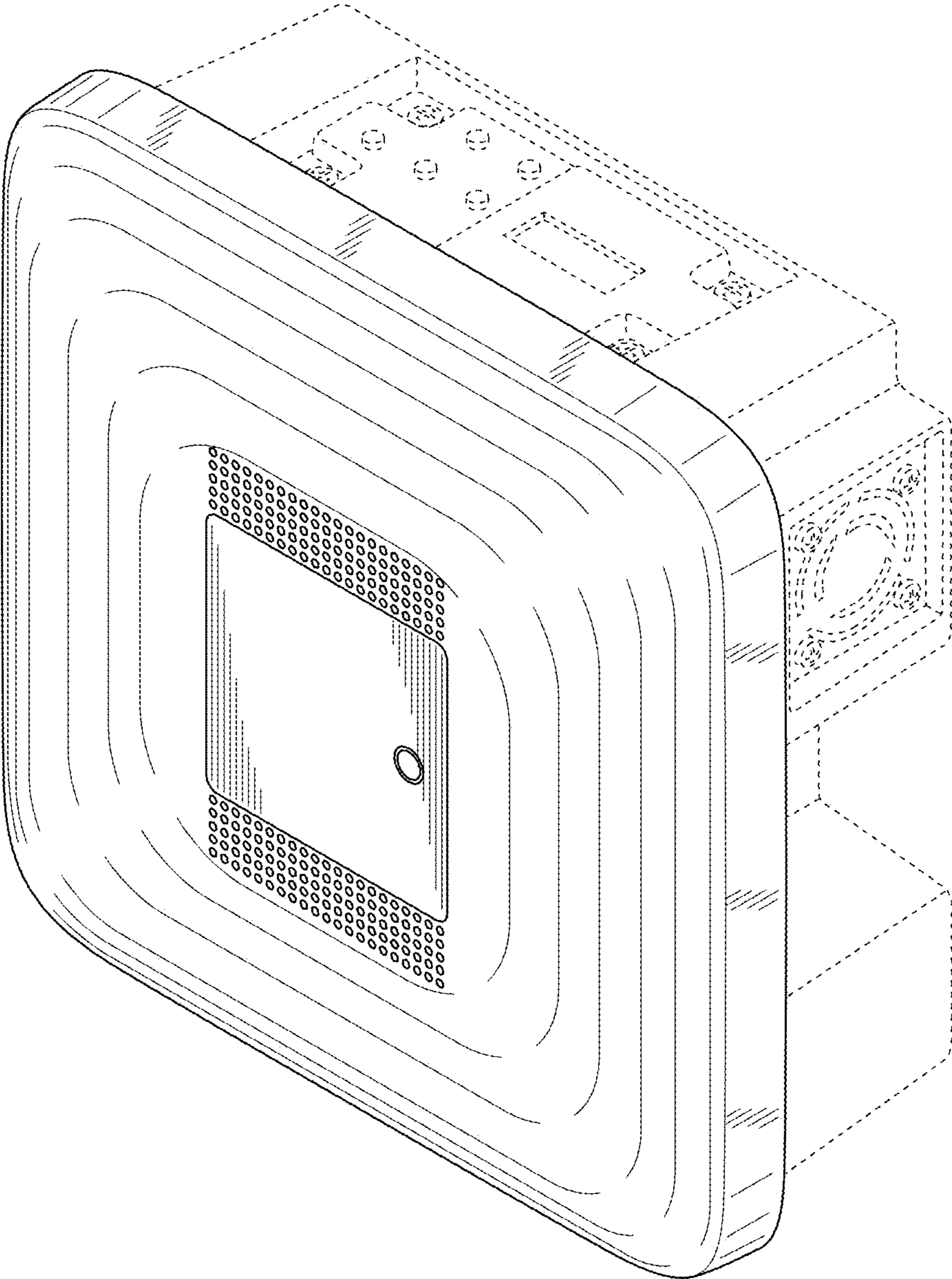


FIG. 2

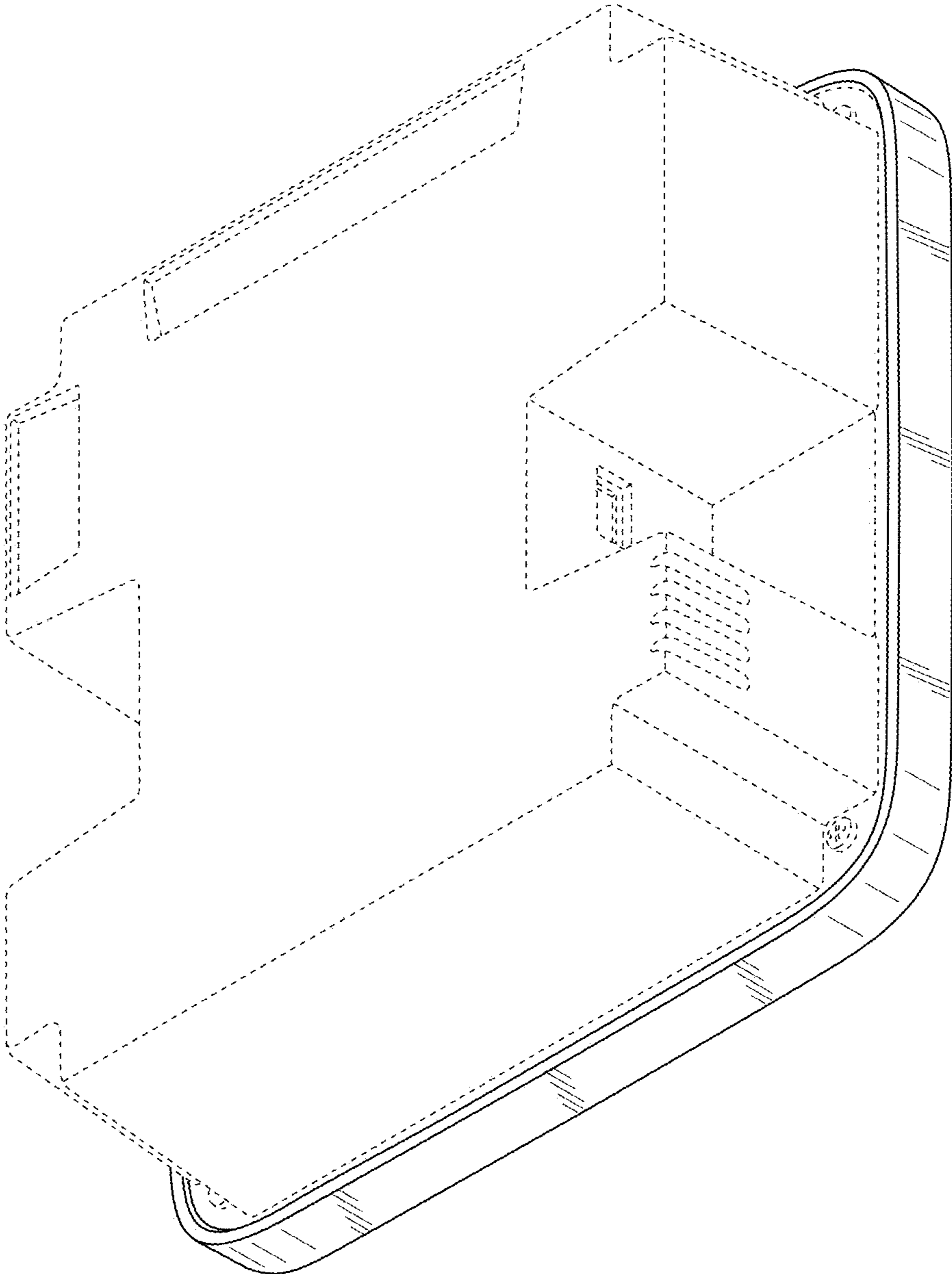


FIG. 3

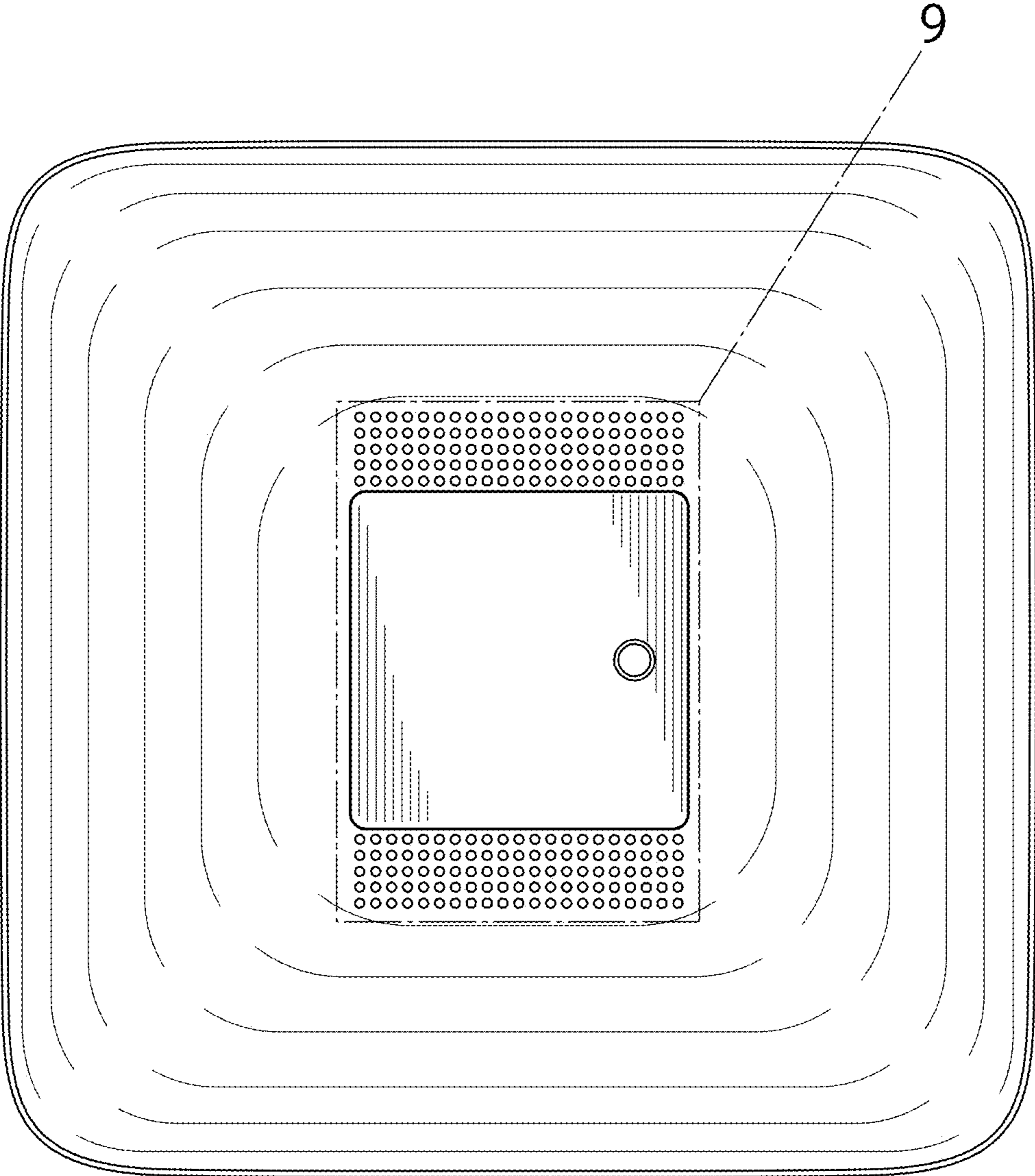


FIG. 4

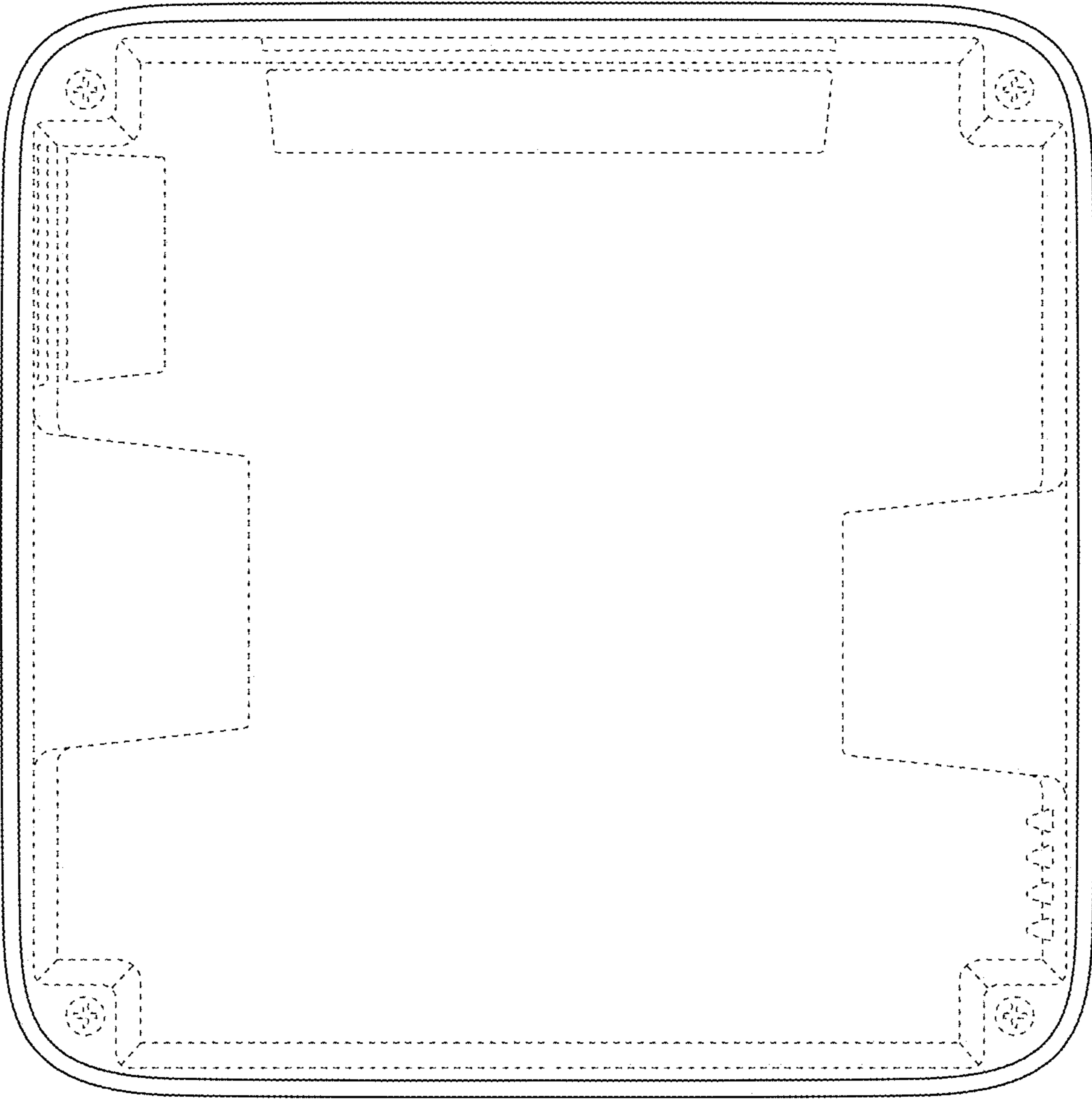


FIG. 5

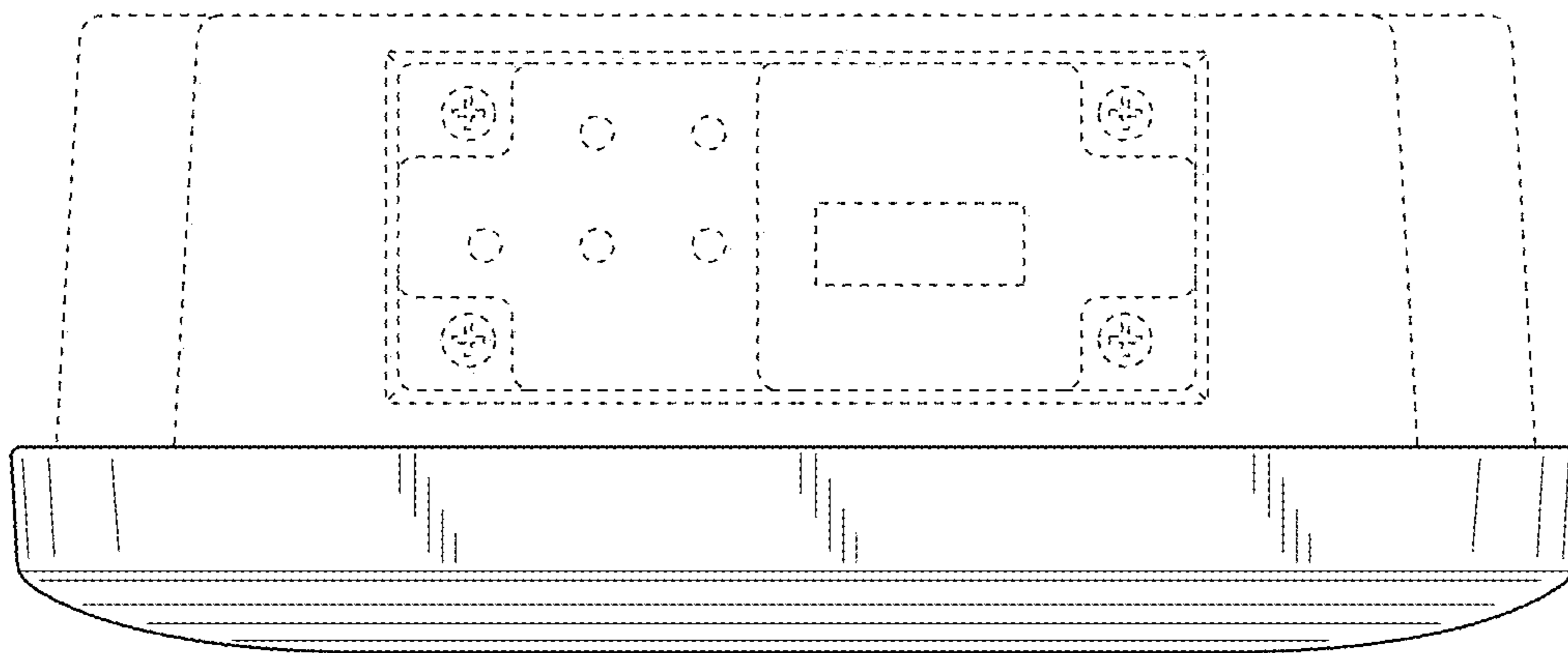


FIG. 6

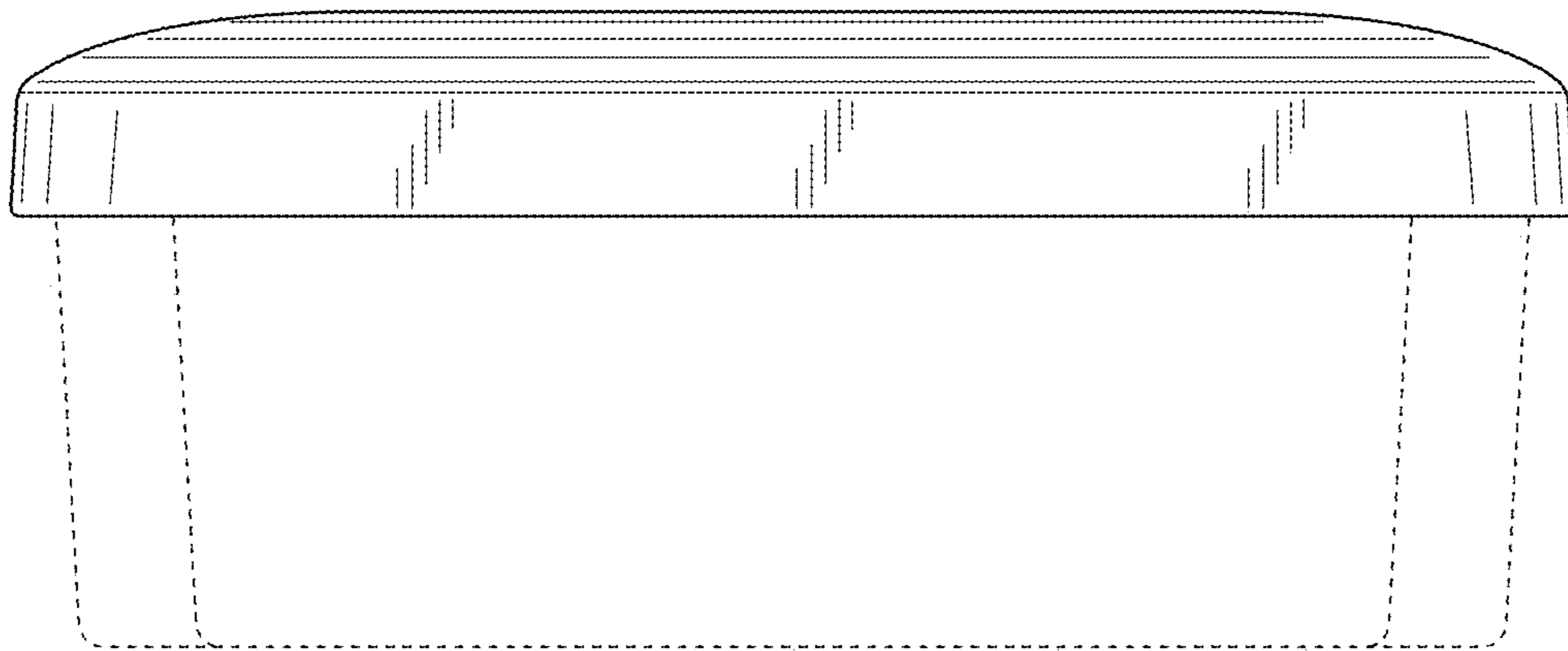


FIG. 7

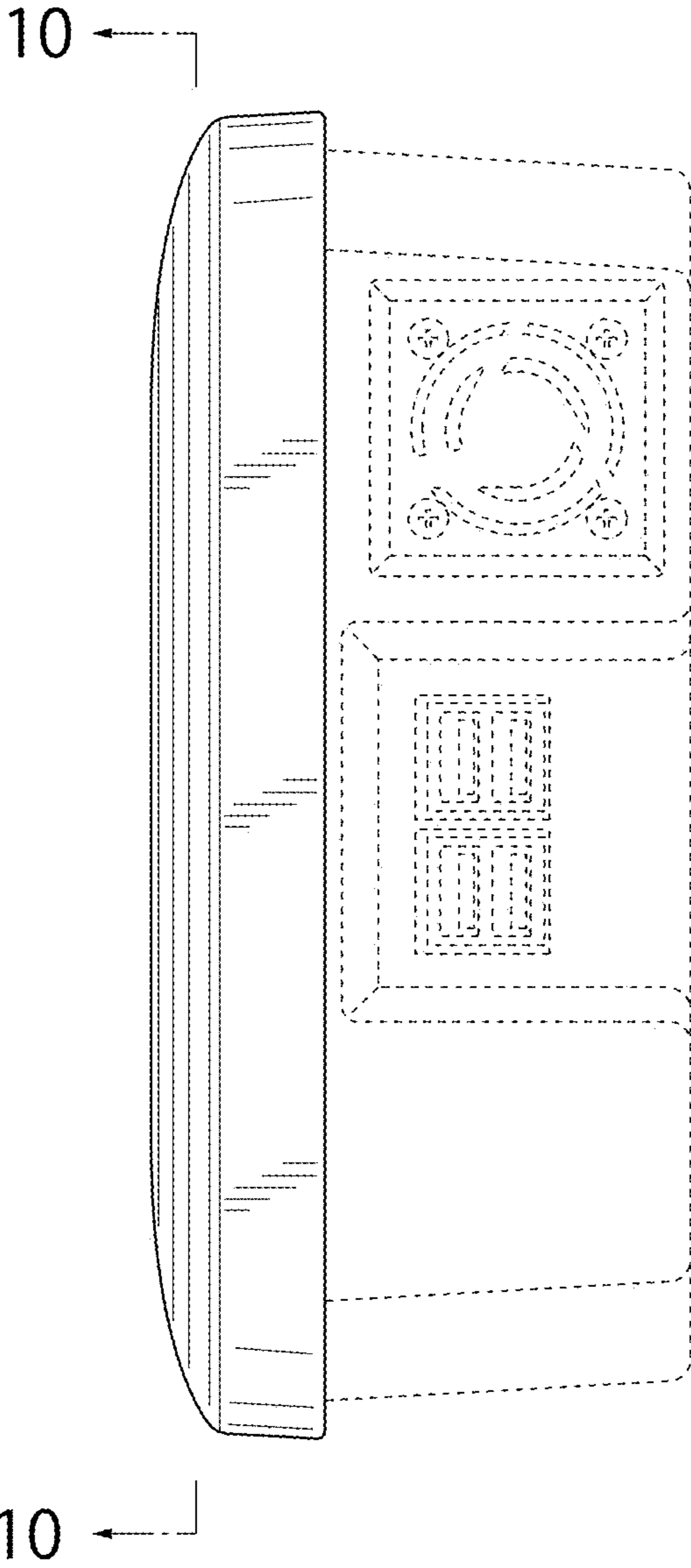


FIG. 8

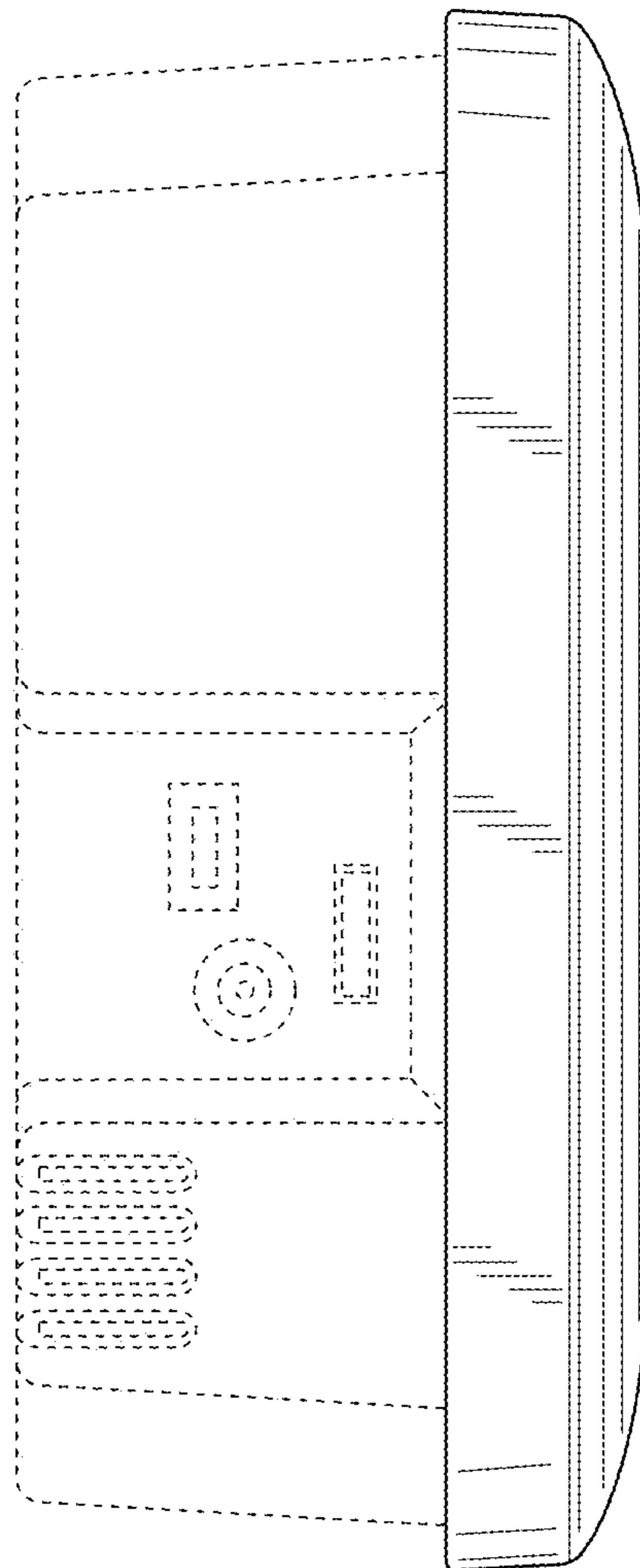


FIG. 9

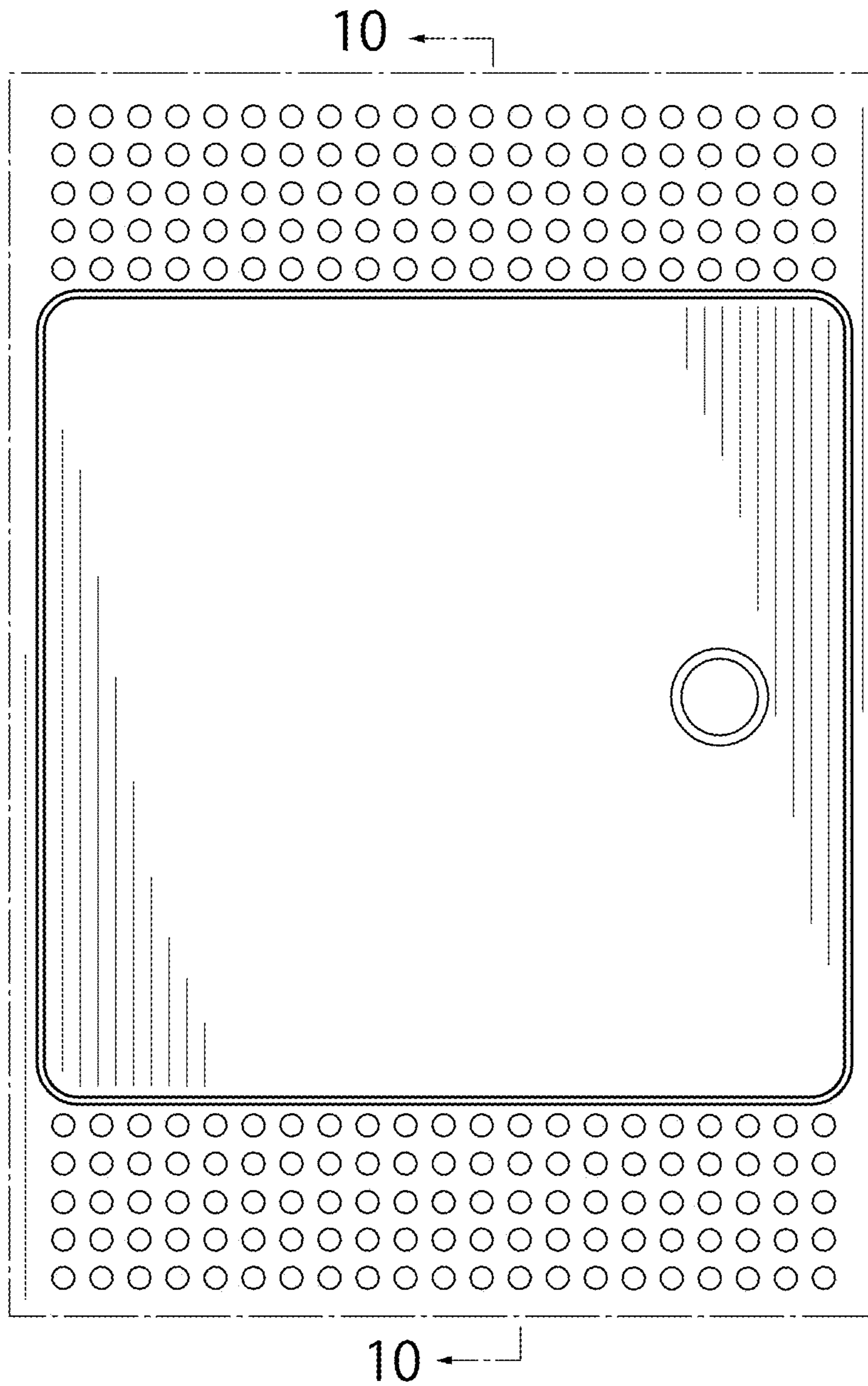


FIG. 10

