



US00D988144S

(12) **United States Design Patent** (10) **Patent No.:** **US D988,144 S**
Liu (45) **Date of Patent:** **** Jun. 6, 2023**

(54) **WATCH PROTECTIVE COVER**

- (71) Applicant: **Wen Liu**, Shenzhen (CN)
- (72) Inventor: **Wen Liu**, Shenzhen (CN)
- (**) Term: **15 Years**
- (21) Appl. No.: **29/884,919**
- (22) Filed: **Feb. 17, 2023**
- (51) **LOC (14) Cl.** **10-07**
- (52) **U.S. Cl.**
USPC **D10/132**
- (58) **Field of Classification Search**
USPC D10/30-39, 122, 128, 129-132; D11/3;
D14/344, 440
CPC A44C 5/00; A44C 5/0007; A44C 5/147;
A44C 17/02; A45C 2011/001-003; A45C
15/08; A45C 11/10; A45C 11/12; G04B
37/005; G04B 37/0058; G04B 37/084;
G04B 37/087; G04G 17/08
See application file for complete search history.

(56) **References Cited**

U.S. PATENT DOCUMENTS

D717,683 S	11/2014	Grinberg	
D786,879 S *	5/2017	Kim	D14/440
D853,878 S *	7/2019	Wright	D10/128
D897,350 S *	9/2020	Wang	D14/440
D902,933 S *	11/2020	Zhang	D14/440
D909,903 S *	2/2021	Lin	D10/132
D913,138 S	3/2021	Maile et al.	
D942,981 S *	2/2022	Kim	D14/440
D944,678 S	3/2022	Roberts	
D947,055 S *	3/2022	Tian	D14/440
D947,839 S *	4/2022	Akana	D14/344
D958,683 S *	7/2022	Liu	D14/440
D974,215 S *	1/2023	Zhou	D10/132
2017/0248922 A1 *	8/2017	Hynecek	A45C 11/12

OTHER PUBLICATIONS

JZK Screen Protector for Gizmo Watch 2 | amazon.com; date first avail. Aug. 15, 2022 [online]. © 1996-2023, Amazon.com, Inc [retrieved Mar. 23, 2023] from Internet: <https://www.amazon.com/JZK-Protector-Definition-Protective-Accessories/dp/B0B9M92ZM3?th=1> (Year: 2022).*

BlackPro SyncUp Kids Watch Screen Protector | amazon.com; date first avail. May 5, 2022 [online]. © 1996-2023, Amazon.com, Inc [retrieved Mar. 23, 2023] from Internet: <https://www.amazon.com/BlackPro-Compatible-SyncUp-Protector-Tempered/dp/B0B93NG746 > (Year: 2022).*

* cited by examiner

Primary Examiner — Katherine Glennon
(74) *Attorney, Agent, or Firm* — Rumit Ranjit Kanakia

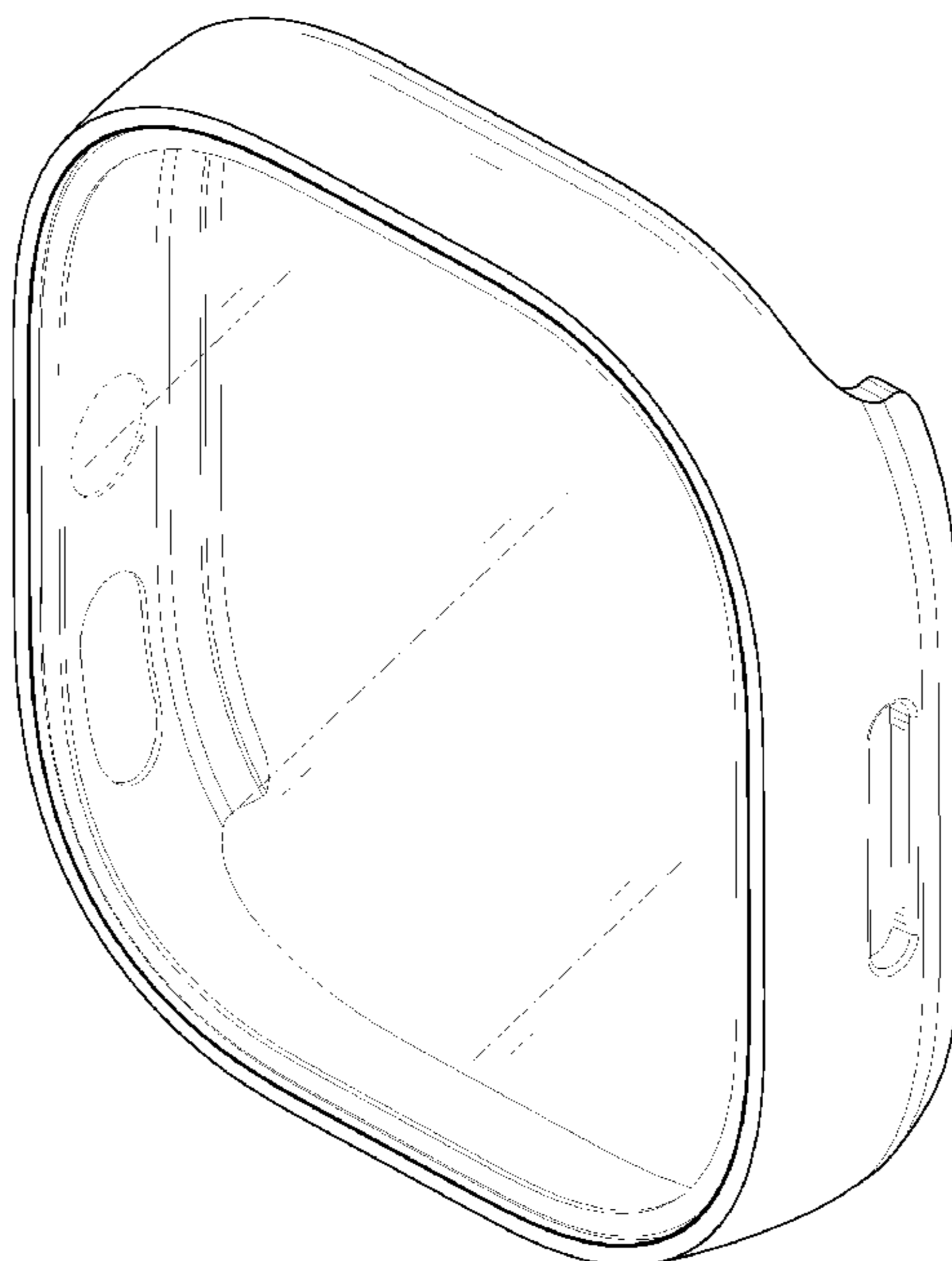
(57) **CLAIM**

The ornamental design for a watch protective cover, as shown and described.

DESCRIPTION

FIG. 1 is a first perspective view of a watch protective cover showing my new design;
FIG. 2 is a second perspective view thereof;
FIG. 3 is a front view thereof;
FIG. 4 is a back view thereof;
FIG. 5 is a left side view thereof;
FIG. 6 is a right side view thereof;
FIG. 7 is a top view thereof; and,
FIG. 8 is a bottom view thereof.
The broken lines shown, in the drawings depict portions of the watch protective cover that form no part of the claimed design.

1 Claim, 8 Drawing Sheets



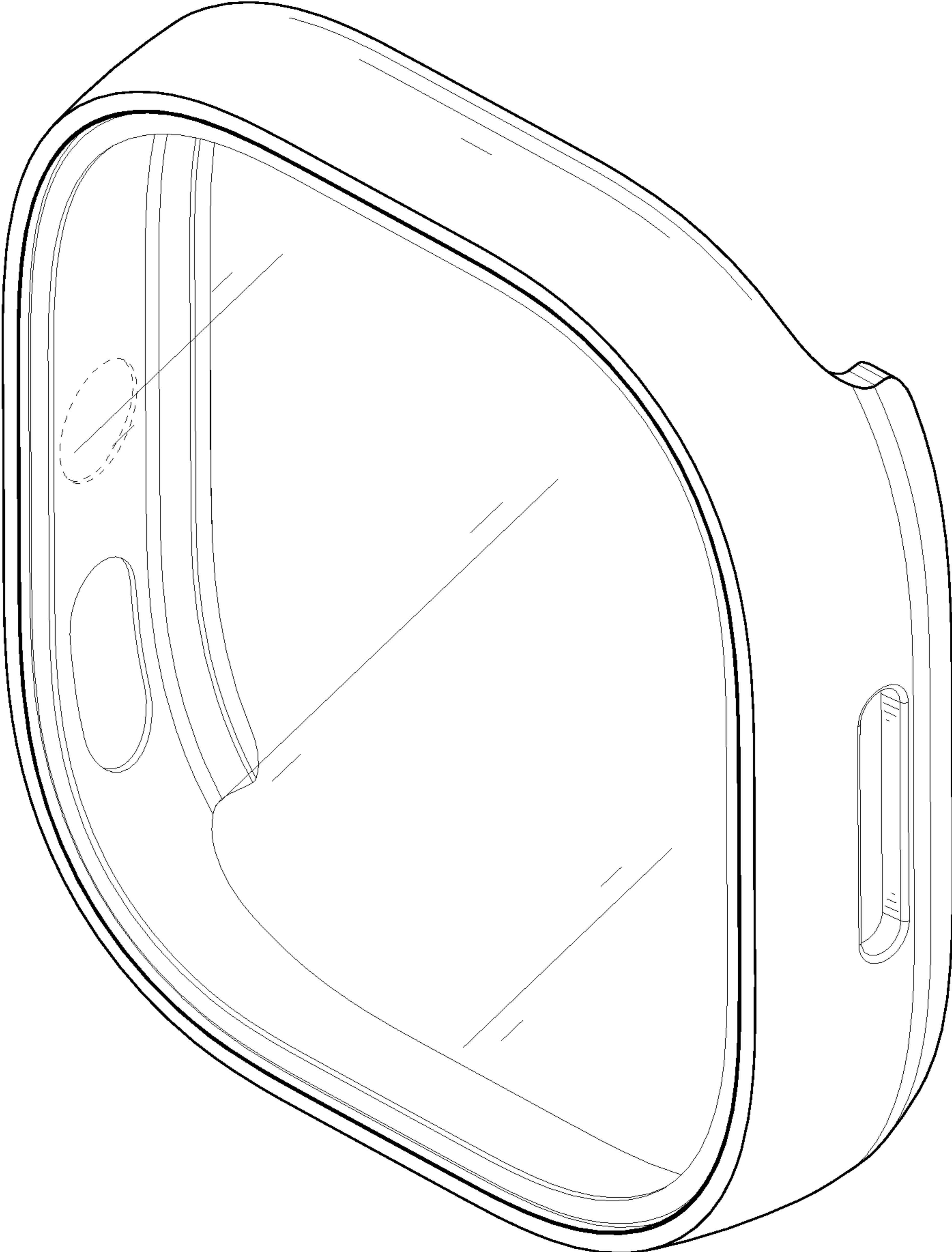


FIG. 1

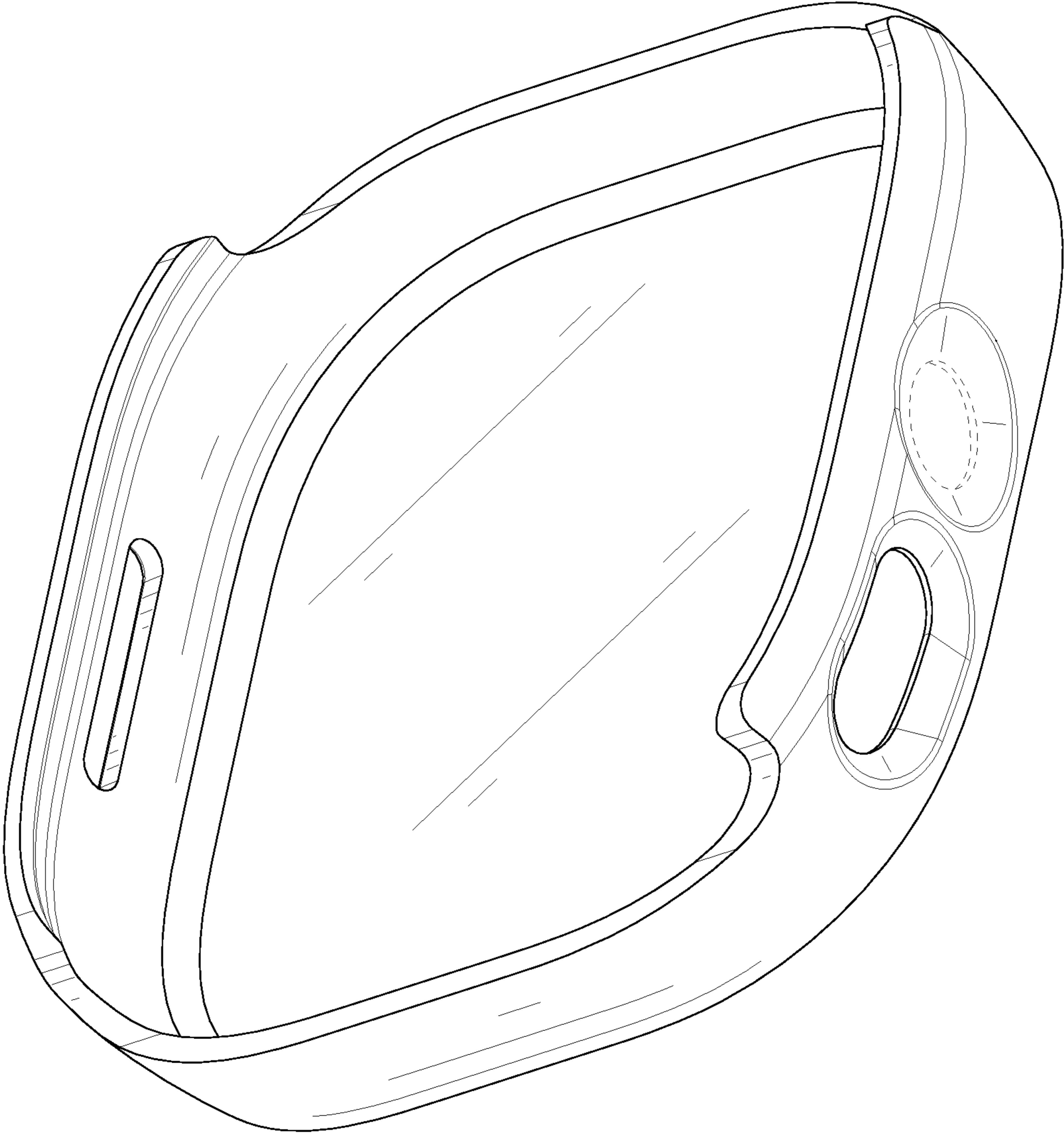


FIG. 2

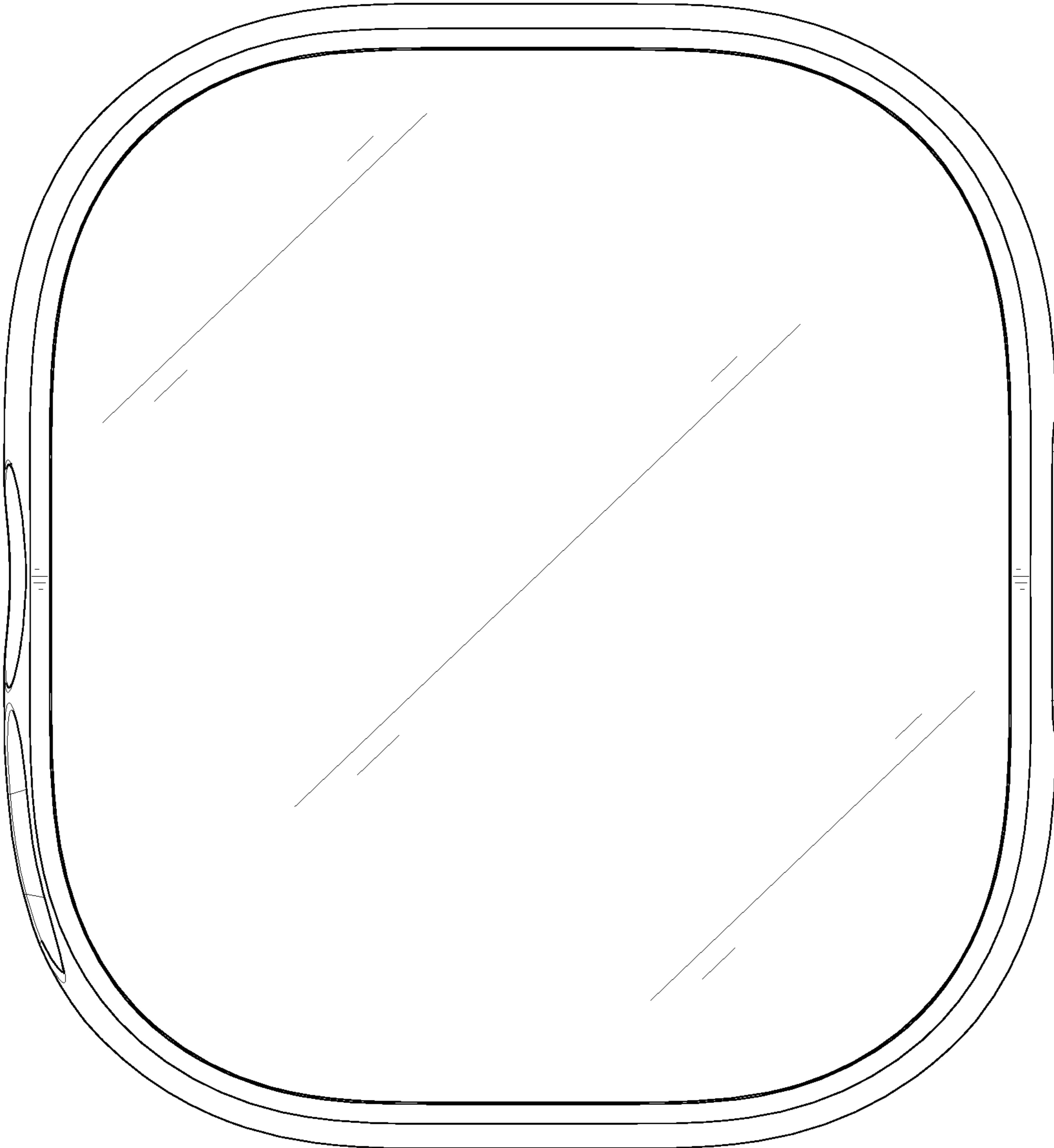


FIG. 3

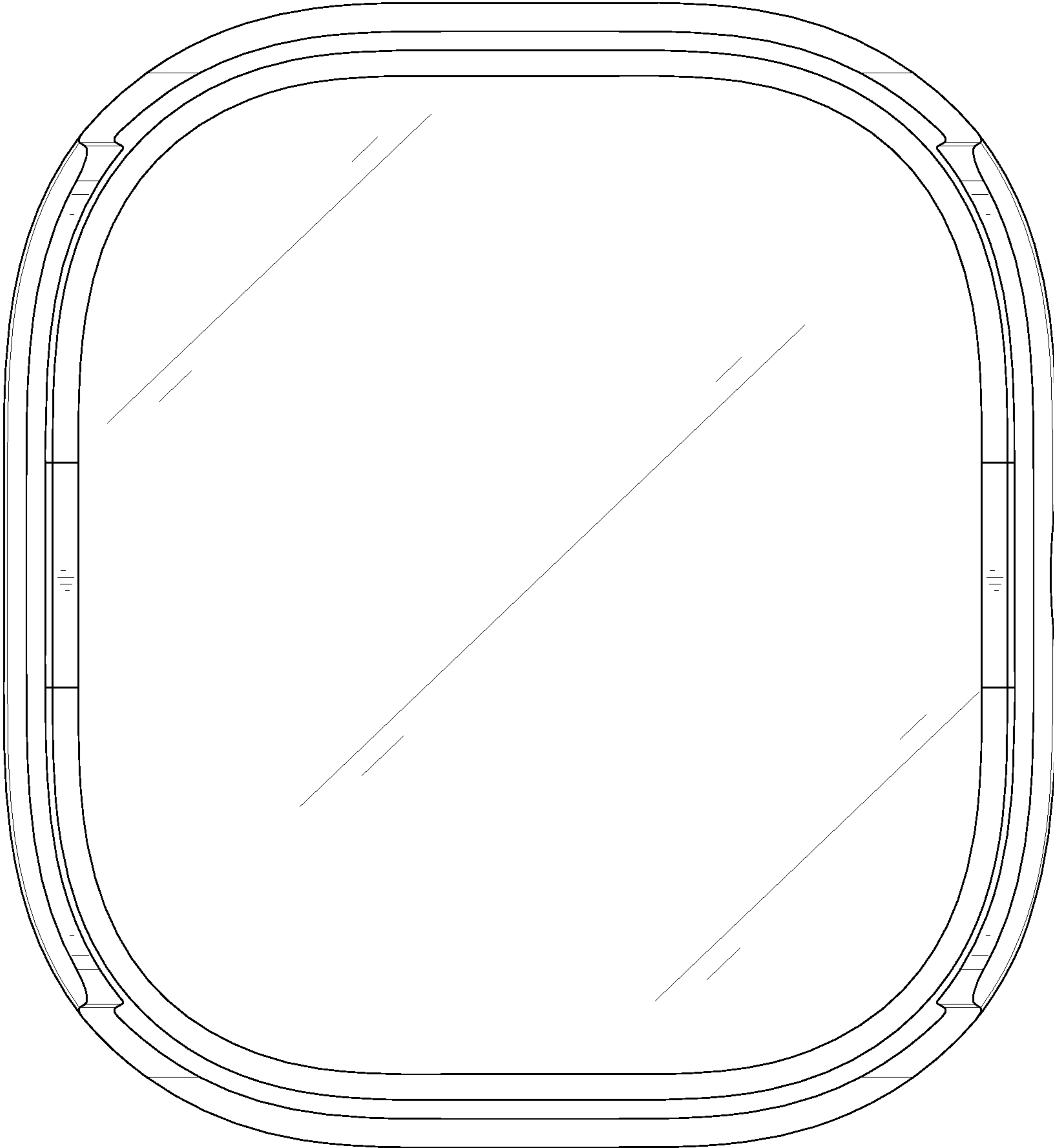


FIG. 4

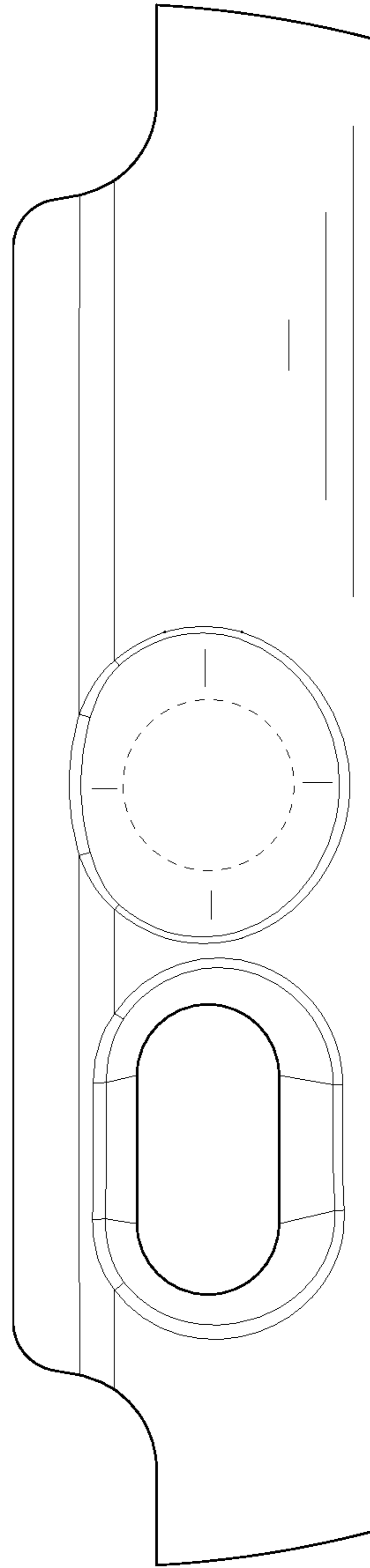


FIG. 5

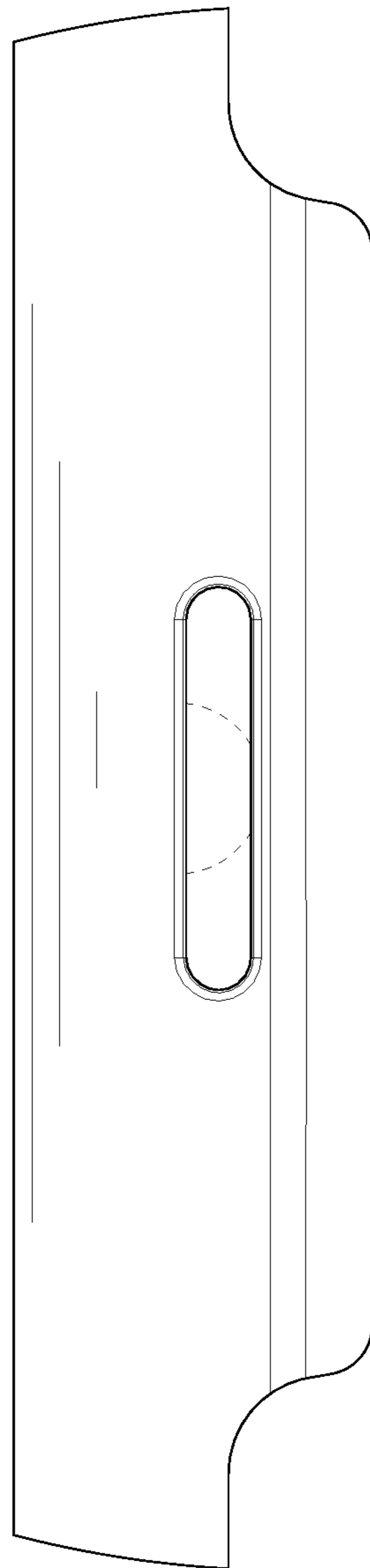


FIG. 6

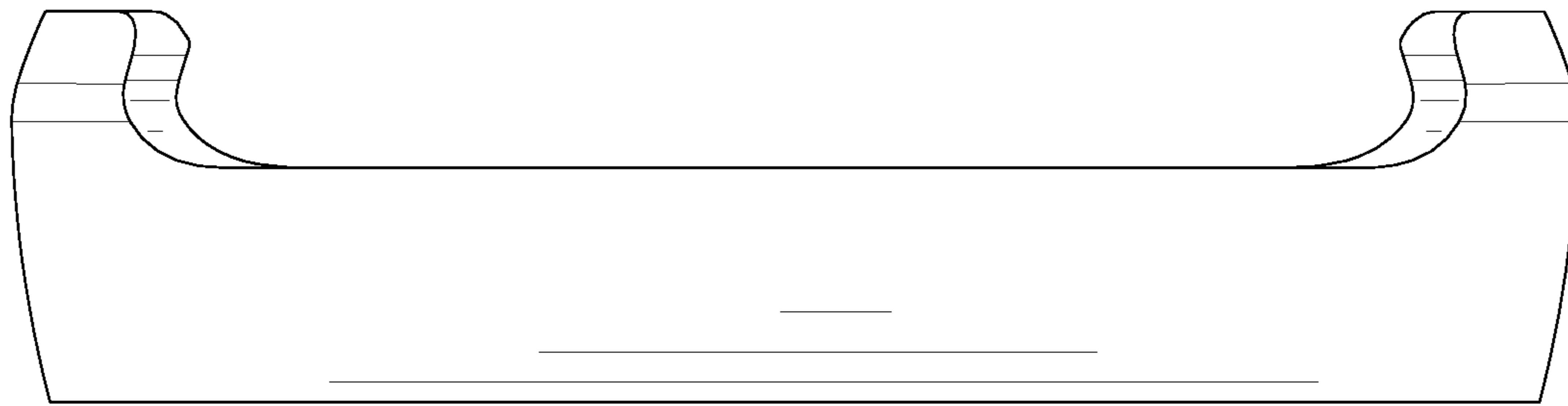


FIG. 7

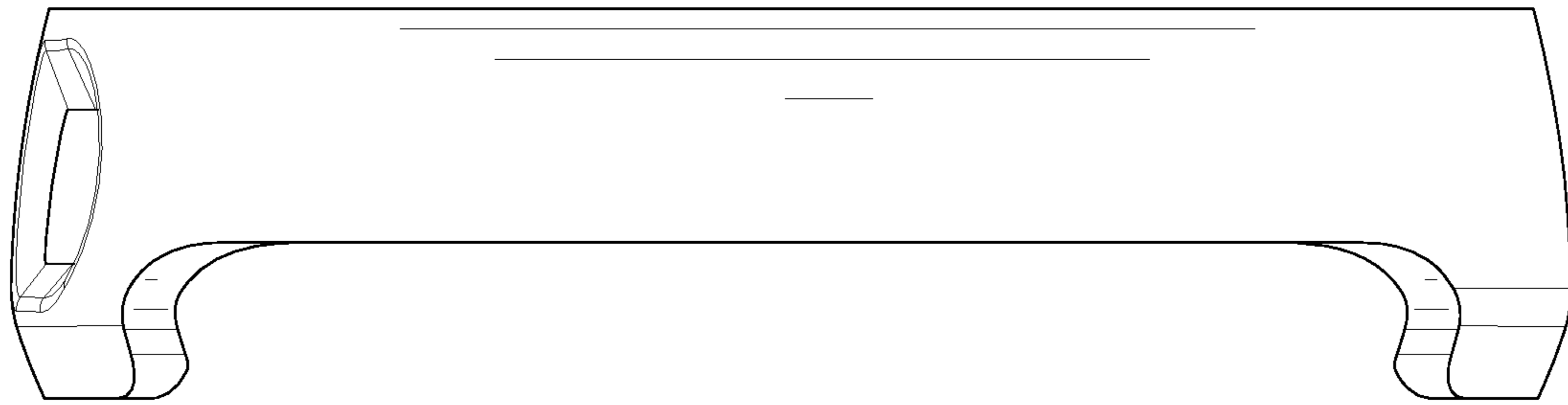


FIG. 8