



US00D988139S

(12) **United States Design Patent** (10) **Patent No.:** **US D988,139 S**
Watanabe et al. (45) **Date of Patent:** **** Jun. 6, 2023**

(54) **VACUUM BOTTLE**
(71) Applicant: **TIGER CORPORATION**, Osaka (JP)
(72) Inventors: **Masahiro Watanabe**, Osaka (JP);
Kazuya Koike, Osaka (JP)
(73) Assignee: **TIGER CORPORATION**, Osaka (JP)
(**) Term: **15 Years**
(21) Appl. No.: **29/785,693**
(22) Filed: **May 27, 2021**

(30) **Foreign Application Priority Data**
Feb. 26, 2021 (JP) 2021-003968 D
(51) **LOC (14) Cl.** **07-10**
(52) **U.S. Cl.**
USPC **D7/608**; D7/510; D7/511
(58) **Field of Classification Search**
USPC ... D7/387, 396.1, 396.2, 500, 509-511, 523,
D7/584, 586, 587, 601, 602, 605, 606,
D7/608, 619.1, 619.2, 624.2, 624.3, 629,
D7/630; D9/500, 503, 516, 549, 558,
D9/559
CPC A47G 23/04; A47G 19/22; A47G 19/2205;
A47G 19/2288; A47J 41/00; A47J
41/0005; A47J 41/0011; A47J 41/0027;
A47J 41/0072; A47J 41/02; A47J 41/028
See application file for complete search history.

(56) **References Cited**
U.S. PATENT DOCUMENTS
D791,542 S * 7/2017 Miksovsky D7/532
9,771,189 B2 * 9/2017 Miksovsky B65D 55/16
D817,713 S * 5/2018 Lin D7/532
D828,722 S * 9/2018 Davis D7/532
D828,723 S * 9/2018 Gauss D7/510

D836,984 S * 1/2019 Sorensen D7/510
D871,855 S * 1/2020 Fleischhut D9/503
D892,558 S * 8/2020 Wang D7/529
D925,286 S * 7/2021 Lown D7/510
D927,263 S * 8/2021 Zhang D7/511
D977,915 S * 2/2023 Watanabe D7/608
D977,916 S * 2/2023 Watanabe D7/608

OTHER PUBLICATIONS

MXP-G001, Tiger Corporation, [online], [site visited Mar. 16, 2023], Available from internet URL: <https://www.tiger-corporation.com/en/usa/product/vacuum-insulated-products/mxp-g001/> (Year: 2023).*

(Continued)

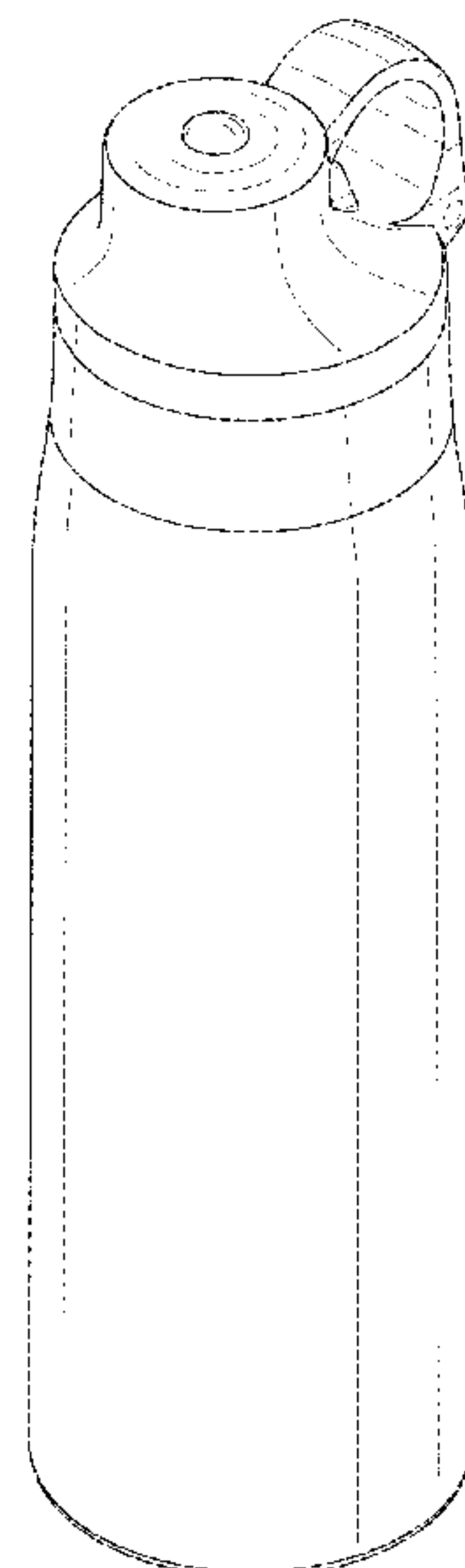
Primary Examiner — Catherine Ho
Assistant Examiner — Natalya M Rapundalo
(74) *Attorney, Agent, or Firm* — JCIPRNET

(57) **CLAIM**
The ornamental design for a vacuum bottle, as shown and described.

DESCRIPTION

FIG. 1 is a perspective view of a vacuum bottle showing our new design;
FIG. 2 is another perspective view thereof;
FIG. 3 is a front view thereof, the rear view being a mirror image thereof;
FIG. 4 is a left side view thereof;
FIG. 5 is a right side view thereof;
FIG. 6 is a top view thereof;
FIG. 7 is a bottom view thereof;
FIG. 8 is a cross-sectional view taken along line 8-8 in FIG. 6; and,
FIG. 9 is a perspective view thereof with the cover opened. The broken lines illustrate portions of the vacuum bottle that form no part of the claimed design.

1 Claim, 8 Drawing Sheets



(56)

References Cited

OTHER PUBLICATIONS

Vacuum insulation custom bottle MXV-E035_050_060, Tiger Corporation, [online], [site visited Mar. 16, 2023], Available from internet URL: <https://www.tiger-corporation.com/en/usa/product/vacuum-insulated-products/mxv-e035-050-060/> (Year: 2023).*

* cited by examiner

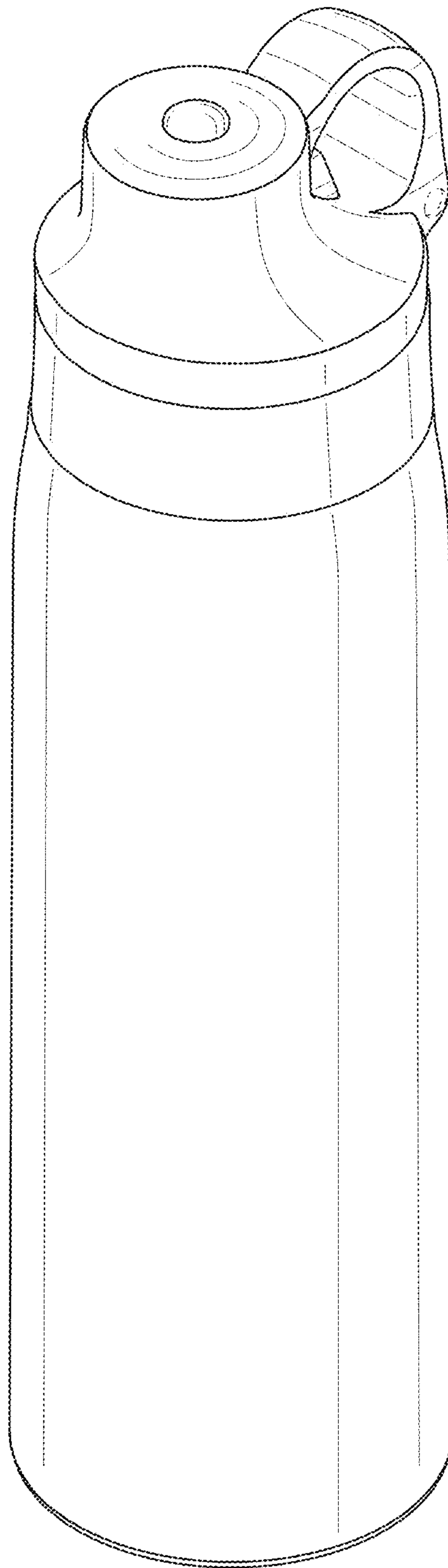


FIG. 1

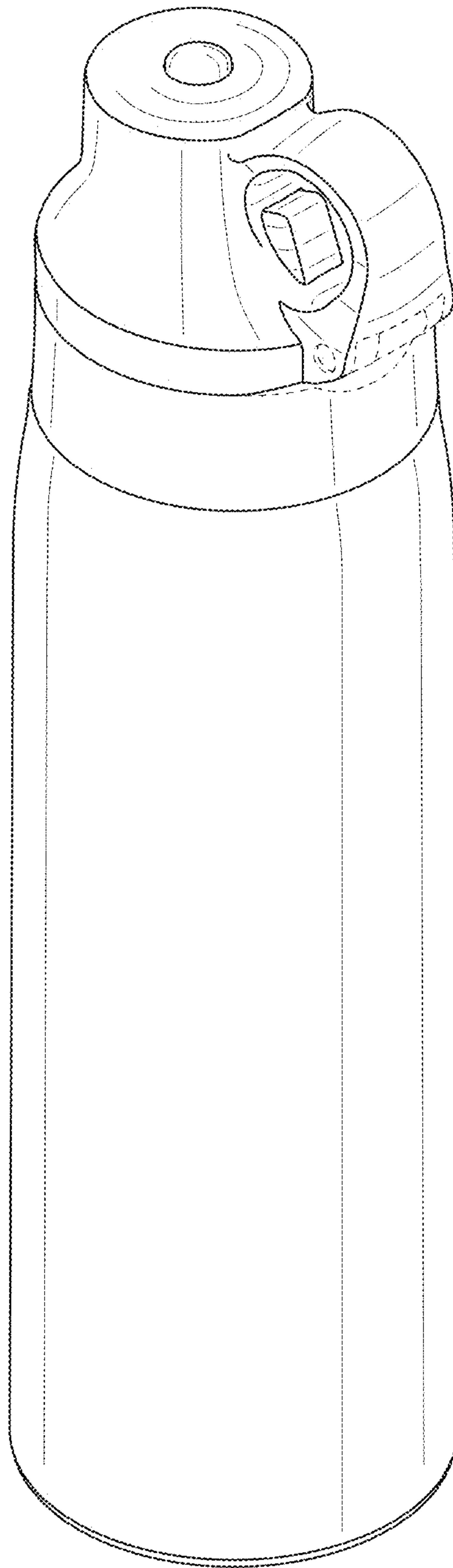


FIG. 2

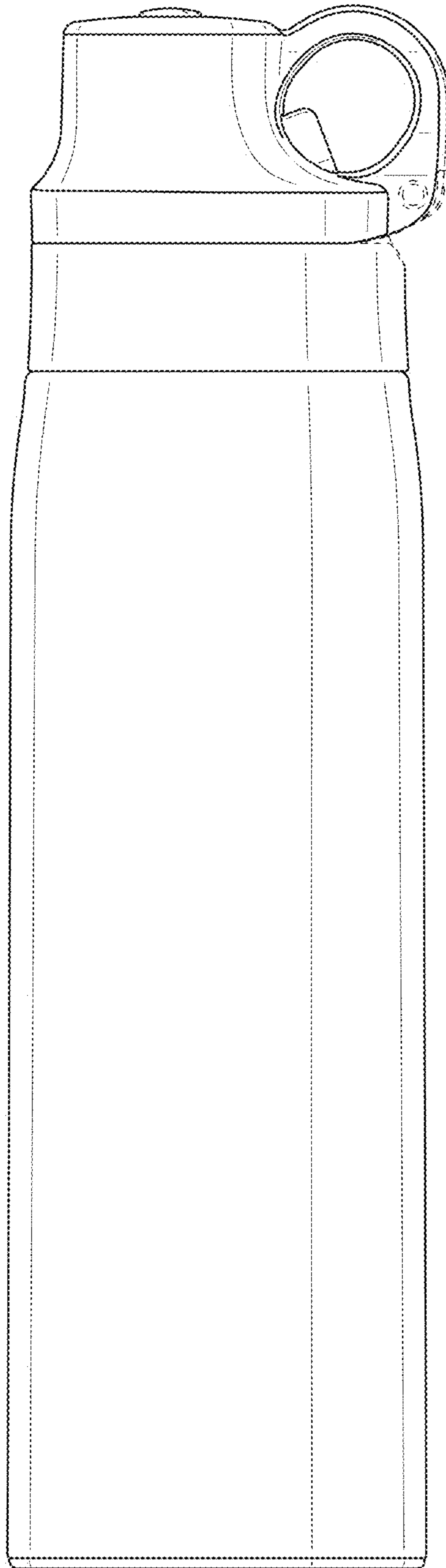


FIG. 3

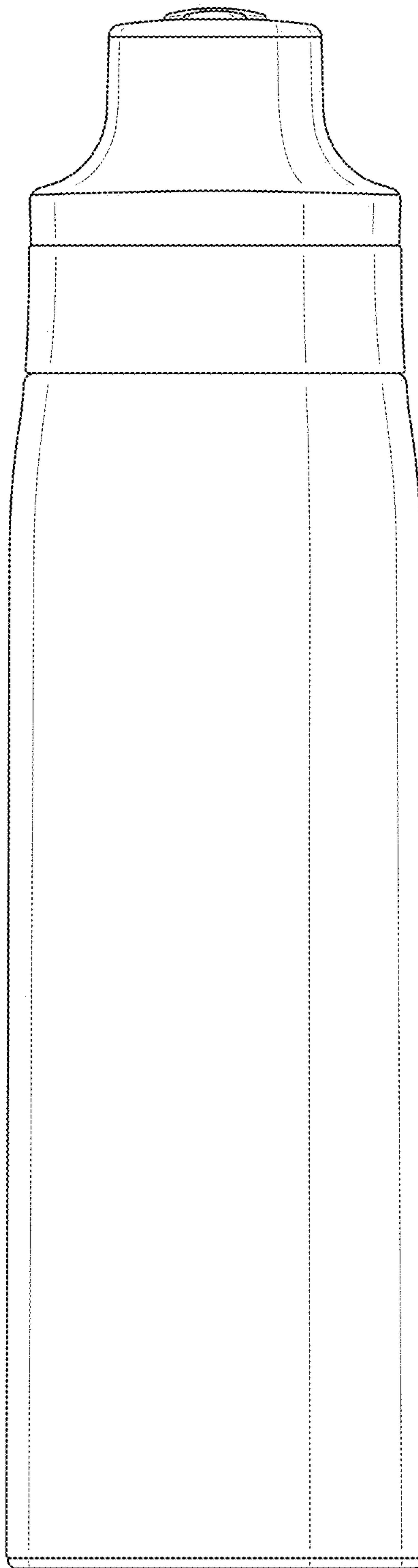


FIG. 4

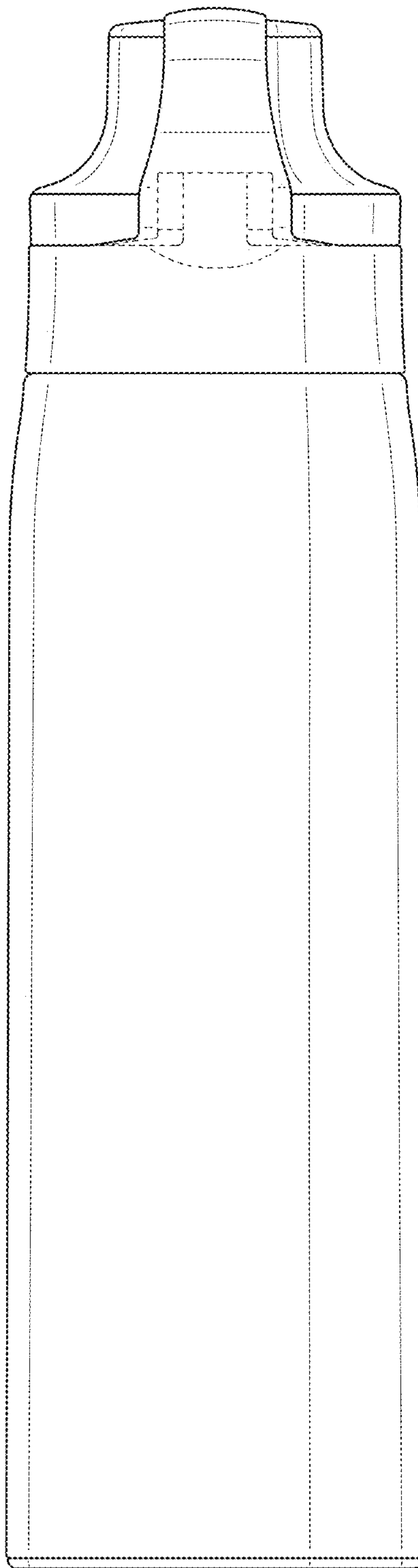


FIG. 5

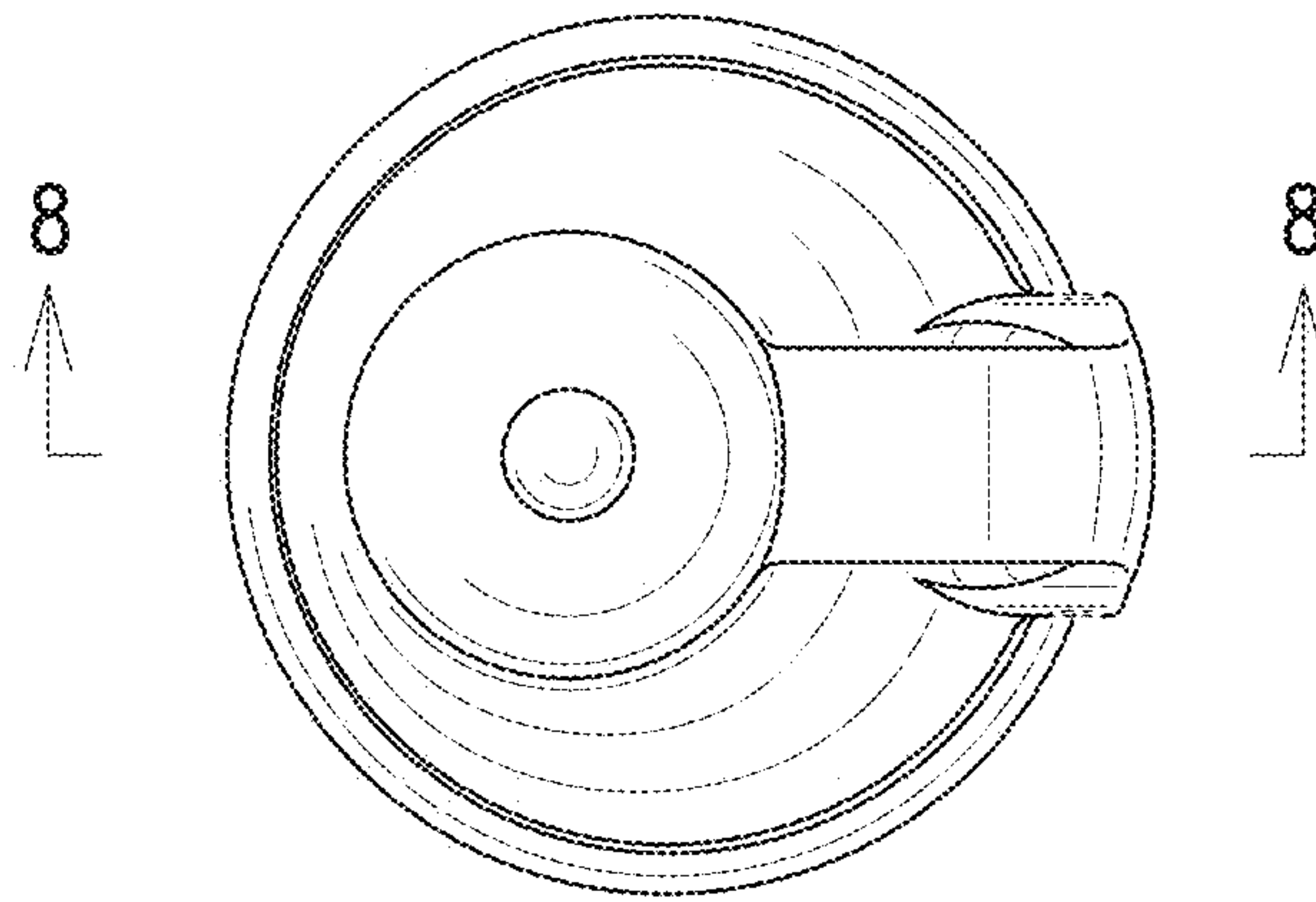


FIG. 6

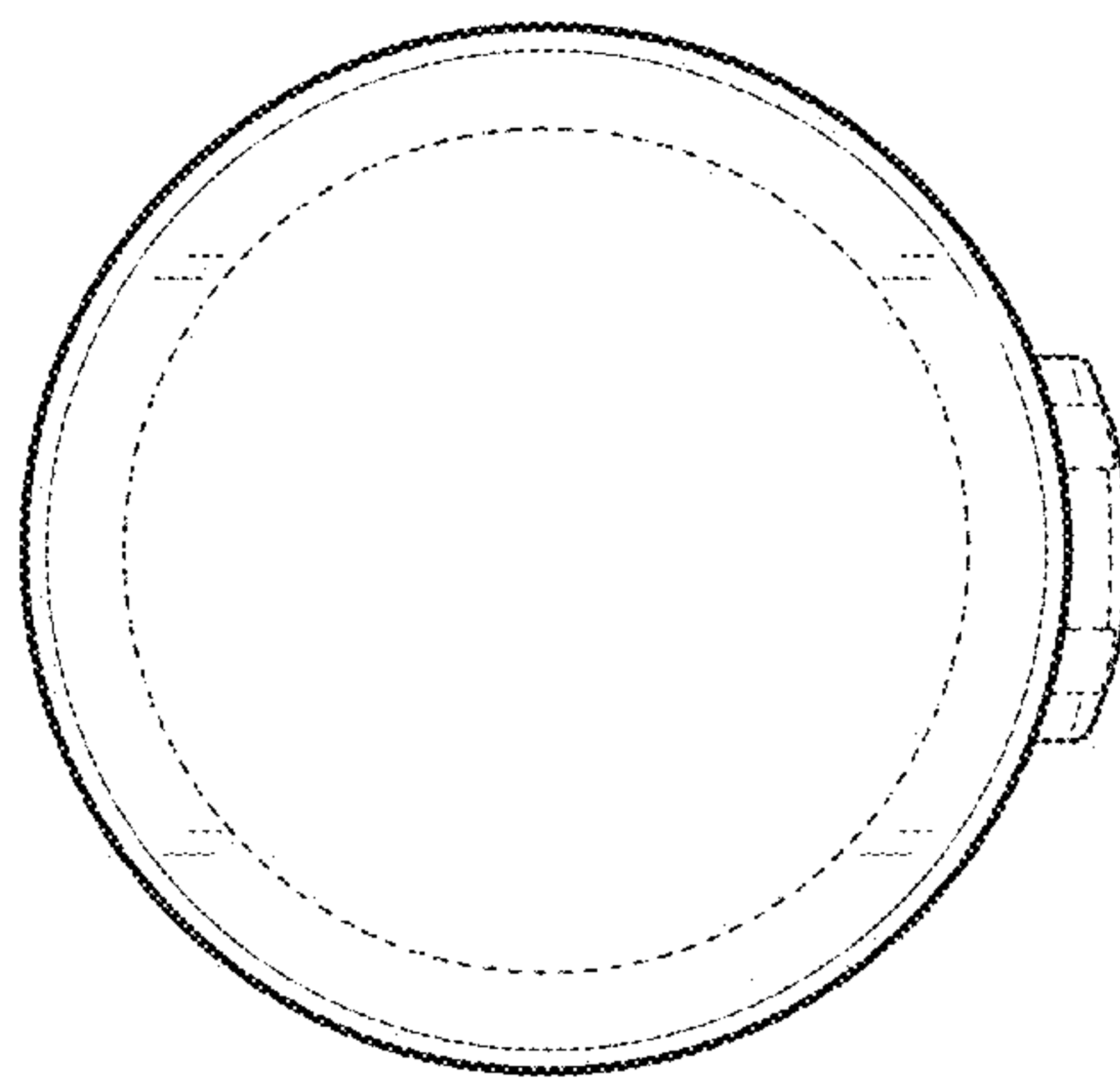


FIG. 7

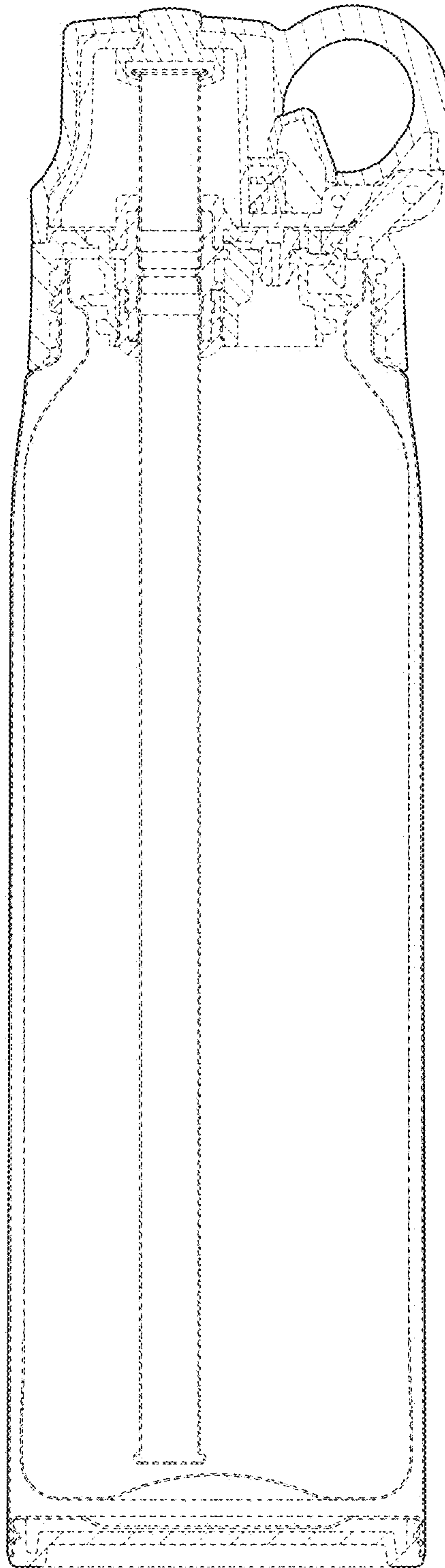


FIG. 8

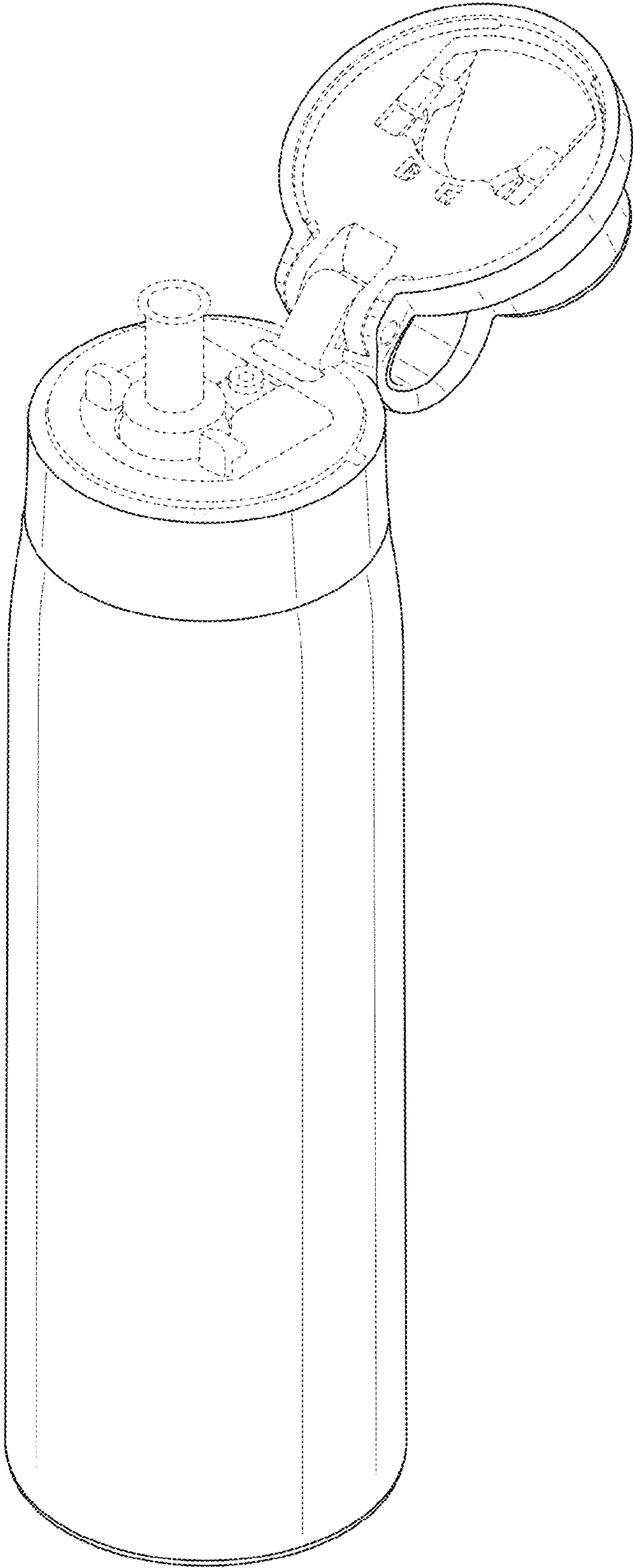


FIG. 9