



US00D988138S

(12) **United States Design Patent** (10) **Patent No.:** **US D988,138 S**  
**Lauren** (45) **Date of Patent:** **\*\* Jun. 6, 2023**

(54) **BOTTLE**  
(71) Applicant: **AL SPIRITS HOLDING, LLC**, New York, NY (US)  
(72) Inventor: **Andrew Lauren**, New York, NY (US)  
(73) Assignee: **AL SPIRITS HOLDING, LLC**, New York, NY (US)  
(\*\*) Term: **15 Years**

D120,847 S \* 5/1940 Ireys ..... D9/569  
D124,920 S \* 1/1941 Heuisler, Jr. .... D9/556  
D166,462 S \* 4/1952 Goldstein ..... D9/547  
D167,637 S \* 9/1952 Knight ..... D9/569  
D207,882 S \* 6/1967 Coulhurst ..... D9/522  
(Continued)

(21) Appl. No.: **29/784,838**  
(22) Filed: **May 21, 2021**  
(51) **LOC (14) Cl.** ..... **09-01**  
(52) **U.S. Cl.**  
USPC ..... **D9/522; D9/563; D9/569; D9/575**  
(58) **Field of Classification Search**  
USPC ..... D9/544-548, 500, 505, 549, 550, 552, D9/554, 556-558, 575, 629, 560, 559, D9/682, 686, 692, 694, 522, 569, 573, D9/561, 553, 555, 568, 563  
CPC ..... B65D 1/0223; B65D 23/14; B67D 1/0019  
See application file for complete search history.

**FOREIGN PATENT DOCUMENTS**

CN 305799200 \* 5/2020  
WO D036583-001 \* 8/1996  
WO D068705-001 \* 4/2007

**OTHER PUBLICATIONS**

Visol, Dec. 2, 2009, Amazon.com Visol The Regal Stainless Steel Hip Flask, 6-Ounce, URL: <https://www.amazon.com/Visol-Regal-Stainless-Steel-6-Ounce/dp/B00D5DAA2C> (Year: 2009).  
(Continued)

*Primary Examiner* — Brett Miller  
*Assistant Examiner* — Rani J Abdallah  
(74) *Attorney, Agent, or Firm* — Sheppard, Mullin, Richter & Hampton LLP

(57) **CLAIM**

I claim the ornamental design for the bottle, as shown and described.

(56) **References Cited**

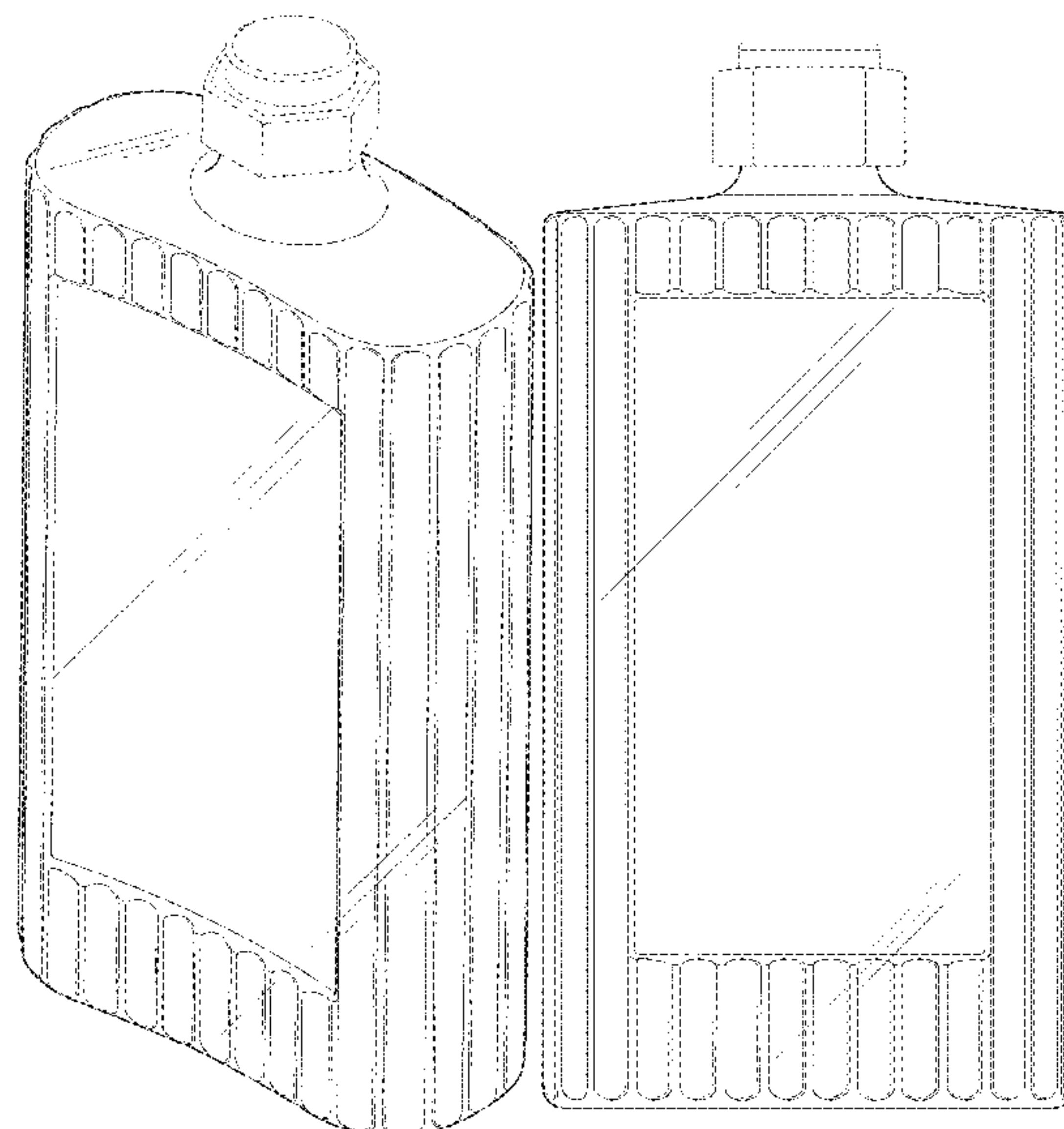
**U.S. PATENT DOCUMENTS**

D32,425 S \* 4/1900 Berheim ..... D9/522  
D53,666 S \* 7/1919 Schwidetzky ..... D9/522  
D92,492 S \* 6/1934 Ratner ..... D9/522  
D93,690 S \* 10/1934 Steelman ..... D9/569  
D93,949 S \* 11/1934 Steelman ..... D9/556  
D94,101 S \* 12/1934 Spence ..... D9/556  
D94,745 S \* 3/1935 Furest ..... D9/569  
D94,921 S \* 3/1935 Ratner ..... D9/569  
D95,260 S \* 4/1935 Key ..... D9/569  
D98,969 S \* 3/1936 Steuernagle ..... D9/568  
D100,366 S \* 7/1936 Fuerst ..... D9/556  
D103,156 S \* 2/1937 Kohl ..... D9/569  
D108,593 S \* 2/1938 Fuerst ..... D9/550  
D112,385 S \* 11/1938 Soubier ..... D9/522

**DESCRIPTION**

FIG. 1 is a perspective view of an ornamental design for a bottle;  
FIG. 2 is a first side elevational view thereof;  
FIG. 3 is a second side elevational view thereof;  
FIG. 4 is a third side elevational view thereof; and  
FIG. 5 is a fourth side elevational view thereof.  
FIG. 6 is a top plan view thereof; and,  
FIG. 7 is a bottom plan view thereof.  
The broken lines in the drawings depict portions of the bottle that form no part of the claimed design.

**1 Claim, 7 Drawing Sheets**



(56)

**References Cited**

U.S. PATENT DOCUMENTS

D210,501	S	*	3/1968	Brammer	.....	D9/563
D215,703	S	*	10/1969	Blonay	.....	D9/569
D340,864	S	*	11/1993	De Rothschild	.....	D9/522
D367,011	S	*	2/1996	Lilly	.....	D9/556
D382,808	S	*	8/1997	Fenton	.....	D9/575
D515,930	S	*	2/2006	Steih	.....	D9/563
D521,230	S	*	5/2006	Linz	.....	D9/522
D645,358	S	*	9/2011	de Monclin	.....	D9/522
D736,636	S	*	8/2015	Zaima	.....	D9/522
D758,868	S	*	6/2016	Bretschneider	.....	D9/575
D769,722	S	*	10/2016	Oymak	.....	D9/558
D827,441	S	*	9/2018	Jack	.....	D9/563
D838,179	S	*	1/2019	Jack	.....	D9/522
D845,777	S	*	4/2019	Faillant Dumas	.....	D9/522
D918,722	S	*	5/2021	Scott	.....	D3/202
D924,689	S	*	7/2021	Thompson	.....	D9/546
D935,321	S	*	11/2021	Sowell	.....	D9/522

OTHER PUBLICATIONS

Images of flask, front, bottom, and top views (2016), 3 pages.

\* cited by examiner

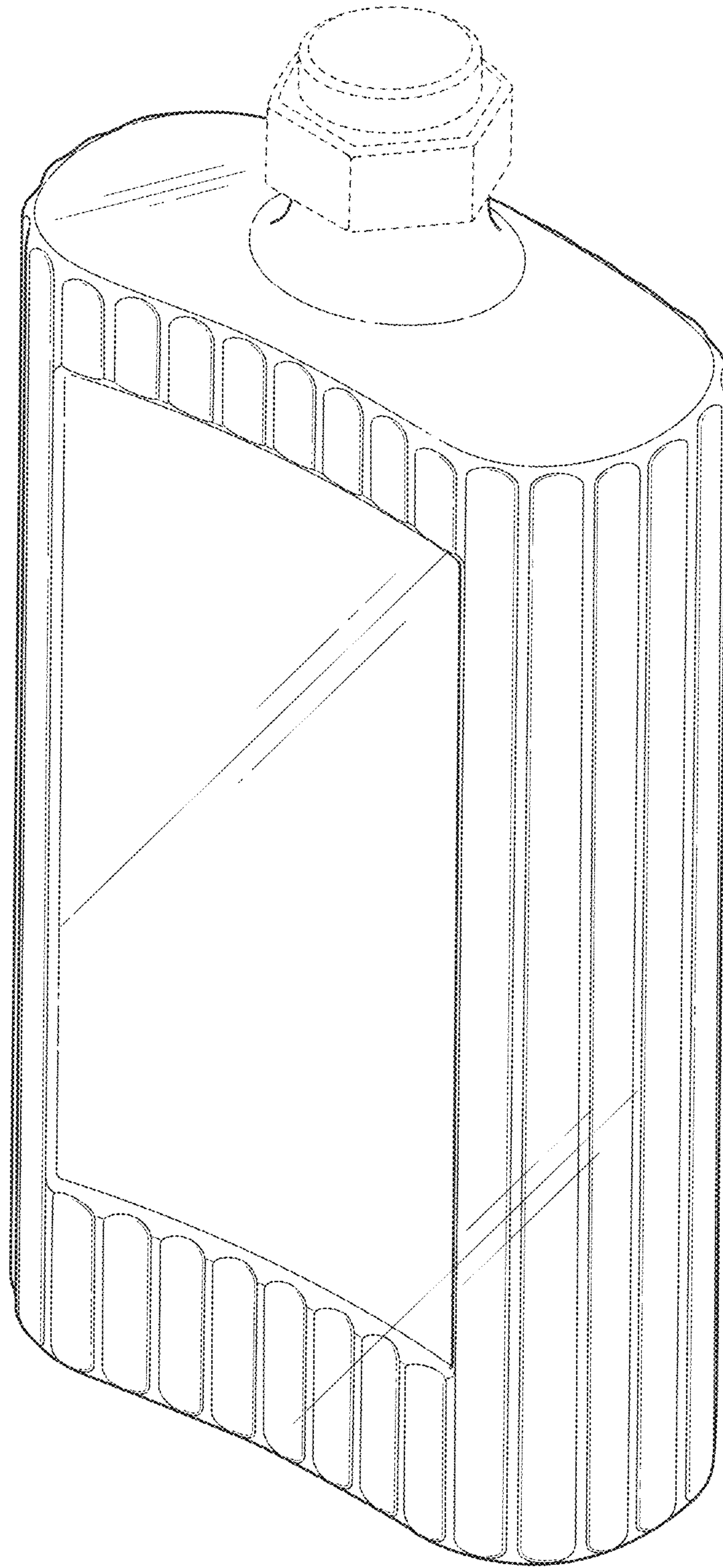


FIG. 1



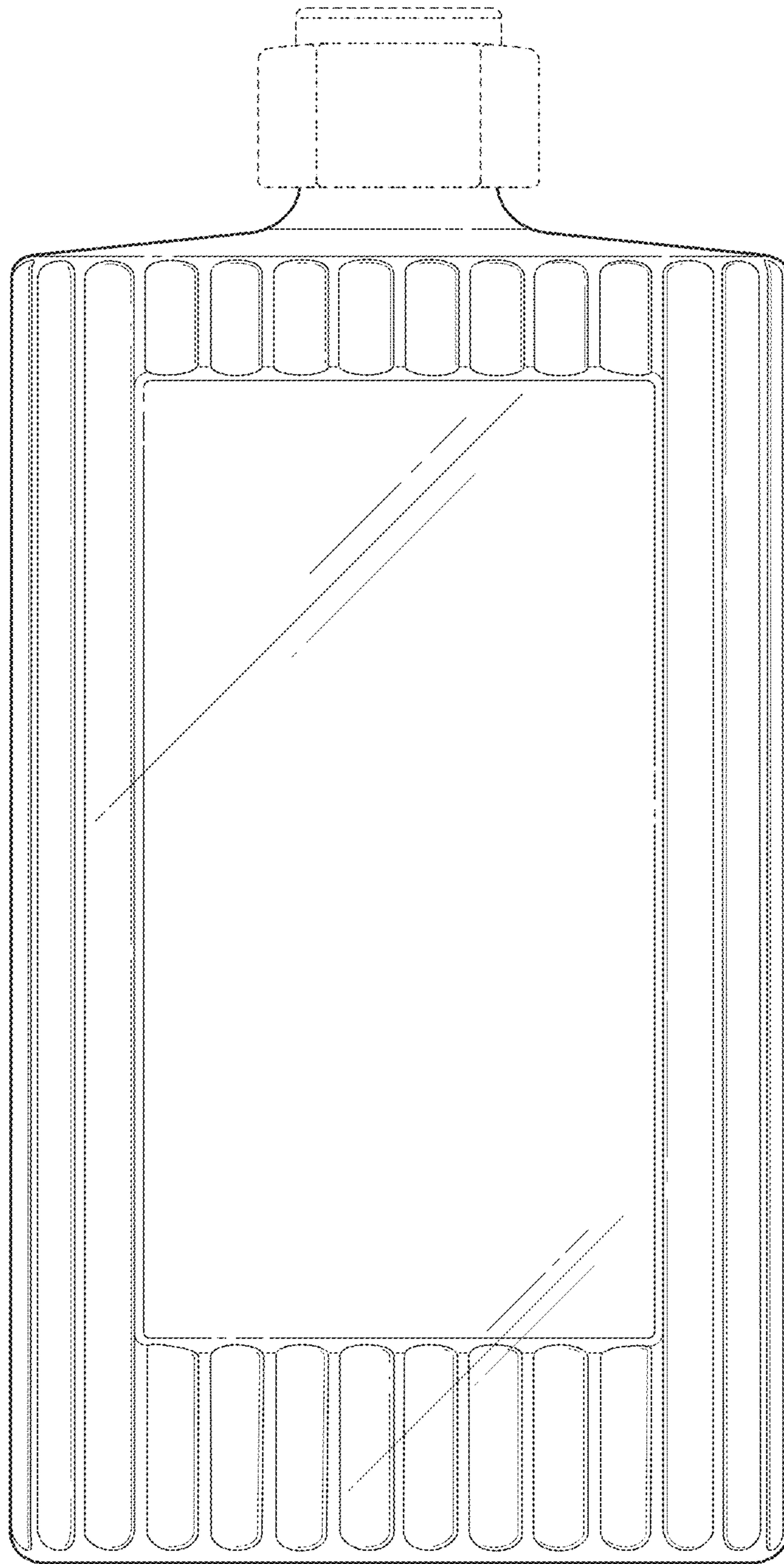


FIG. 2

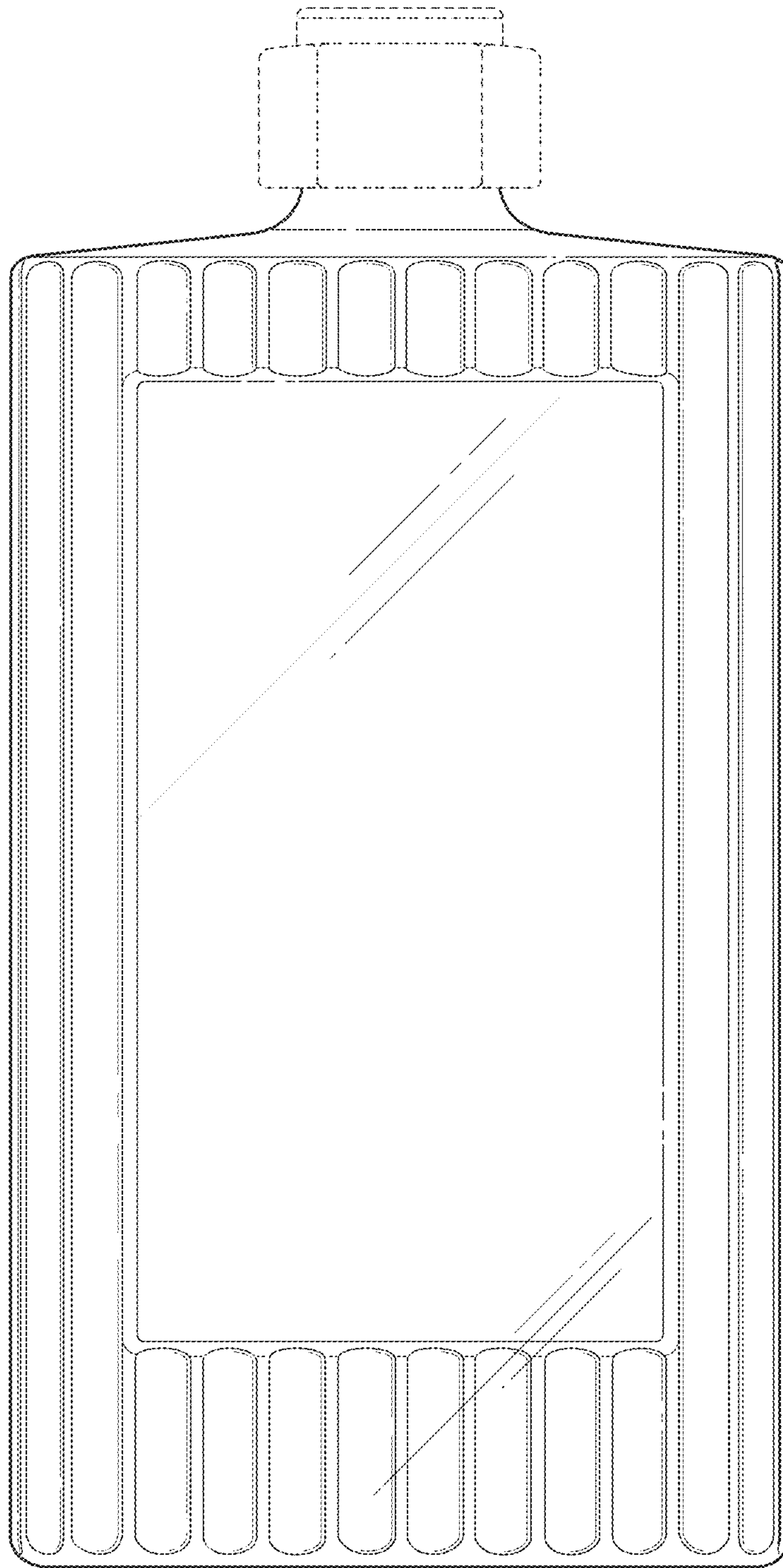


FIG. 3

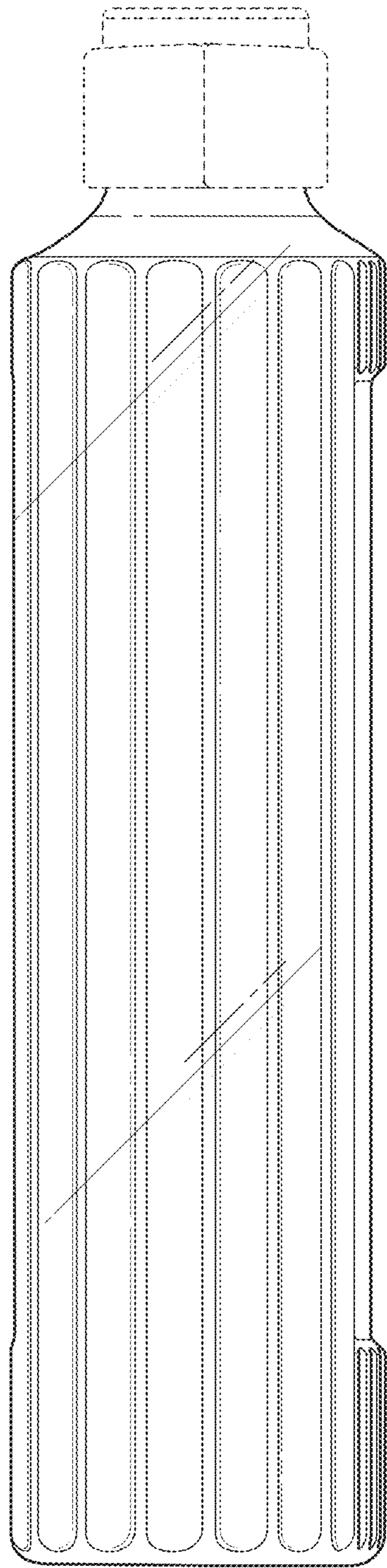


FIG. 4

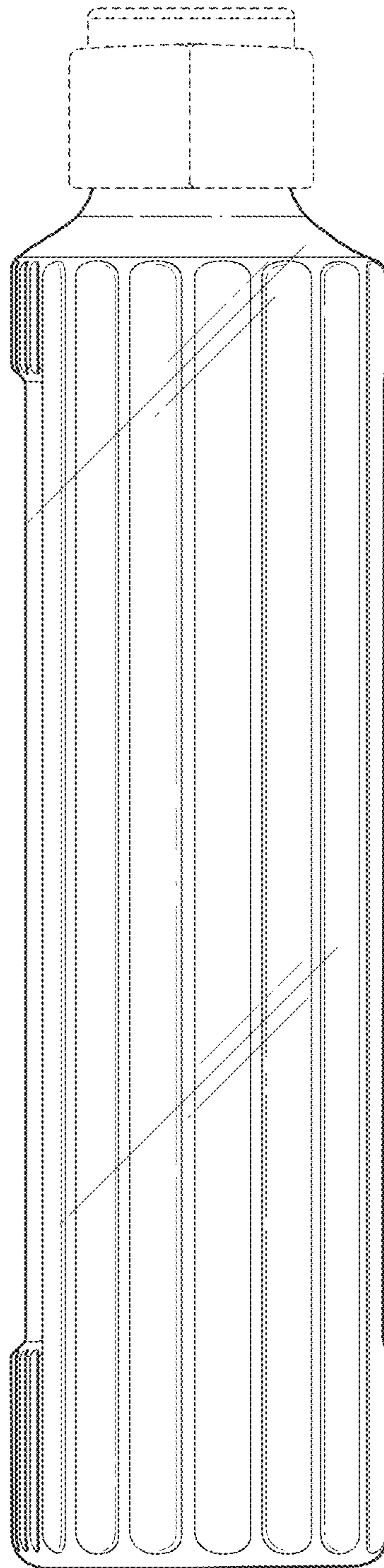


FIG. 5

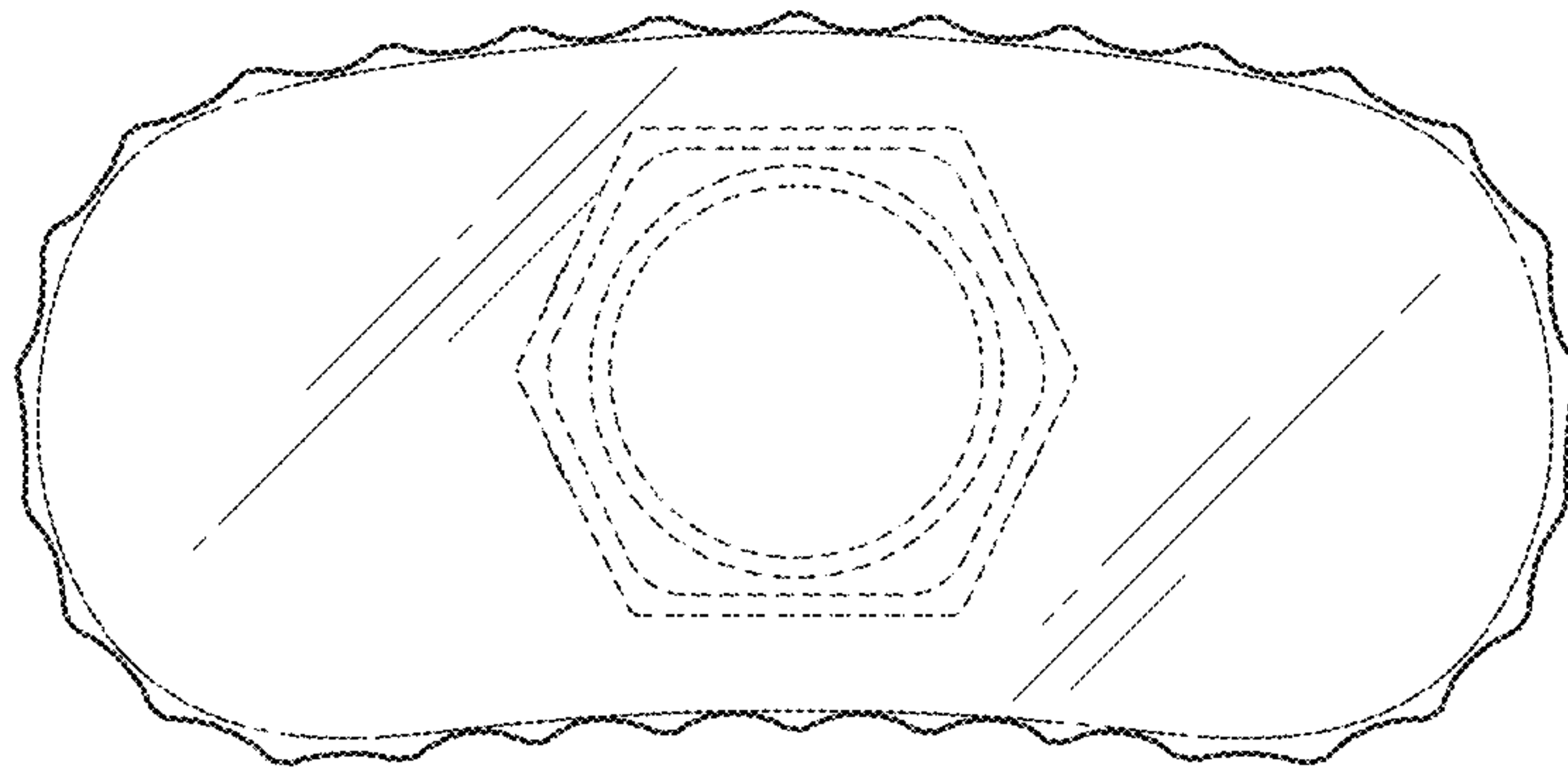


FIG. 6



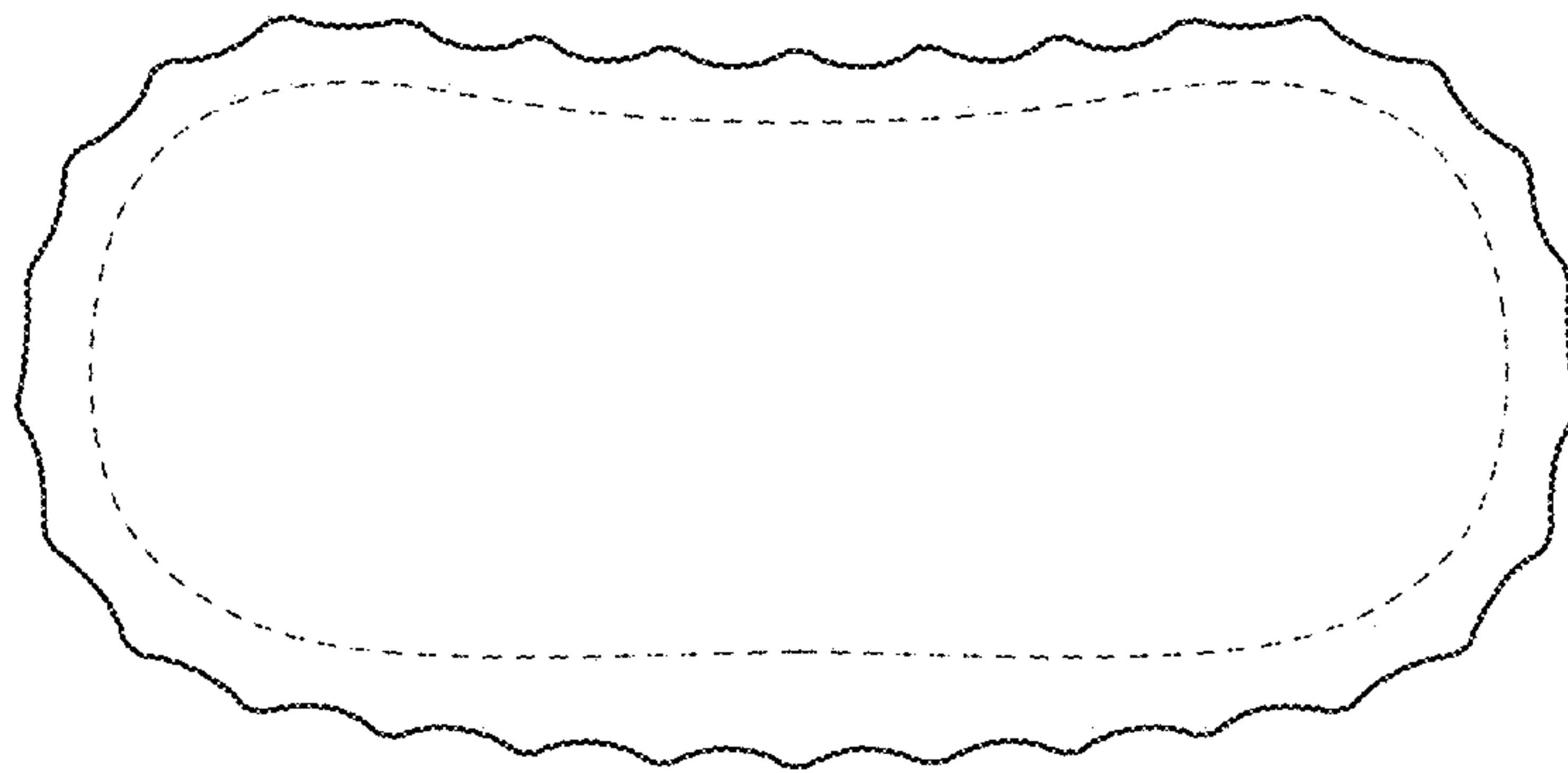


FIG. 7