



US00D988134S

(12) **United States Design Patent** (10) **Patent No.:** **US D988,134 S**
Gong (45) **Date of Patent:** **** Jun. 6, 2023**

(54) **SEALING COVER**
(71) Applicant: **Yadong Gong**, Zhongxiang (CN)
(72) Inventor: **Yadong Gong**, Zhongxiang (CN)

D813,671 S * 3/2018 Arthur, IV D9/453
D840,812 S * 2/2019 Holmes D9/443
D892,616 S * 8/2020 Neputy D9/452
D903,816 S 12/2020 Vinther
D918,712 S * 5/2021 Bontrager D9/428
D963,811 S * 9/2022 Angelozzi D9/438

(**) Term: **15 Years**

FOREIGN PATENT DOCUMENTS

(21) Appl. No.: **29/859,017**

CN 307232746 * 4/2022
CN 307630551 * 11/2022

(22) Filed: **Nov. 7, 2022**

* cited by examiner

(51) **LOC (14) Cl.** **09-07**

Primary Examiner — Omeed Agilee

(52) **U.S. Cl.**
USPC **D9/454; D9/452**

(74) *Attorney, Agent, or Firm* — Daniel M. Cohn;
Howard M. Cohn

(58) **Field of Classification Search**
USPC D9/416, 417, 420, 425–429, 430, 432,
D9/445, 452–454, 761; D7/400, 601,
D7/608; D24/121–123, 216–217, 224
CPC . B65D 1/26; B65D 1/40; B65D 5/243; B65D
81/3453; B65D 2581/34; B65D
2581/3404; B65D 2581/3456

(57) **CLAIM**

The ornamental design for a sealing cover, as shown and described.

See application file for complete search history.

DESCRIPTION

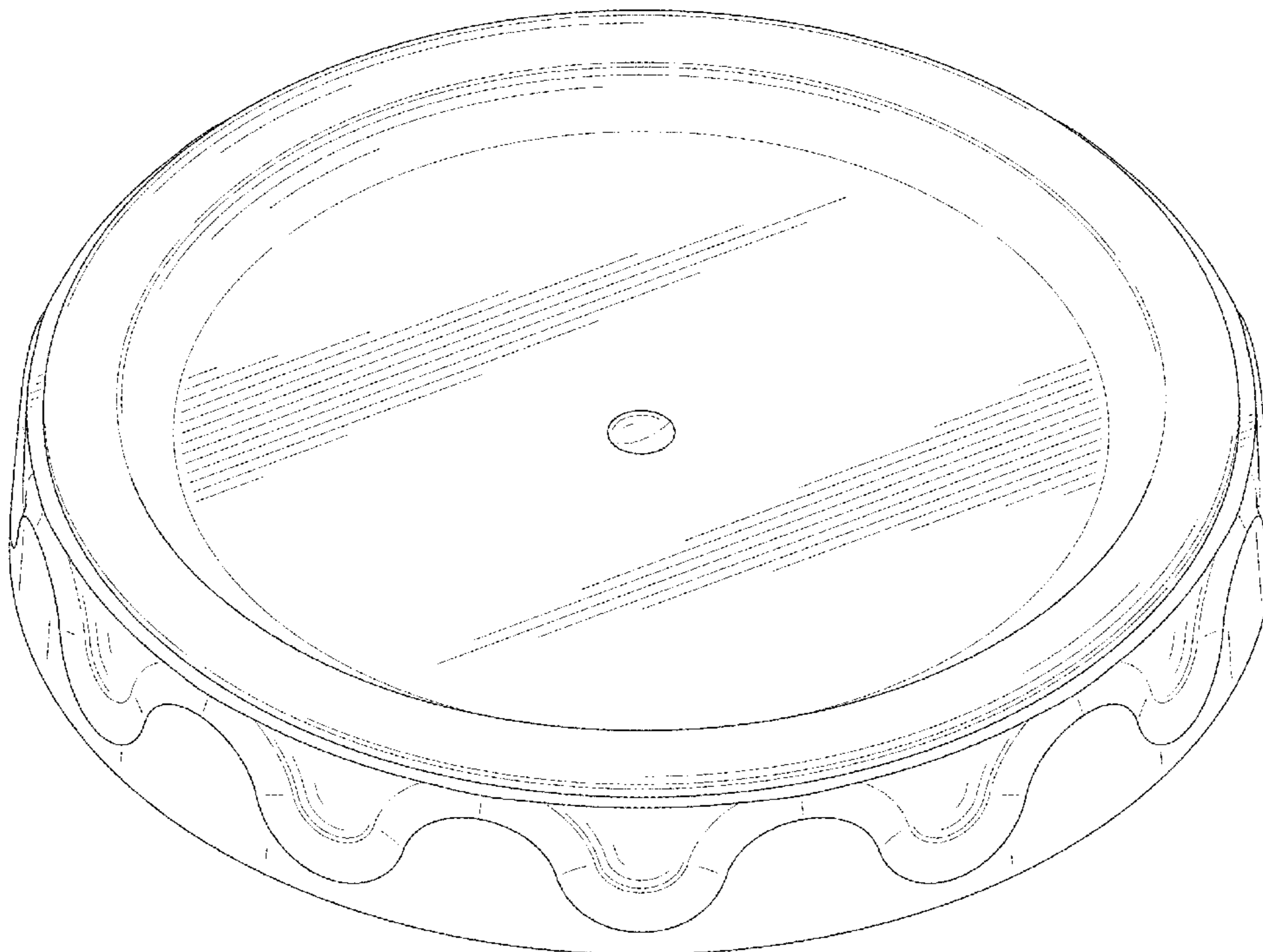
FIG. 1 is a perspective view of a sealing cover showing my new design;
FIG. 2 is another perspective view thereof;
FIG. 3 is a front elevational view thereof;
FIG. 4 is a rear elevational view thereof;
FIG. 5 is a left side elevational view thereof;
FIG. 6 is a right side elevational view thereof;
FIG. 7 is a top plan view thereof;
FIG. 8 is a bottom plan view thereof;
FIG. 9 is an enlarged view of portion 9 shown in FIG. 2; and,
FIG. 10 is an enlarged view of portion 10 shown in FIG. 8.
The dot-dash broken lines represent boundaries of the enlarged portions and form no part of the claimed design.

(56) **References Cited**

U.S. PATENT DOCUMENTS

D434,660 S * 12/2000 Conti D7/391
D437,228 S * 2/2001 Collins D9/453
D445,681 S * 7/2001 Kimble D9/434
D457,431 S * 5/2002 Brant D9/454
D508,188 S * 8/2005 Zettle D7/629
D675,097 S * 1/2013 Burke, Jr. D9/454
D693,683 S * 11/2013 Ramsey D9/453
D756,221 S * 5/2016 Koop D9/453
D757,536 S * 5/2016 Norton D9/429
D769,119 S 10/2016 Hooker et al.
D791,586 S * 7/2017 Bois D9/559

1 Claim, 10 Drawing Sheets



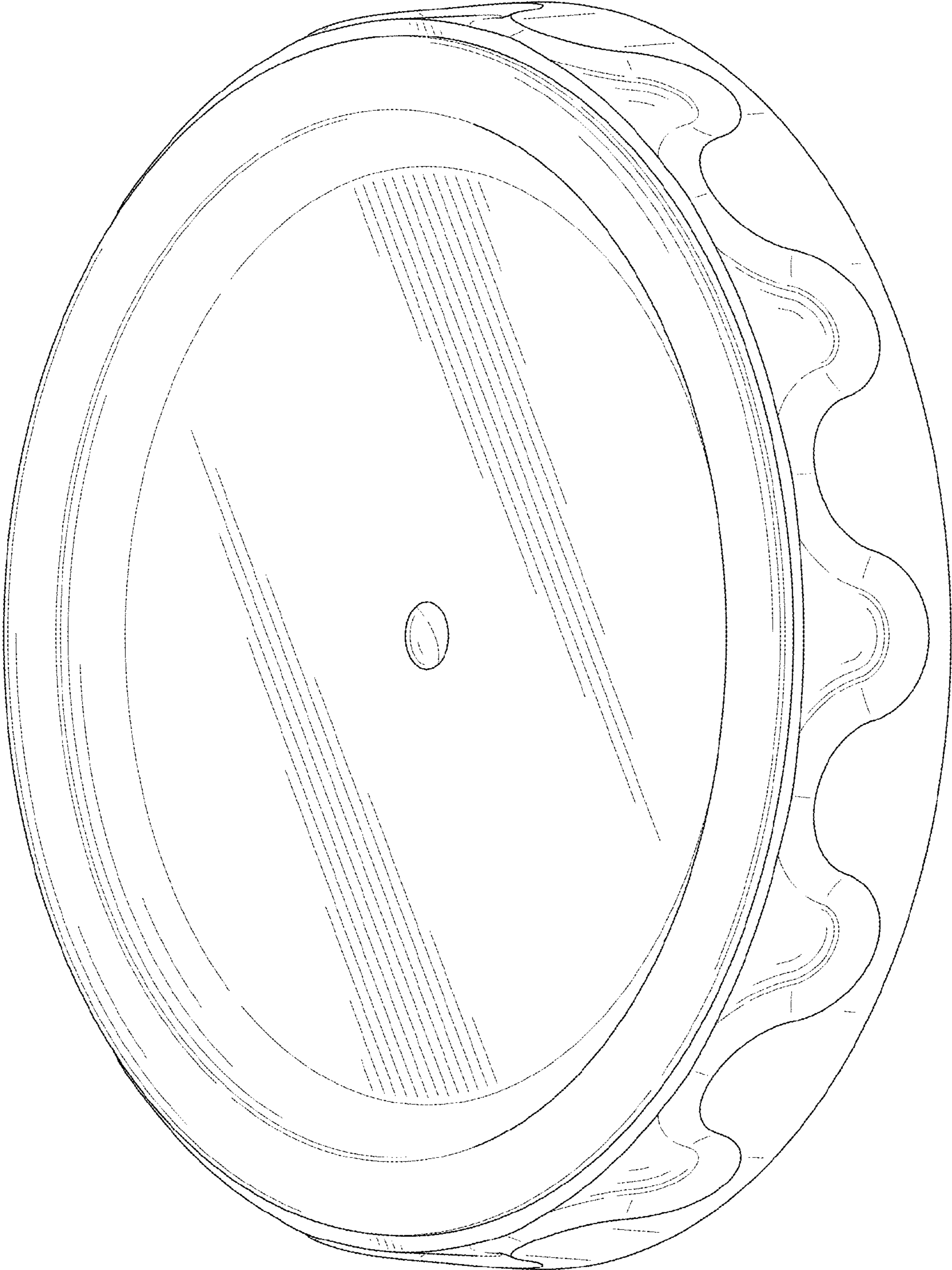


FIG. 1

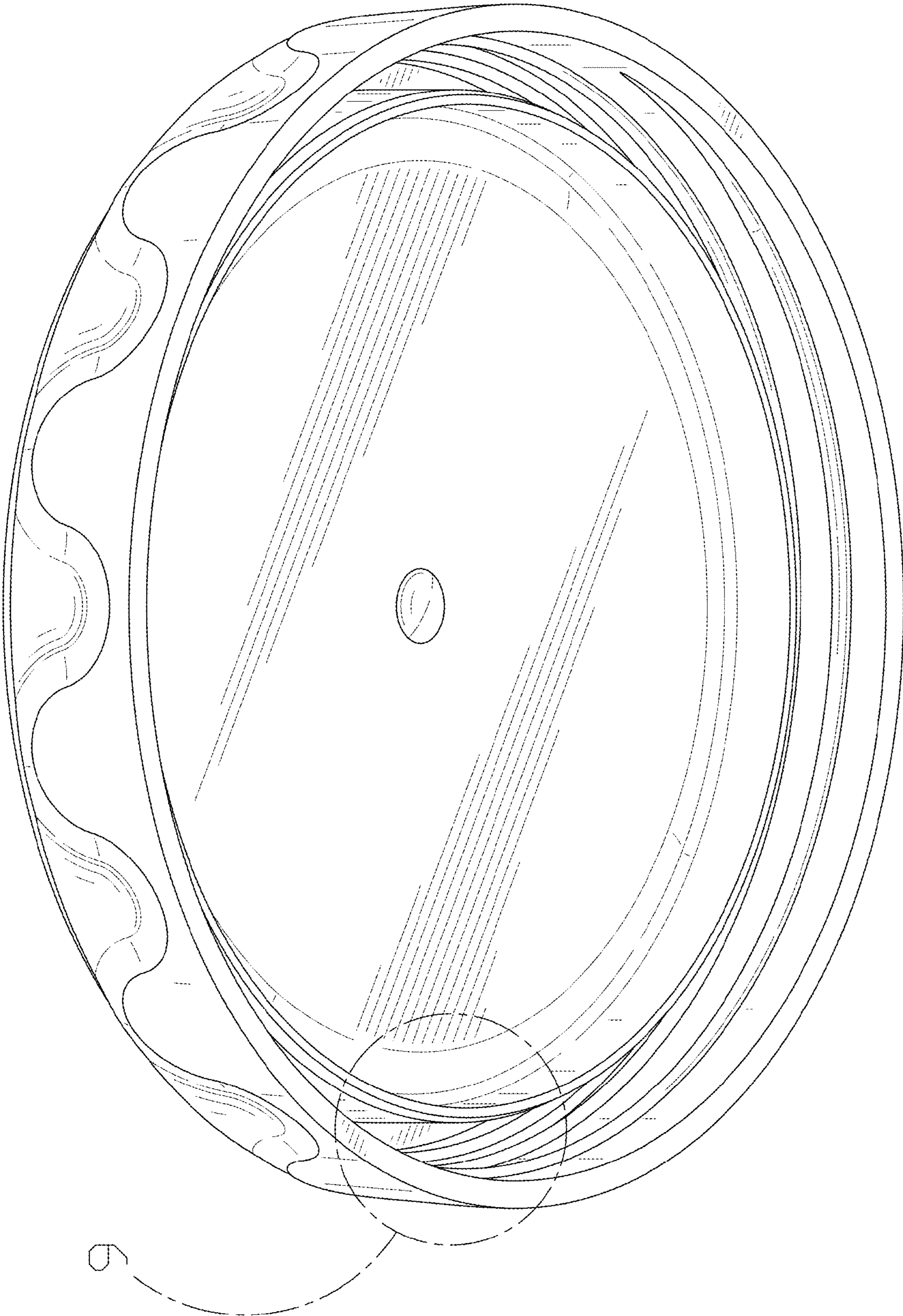


FIG. 2

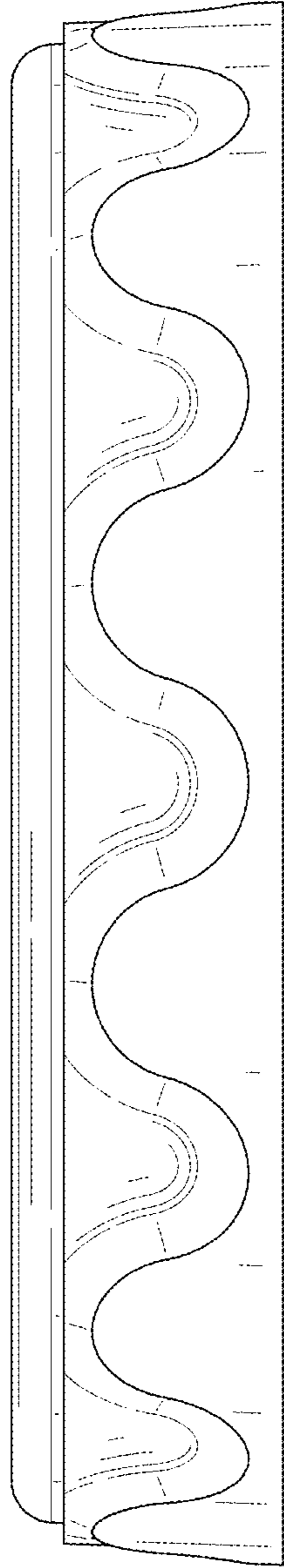


FIG. 3

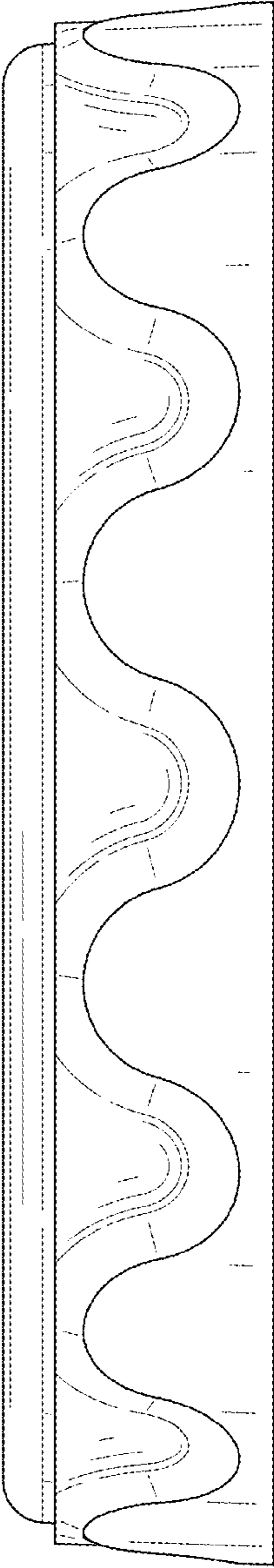


FIG. 4

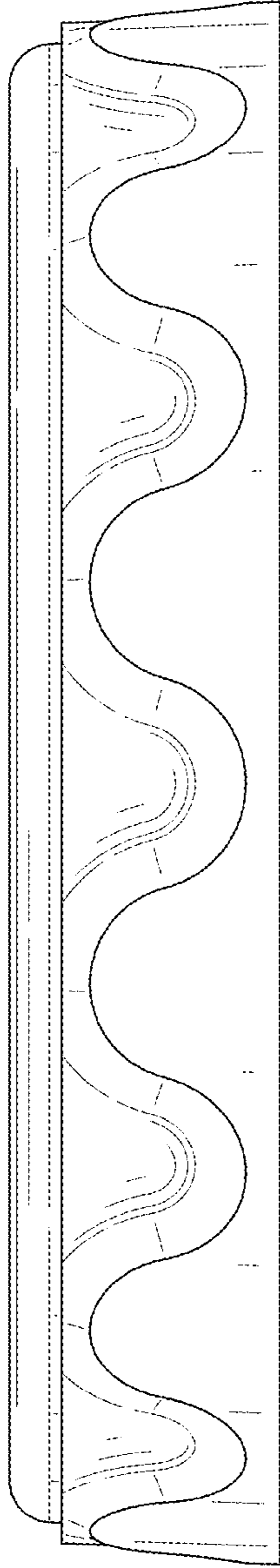


FIG. 5

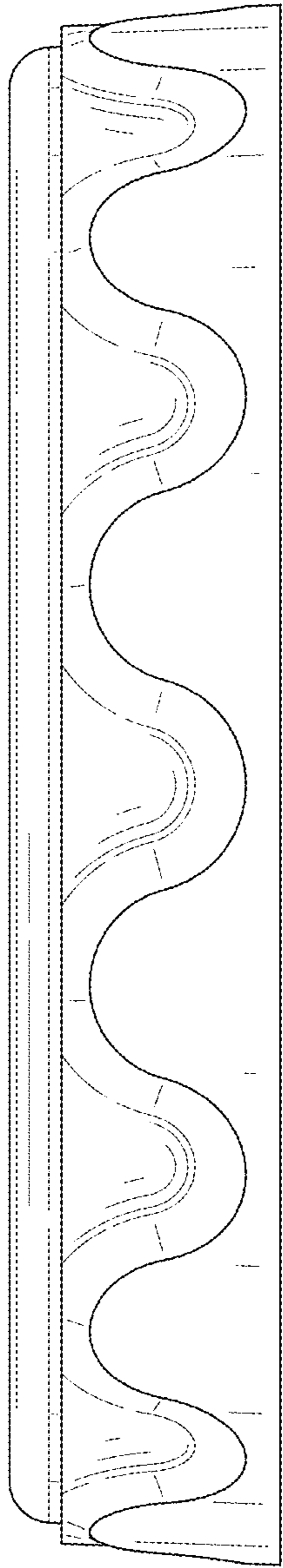


FIG. 6

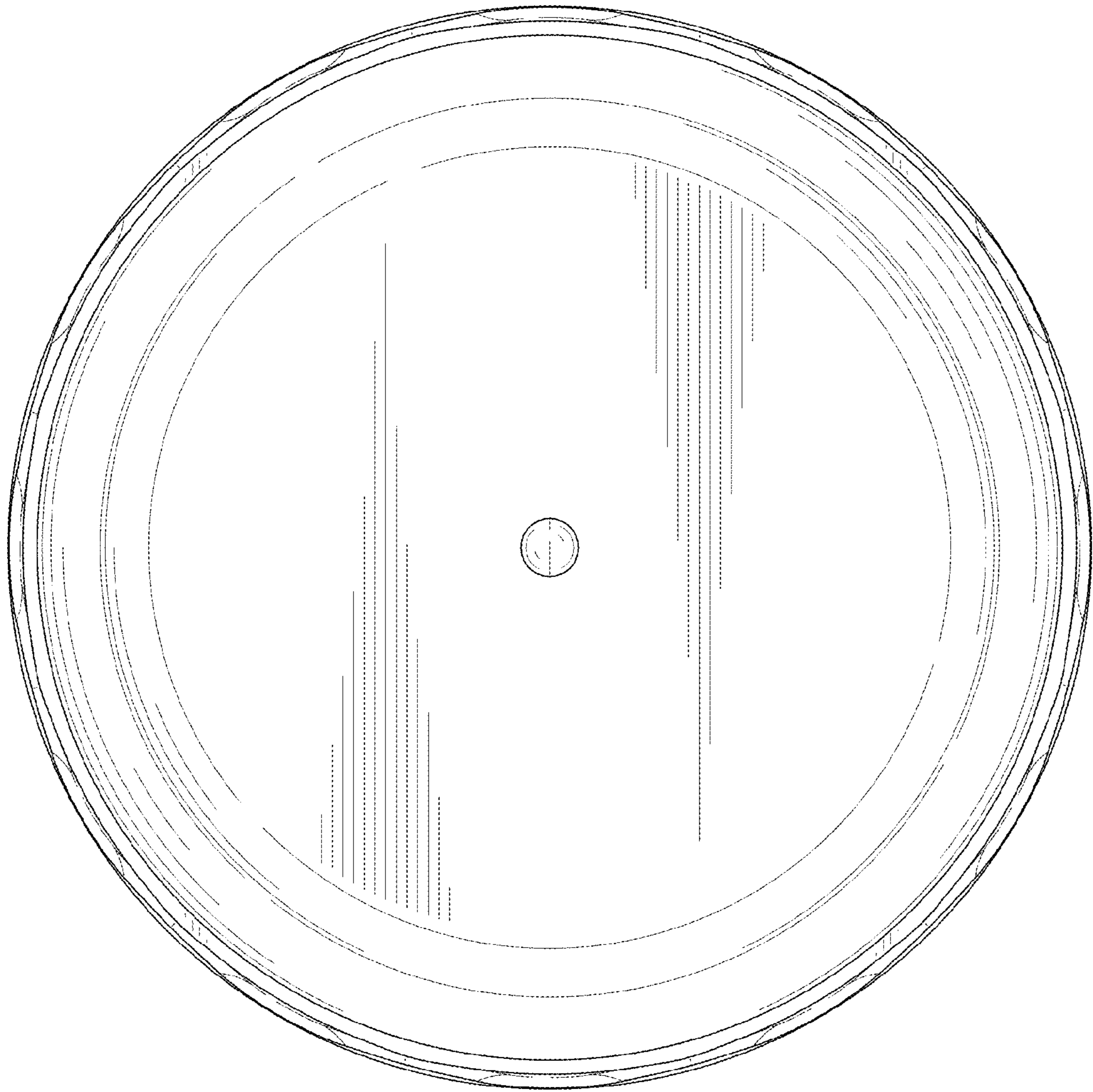


FIG. 7

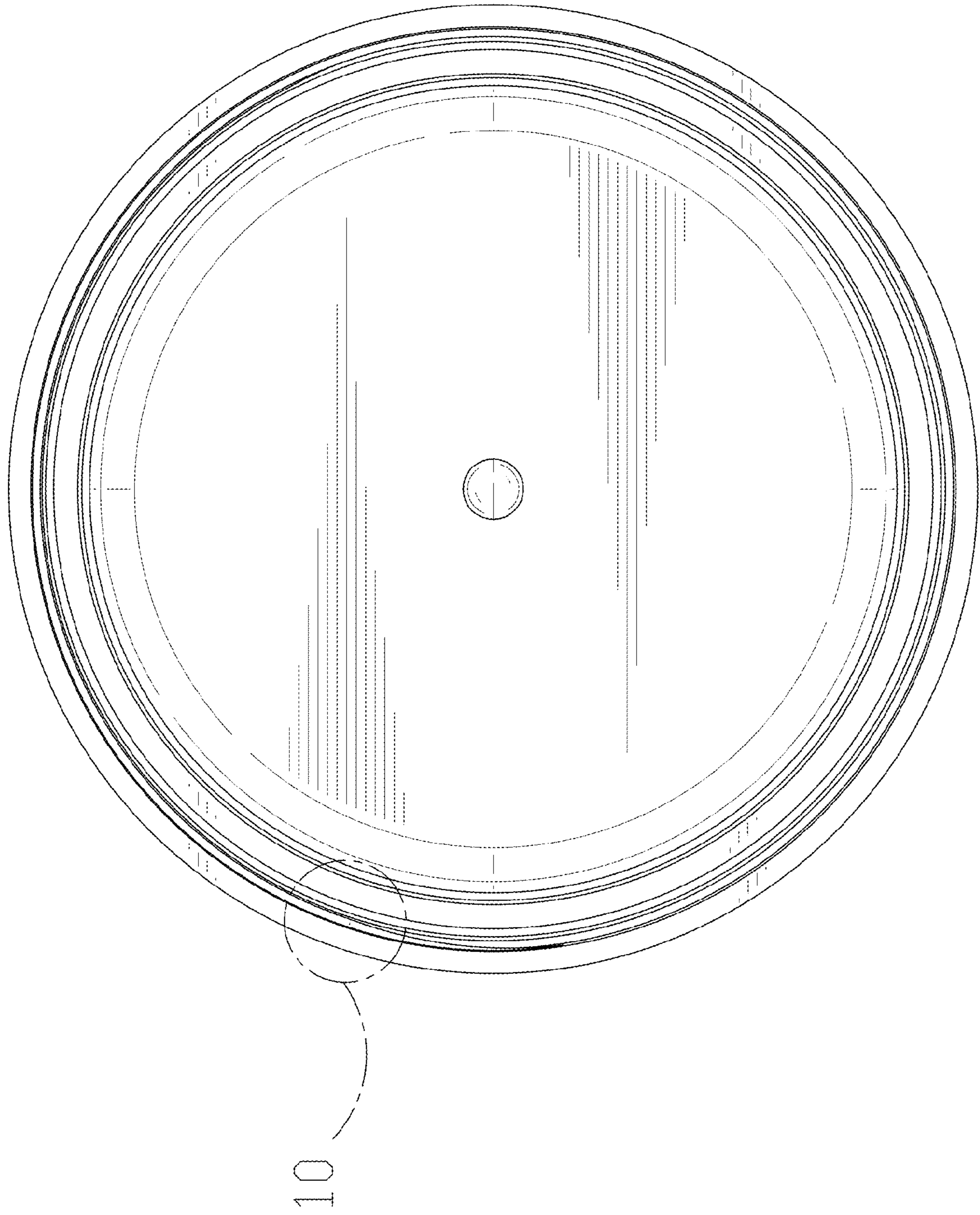


FIG. 8

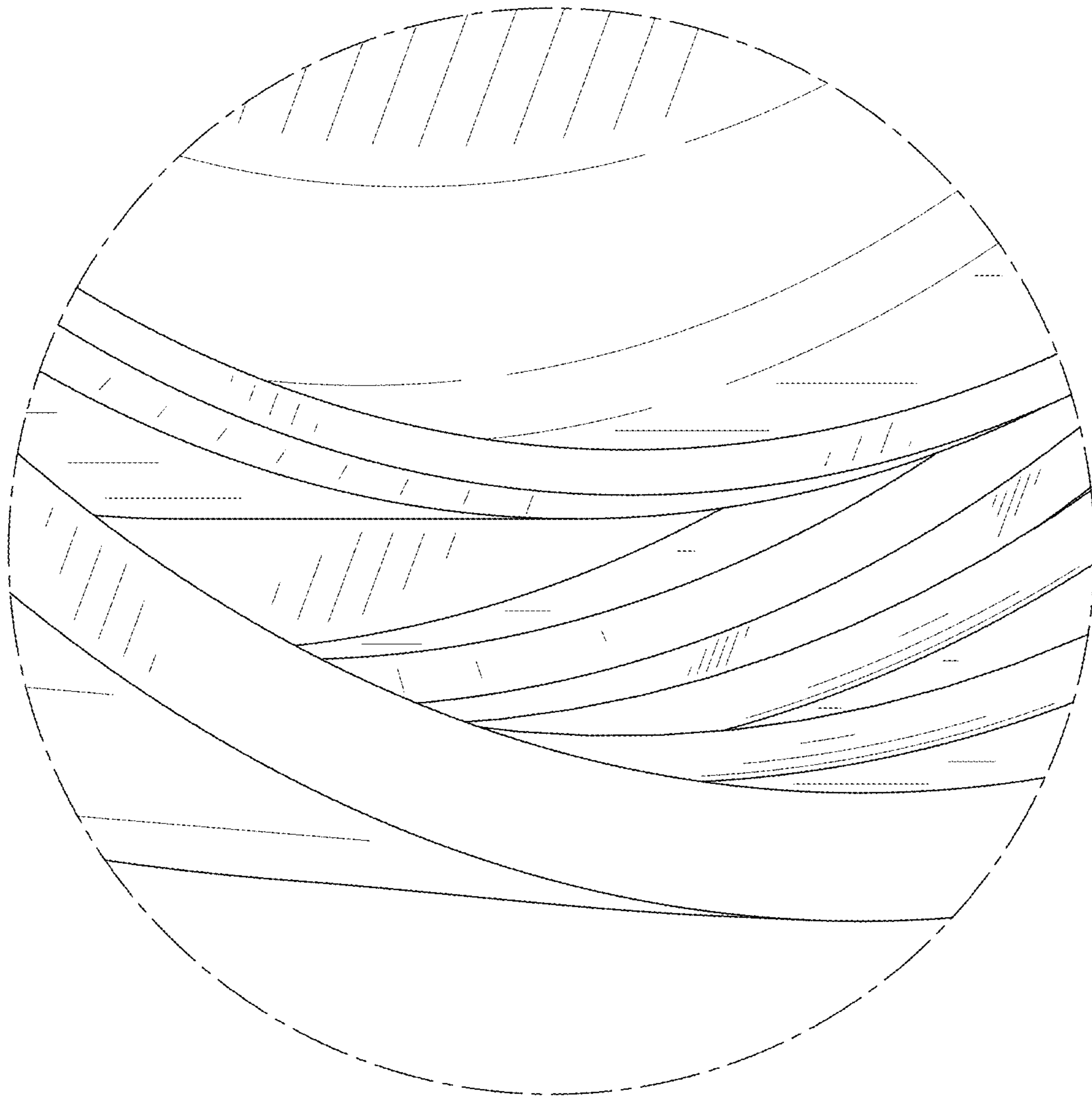


FIG. 9

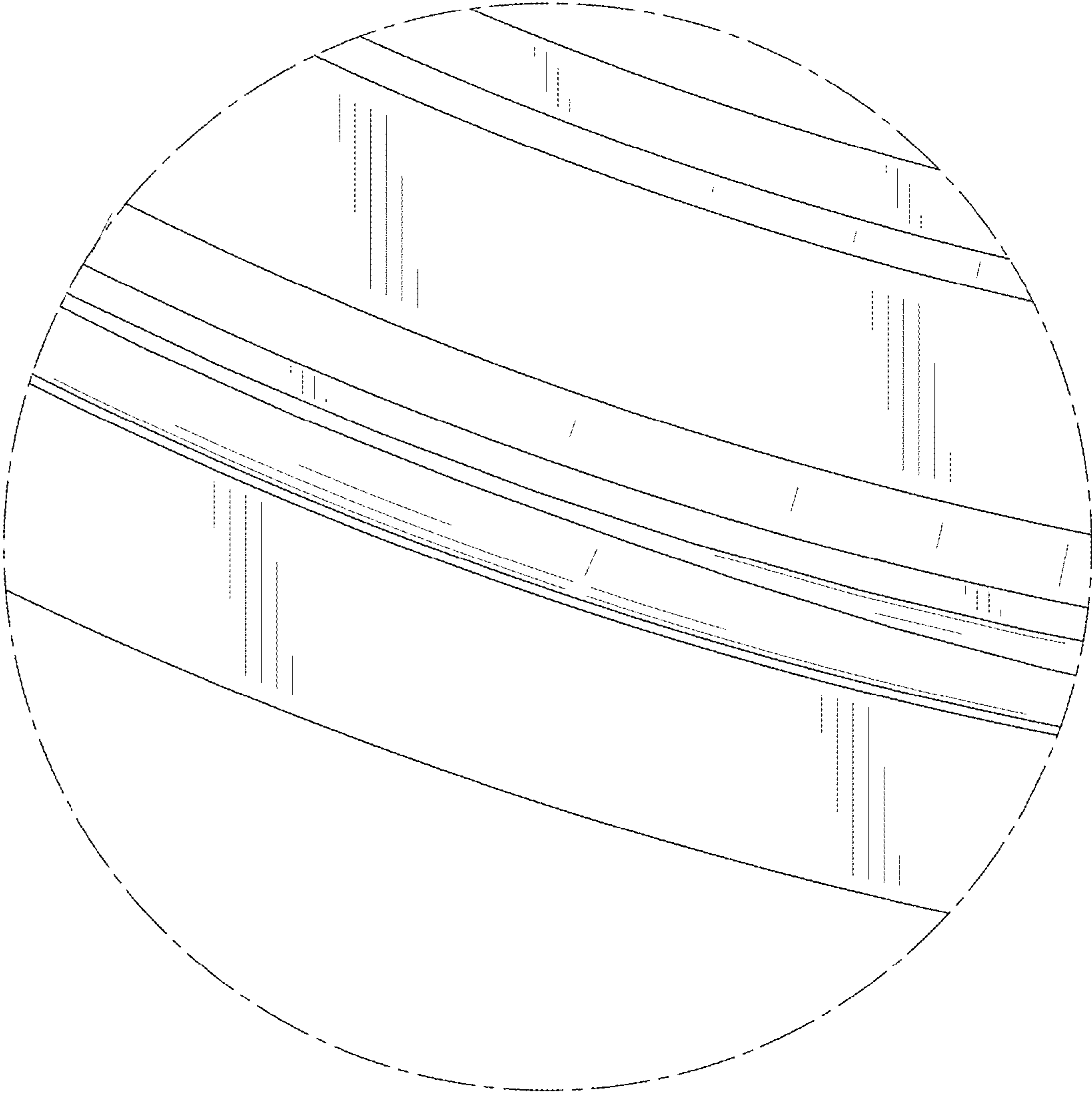


FIG. 10