



US00D988133S

(12) **United States Design Patent**
Kuo

(10) **Patent No.:** **US D988,133 S**
(45) **Date of Patent:** **** Jun. 6, 2023**

(54) **CUP LID WITH CLEFTS**

(71) Applicant: **Tse-Huang Kuo**, Taipei (TW)

(72) Inventor: **Tse-Huang Kuo**, Taipei (TW)

(**) Term: **15 Years**

(21) Appl. No.: **29/759,220**

(22) Filed: **Nov. 20, 2020**

(30) **Foreign Application Priority Data**

Jun. 10, 2020 (TW) 109303117

(51) **LOC (14) Cl.** **09-07**

(52) **U.S. Cl.**
USPC **D9/434; D9/499**

(58) **Field of Classification Search**
USPC D7/392.1, 396.2; D9/434-436, 443, 499
CPC B65D 43/0212; B65D 43/0222
See application file for complete search history.

(56) **References Cited**

U.S. PATENT DOCUMENTS

D198,723 S *	7/1964	Groves	D9/443
D200,447 S *	2/1965	Lerner	D9/453
D256,674 S *	9/1980	Hoyt	D9/443
D273,463 S *	4/1984	Morris	D9/443
D355,846 S *	2/1995	Denney	D9/449
D365,273 S *	12/1995	Indekeu	D9/434
D511,932 S *	11/2005	Smith	D7/396.2
D633,383 S *	3/2011	Pontes	D9/438
D633,790 S *	3/2011	Pontes	D9/438
D695,612 S *	12/2013	Chou	D9/449
D707,123 S *	6/2014	Marchetti	D9/434
D772,704 S *	11/2016	Hagleitner	D9/449
D779,949 S *	2/2017	Merz	D9/454
D820,677 S *	6/2018	D'Anglade	D9/435
10,064,507 B1 *	9/2018	Shih	B65D 47/12

10,940,980 B1 *	3/2021	Schaefer	B65D 51/18
D964,853 S *	9/2022	Rolfs	D9/434
2018/0134465 A1 *	5/2018	Kuo	B65D 45/30

OTHER PUBLICATIONS

At;as Obscura. Decoding the Design History of Your Coffee Cup Lid by Anika Burgess. Mar. 13, 2018. <https://www.atlasobscura.com/articles/coffee-lids-design-history> (Year: 2018).*

* cited by examiner

Primary Examiner — Darcey E Gottschalk

(74) *Attorney, Agent, or Firm* — Muncy, Geissler, Olds & Lowe, P.C.

(57) **CLAIM**

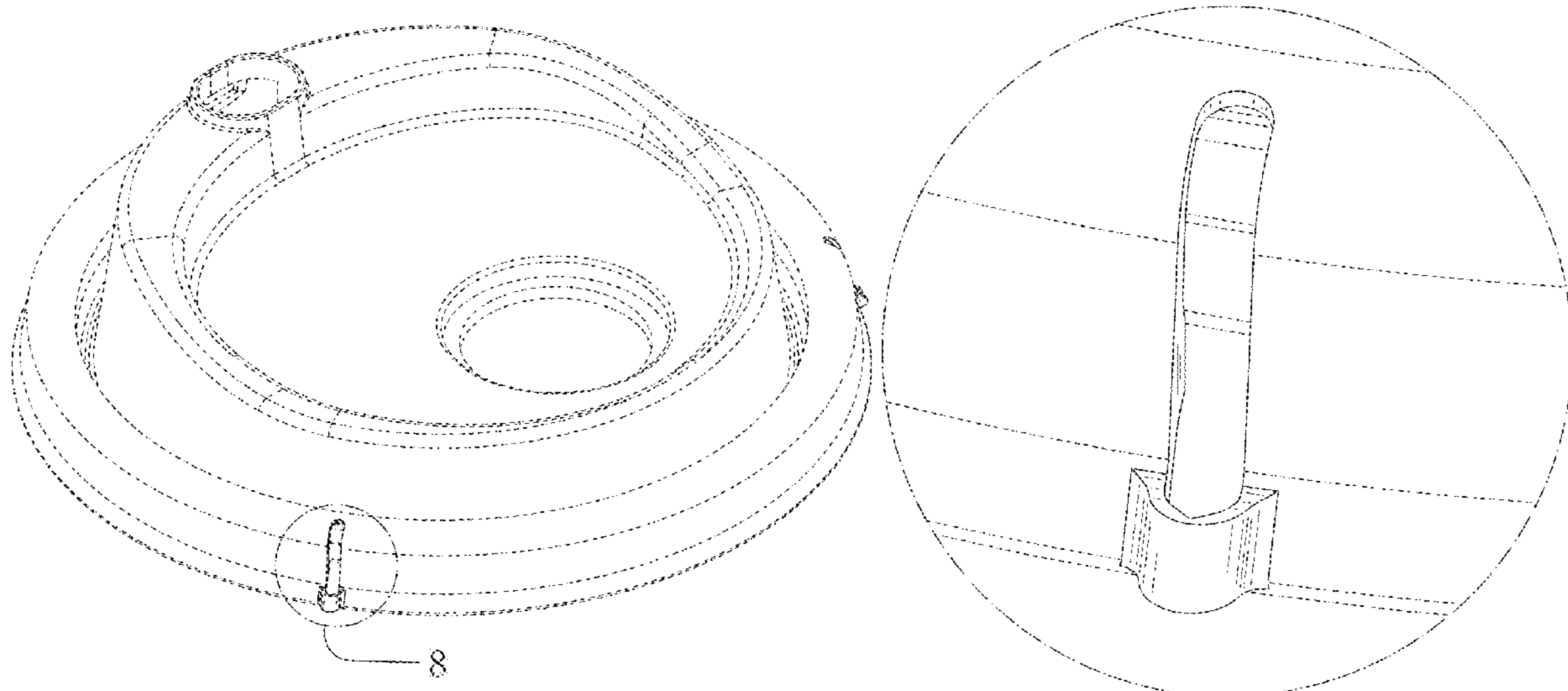
The ornamental design for a cup lid with clefts, as shown and described.

DESCRIPTION

FIG. 1 is a top perspective view of a cup lid with clefts in accordance with the present design;
FIG. 2 is a front side elevation view thereof;
FIG. 3 is a rear side elevation view thereof;
FIG. 4 is a right side elevation view thereof;
FIG. 5 is a left side elevation view thereof;
FIG. 6 is a top plan view thereof;
FIG. 7 is a bottom plan view thereof; and,
FIG. 8 is an enlarged elevational view of a circle 8 of FIG. 1.

The broken lines show portions of the cup lid that form no part of the claimed design.
In FIGS. 1 and 8, the dash-dot-dash broken lines represent an enlarged view designation that form no part of the claim.

1 Claim, 8 Drawing Sheets



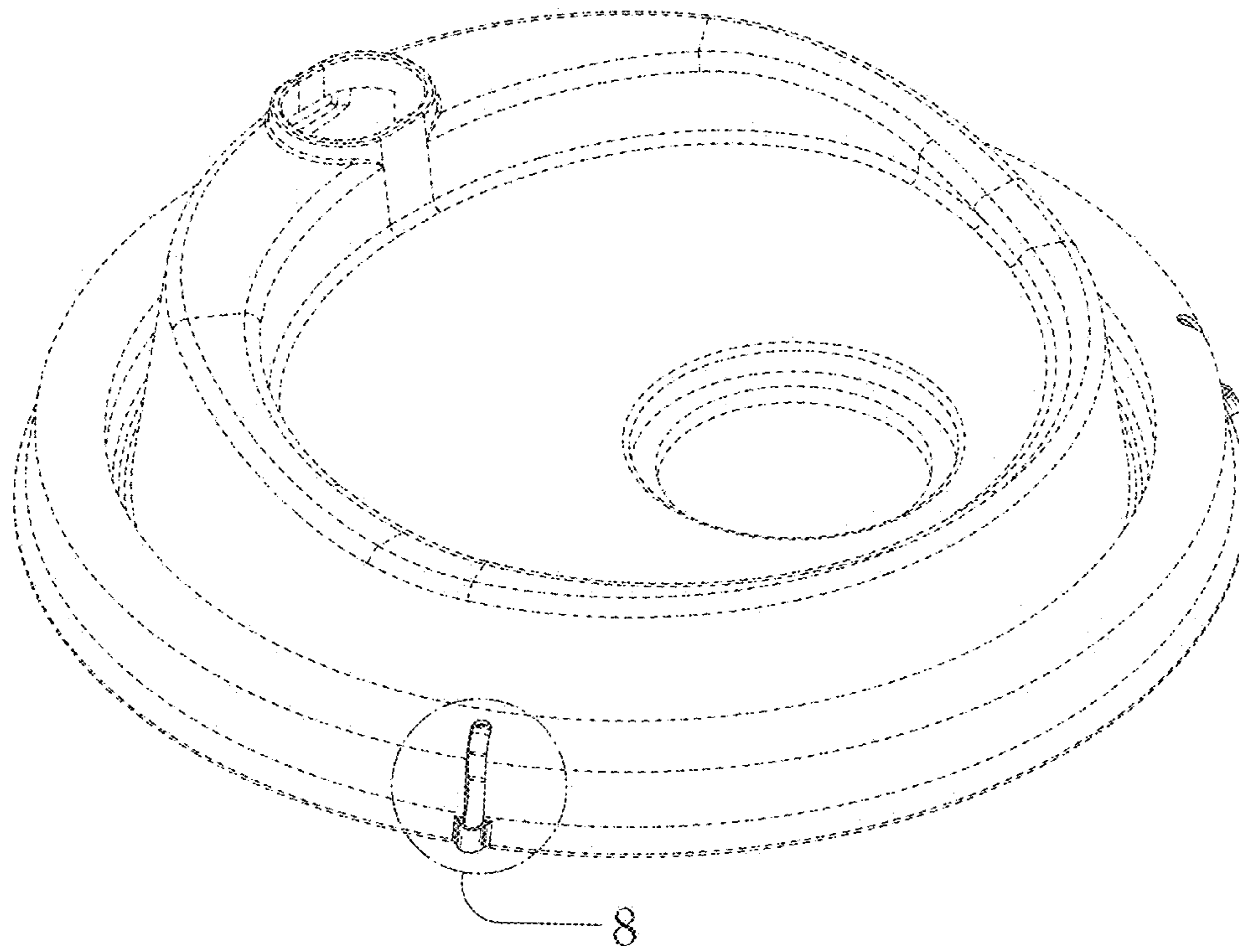


FIG. 1

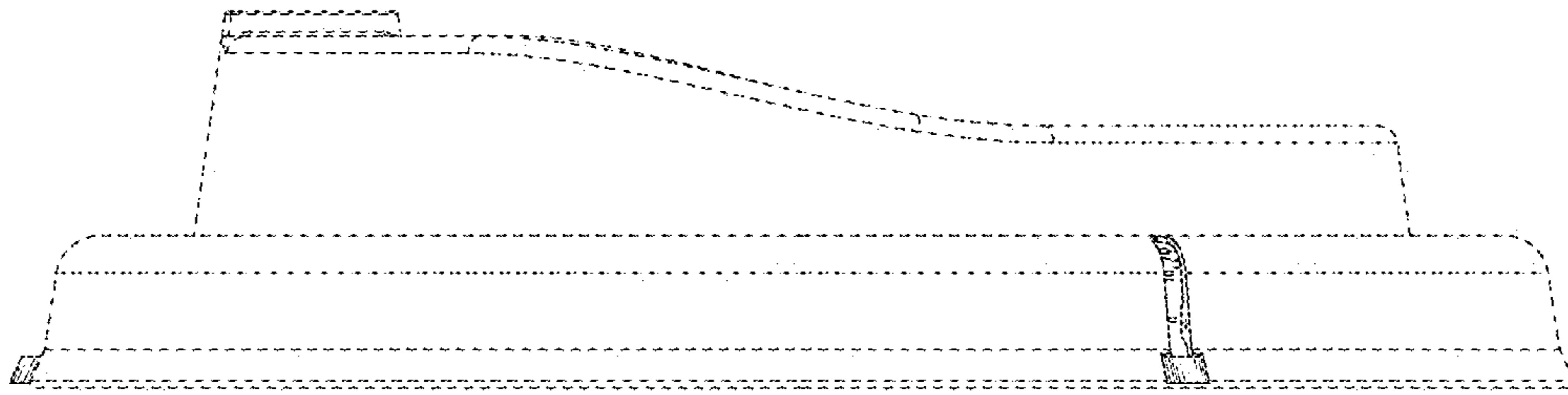


FIG. 2

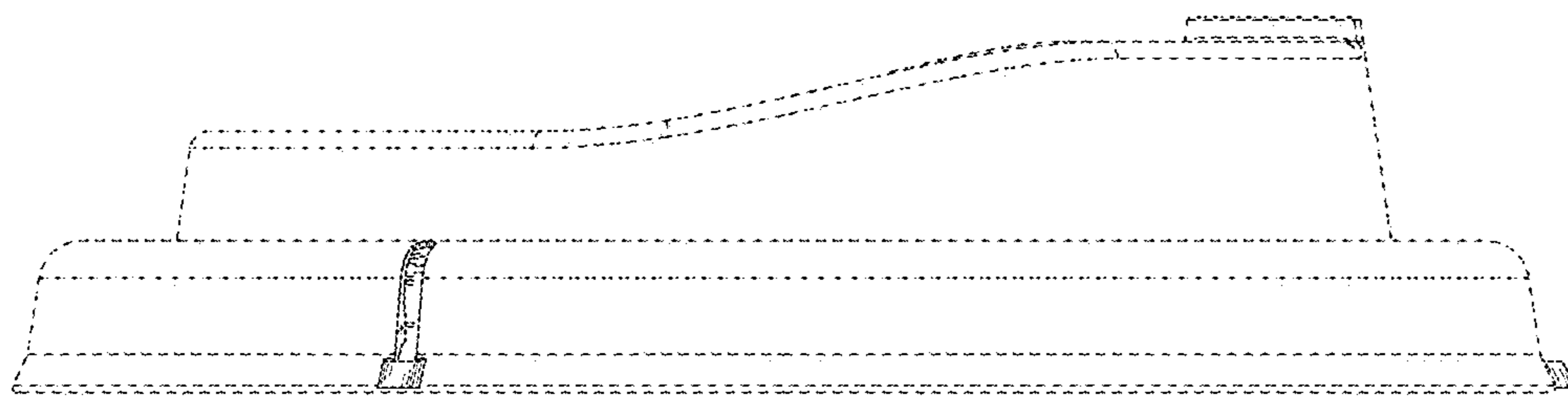


FIG. 3

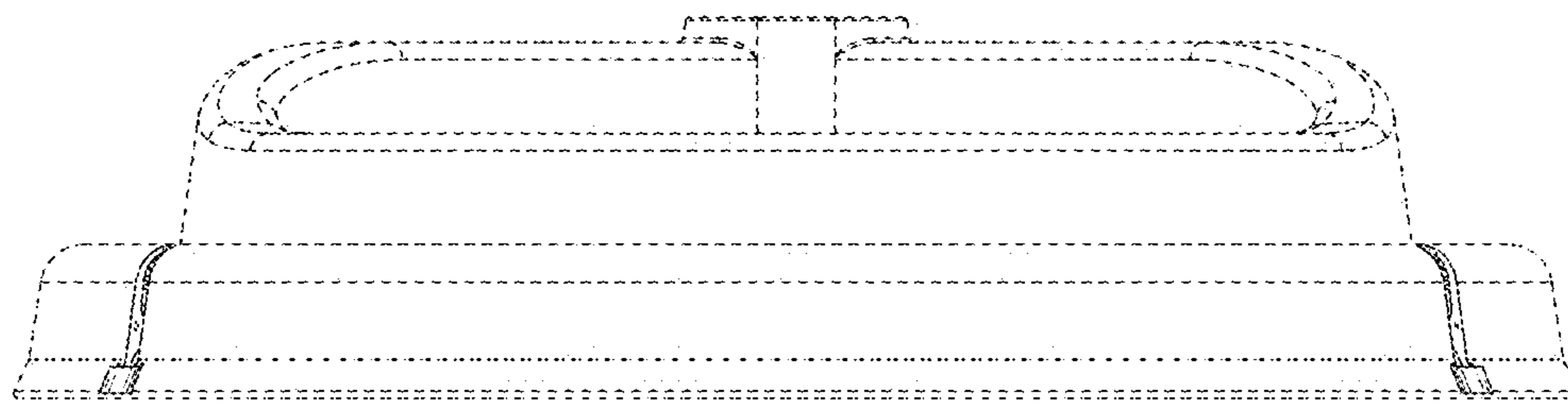


FIG. 4

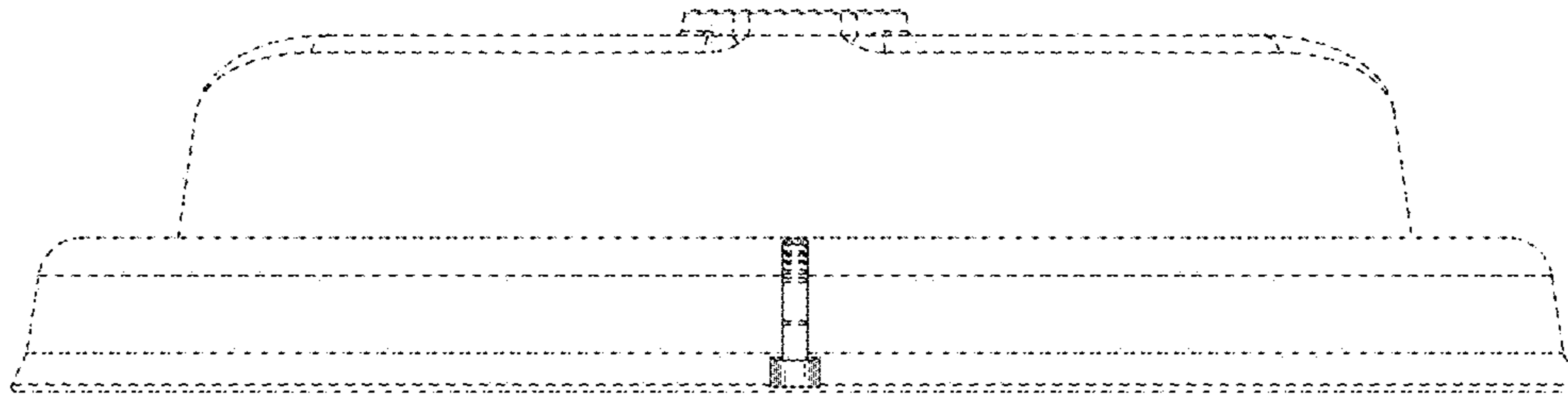


FIG. 5

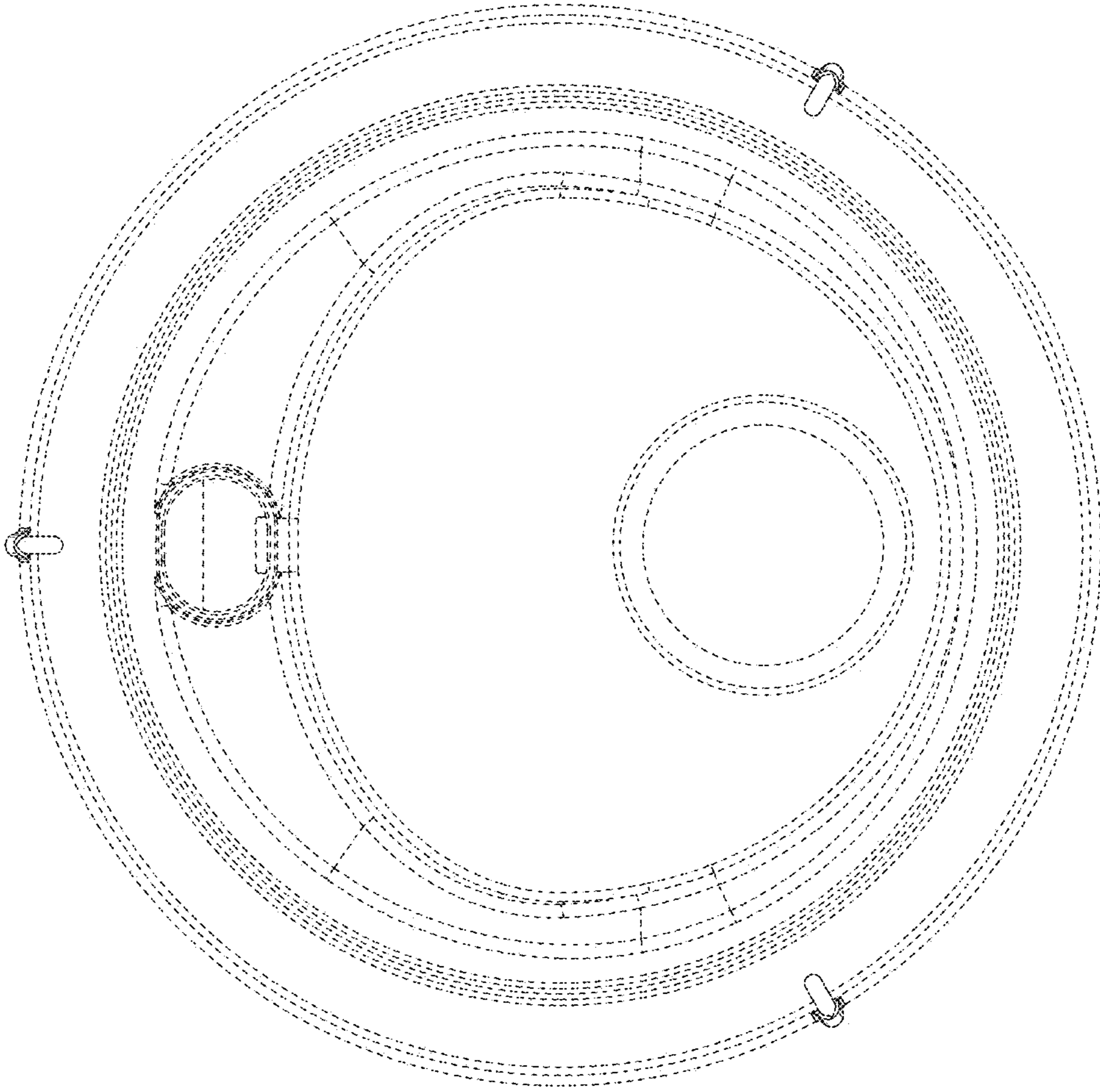


FIG. 6

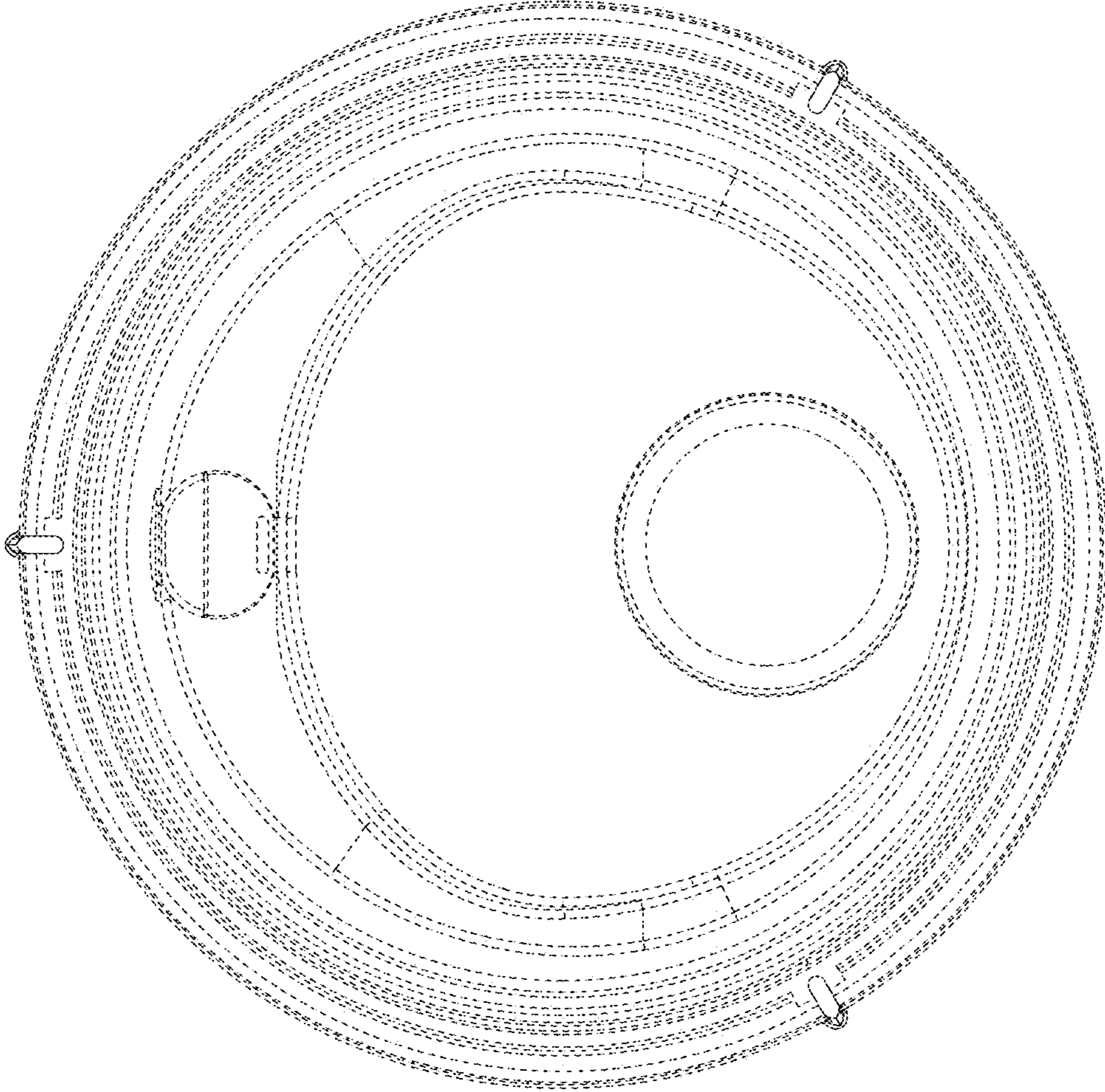


FIG. 7

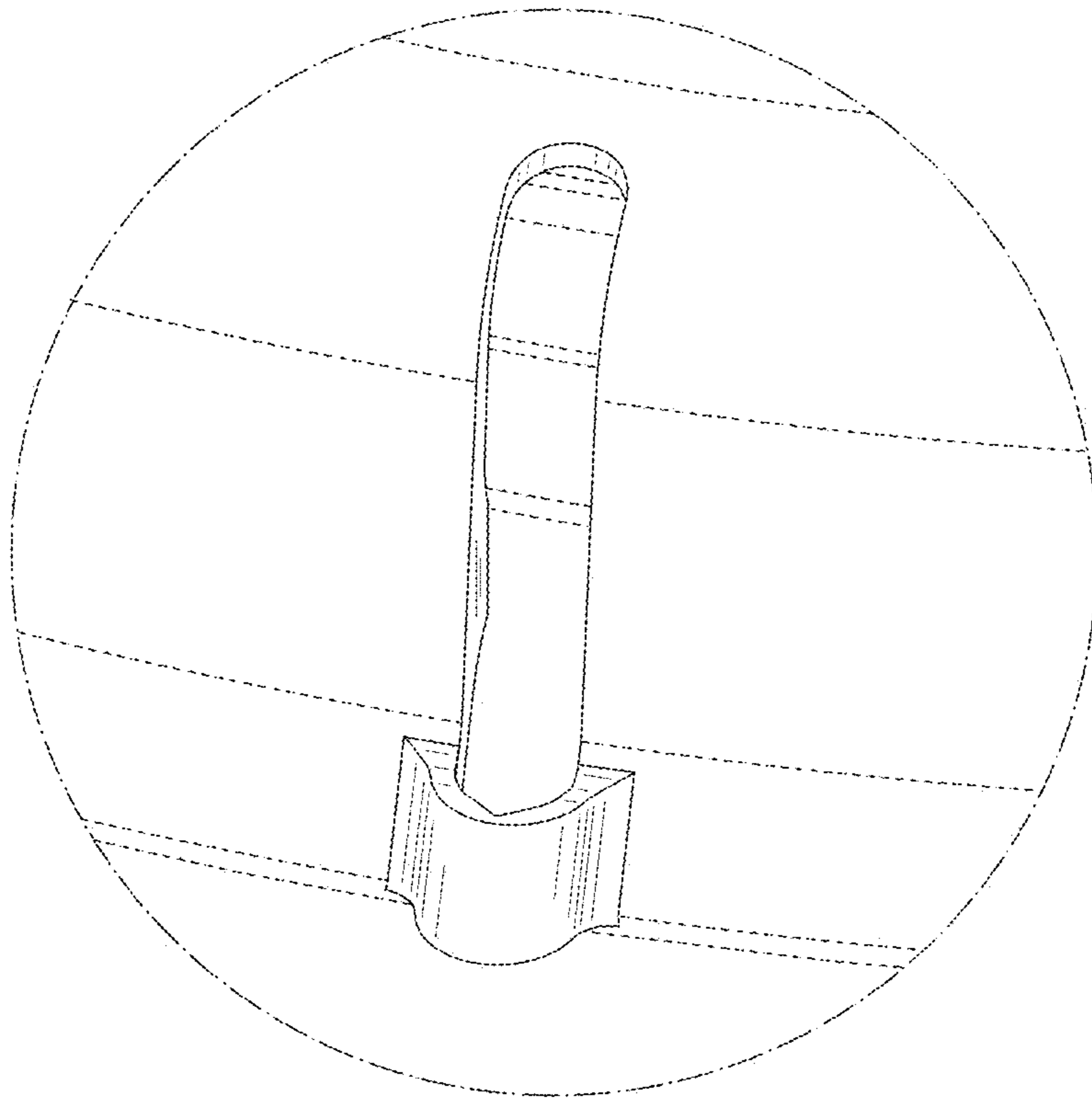


FIG. 8