



US00D988132S

(12) **United States Design Patent** (10) **Patent No.:** **US D988,132 S**
Twiss et al. (45) **Date of Patent:** **** Jun. 6, 2023**

(54) **METAL CONTAINER CLOSURE**
(71) Applicant: **Crown Packaging Technology, Inc.**,
Alsip, IL (US)
(72) Inventors: **Matthew Twiss**, Oxfordshire (GB);
Benjamin Mattin, Oxfordshire (GB)
(73) Assignee: **Crown Packaging Technology, Inc.**,
Alsip, IL (US)
(**) Term: **15 Years**
(21) Appl. No.: **29/733,869**
(22) Filed: **May 7, 2020**
(30) **Foreign Application Priority Data**

Nov. 8, 2019 (EM) 007207824
(51) **LOC (14) Cl.** **09-07**
(52) **U.S. Cl.**
USPC **D9/452; D9/454**
(58) **Field of Classification Search**
USPC D7/392.1, 396.2, 509, 510, 511, 601,
D7/602, 619.1, 629, 900; D9/434-436,
D9/454, 499, 428, 443, 453, 516, 529,
D9/537, 539, 540, 542, 543, 549, 558,
D9/574, 575, 763, 767, 772, 779, 780,
D9/452
CPC B65D 41/17; B65D 41/0457; B65D
51/1688; B65D 53/02; B65D 1/0253
See application file for complete search history.

(56) **References Cited**
U.S. PATENT DOCUMENTS
D30,338 S * 3/1899 Mann D9/434
2,273,247 A * 2/1942 Barnby B65D 43/0222
220/806
3,065,875 A * 11/1962 Negoro B65D 43/0212
229/125.17

3,372,834 A * 3/1968 Ayotte B65D 41/17
220/780
3,428,214 A * 2/1969 Leon B65D 1/265
D7/510
D231,601 S * 5/1974 Cvacho D9/779
(Continued)

OTHER PUBLICATIONS

Packaging Insights. BrauBeviale 2018: Crown and Ball exhibit design and connective enhancements in can-differentiation showdown. Nov. 16, 2018. <https://www.packaginginsights.com/news/braubevaile-2018-crown-and-ball-exhibit-design-and-connective-enhancements-in-can-differentiation-showdown.html> (Year: 2018).*
(Continued)

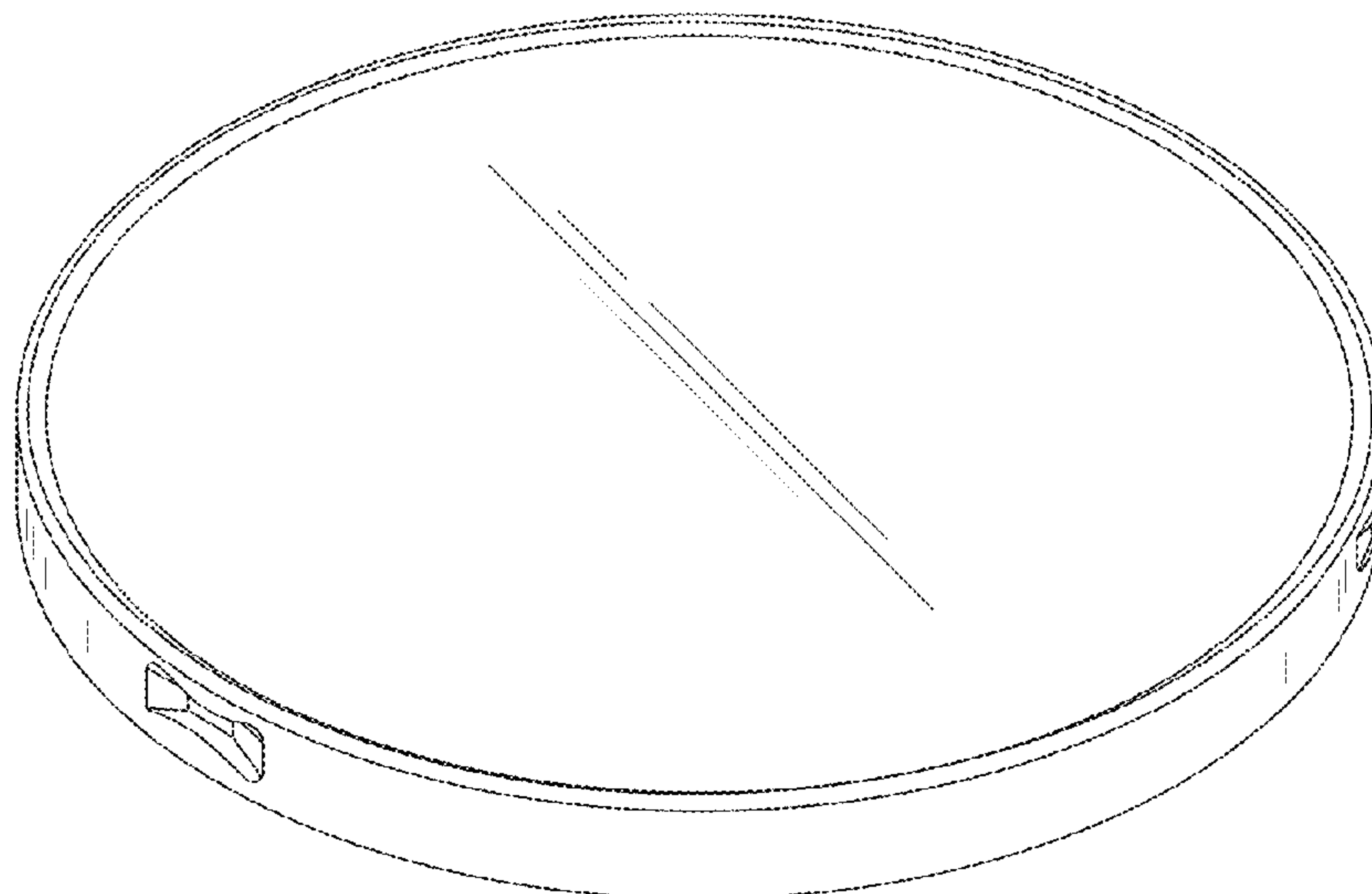
Primary Examiner — Darcey E Gottschalk
(74) *Attorney, Agent, or Firm* — Condo Roccia Koptiw LLP

(57) **CLAIM**
The ornamental design for a metal container closure, as shown and described.

DESCRIPTION

FIG. 1 is a top perspective view of a metal container closure according to our design;
FIG. 2 is a bottom perspective view of the metal container closure of FIG. 1;
FIG. 3 is a top plan view of the metal container closure of FIG. 1;
FIG. 4 is a bottom plan view of the metal container of FIG. 1;
FIG. 5 is front-side elevation view of the metal container closure of FIG. 1;
FIG. 6 is a rear-side elevation view of the metal container closure of FIG. 1;
FIG. 7 is a left-side elevation view of the metal container closure of FIG. 1; and,
FIG. 8 is a right-side elevation view of the metal container closure of FIG. 1.

1 Claim, 8 Drawing Sheets



(56)

References Cited

U.S. PATENT DOCUMENTS

D239,437 S * 4/1976 Boduck B65D 43/0222
 D9/452
 D248,373 S * 7/1978 Allen D9/518
 D248,544 S * 7/1978 Saunders D9/780
 4,133,996 A * 1/1979 Fread A47J 29/00
 D7/354
 D262,517 S * 1/1982 Hayes D9/780
 D286,026 S * 10/1986 Rayner D9/435
 D322,753 S * 12/1991 Sussman D9/504
 D336,039 S * 6/1993 Tanaka D9/780
 D531,519 S * 11/2006 Ioannides D9/776
 D582,274 S * 12/2008 Vogel B65D 1/265
 D9/449
 D585,305 S * 1/2009 Alvares D9/780
 D587,137 S * 2/2009 Hayden D9/772
 D599,168 S * 9/2009 Alviar D7/510
 D640,505 S * 6/2011 George D7/510
 D647,400 S * 10/2011 Fields D9/434
 D651,082 S * 12/2011 Dunwoody D9/435
 D655,134 S * 3/2012 Gilbert D9/504
 D731,239 S * 6/2015 Rothfield B65D 43/0212
 D7/392.1
 D741,655 S * 10/2015 Whelan D7/300.1
 D751,384 S * 3/2016 Torrison D9/416

D752,978 S * 4/2016 Zabeleta D9/454
 D784,811 S * 4/2017 Scevola D9/434
 D792,220 S * 7/2017 Simons D9/434
 D849,524 S * 5/2019 Gadd D9/454
 D871,852 S * 1/2020 Haas D7/510
 D876,236 S * 2/2020 Griffis D9/454
 D876,594 S * 2/2020 Watanabe D23/269
 D895,440 S * 9/2020 König D9/779
 D917,963 S * 5/2021 Öztürk D7/392.1
 11,021,303 B2 * 6/2021 Ramsey B65D 51/1688
 D947,675 S * 4/2022 Yamada D9/454
 D970,341 S * 11/2022 Yoshida D9/454
 2014/0263321 A1 * 9/2014 Chisholm B65D 51/145
 220/240

OTHER PUBLICATIONS

Food Manufacture. Crown shines light on metal—James Ridler. Jul. 14, 2020. <https://www.foodmanufacture.co.uk/Article/2020/07/14/Crown-shines-light-on-metal> (Year: 2020).*

Crown Cork—Crown Brand-Building Packaging. Revolutionary Peelfit™ Can from Crown Takes Functionality and Sustainability to the Next Level. Oct. 17, 2016. <https://www.crowncork.com/news/press-room/revolutionary-peelfit-can-crown-takes-functionality-and-sustainability-next-level> (Year: 2016).*

* cited by examiner

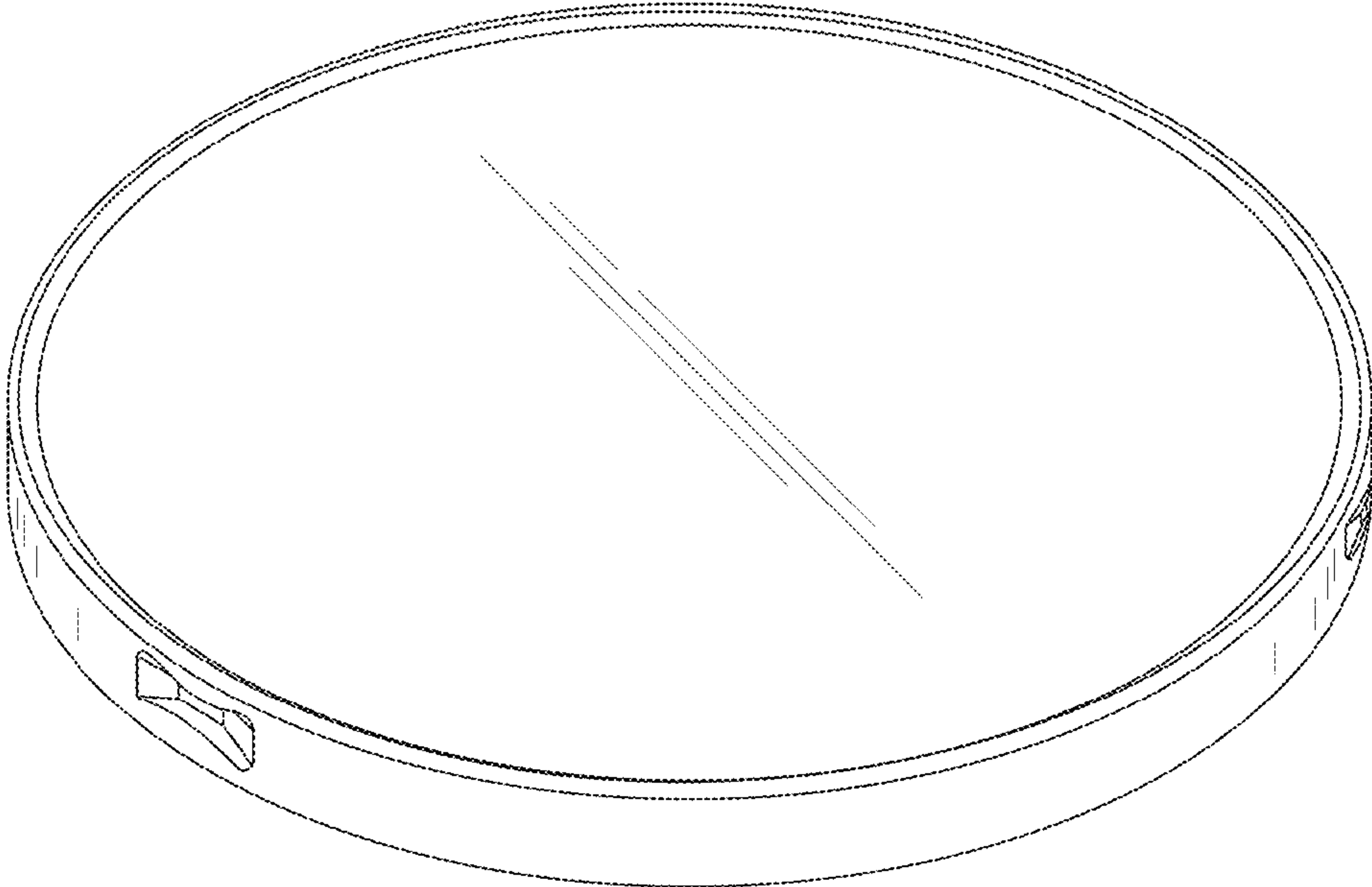


FIG. 1

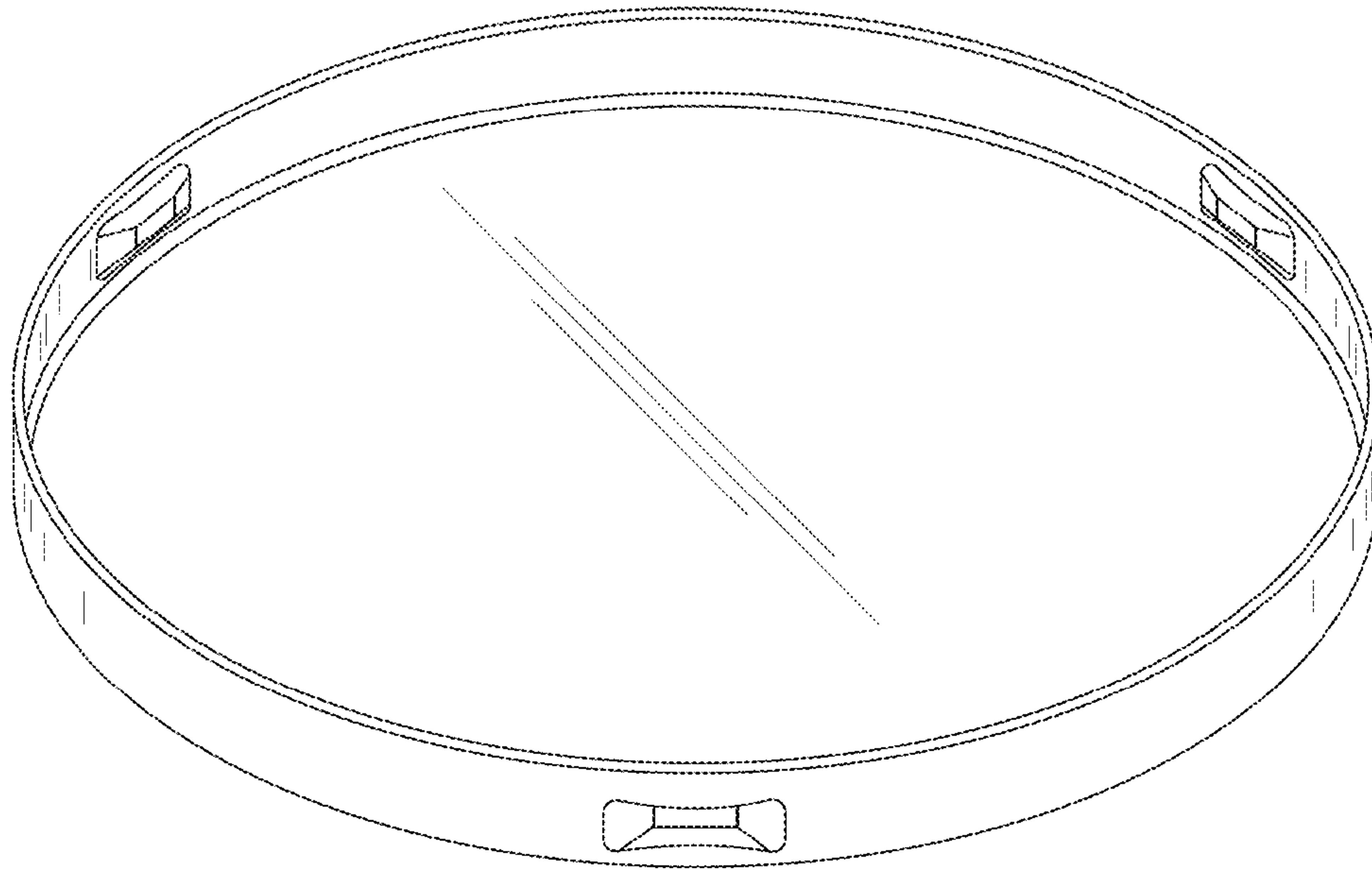


FIG. 2

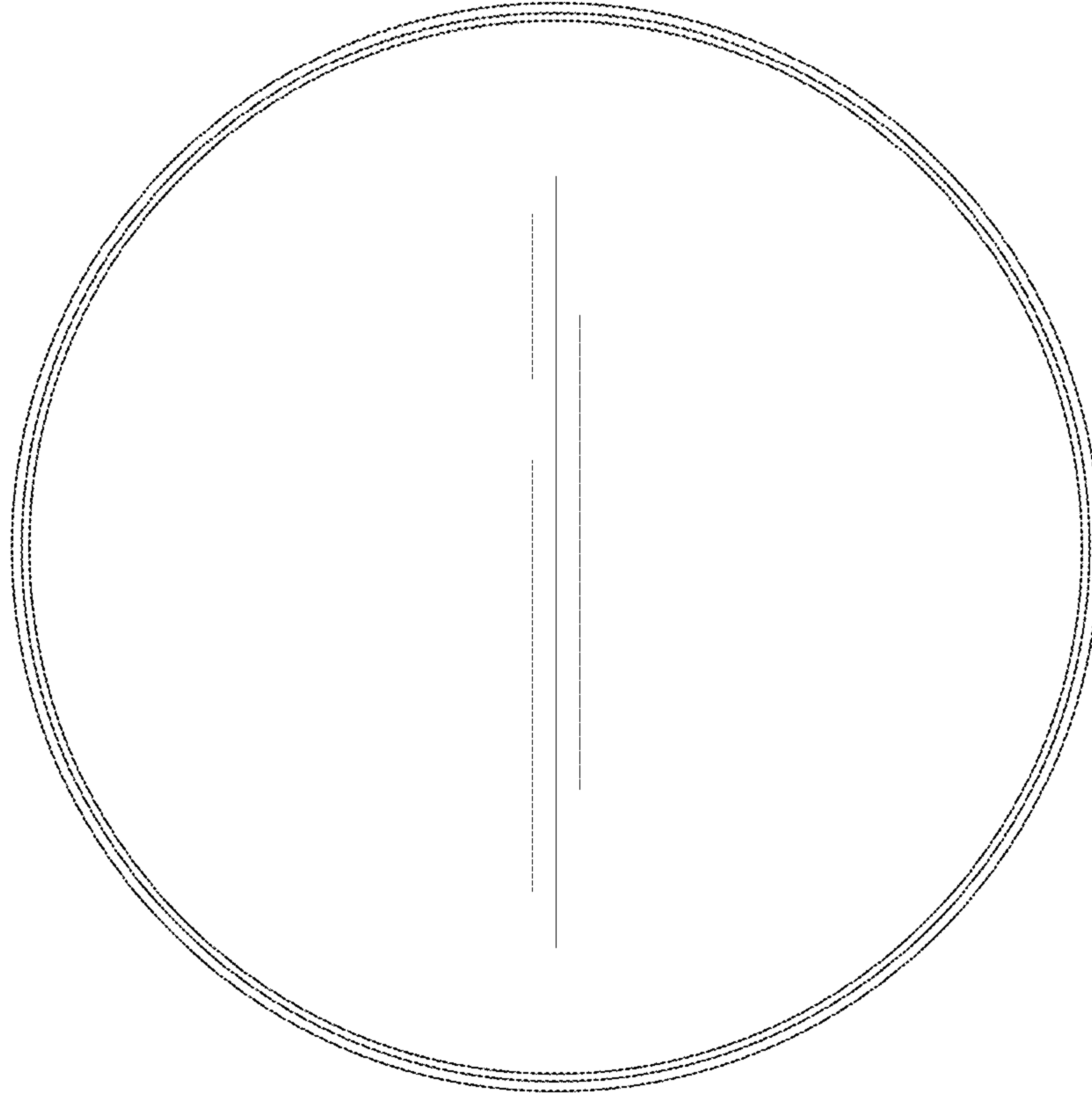


FIG. 3

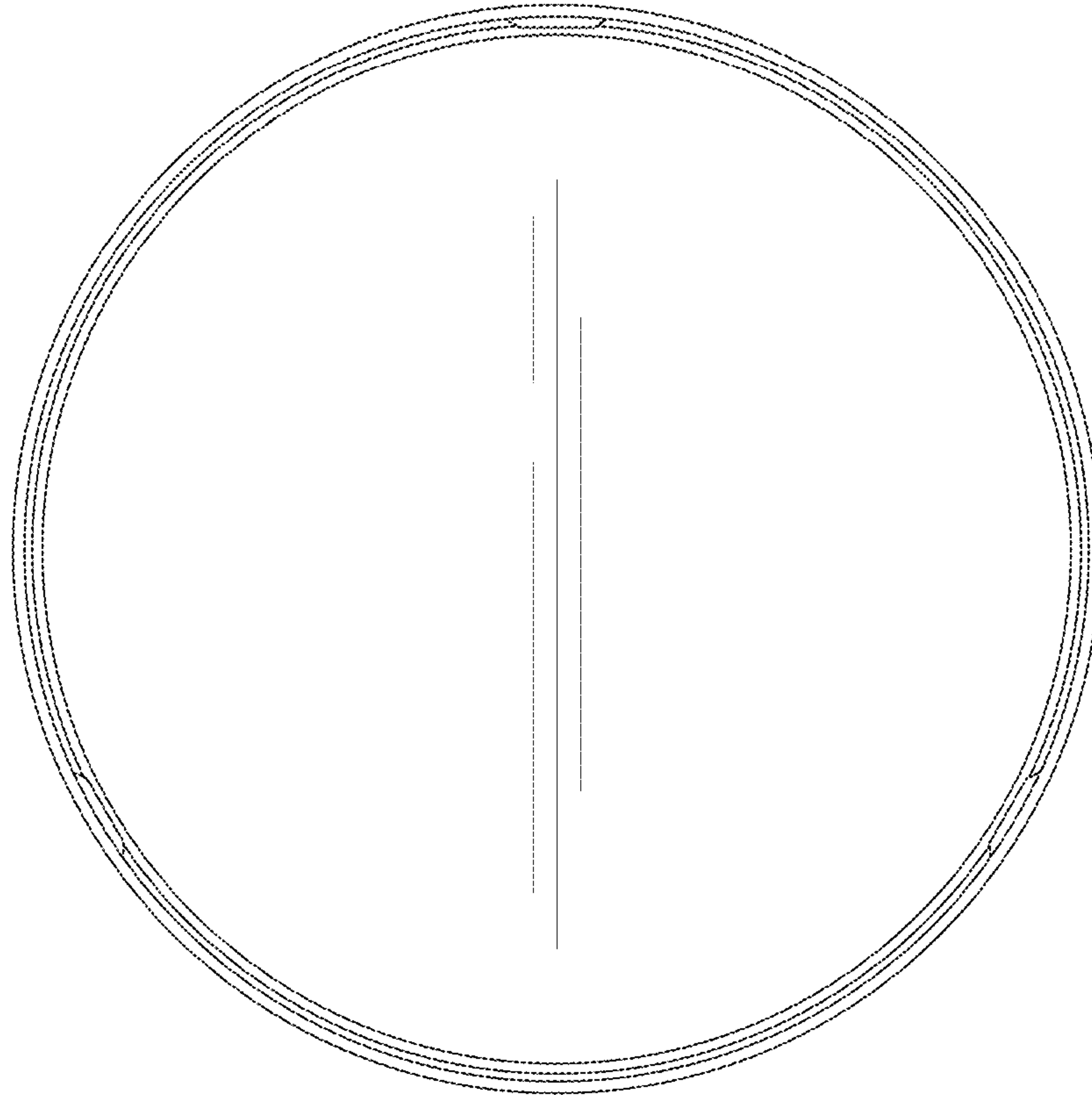


FIG. 4

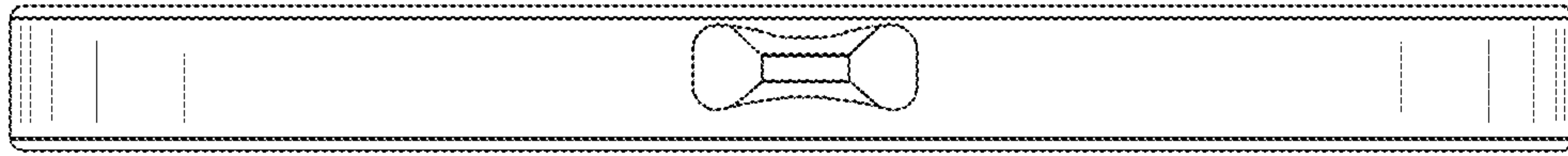


FIG. 5



FIG. 6



FIG. 7



FIG. 8