



US00D988130S

(12) **United States Design Patent** (10) **Patent No.:** **US D988,130 S**  
**Pindor et al.** (45) **Date of Patent:** **\*\* Jun. 6, 2023**

- (54) **SPRAY CAN ACTUATOR**
- (71) Applicant: **B'LASTER LLC**, Valley View, OH (US)
- (72) Inventors: **Randy M. Pindor**, Brecksville, OH (US); **Theodore Bradley**, North Ridgeville, OH (US); **Gregory L. Skillicorn**, Akron, OH (US)
- (73) Assignee: **B'LASTER LLC**, Valley View, OH (US)
- (\*\*) Term: **15 Years**
- (21) Appl. No.: **29/800,674**
- (22) Filed: **Jul. 22, 2021**

- D105,981 S \* 9/1937 Casey ..... D9/447
- 3,083,872 A 4/1963 Meshberg
- 4,690,312 A 9/1987 Crapser
- D320,162 S \* 9/1991 Sorenson ..... D8/387
- 5,154,323 A 10/1992 Query et al.
- D358,989 S 6/1995 Woods
- D371,738 S 7/1996 Lamb

(Continued)

**OTHER PUBLICATIONS**

Vehicle Service Pros. Tool Review: B'laster ProStraw with Control Flow Technology. May 5, 2020. <https://www.vehicleservicepros.com/service-repair/the-garage/article/21136828/blaster-llc-tool-review-blaster-prostraw-with-control-flow-technology> (Year: 2020).\*

(Continued)

*Primary Examiner* — Darcey E Gottschalk

(57) **CLAIM**

The ornamental design for a spray can actuator, as shown and described.

**DESCRIPTION**

FIG. 1 is a left side rear bird's eye perspective view of a spray can actuator showing our new design, and with a movable straw shown in a down position;  
 FIG. 2 is a left side front ant's eye perspective view the design of FIG. 1;  
 FIG. 3 is a rear view of the design of FIG. 1;  
 FIG. 4 is a front view of the design of FIG. 1;  
 FIG. 5 is a right side view of the design shown in FIG. 4;  
 FIG. 6 is a left side view of the design of FIG. 4;  
 FIG. 7 is a top view of the design of FIG. 4;  
 FIG. 8 is a bottom view of the design of FIGS. 6 and 7; and,  
 FIG. 9 is a left side front bird's eye perspective view of the spray can actuator of FIG. 1, and with the moveable straw shown in an up position.  
 In the drawings, the broken lines depict unclaimed subject matter only and form no part of the claimed design.

**1 Claim, 6 Drawing Sheets**

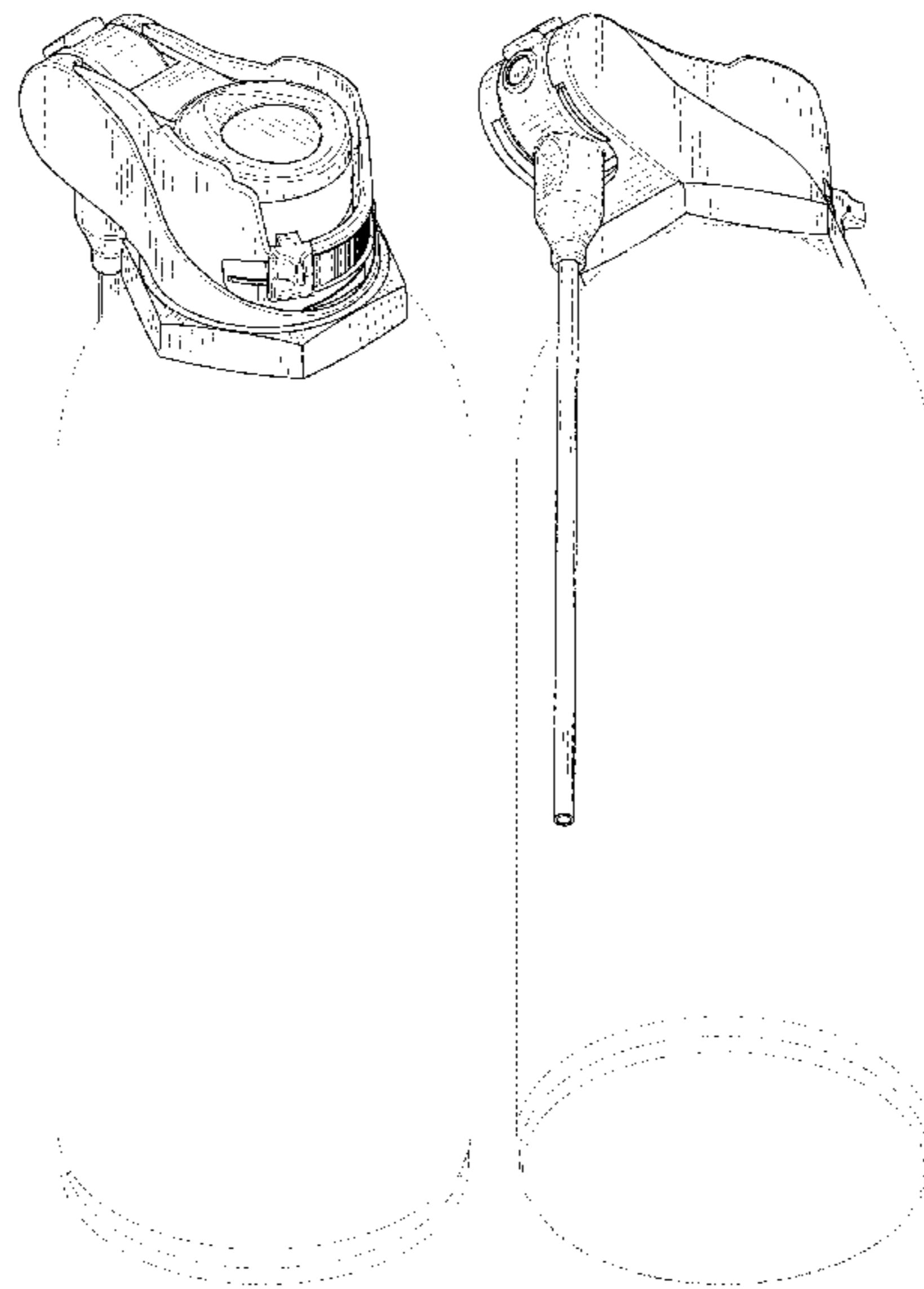
**Related U.S. Application Data**

- (60) Division of application No. 29/708,310, filed on Oct. 4, 2019, now Pat. No. Des. 929,229, which is a continuation-in-part of application No. 16/138,576, filed on Sep. 21, 2018, now Pat. No. 10,464,736, and a continuation-in-part of application No. 29/664,157, filed on Sep. 21, 2018, now Pat. No. Des. 907,491.
- (51) **LOC (14) Cl.** ..... **09-07**
- (52) **U.S. Cl.**  
USPC ..... **D9/448; D9/449**
- (58) **Field of Classification Search**  
USPC ..... D7/392.1, 396.2, 387; D9/440, 443, D9/452-454, 499, 434-436, 446-449, D9/452-456  
CPC ..... B65D 83/205; B65D 83/303  
See application file for complete search history.

(56) **References Cited**

**U.S. PATENT DOCUMENTS**

- D55,125 S \* 5/1920 Hammer ..... D9/453
- D78,805 S \* 6/1929 Burke ..... D9/453



(56)

References Cited

U.S. PATENT DOCUMENTS

D380,384 S 7/1997 Ferrara  
 6,105,882 A 8/2000 Woltjen  
 6,293,436 B2 9/2001 Faughnder et al.  
 D476,558 S 7/2003 Cho  
 6,796,464 B1 9/2004 Tung  
 7,070,072 B2 7/2006 Bonham  
 D533,061 S \* 12/2006 Li ..... D9/449  
 D536,970 S 2/2007 Shannan  
 7,249,692 B2 7/2007 Walters  
 D587,576 S 3/2009 Miller  
 D659,534 S 5/2012 Taylor  
 D672,653 S \* 12/2012 Antier ..... D9/449  
 D673,043 S \* 12/2012 Antier ..... D9/449  
 8,353,465 B2 1/2013 Tryon  
 D679,597 S \* 4/2013 Tamarindo ..... D9/453  
 D691,040 S 10/2013 Wade et al.  
 D710,697 S 8/2014 Lind  
 D723,368 S 3/2015 Checklin et al.  
 D734,151 S 7/2015 Herbst  
 D746,135 S 12/2015 Lind  
 9,248,457 B2 2/2016 Hanson  
 9,352,896 B2 5/2016 Deutsch

D820,637 S \* 6/2018 Davis ..... D7/392.1  
 10,065,791 B1 9/2018 Charles  
 10,464,736 B1 \* 11/2019 Pindor ..... B65D 83/303  
 D889,194 S \* 7/2020 Han ..... D7/392.1  
 D907,491 S \* 1/2021 Pindor ..... D9/448  
 D929,228 S \* 8/2021 Takizawa ..... D9/448  
 D929,229 S \* 8/2021 Pindor ..... D9/448  
 D947,668 S \* 4/2022 Righi ..... D9/688  
 11,370,600 B1 \* 6/2022 Pindor ..... B05B 11/0094  
 D961,385 S \* 8/2022 Cats-Djasai ..... D9/435  
 D961,388 S \* 8/2022 Campbell ..... D9/448  
 2002/0053579 A1 5/2002 Baumgart  
 2004/0164105 A1 8/2004 Stern  
 2005/0173465 A1 8/2005 Roden  
 2017/0203908 A1 7/2017 Sater et al.  
 2019/0077580 A1 3/2019 Starzman  
 2020/0047980 A1 \* 2/2020 Schroer ..... B65D 83/303

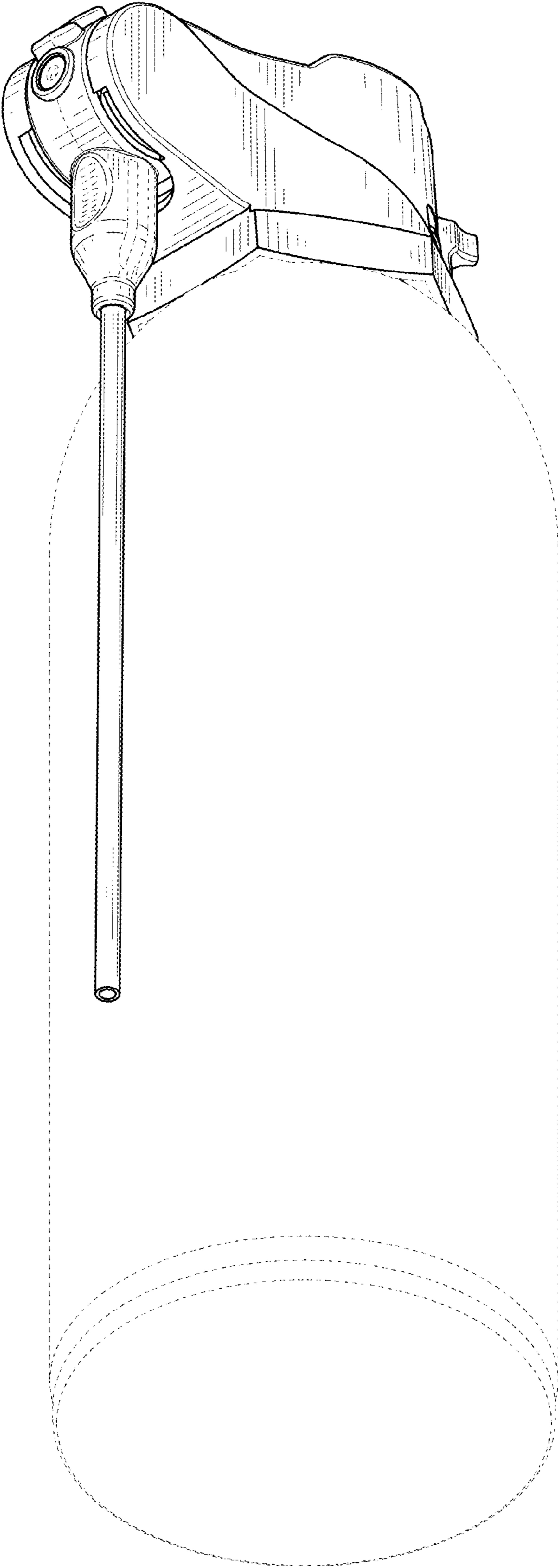
OTHER PUBLICATIONS

YouTube. B'laster ProStraw by BlasterCorpVideos. Sep. 23, 2019.  
[https://www.youtube.com/watch?v=tDtU249-dkw&feature=emb\\_](https://www.youtube.com/watch?v=tDtU249-dkw&feature=emb_logo)  
 logo (Year:2019).

\* cited by examiner



**Fig. 1**



**Fig. 2**



Fig. 3

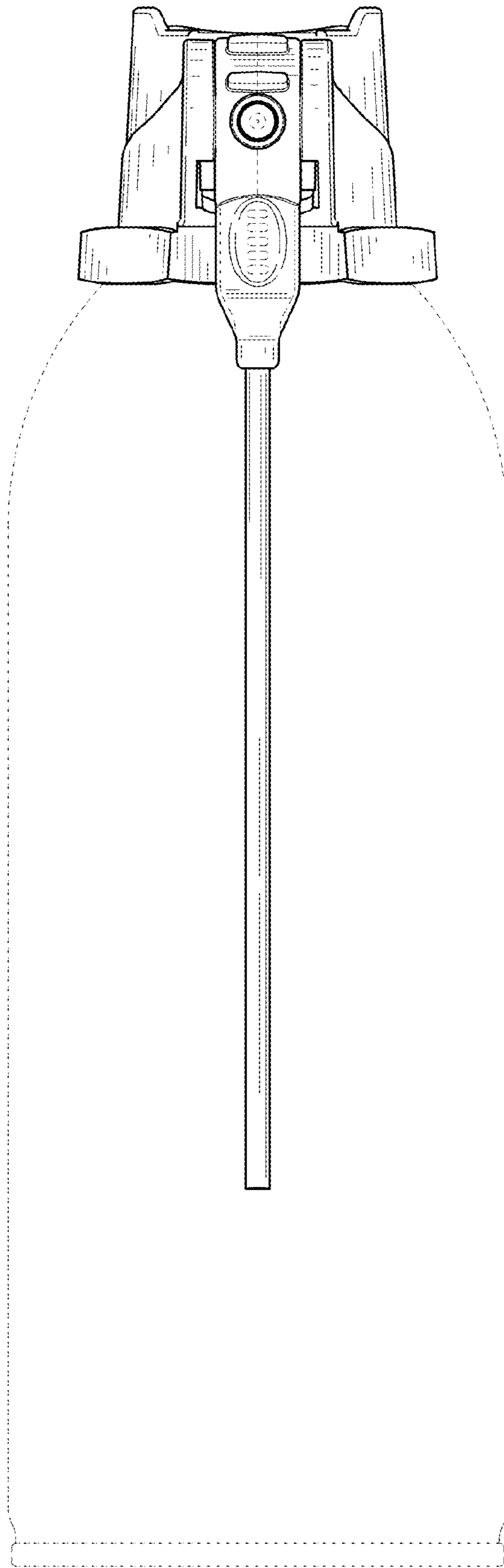


Fig. 4

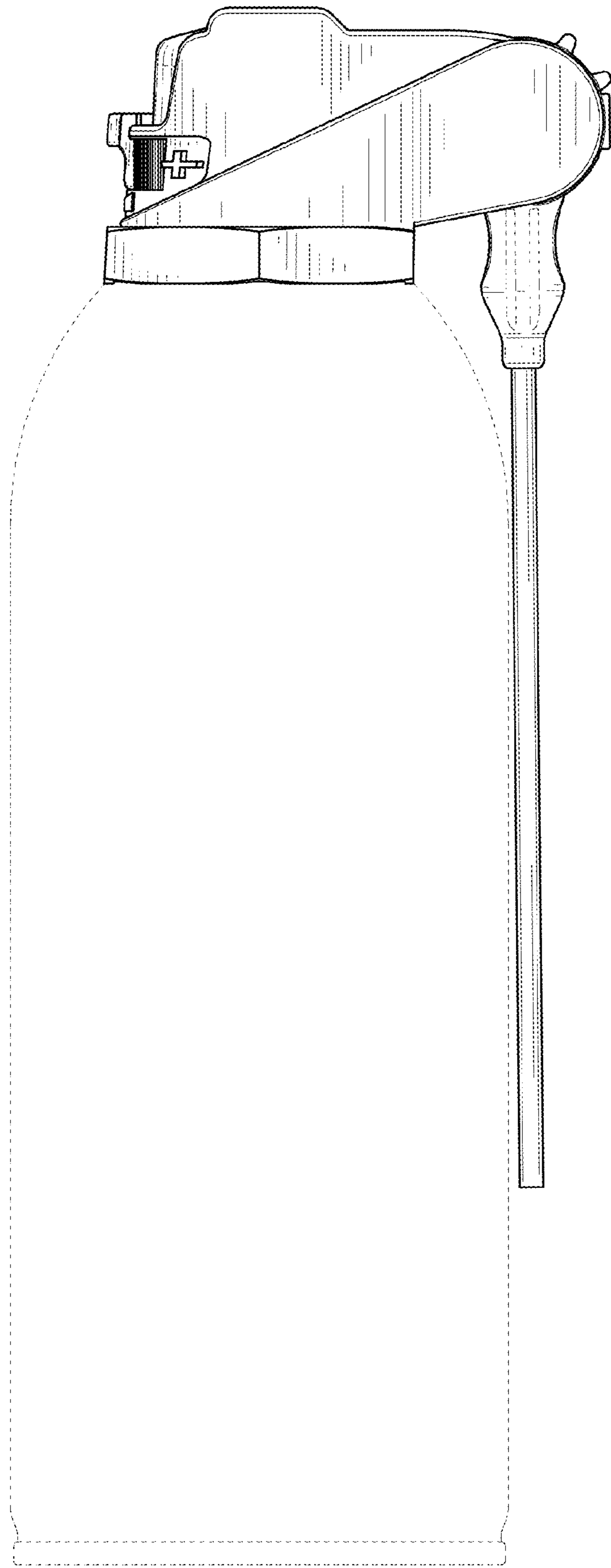
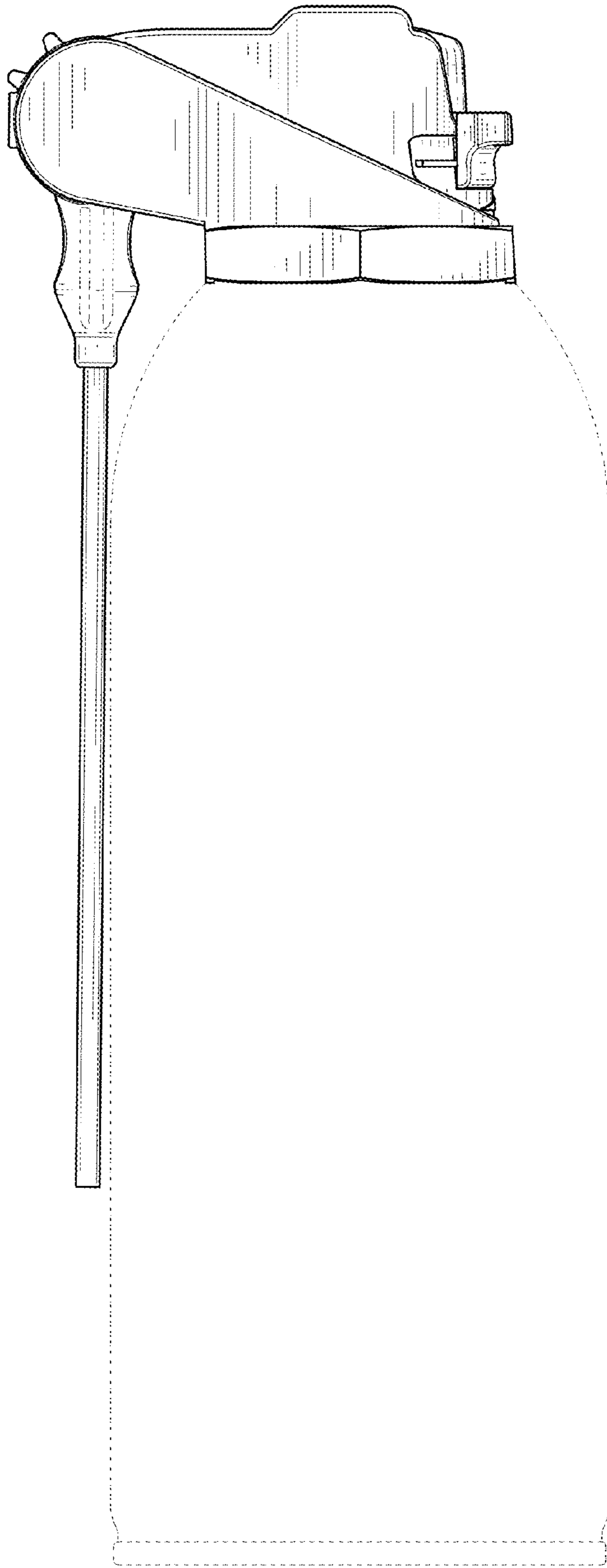
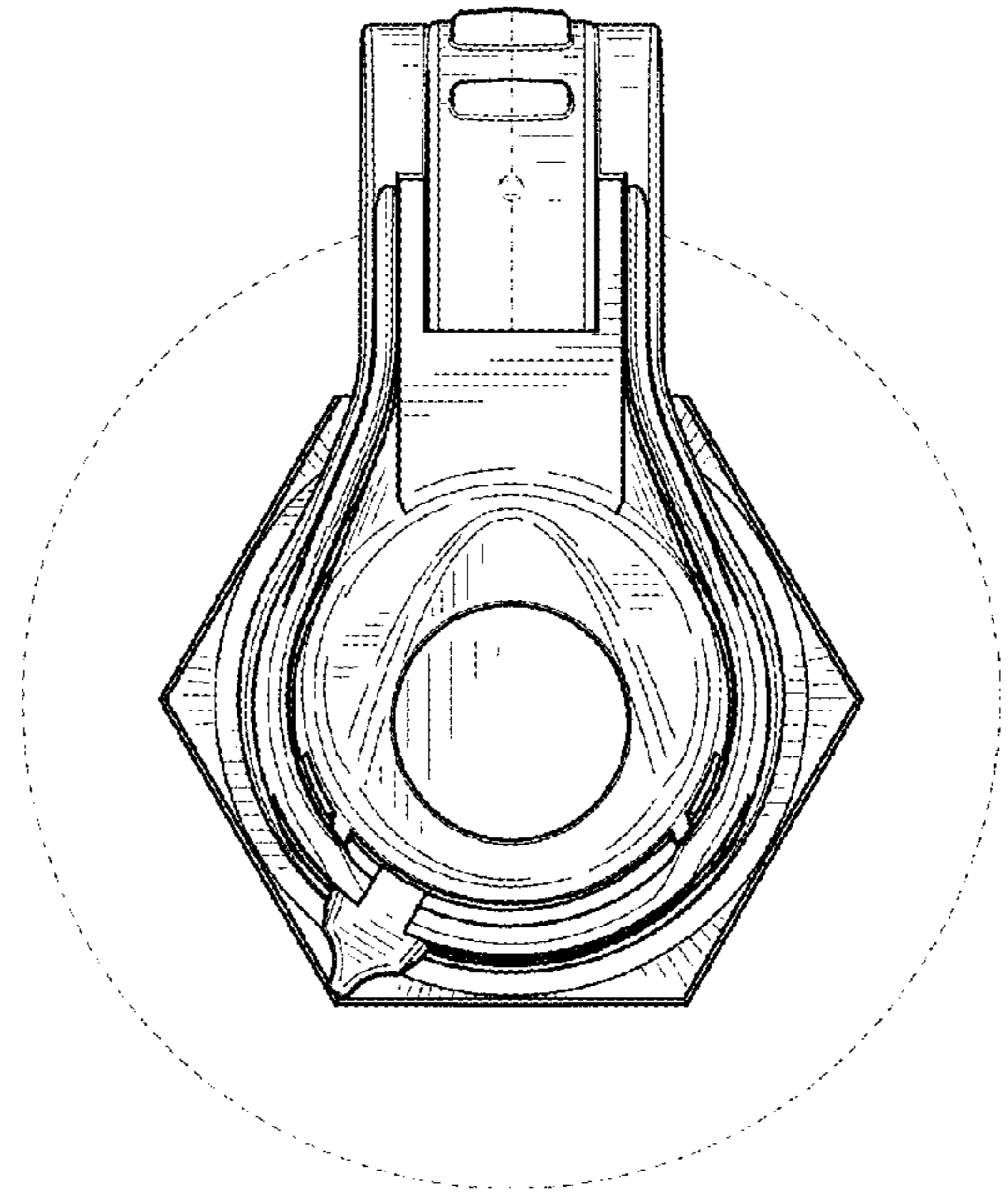


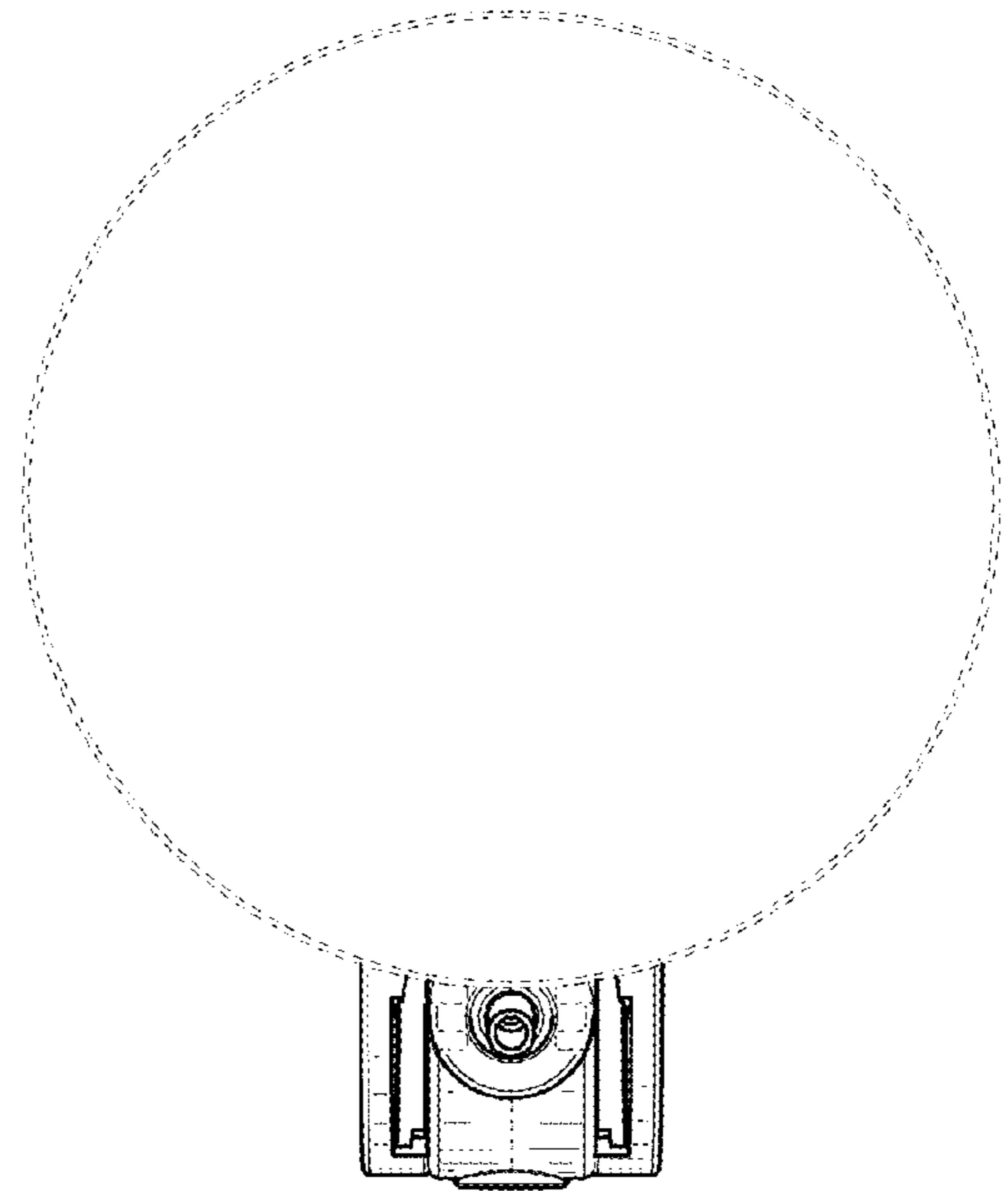
Fig. 5



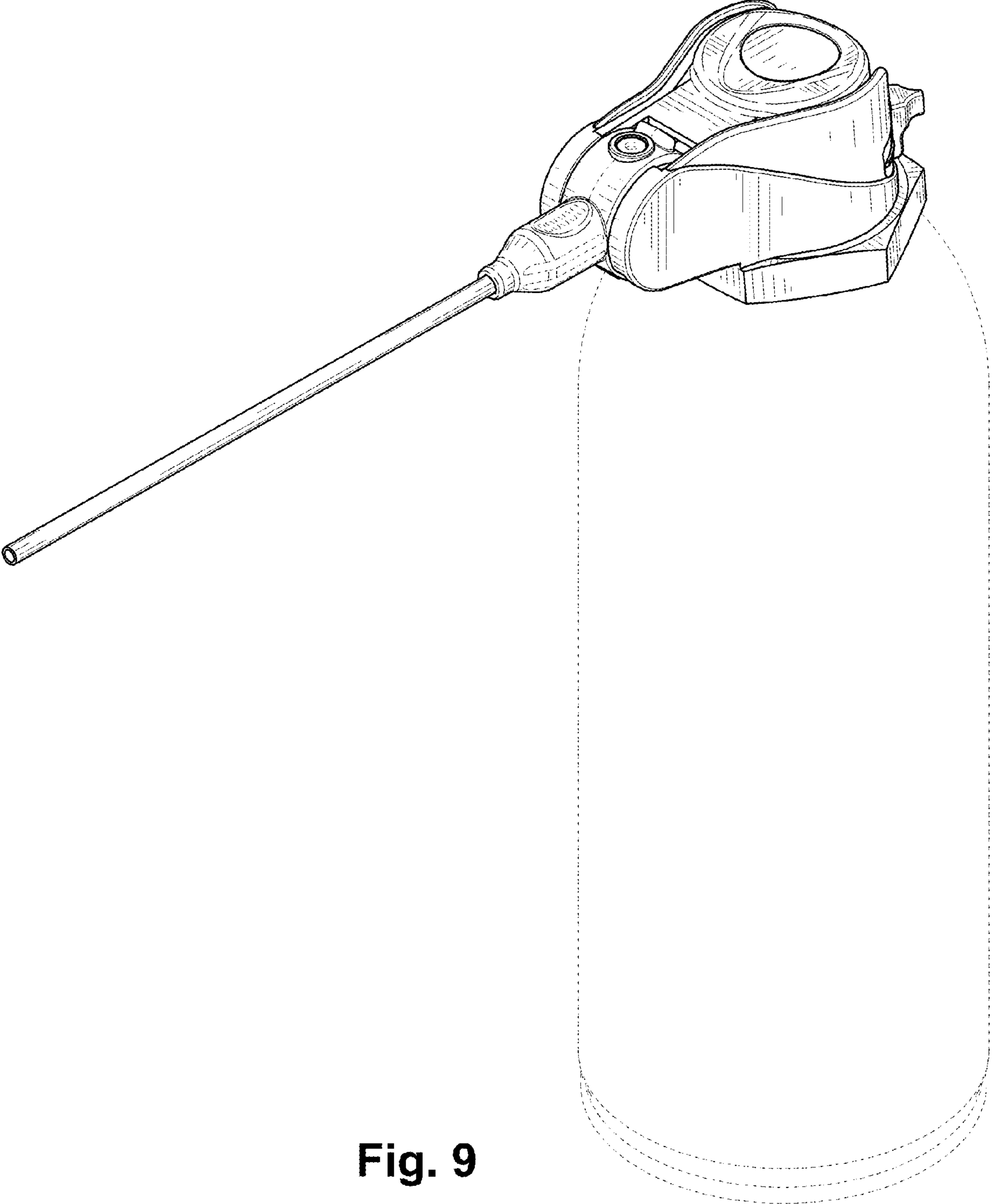
**Fig. 6**



**Fig. 7**



**Fig. 8**



**Fig. 9**