



US00D988129S

(12) **United States Design Patent**
Jang et al.

(10) **Patent No.:** **US D988,129 S**
(45) **Date of Patent:** **** Jun. 6, 2023**

(54) **SPRAY CAP FOR AEROSOL CONTAINER**

(71) Applicant: **SEUNG IL Corporation**, Cheonan-si (KR)

(72) Inventors: **Ha Jin Jang**, Incheon (KR); **Chang Hee Koh**, Incheon (KR); **Ki Hong Lee**, Incheon (KR); **Hyo Bin Kim**, Incheon (KR); **Tae Gyu Lim**, Incheon (KR)

(73) Assignee: **SEUNG IL CORPORATION**, Cheonan-si (KR)

(**) Term: **15 Years**

(21) Appl. No.: **29/725,885**

(22) Filed: **Feb. 27, 2020**

(30) **Foreign Application Priority Data**

Sep. 16, 2019 (KR) 30-2019-0044200

(51) **LOC (14) Cl.** **09-07**

(52) **U.S. Cl.**
USPC **D9/448**

(58) **Field of Classification Search**
USPC D3/17, 29; D7/368, 387, 389, 391, D7/392.1, 396.1, 396.2, 396.4, 397, 400, D7/514, 516, 519, 539, 544, 571, 573, D7/578; D9/414, 416, 417, 434, 435, D9/436, 439, 440, 441, 443, 445, 447, D9/448, 451, 452, 453, 454, 601, 682, D9/685, 686, 688, 690, 695, 707, 708, D9/709, 723, 724, 727; D23/206, 208, D23/209, 213, 223, 226, 259, 260, 261; D24/112, 121, 127, 162, 194, 196; D28/4, 76, 79, 80, 81, 82, 84, 85, 87, D28/91.1; D6/542; D11/152
CPC B65D 85/8064; B65D 85/8043; B65D 77/20; B65D 25/48; B65D 2543/00046; B65D 2543/00092; B65D 2585/56; B65D 2585/545; A47J 31/407; A47J 31/04; A47J 31/10; A47J 31/24; A23F 5/24;

B05B 11/0032; B05B 11/0027; B05B 11/3004; B05B 11/3015; B05B 11/306; B05B 11/3064; B05B 11/3059; B65B 29/06; A45D 33/24; A45D 33/26; A45D 33/28; A45D 40/00; A45D 40/20; A45D 40/24; A45D 40/02; A45D 40/06; A45D 40/18; A45D 40/262; A45D 34/00; A45D 34/04; A45D 34/06; A45D 34/041
See application file for complete search history.

(56) **References Cited**

U.S. PATENT DOCUMENTS

D448,291 S * 9/2001 Melhede D9/434
D511,456 S * 11/2005 Forte D9/443
D637,489 S * 5/2011 Petlak D9/434
D638,704 S * 5/2011 Petlak D9/435

(Continued)

Primary Examiner — Catherine S Posthauer

(74) *Attorney, Agent, or Firm* — Ostrolenk Faber LLP

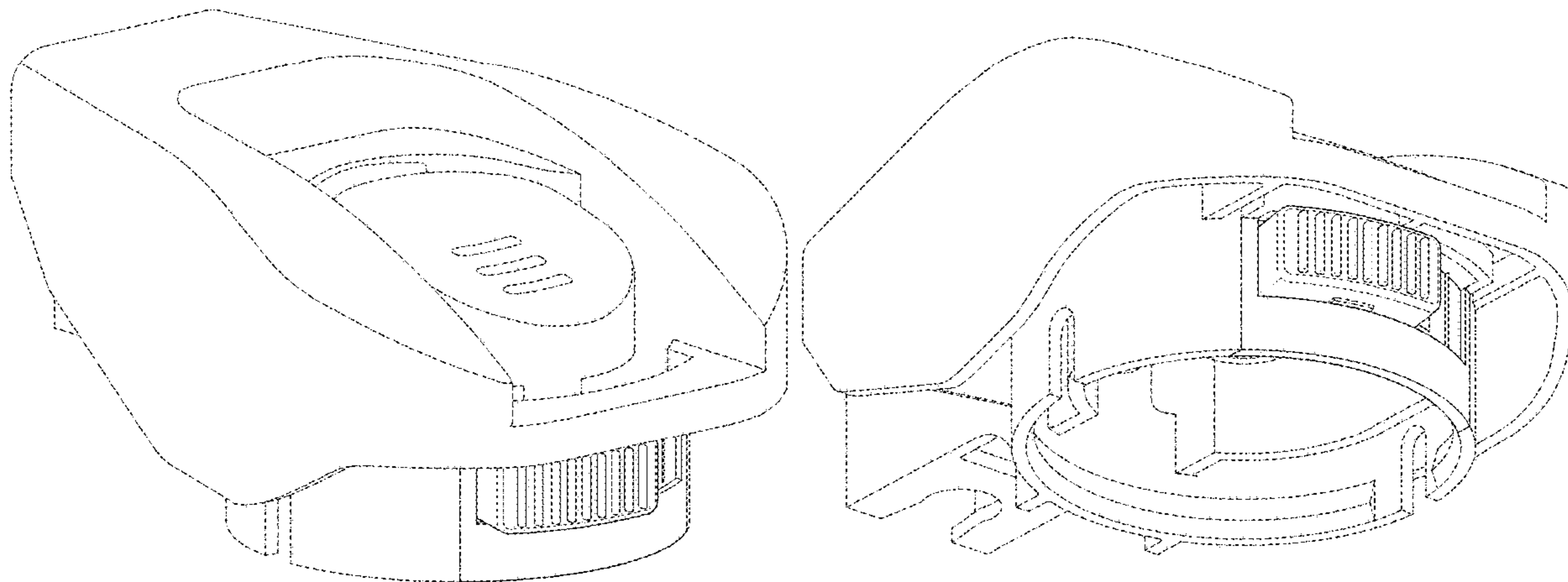
(57) **CLAIM**

The ornamental design for a spray cap for aerosol container, as shown and described.

DESCRIPTION

FIG. 1 is a perspective view of a spray cap for aerosol container showing our new design; FIG. 2 is another perspective view thereof; FIG. 3 is a front view thereof; FIG. 4 is a rear view thereof; FIG. 5 is a left side view thereof; FIG. 6 is a right side view thereof; FIG. 7 is a top view thereof; and, FIG. 8 is a bottom view thereof.
The evenly broken lines represent parts of the article that form no part of the claimed design. The dot-dash line represents the boundaries of the claim and form no part thereof.

1 Claim, 8 Drawing Sheets



(56)

References Cited

U.S. PATENT DOCUMENTS

D776,535 S * 1/2017 McCoy B65D 1/02
D9/434
9,884,706 B1 * 2/2018 Skillin B65D 47/18
D826,045 S * 8/2018 Pudselykke B65D 43/0256
D9/435
D830,522 S * 10/2018 Di Liberto D23/259
D835,990 S * 12/2018 Tobin D9/447
D839,732 S * 2/2019 Tobin D9/447
D896,570 S * 9/2020 Berroa García D7/392.1
D941,148 S * 1/2022 Graux D9/453
D941,149 S * 1/2022 Graux D9/453
2009/0283492 A1 * 11/2009 Molinaro G06F 40/44
215/256
2015/0129531 A1 * 5/2015 Gatto B65D 83/06
215/201

* cited by examiner

FIG. 1

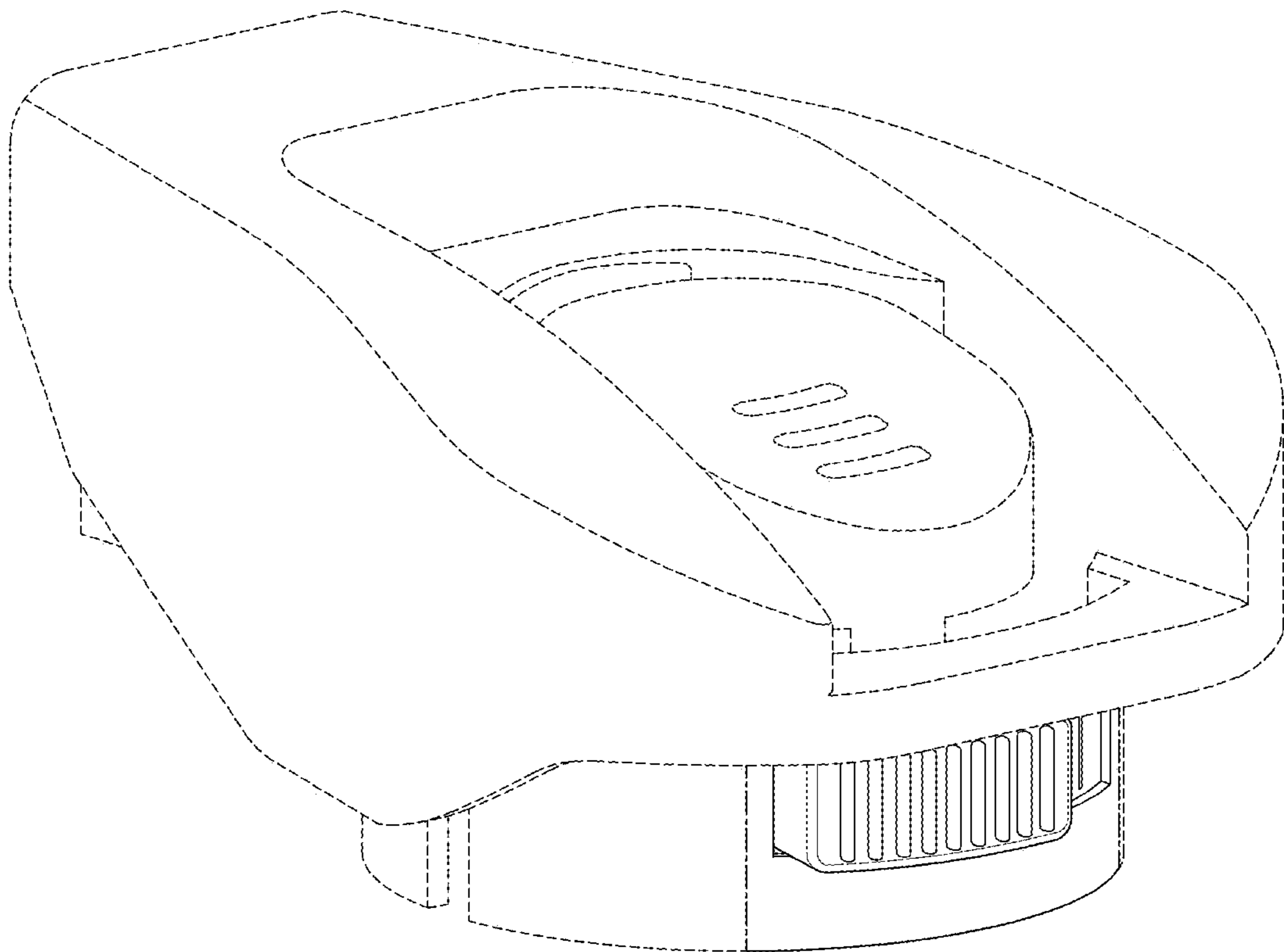


FIG. 2

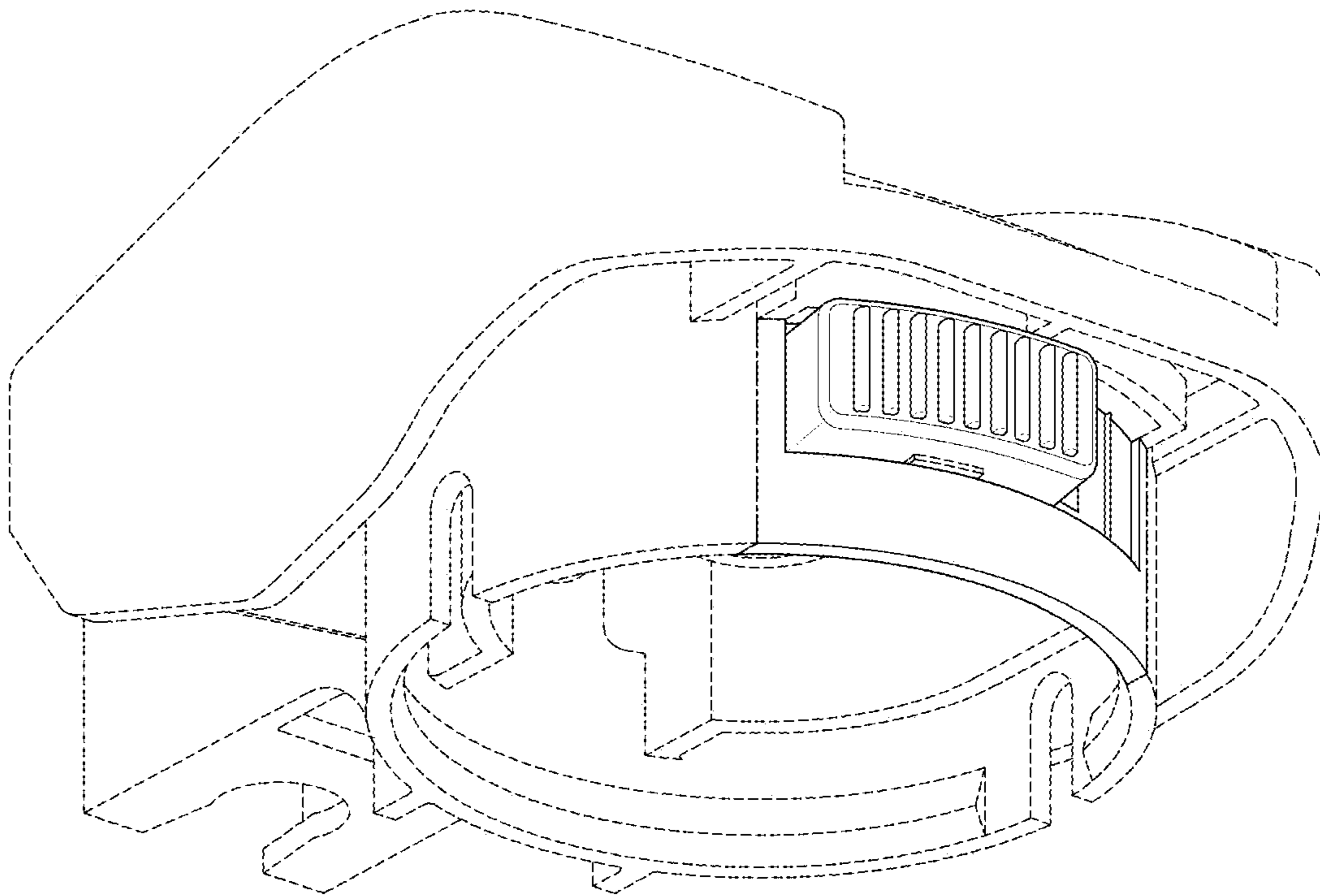


FIG. 3

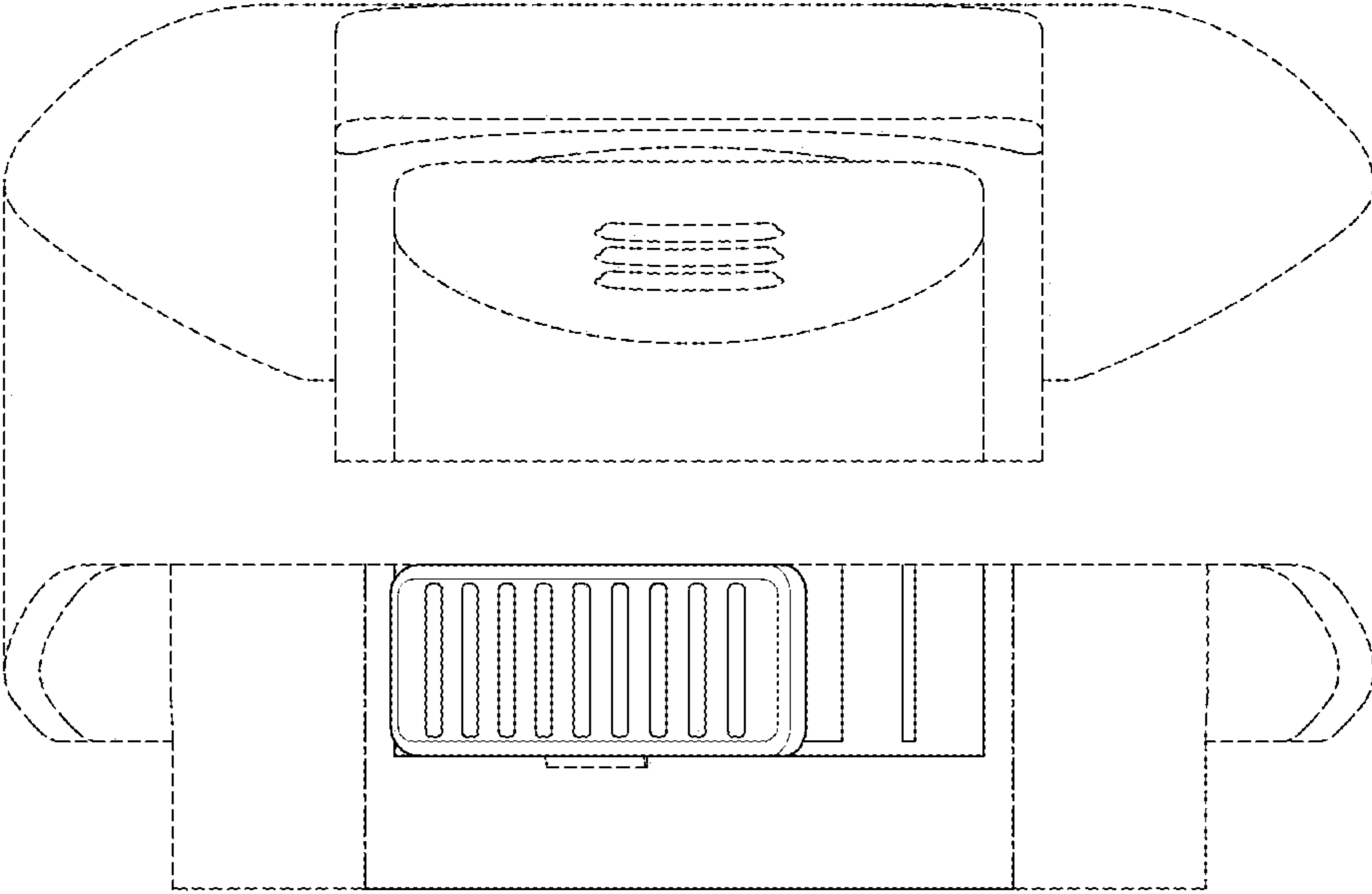


FIG. 4

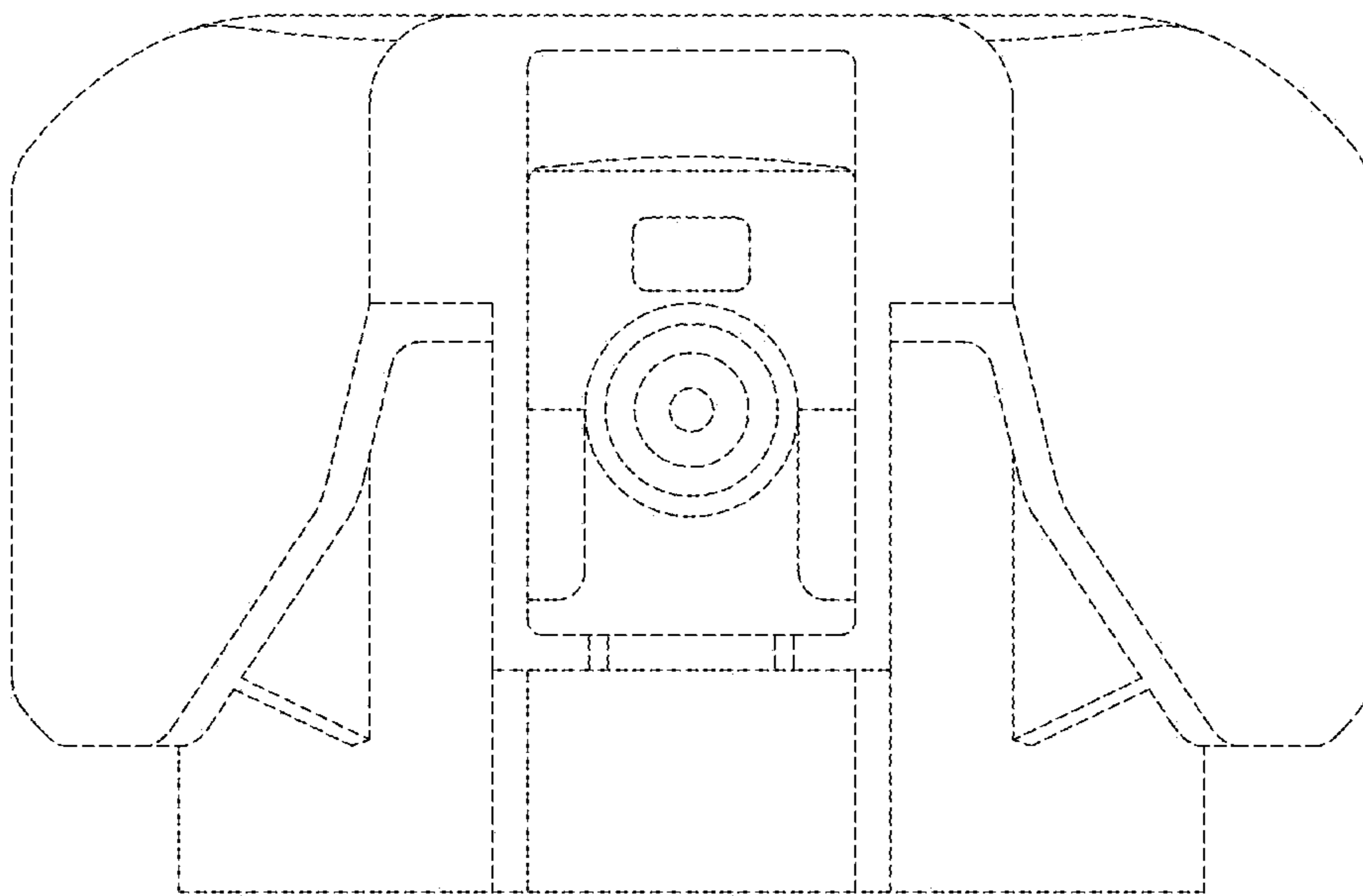


FIG. 5

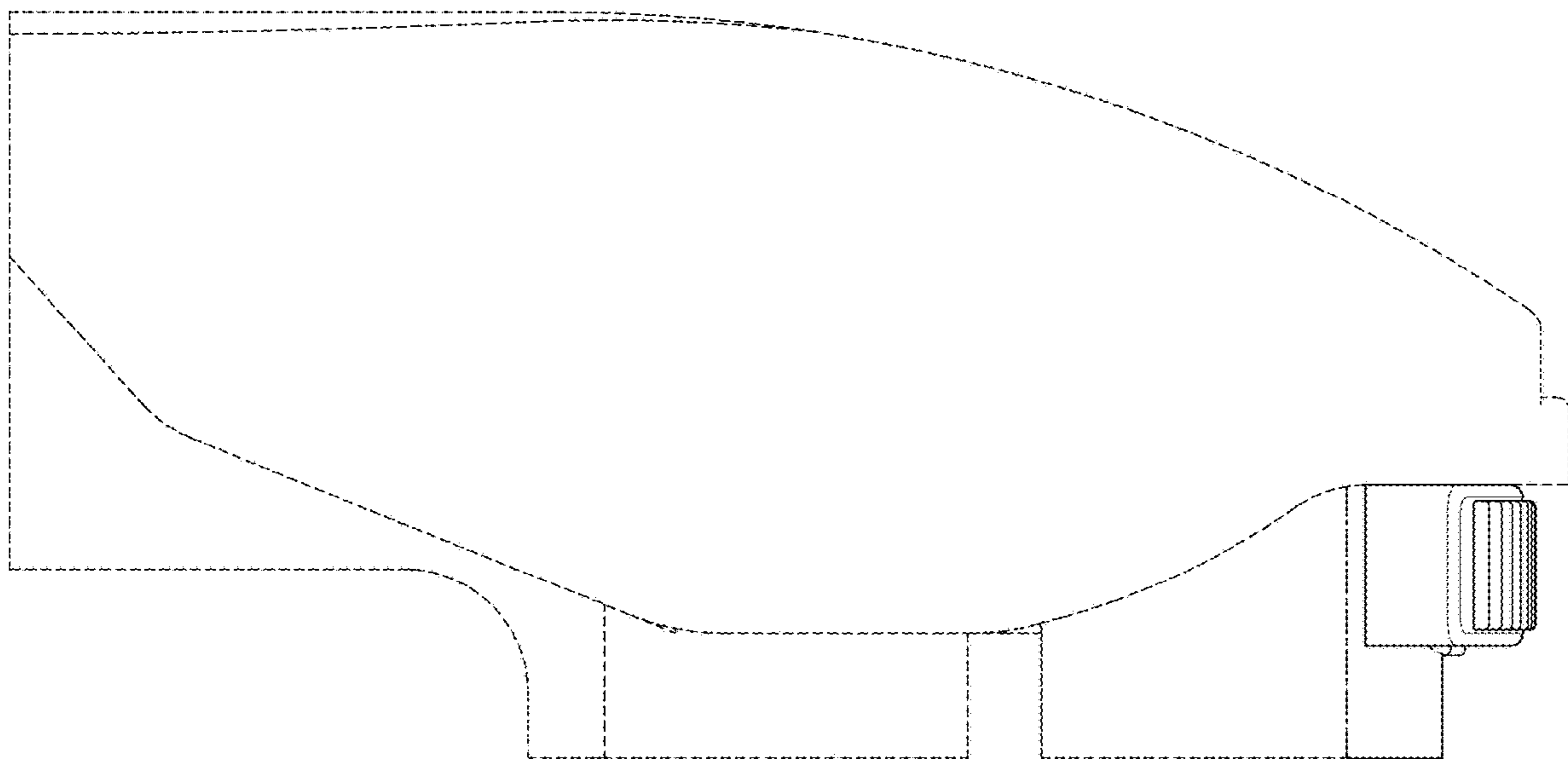


FIG. 6

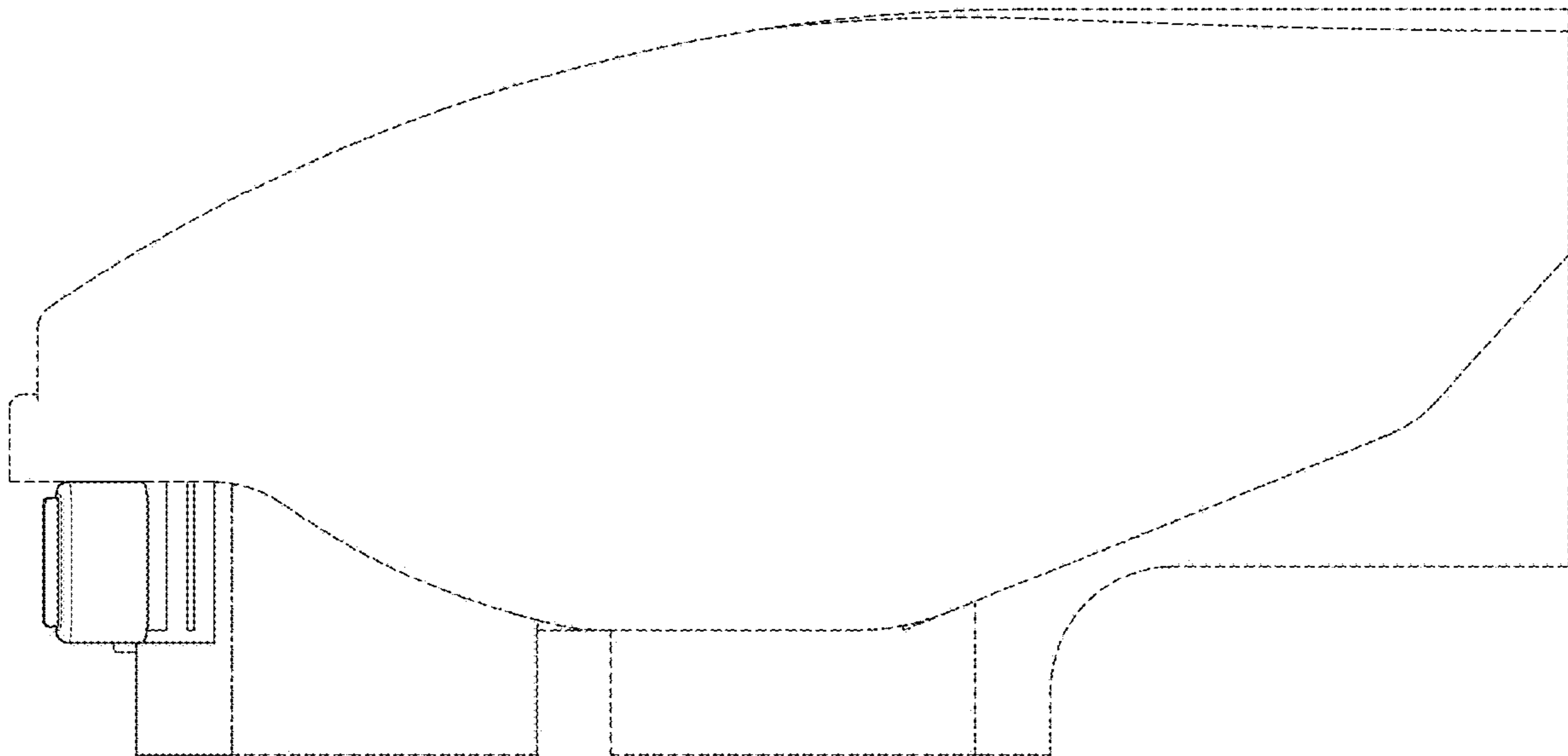


FIG. 7

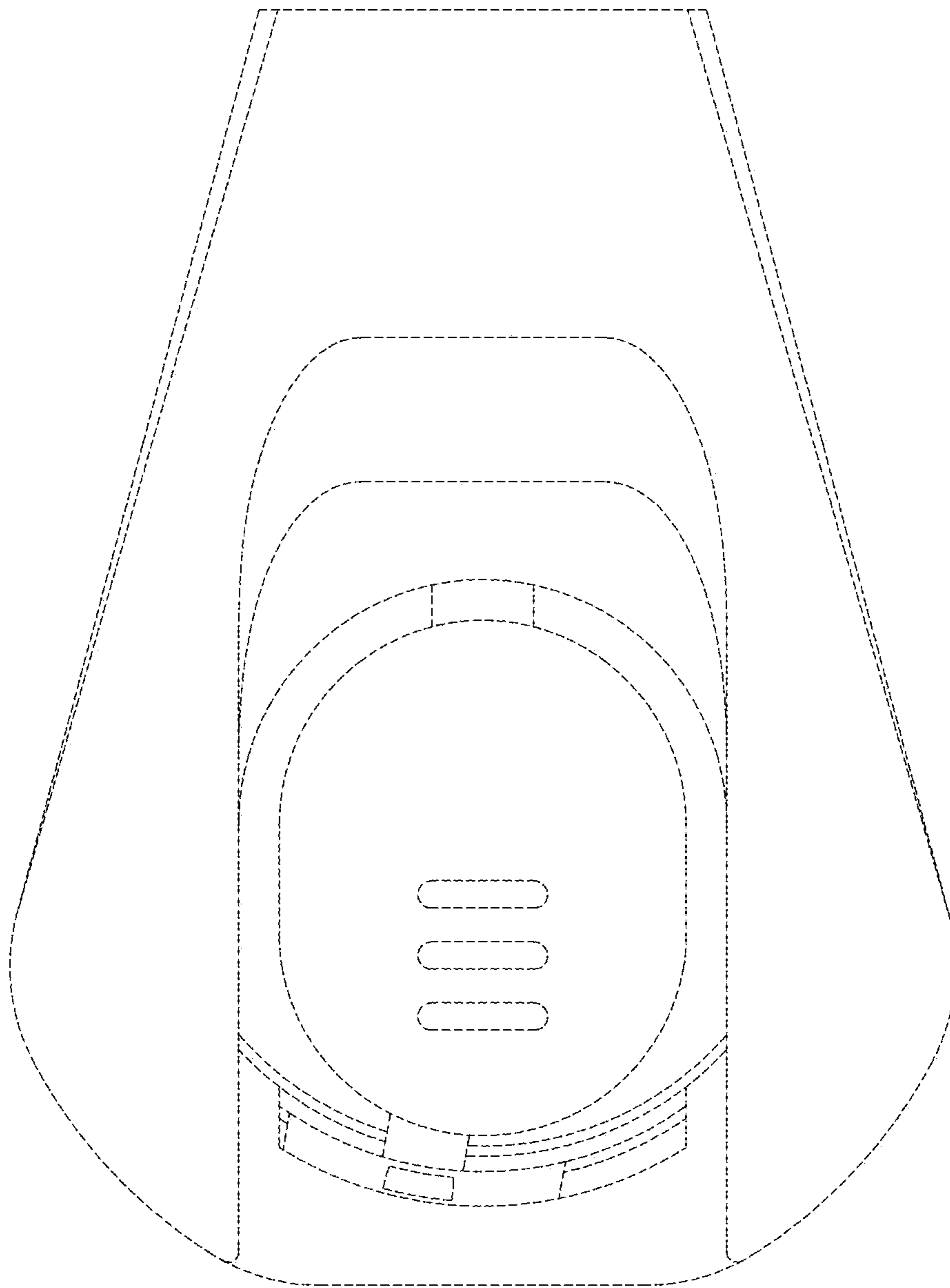


FIG. 8

