



US00D988128S

(12) **United States Design Patent**
Gutow et al.

(10) **Patent No.:** **US D988,128 S**
(45) **Date of Patent:** **** Jun. 6, 2023**

- (54) **DISPENSING CAP**
- (71) Applicant: **Legacy Shave LLC**, Royal Oak, MI (US)
- (72) Inventors: **David T. Gutow**, Royal Oak, MI (US);
Michael W. Gutow, St. Clair Shores, MI (US)
- (73) Assignee: **Legacy Shave LLC**, Royal Oak, MI (US)
- (**) Term: **15 Years**
- (21) Appl. No.: **29/699,584**
- (22) Filed: **Jul. 26, 2019**
- (51) **LOC (14) Cl.** **09-07**
- (52) **U.S. Cl.**
USPC **D9/447**; D9/448; D4/116
- (58) **Field of Classification Search**
USPC D9/695, 707, 708, 682, 685, 686, 523,
D9/535, 435, 436, 440, 447, 448;
D6/542, 543; D7/392, 398; D28/91.1;
D4/114, 116
CPC ... A46B 11/0006; A46B 11/08; B65D 83/285;
B65D 83/72; B65D 51/2864; B65B
11/0006; B65B 11/08; B05B 11/047;
B05B 11/0072; B05B 11/048
See application file for complete search history.

- 3,032,803 A * 5/1962 Walshauer B65D 83/285
604/289
- D364,940 S * 12/1995 Shurtleff D28/48
- D386,855 S * 11/1997 Koptis D32/45
- D398,235 S * 9/1998 Koptis D32/45
- D433,235 S * 11/2000 Koptis D4/114
- D586,954 S * 2/2009 Micinilio D28/47
- D604,905 S * 11/2009 Psimadas D28/48

(Continued)

OTHER PUBLICATIONS

Legacy Shave Evolution Brush: Site Visited (Dec. 12, 2022).
Available from URL: <https://legacyshave.com/product/legacy-shaves-evolution-brush-black/>.*

Primary Examiner — Catherine S Posthauer
(74) *Attorney, Agent, or Firm* — Quinn IP Law

(57) **CLAIM**

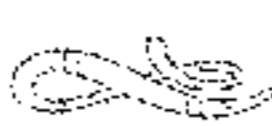
The ornamental design for a dispensing cap, as shown and described.

DESCRIPTION

FIG. 1 is a front perspective view of a dispensing cap showing the claimed design;
 FIG. 2 is a front elevation view thereof;
 FIG. 3 is a rear elevation view thereof;
 FIG. 4 is a right side view thereof;
 FIG. 5 is a left side view thereof;
 FIG. 6 is a top view thereof;
 FIG. 7 is a bottom view thereof; and,
 FIG. 8 is a rear perspective view thereof.

The broken lines in the figures show portions of the dispensing cap and environment that form no part of the claimed design.

The trademark “L” logos located on the dispensing cap are a trademark of Legacy Shave, LLC.

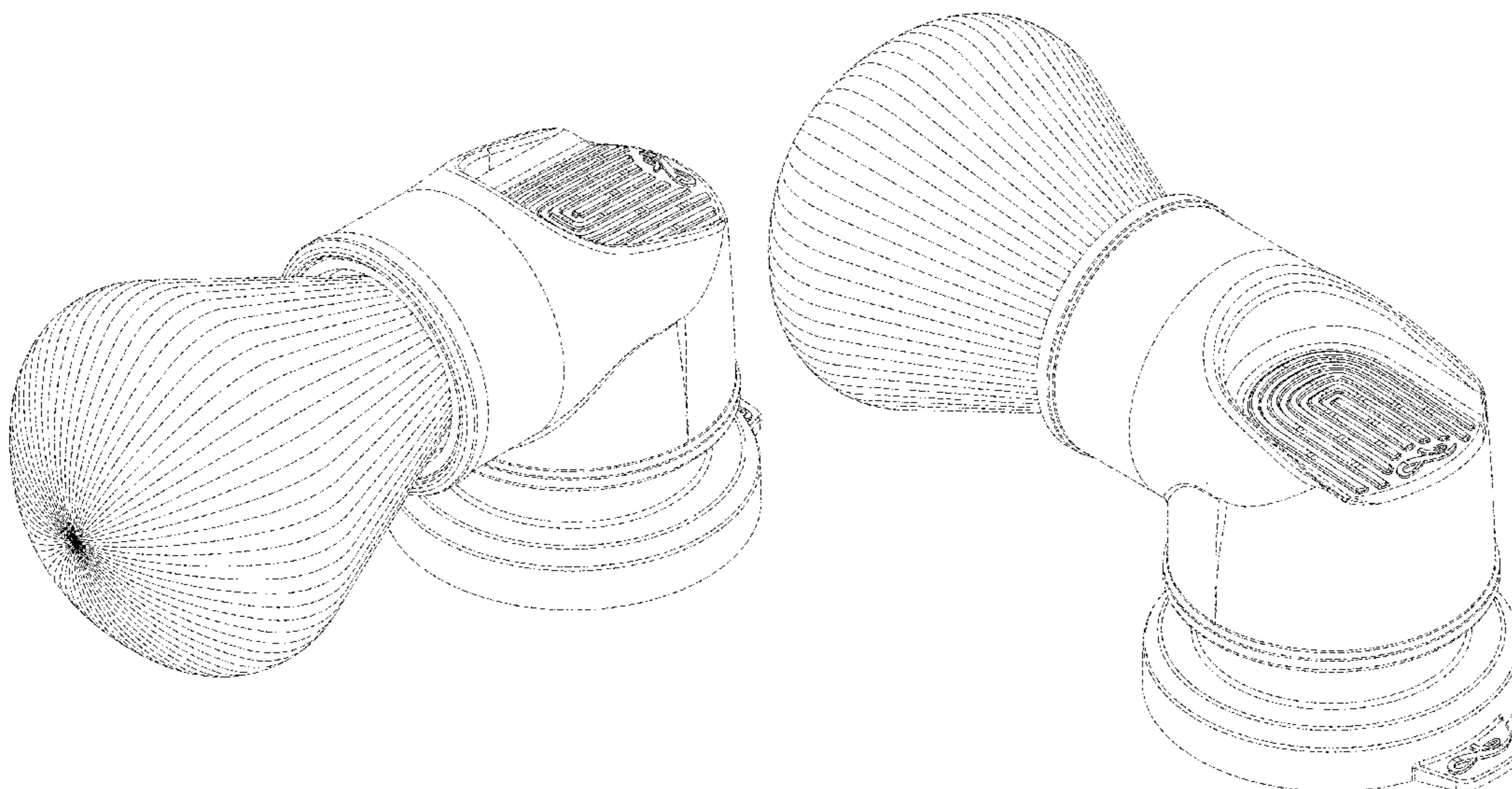
The  logo shown in the drawings, and forming part of the claim, is a registered trademark of Legacy Shave LLC.

(56) **References Cited**

U.S. PATENT DOCUMENTS

- 613,321 A * 11/1898 Schrader B05B 11/06
D28/91.1
- D96,928 S * 9/1935 Mills D28/91.1
- D102,014 S * 11/1936 Vuilleminot D28/91.1
- D130,938 S * 12/1941 Hoch D28/91.1
- D171,668 S * 3/1954 Spilo D4/114
- 2,756,908 A * 7/1956 Miller B65D 83/285
D4/114
- D190,554 S * 6/1961 Madl D6/543

1 Claim, 8 Drawing Sheets



(56)

References Cited

U.S. PATENT DOCUMENTS

D607,149 S * 12/2009 Psimadas D28/47
D615,705 S * 5/2010 Ramm D28/47
D674,551 S * 1/2013 Barrow D28/48
D750,324 S * 2/2016 Bae D28/48
D784,704 S 4/2017 Gutow et al.
D787,830 S * 5/2017 Jack D32/45
D787,831 S * 5/2017 Jack D32/45
9,914,581 B2 3/2018 Gutow et al.
D957,137 S * 7/2022 Gooden D32/45
2016/0362243 A1 * 12/2016 Gutow A46B 11/0006

* cited by examiner

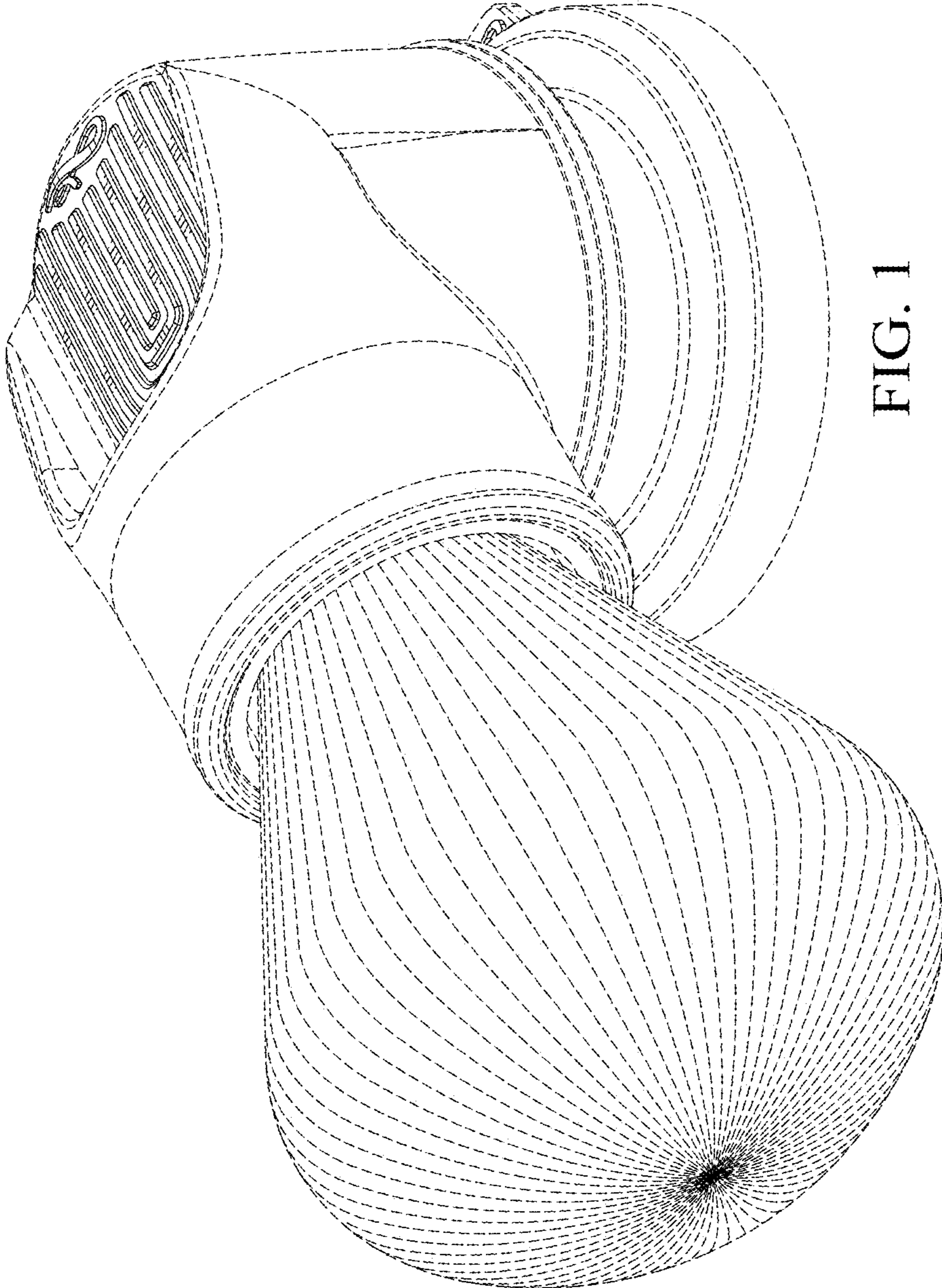


FIG. 1

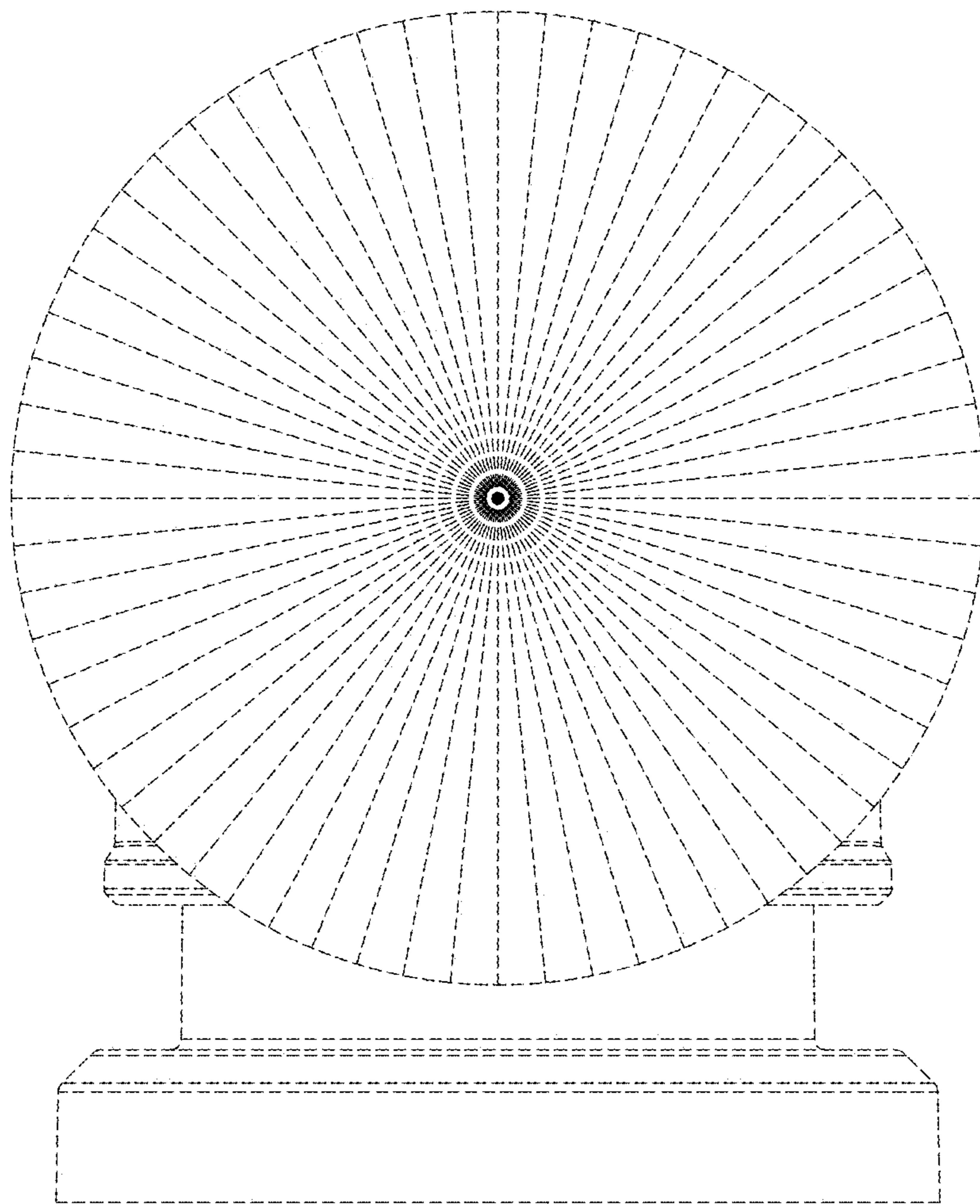


FIG. 2

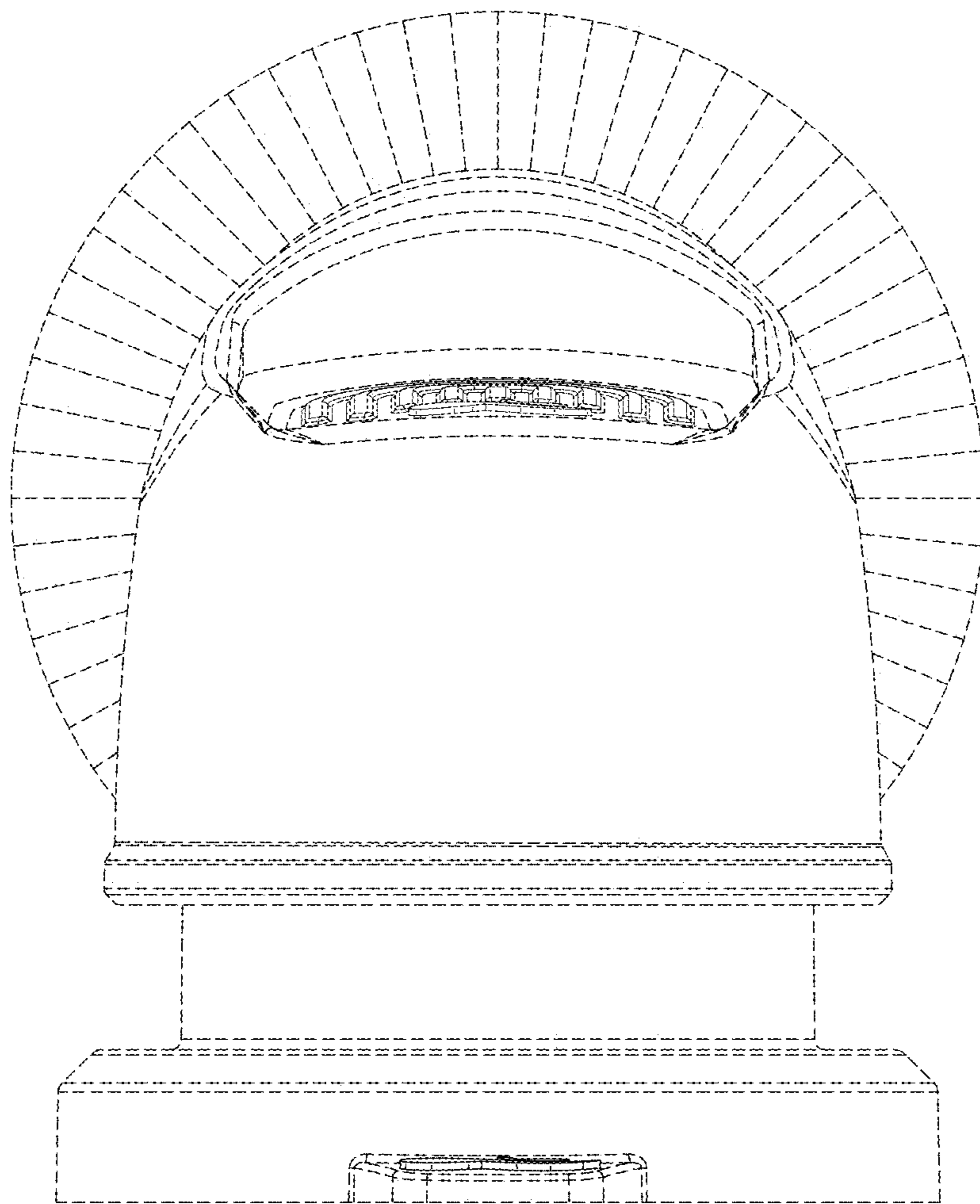


FIG. 3

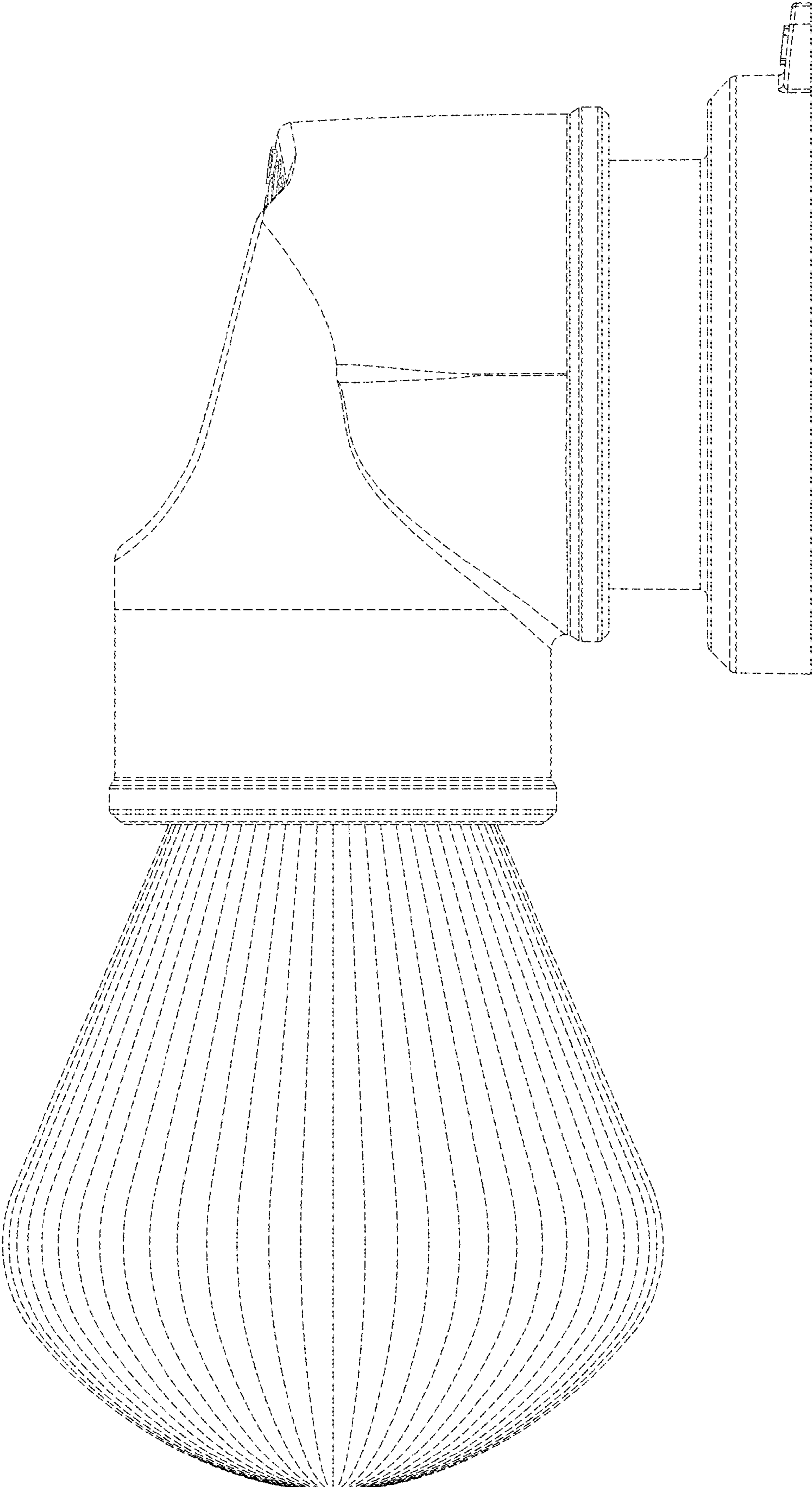


FIG. 4

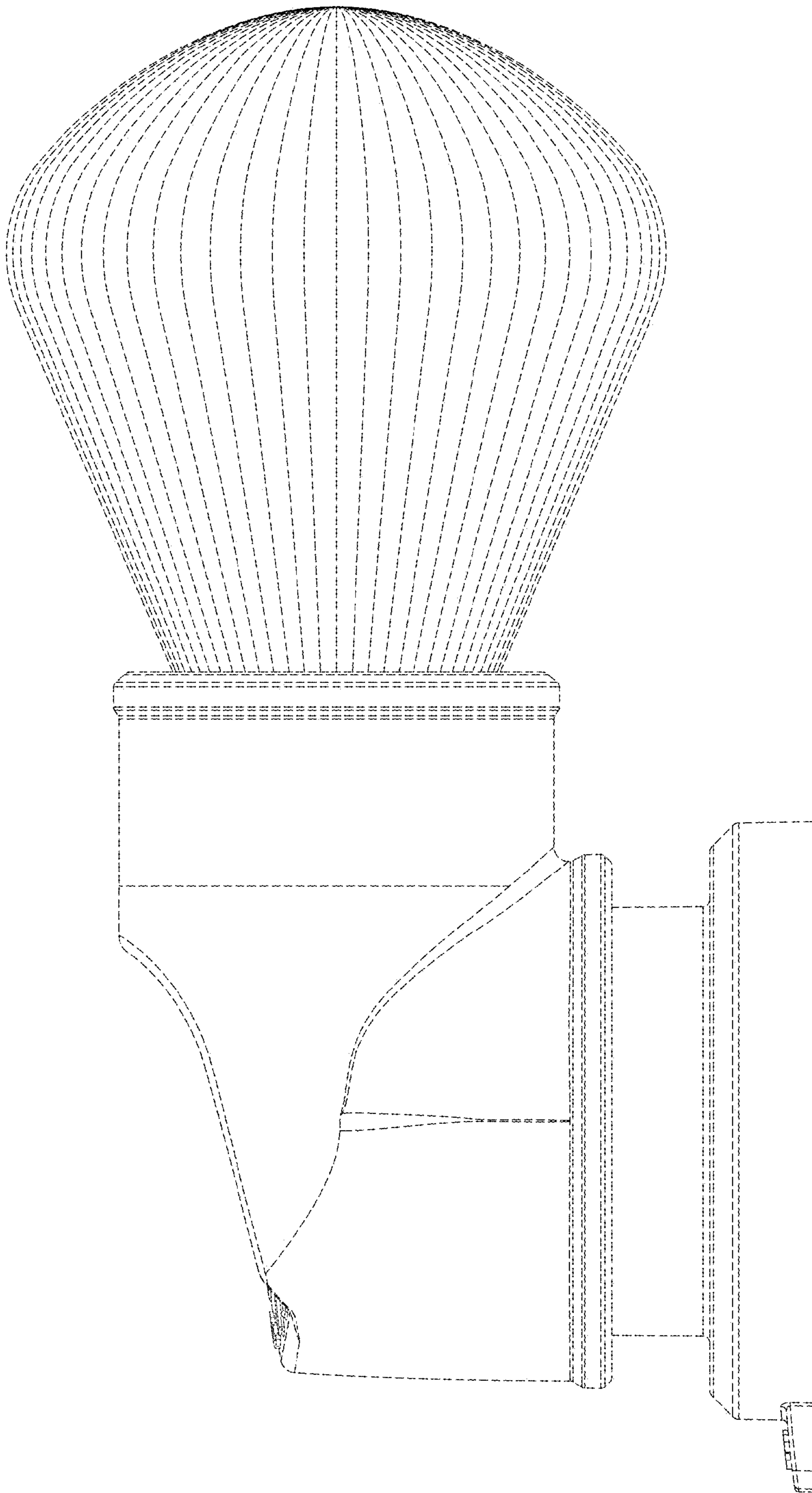


FIG. 5

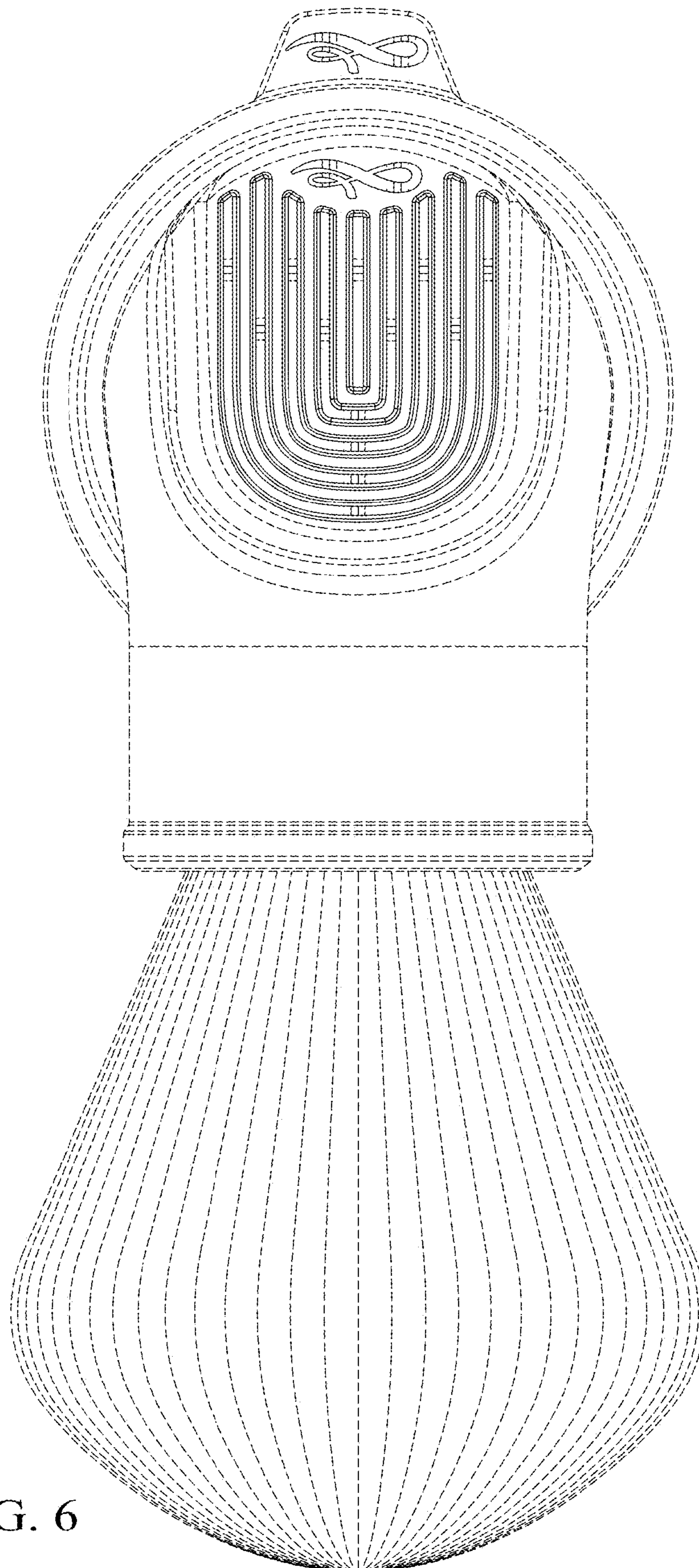


FIG. 6

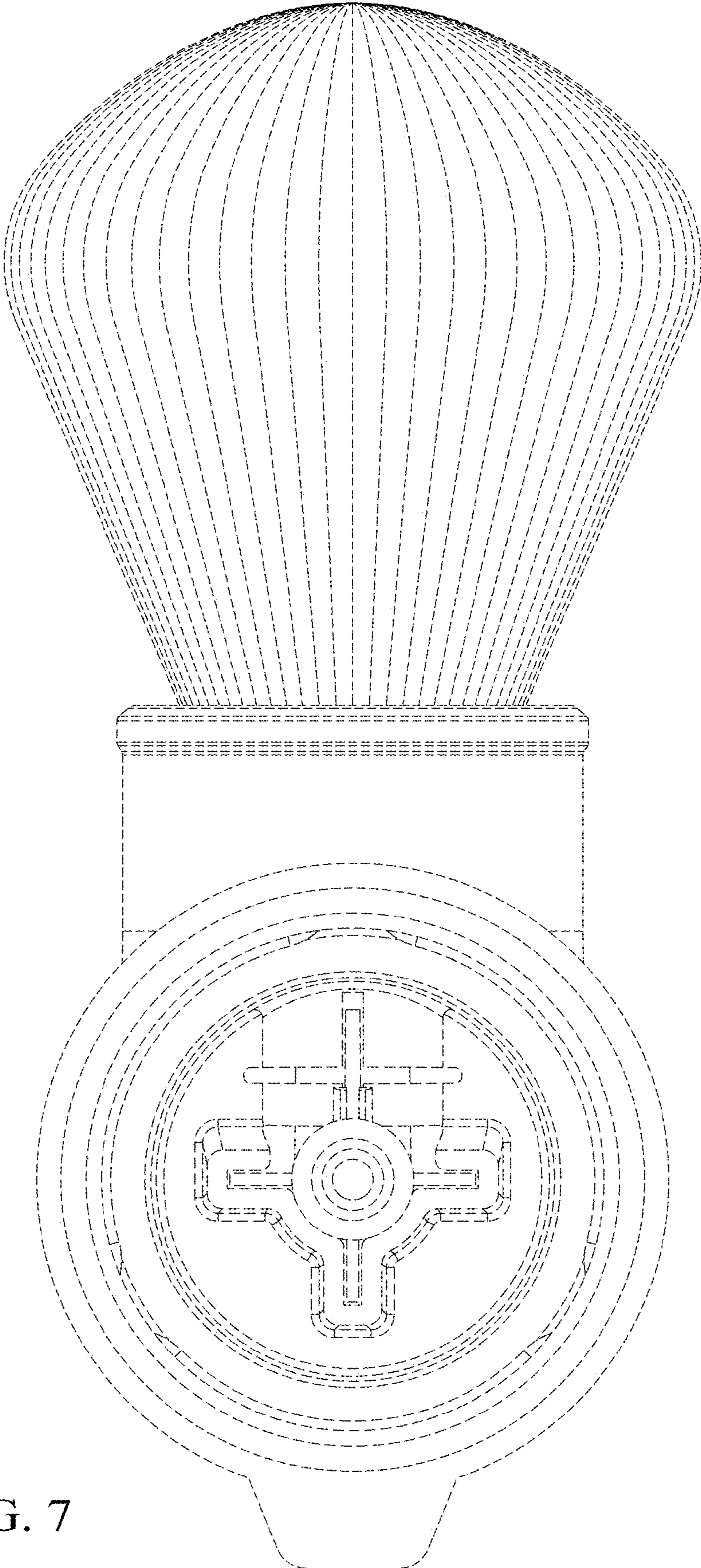


FIG. 7

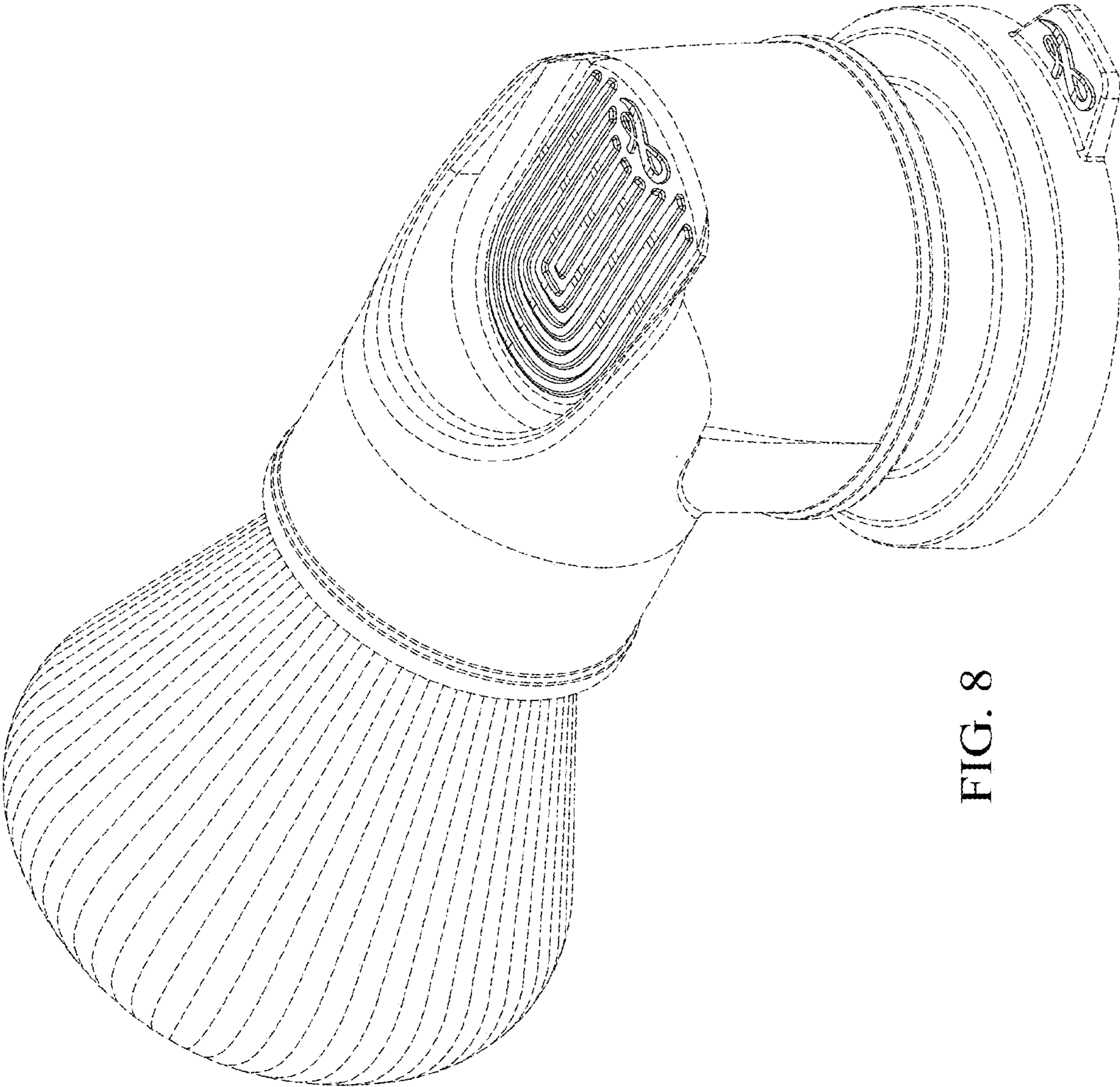


FIG. 8