



US00D988127S

(12) **United States Design Patent** (10) **Patent No.:** **US D988,127 S**  
**Chester et al.** (45) **Date of Patent:** **\*\* Jun. 6, 2023**

- (54) **SAFETY CAP FOR LABORATORY AND CONSUMABLE CONTAINERS**
- (71) Applicant: **C&S Healthcare Consulting LLC**, Metairie, LA (US)
- (72) Inventors: **Maria Michelle Chester**, Metairie, LA (US); **Steven M. Sands**, Baltimore, MD (US)
- (73) Assignee: **C&S Healthcare LLC**, Metairie, LA (US)
- (\*\*) Term: **15 Years**
- (21) Appl. No.: **29/869,766**
- (22) Filed: **Jan. 9, 2023**

**Related U.S. Application Data**

- (63) Continuation of application No. 17/498,320, filed on Oct. 11, 2021.
- (51) **LOC (14) Cl.** ..... **09-07**
- (52) **U.S. Cl.**  
USPC ..... **D9/435**
- (58) **Field of Classification Search**  
USPC ..... D9/434, 435, 439, 440, 443, 444, 445, D9/447, 449, 453, 454, 503, 504, 505, D9/686; D7/312, 313, 316, 317, 318, D7/321, 392, 396.2, 392.1, 507, 509, 510, D7/511, 523, 605, 608; D6/512, 515  
CPC .. A47G 19/2272; B65D 47/06; B65D 47/106; B65D 47/12; B65D 47/121; B65D 83/40; B65D 83/205; B65D 83/206; B65D 2251/00; B65D 2539/00; B65D 2539/001; B65D 2543/00; B65D 2543/0009; B65D 2543/00018; B65D 2543/00046; B65D 2543/00055; B65D 2585/56; B65D 41/00; B65D 41/38; B65D 41/56; B65D 41/62; B65D 14/0414; B65D 23/104; B65D 51/242; B65D 2251/02; A61J 1/00; A61J 1/1412

See application file for complete search history.

- (56) **References Cited**  
U.S. PATENT DOCUMENTS  
D101,623 S \* 10/1936 Fleisch ..... D9/453  
4,045,069 A 8/1977 Fife  
(Continued)

**FOREIGN PATENT DOCUMENTS**

- CN 302587519 \* 5/2013
- CN 303717616 \* 6/2016
- Primary Examiner* — Andrew Kerr
- Assistant Examiner* — Chariton Alexakis
- (74) *Attorney, Agent, or Firm* — Squire Patent Consulting & IP Law LLC; Brendan E Squire

(57) **CLAIM**

The ornamental design for a safety cap for laboratory and consumable containers, as shown and described.

**DESCRIPTION**

FIG. 1 is a top front perspective view of a safety cap for laboratory and consumable containers in a condition of use, showing our new design;

FIG. 2: is a front elevation view thereof, with the rear elevation view being a mirror image thereof;

FIG. 3: is a right elevation view of the embodiment, with the left elevation view being a mirror image thereof;

FIG. 4: is a top plan view thereof;

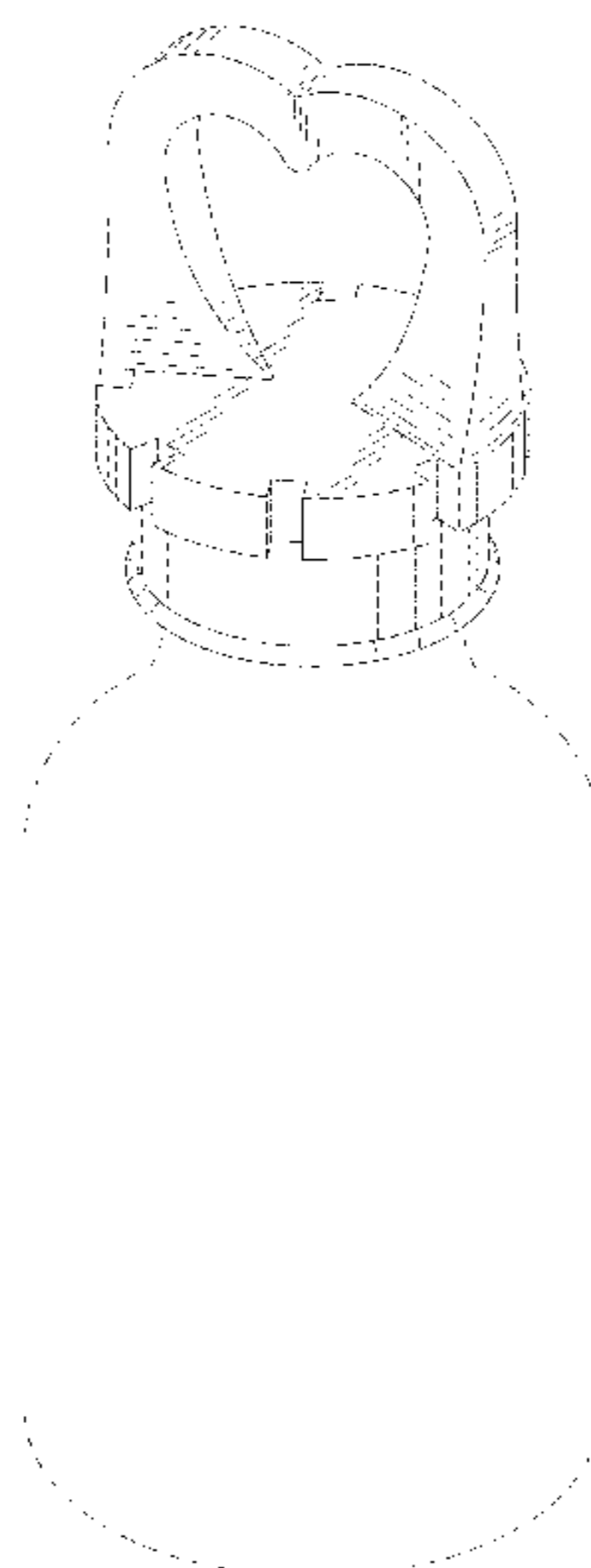
FIG. 5: is a bottom plan view thereof; and,

FIG. 6 is another top front perspective view thereof, in another condition of use.

The broken lines in the drawings depict portions of the safety cap for laboratory and consumable containers that form no part of the claimed design.

The dash-dot-dash lines in the drawings indicate a boundary that forms no part of the claim.

**1 Claim, 4 Drawing Sheets**



(56)

References Cited

U.S. PATENT DOCUMENTS

4,269,332 A 5/1981 Conn  
D280,294 S \* 8/1985 Resnick ..... D9/519  
4,579,237 A 4/1986 Gagnon  
5,114,028 A 5/1992 Ring  
D327,849 S \* 7/1992 Armstrong ..... D9/453  
5,307,956 A 5/1994 Richter et al.  
5,358,129 A \* 10/1994 Watts ..... B65D 50/061  
215/206  
6,270,488 B1 8/2001 Johnson et al.  
6,311,722 B1 11/2001 Gounot et al.  
6,375,021 B1 4/2002 Slenker  
D458,133 S \* 6/2002 Berish ..... D9/443  
D477,224 S \* 7/2003 Hussain ..... D9/453  
D479,800 S \* 9/2003 McRae ..... D9/454  
6,631,744 B1 10/2003 Gerhart et al.  
D485,757 S \* 1/2004 Roth ..... B65D 81/3484  
D9/443  
D541,608 S \* 5/2007 Nichols ..... D8/42  
7,458,458 B2 12/2008 Marco  
D621,257 S \* 8/2010 Gullickson ..... D9/443  
D621,258 S \* 8/2010 Gullickson ..... D9/443  
7,959,044 B1 6/2011 Christian et al.  
8,708,176 B2 4/2014 Andis  
9,260,236 B2 2/2016 Schumacher et al.  
10,252,834 B2 4/2019 Yourist  
10,421,593 B1 9/2019 Litten  
2004/0217139 A1 \* 11/2004 Roth ..... B65D 47/0842  
215/237  
2010/0294773 A1 \* 11/2010 Schwartz ..... B65D 81/366  
220/315  
2019/0276294 A1 9/2019 Naukam

\* cited by examiner

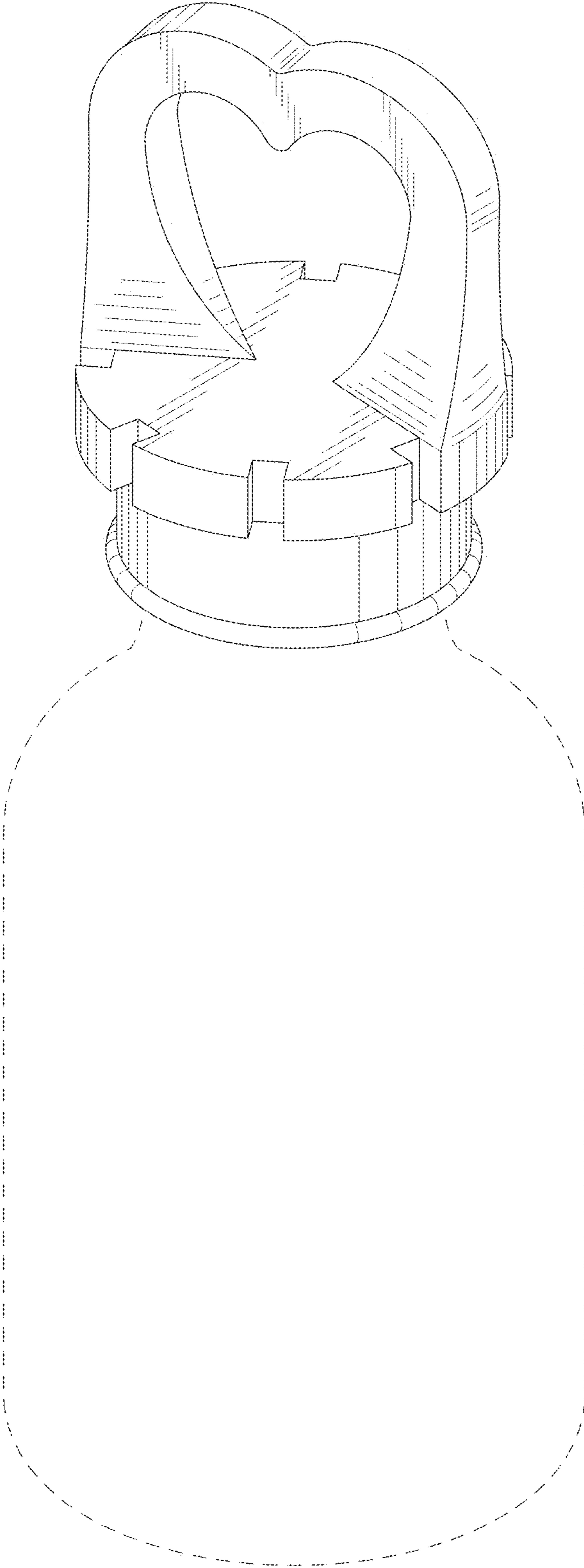


FIG. 1

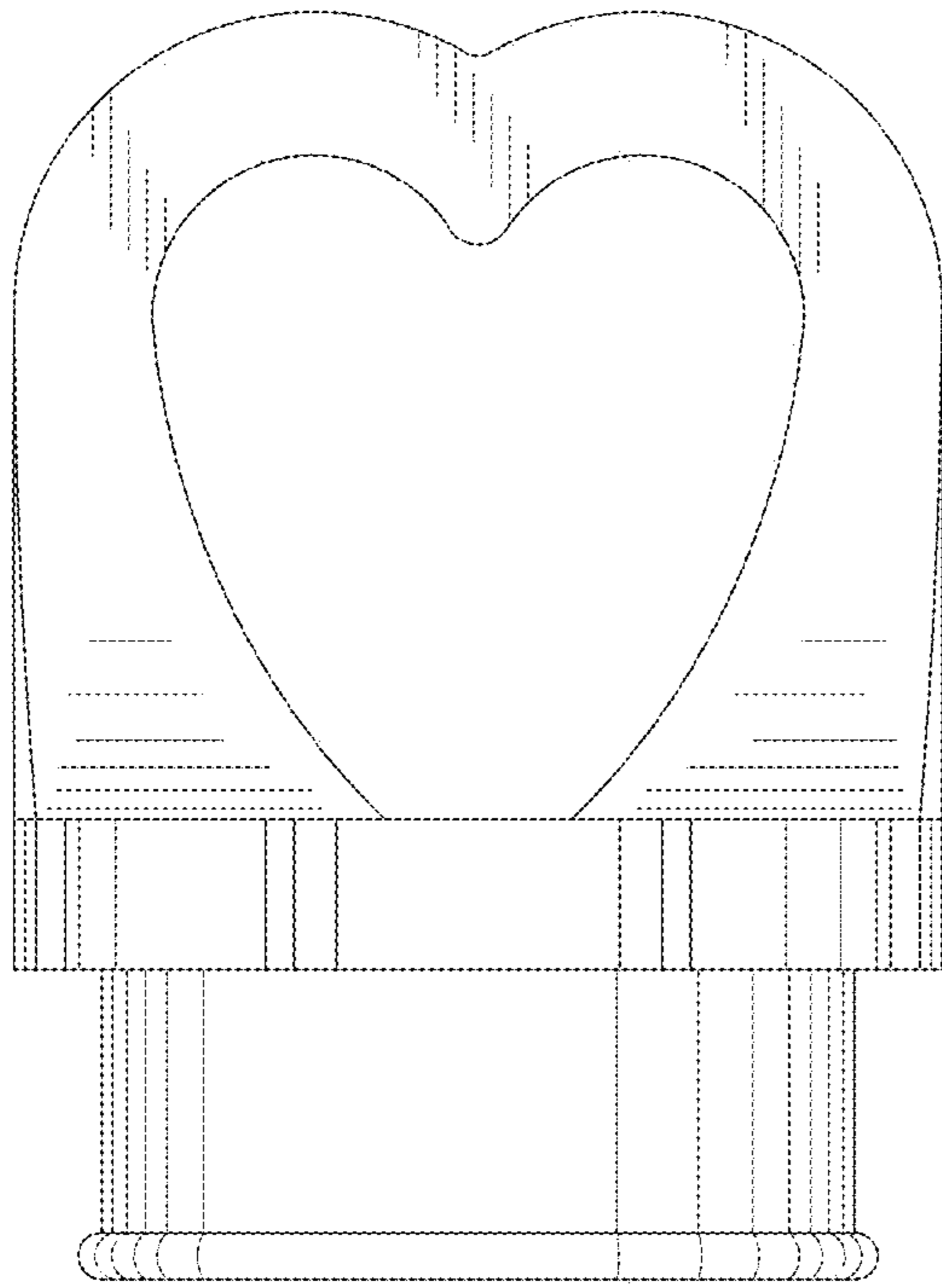


FIG. 2

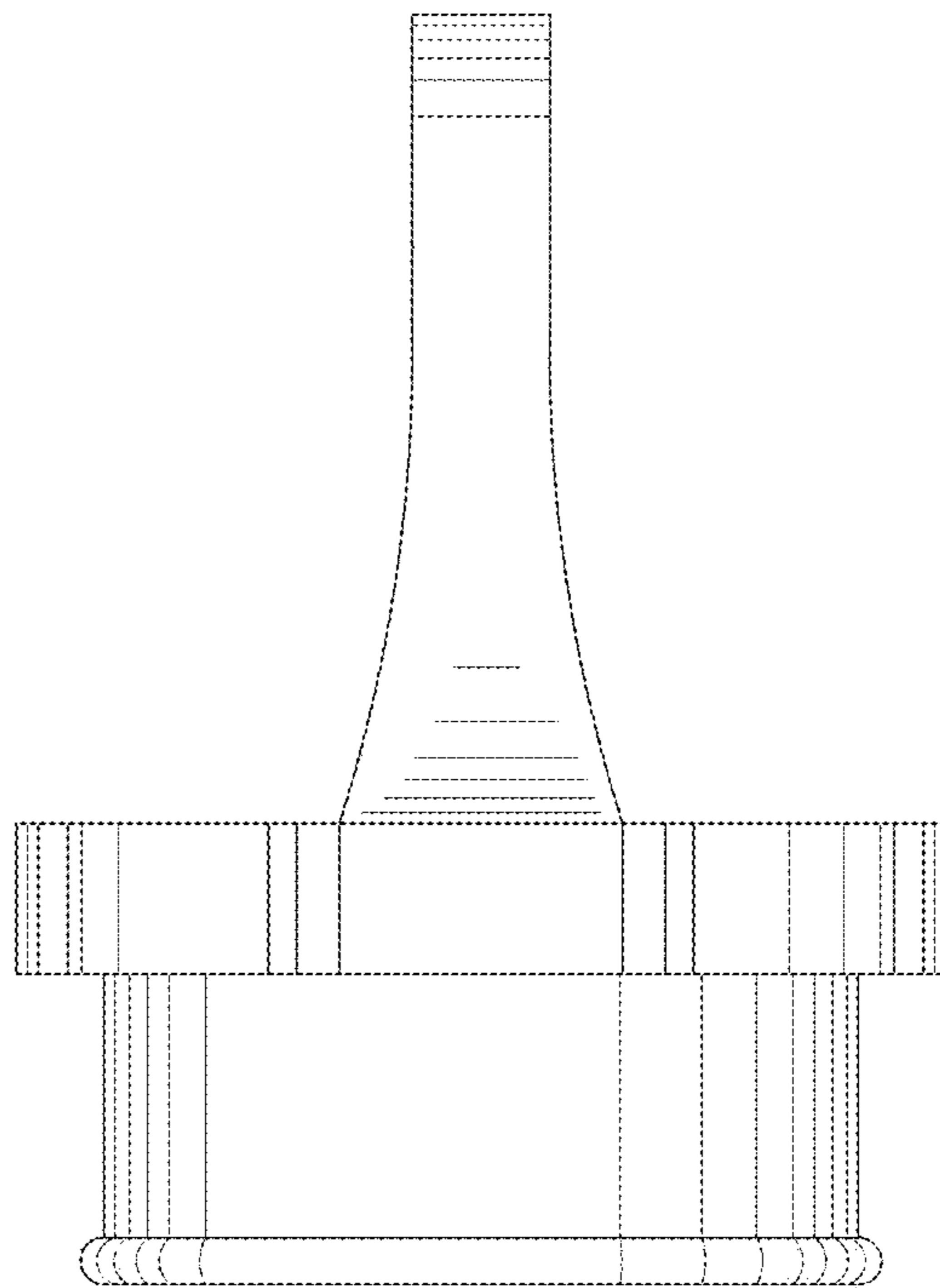


FIG. 3

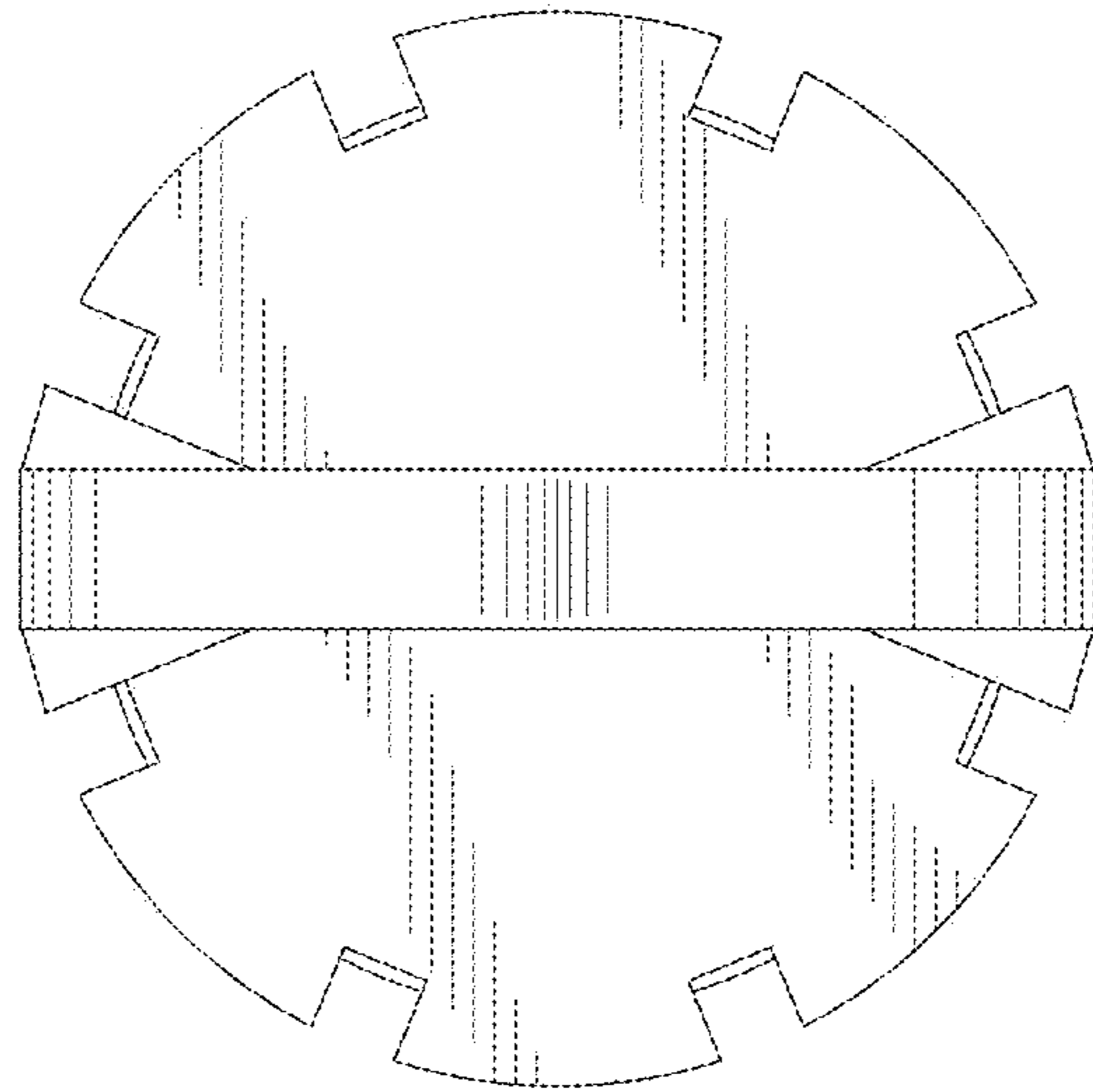


FIG. 4

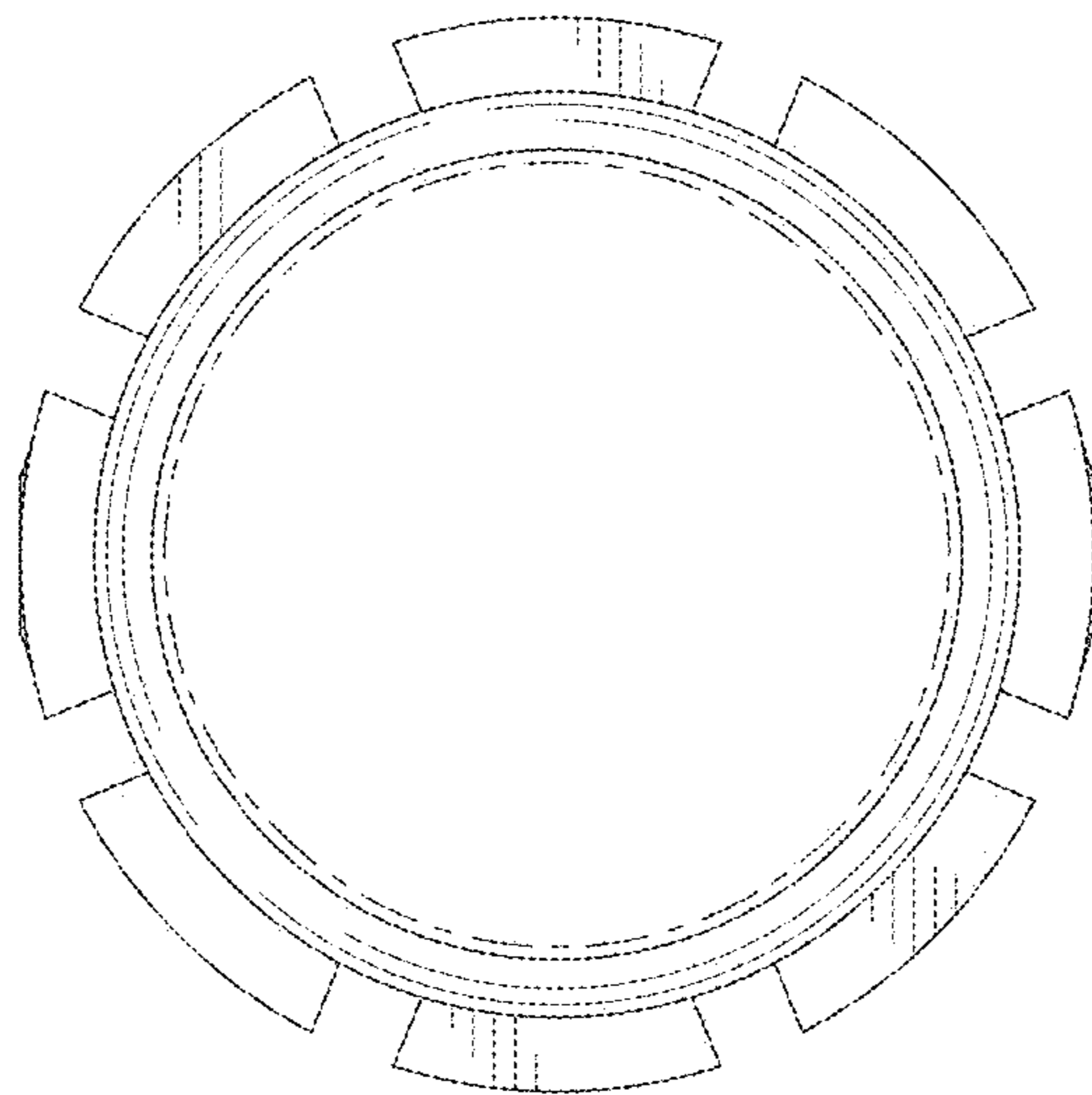


FIG. 5

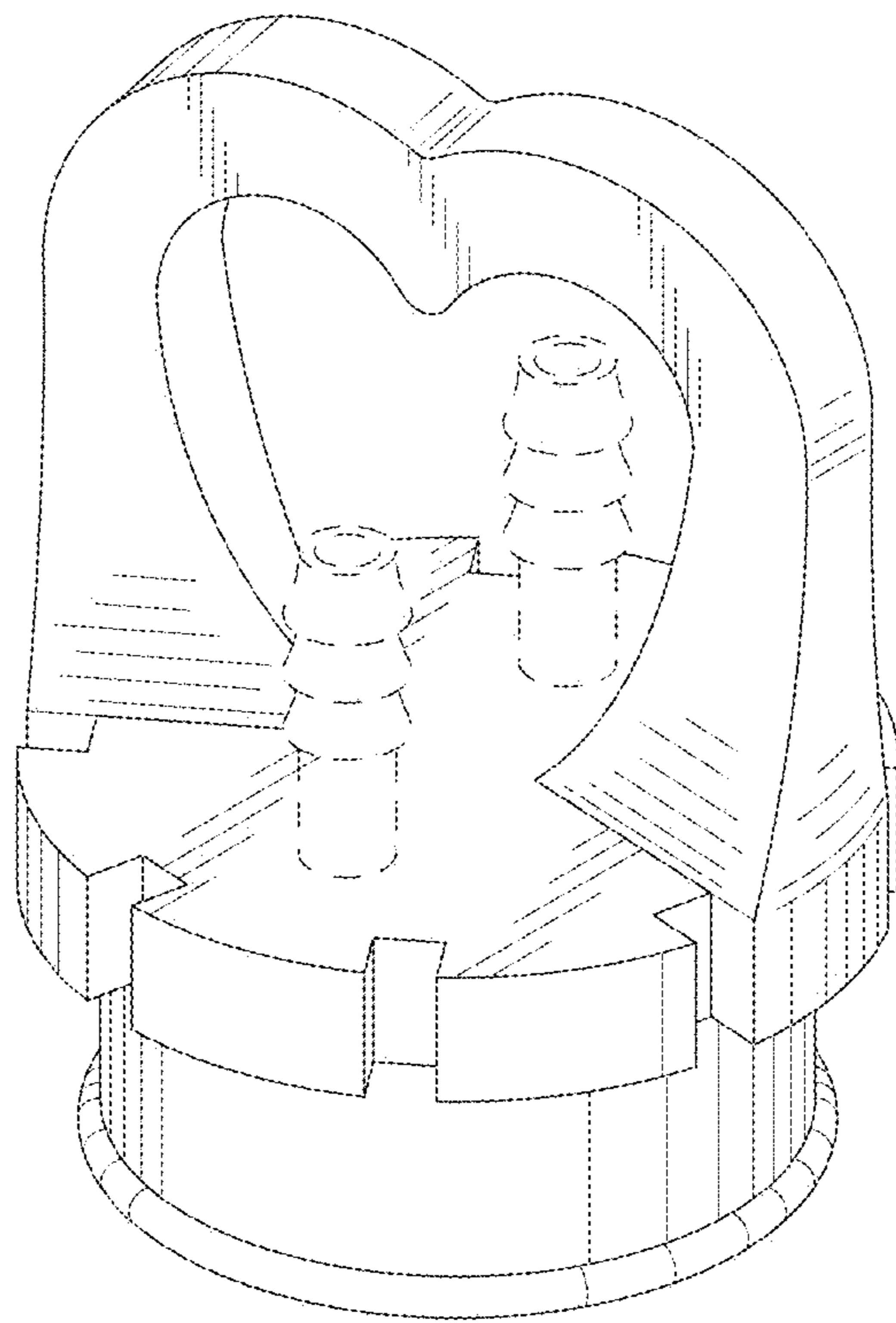


FIG. 6