



US00D988124S

(12) **United States Design Patent**  
**Mahadeo et al.**

(10) **Patent No.:** **US D988,124 S**  
(45) **Date of Patent:** **\*\* Jun. 6, 2023**

(54) **FENCE STAPLE**  
(71) Applicant: **THE HILLMAN GROUP, INC.**,  
Cincinnati, OH (US)  
(72) Inventors: **Beesham Mahadeo**, Toronto (CA);  
**Michael Martin Hicks**, Gilbert, AZ  
(US); **Richard Edison Friend**,  
Marysville, OH (US)  
(73) Assignee: **THE HILLMAN GROUP, INC.**,  
Cincinnati, OH (US)

1,574,790 A 3/1926 Carroll  
1,790,348 A \* 1/1931 Jewell ..... E04F 13/0835  
52/363  
1,877,274 A 9/1932 Crowhurst  
2,242,967 A \* 5/1941 Carlile ..... B27F 7/38  
206/820  
2,390,751 A \* 12/1945 Tinnerman ..... F16B 15/0015  
24/710.5  
2,632,356 A \* 3/1953 Thiel ..... F16B 15/0015  
411/920

(Continued)

(\*\*) Term: **15 Years**  
(21) Appl. No.: **29/754,492**  
(22) Filed: **Oct. 12, 2020**  
(51) **LOC (14) Cl.** ..... **08-08**  
(52) **U.S. Cl.**  
USPC ..... **D8/390**  
(58) **Field of Classification Search**  
USPC ..... D8/389, 388, 390; D24/145  
CPC ..... A61B 17/064; A61B 2017/0641; A61B  
17/0642; B21G 7/02; B21D 53/46; B21F  
45/24; F16B 15/0007; F16B 15/0015;  
F16B 15/0023; F16B 15/003; F16B  
15/0038; F16B 15/0046; F16B  
2015/0069; F16B 2015/0076; F16B 2/245  
See application file for complete search history.

**FOREIGN PATENT DOCUMENTS**

CA 19966 \* 6/1955  
CA 132677 \* 6/2010

*Primary Examiner* — S. Bryan Reinholdt, Jr.  
*Assistant Examiner* — Ieisha N Price  
(74) *Attorney, Agent, or Firm* — Thompson Hine LLP

(57) **CLAIM**

The ornamental design for a fence staple, as shown and described.

**DESCRIPTION**

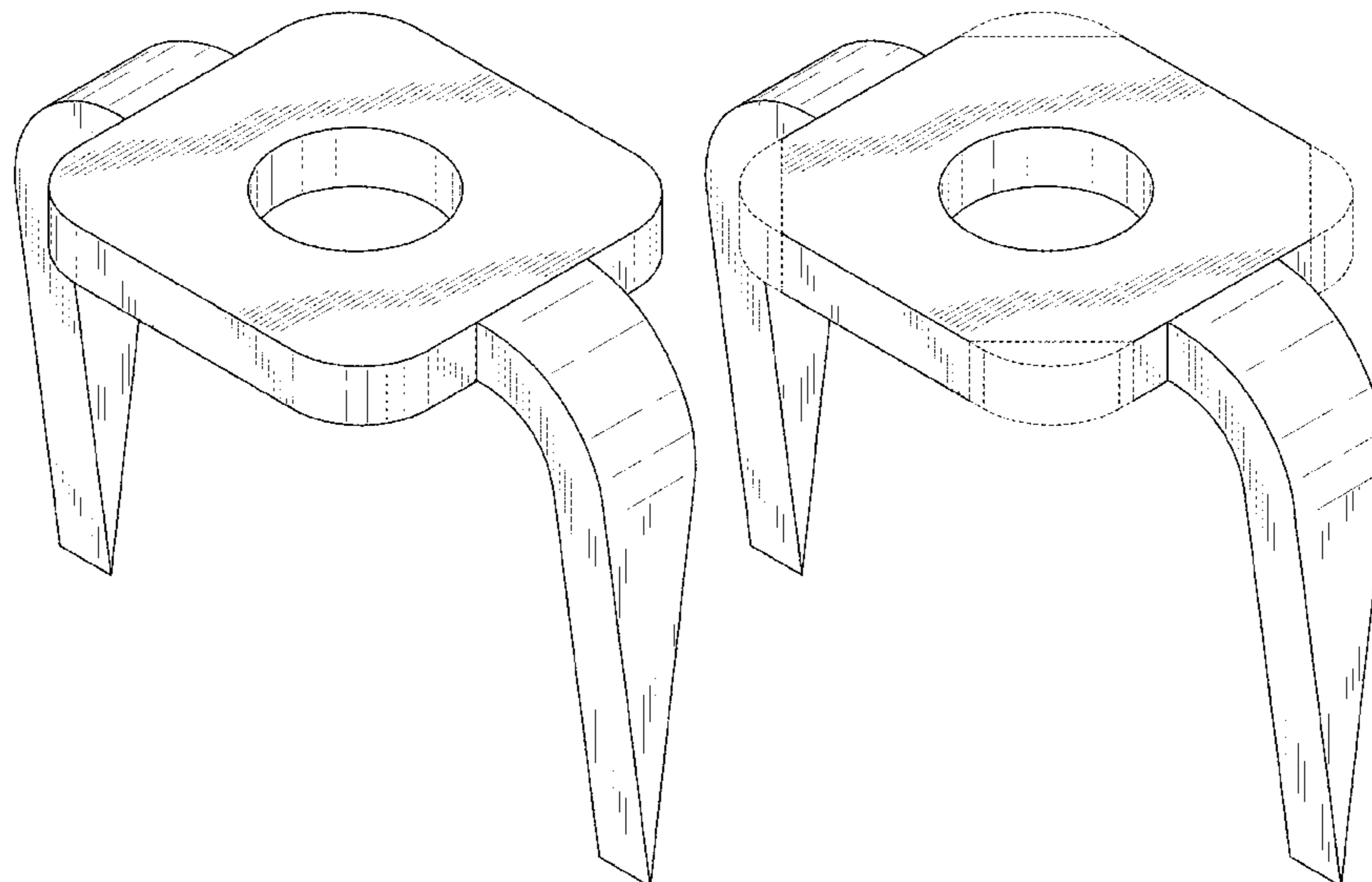
FIG. 1 is a perspective view of the first embodiment of a fence staple;  
FIG. 2 is front view of the fence staple;  
FIG. 3 is side view of the fence staple;  
FIG. 4 is a top view of the fence staple; and  
FIG. 5 is a bottom view of the fence staple.  
FIG. 6 is a perspective view of the second embodiment of a fence staple;  
FIG. 7 is front view of the fence staple;  
FIG. 8 is side view of the fence staple;  
FIG. 9 is a top view of the fence staple; and,  
FIG. 10 is a bottom view of the fence staple.  
The portions of the fence staple shown in dashed broken lines form no part of the claimed design.

(56) **References Cited**

**U.S. PATENT DOCUMENTS**

275,435 A 4/1883 Sweet  
285,640 A \* 9/1883 McGill ..... F16B 15/04  
402/14  
420,635 A 2/1890 Stieringer  
D28,350 S \* 3/1898 Reuter ..... 411/457  
607,410 A 7/1898 Flanagan  
D30,776 S \* 5/1899 Myers ..... D8/390  
1,335,042 A \* 3/1920 Cadwallader ..... F16B 15/0015  
174/158 R

**1 Claim, 8 Drawing Sheets**



(56)

References Cited

U.S. PATENT DOCUMENTS

2,887,004 A *	5/1959	Stewart	.....	F16B 15/0015	411/920	5,414,991 A *	5/1995	Kfir	.....	F16B 15/0015	59/77
3,154,999 A *	11/1964	Stewart	.....	F16B 15/02	411/920	D378,409 S *	3/1997	Michelson	.....	D24/155	
3,224,721 A	12/1965	Malmquist				D717,951 S *	11/2014	Cheney	.....	D24/155	
D205,375 S *	7/1966	Marotz	.....	D8/389		D805,886 S *	12/2017	Shackleford	.....	D8/389	
3,339,448 A	9/1967	McKee				D821,853 S *	7/2018	Mikkelsen	.....	D8/354	
3,513,747 A	5/1970	Dirks				10,494,821 B2 *	12/2019	Shadwell	.....	E04F 15/02183	
D227,976 S *	7/1973	Barth	.....	D8/393		2007/0270906 A1 *	11/2007	Molz	.....	A61B 17/0642	606/219
D231,902 S *	6/1974	Olson	.....	D8/389		2008/0061280 A1	3/2008	Damon, III			
D236,083 S *	7/1975	Olson	.....	D8/389		2008/0319443 A1 *	12/2008	Focht	.....	A61B 17/0642	606/75
D236,427 S *	8/1975	Olson	.....	D8/390		2011/0286785 A1 *	11/2011	Brouwer	.....	F16B 7/0493	403/188
D243,365 S *	2/1977	Cross	.....	D24/135		2015/0133969 A1 *	5/2015	Gupta	.....	A61B 17/10	606/151
4,114,859 A	9/1978	Stenson				2015/0275951 A1 *	10/2015	Shadwell	.....	F16B 15/08	411/511
4,220,070 A *	9/1980	Anstett	.....	F16B 15/08	411/444	2020/0284027 A1 *	9/2020	Silver	.....	F16B 15/0015	
5,314,427 A *	5/1994	Goble	.....	A61B 17/0642	606/232	2021/0381269 A1 *	12/2021	Stemper	.....	F16B 2/245	

\* cited by examiner

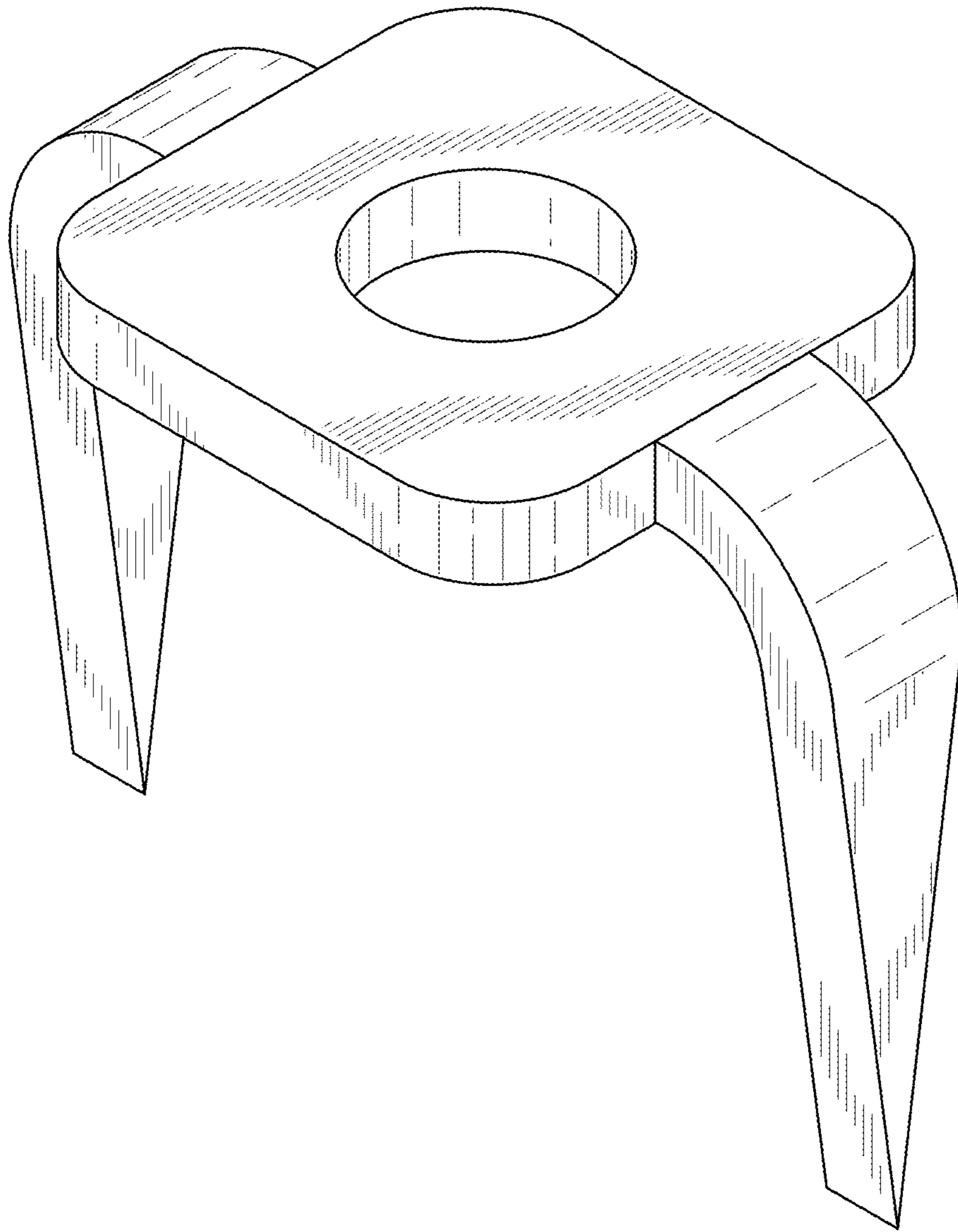


FIG. 1

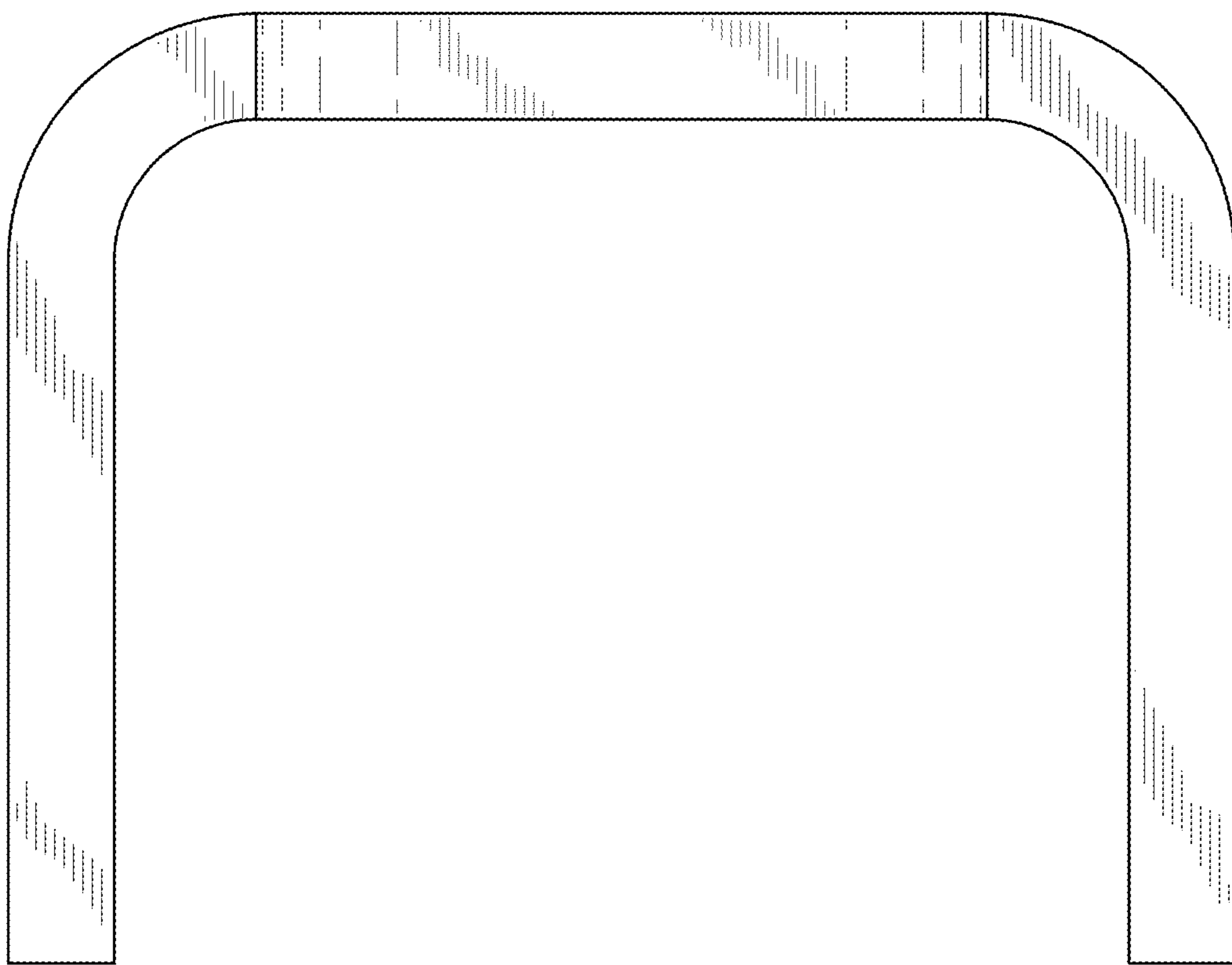


FIG. 2

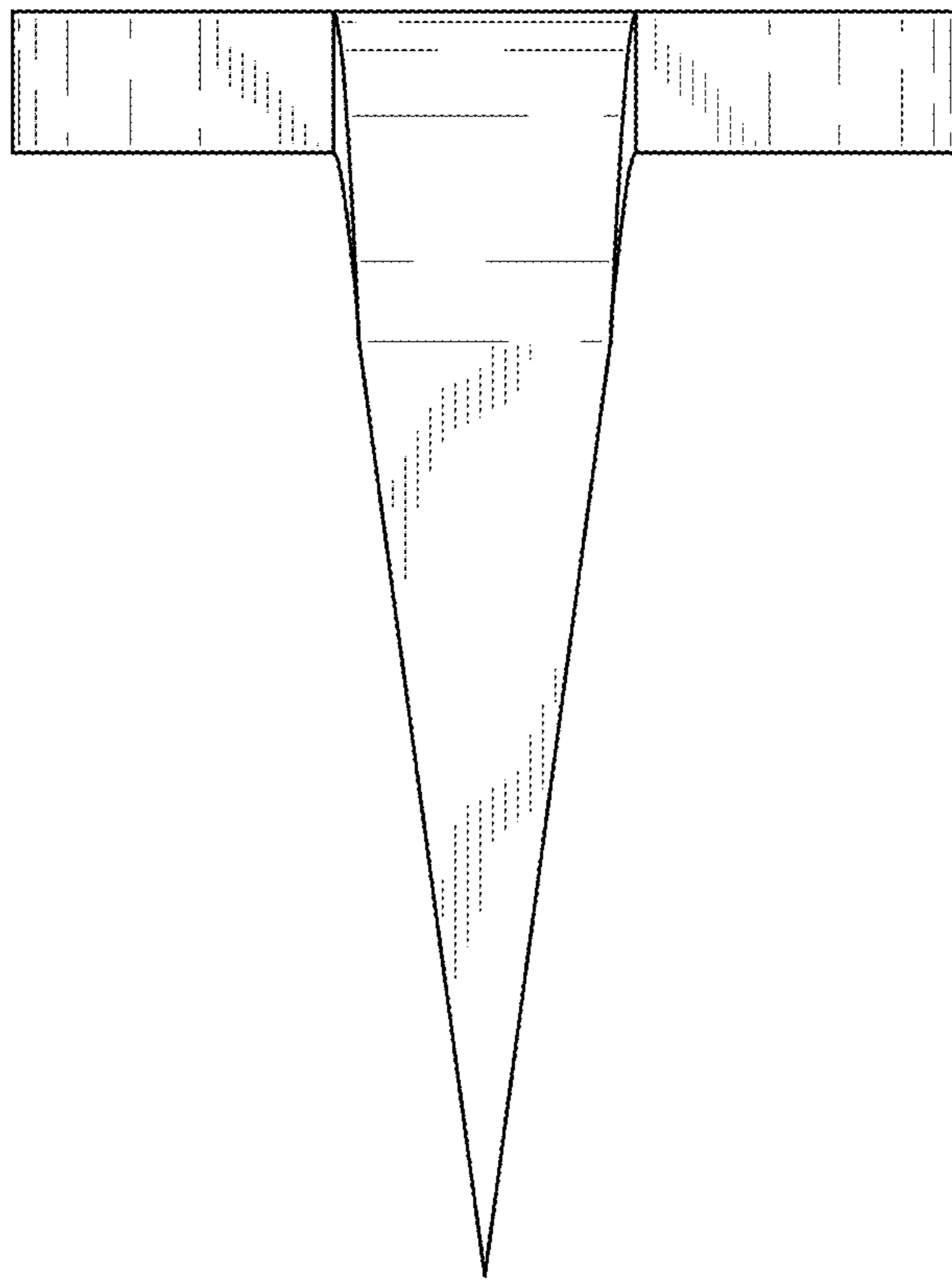


FIG. 3

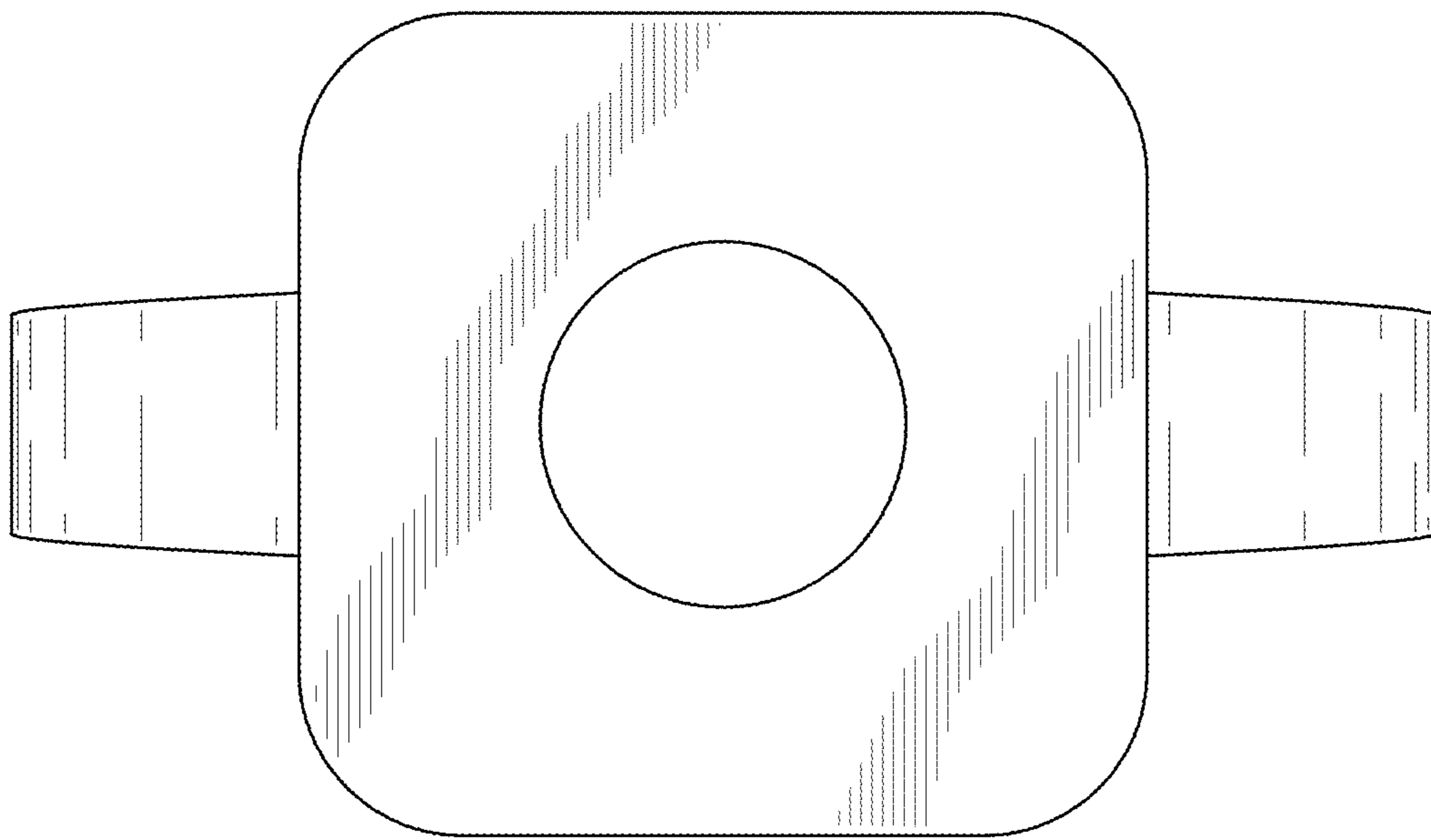


FIG. 4

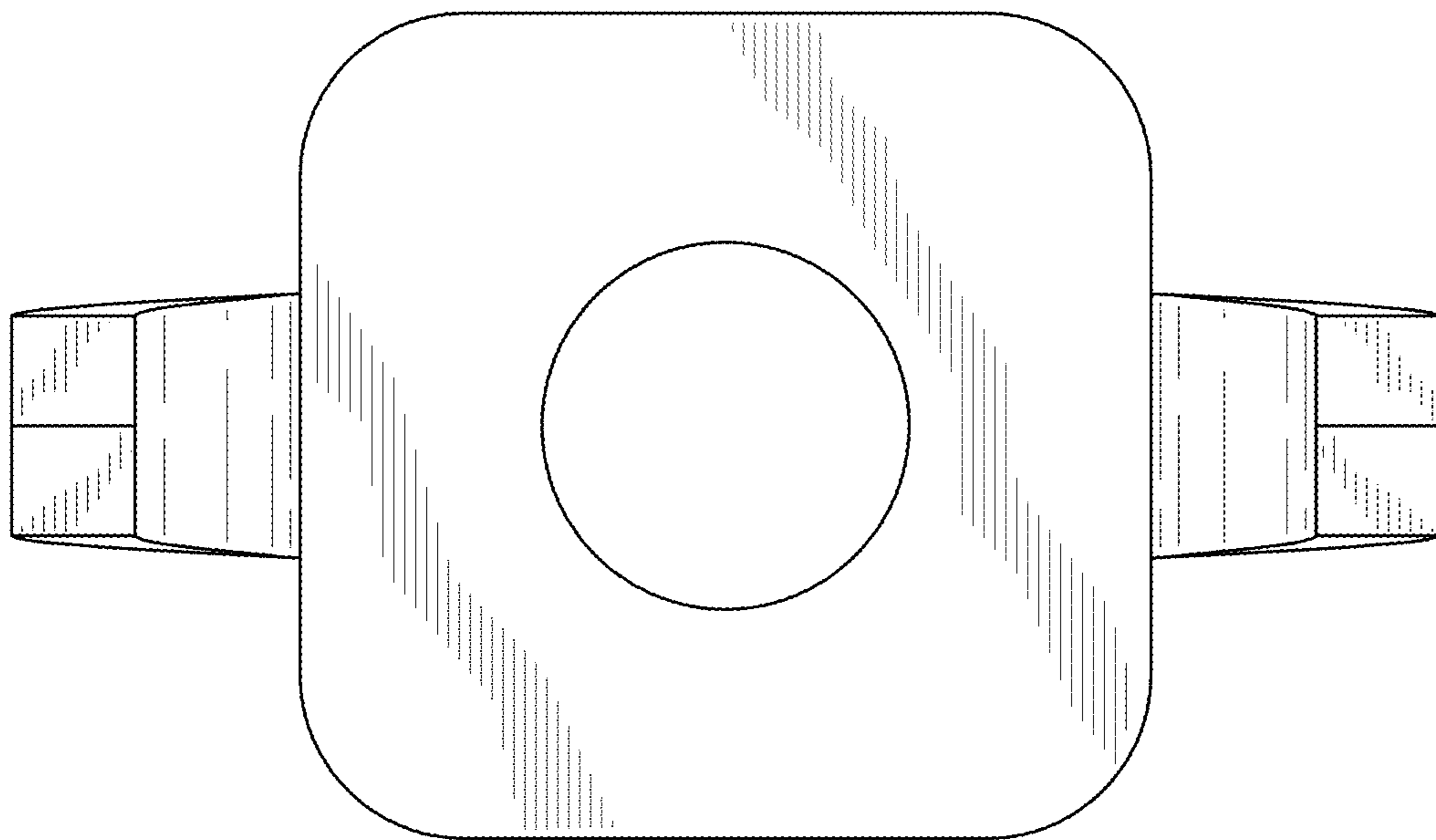


FIG. 5

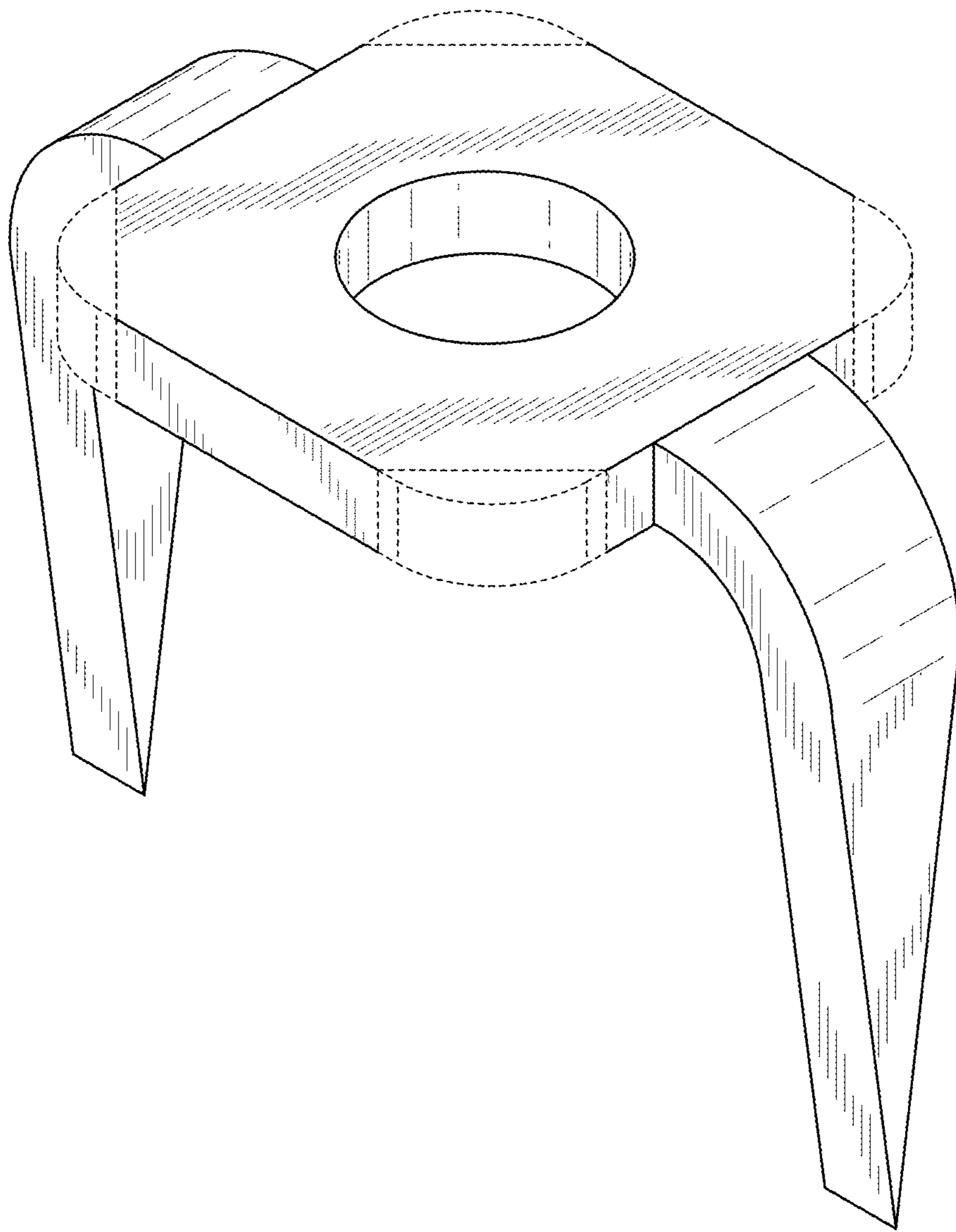


FIG. 6

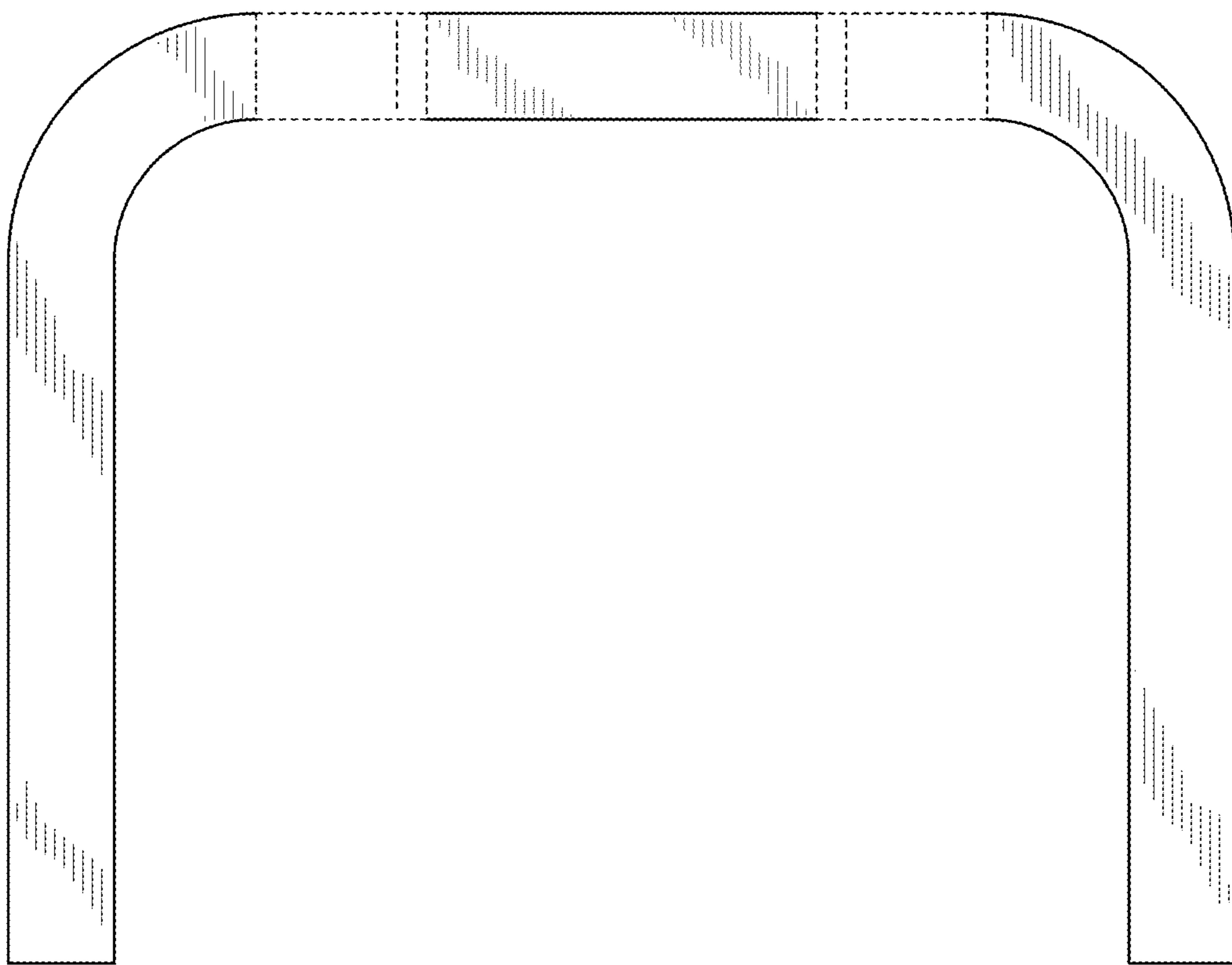


FIG. 7



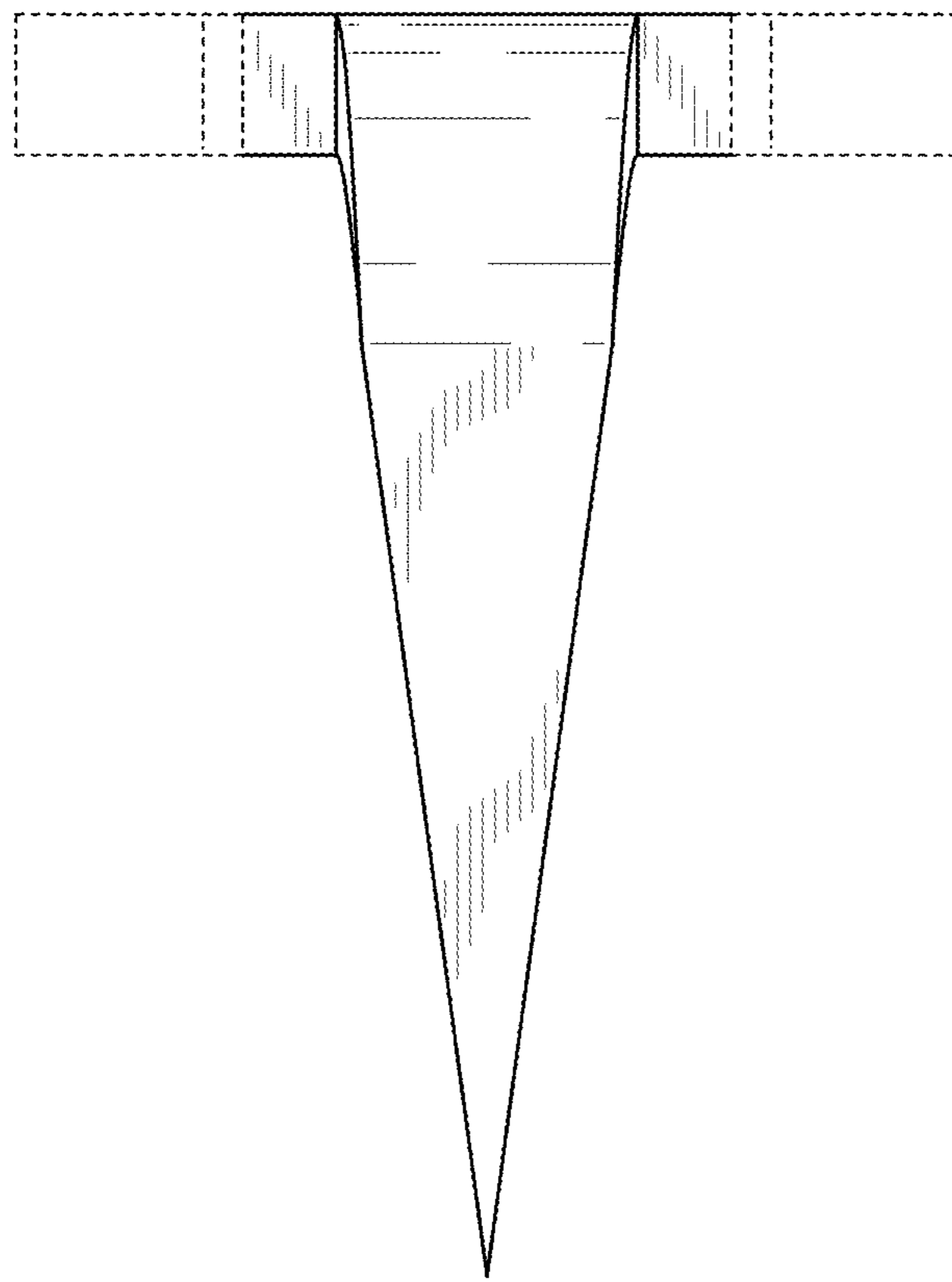


FIG. 8

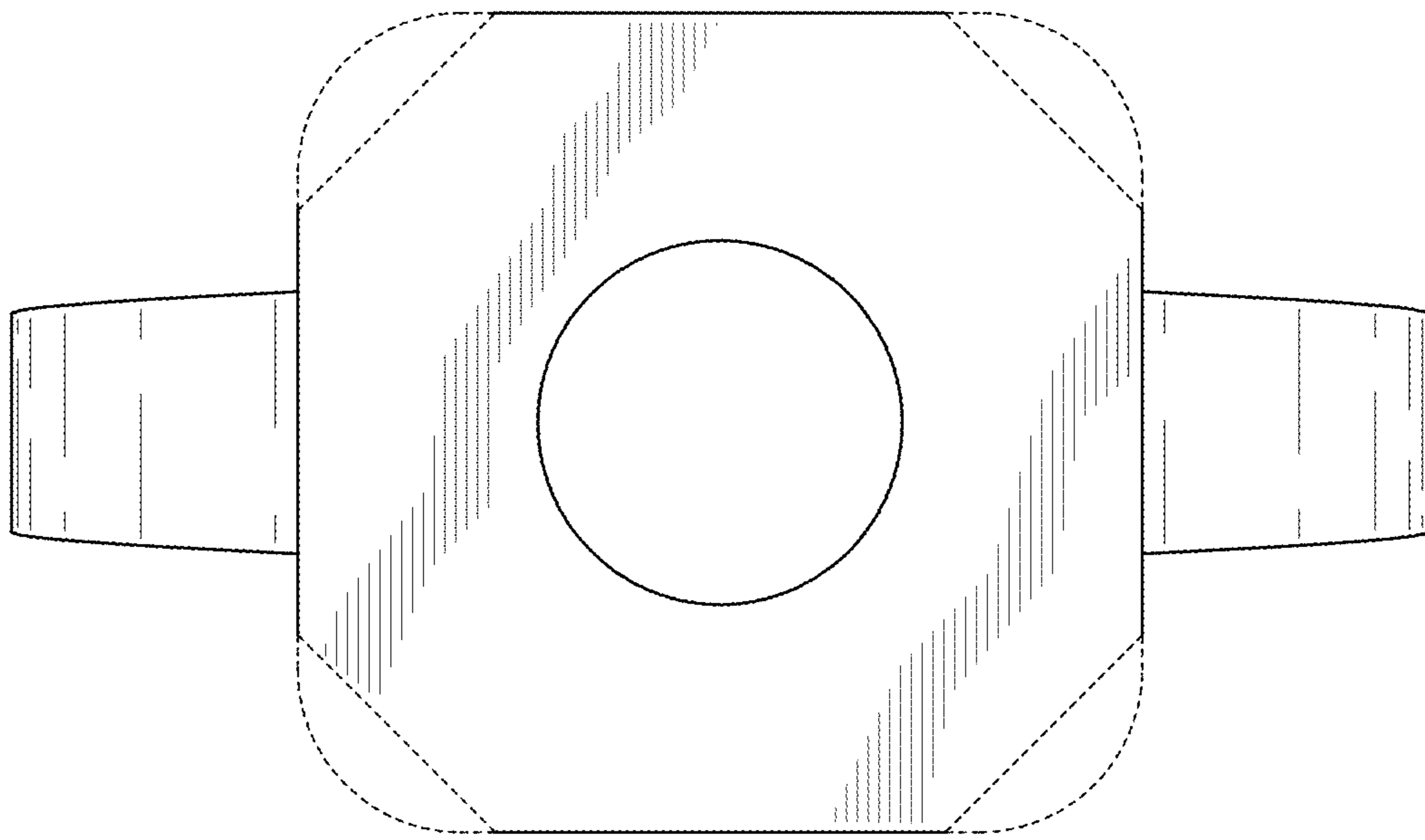


FIG. 9

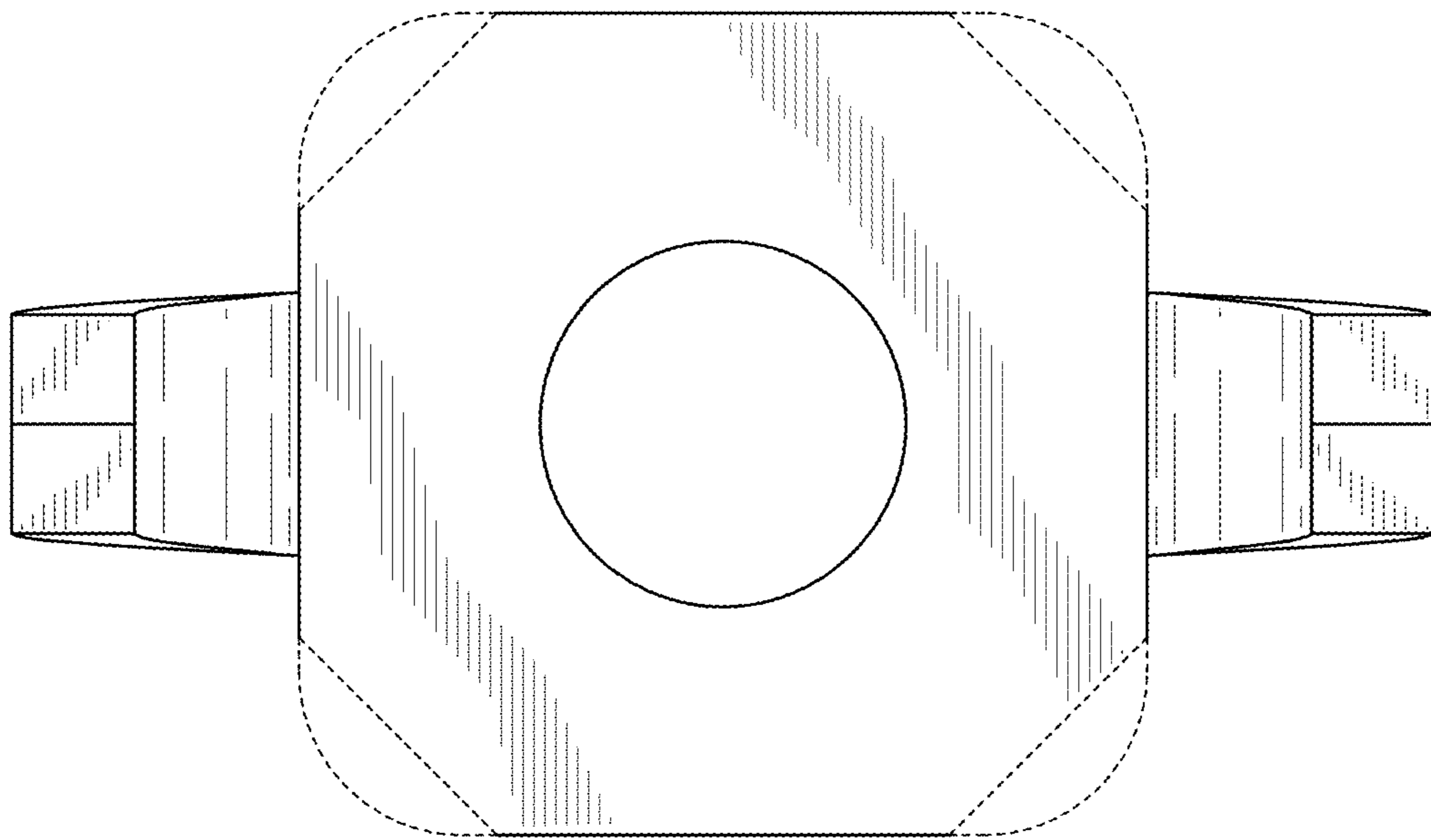


FIG. 10