



US00D988123S

(12) **United States Design Patent**
Robillard et al.

(10) **Patent No.:** **US D988,123 S**
(45) **Date of Patent:** **** Jun. 6, 2023**

(54) **CLIP**

FOREIGN PATENT DOCUMENTS

(71) Applicant: **BOMBARDIER RECREATIONAL PRODUCTS INC.**, Valcourt (CA)

FR 016346-001 10/2001

(72) Inventors: **Pierre-Luc Robillard**, Sherbrooke (CA); **Karl Dery St-Cyr**, St-Denis-de-Brompton (CA); **Bart Vandenberg**, Racine (CA); **Mathieu Mercier**, Sherbrooke (CA); **Alexandre Morin-Savard**, Sherbrooke (CA); **Michel Bourassa**, Sherbrooke (CA); **Samuel Simoneau**, St-Denis-de-Brompton (CA)

OTHER PUBLICATIONS

Bombardier Recreational Products Inc., LinQ™ 13.5 US Gal (51 L) Cooler, retrieved from <https://www.brppac.com/brp-269800943.html> on Aug. 9, 2021.

(Continued)

Primary Examiner — Calvin E Vansant
Assistant Examiner — Benjamin Lucas Gray
(74) *Attorney, Agent, or Firm* — BCF LLP

(73) Assignee: **BOMBARDIER RECREATIONAL PRODUCTS INC.**, Valcourt (CA)

(57) **CLAIM**

The ornamental design for a clip, as shown and described.

(**) Term: **15 Years**

DESCRIPTION

(21) Appl. No.: **29/803,107**

(22) Filed: **Aug. 10, 2021**

(51) **LOC (14) Cl.** **08-08**

(52) **U.S. Cl.**
USPC **D8/382**

(58) **Field of Classification Search**
USPC D8/382, 383, 394, 395, 330, 331, 339, D8/341, 342; D12/223, 415
CPC F16B 2/02; F16B 2/04; F16B 2/06; F16B 2/20; F16B 2/22; F16B 2/246; Y10T 24/1394; Y10T 24/44
See application file for complete search history.

FIG. 1 is a perspective view taken from a top, front, left side of a clip according to a first embodiment of our design; FIG. 2 is a perspective view taken from a bottom, rear, right side thereof; FIG. 3 is a front elevation view thereof; FIG. 4 is a rear elevation view thereof; FIG. 5 is a right side elevation view thereof; FIG. 6 is a left side elevation view thereof; FIG. 7 is a top plan view thereof; FIG. 8 is a bottom plan view thereof; FIG. 9 is a perspective view taken from a top, front, left side of a clip according to a second embodiment of our design; FIG. 10 is a perspective view taken from a bottom, rear, right side thereof; FIG. 11 is a front elevation view thereof; FIG. 12 is a rear elevation view thereof; FIG. 13 is a right side elevation view thereof; FIG. 14 is a left side elevation view thereof; FIG. 15 is a top plan view thereof; and, FIG. 16 is a bottom plan view thereof.

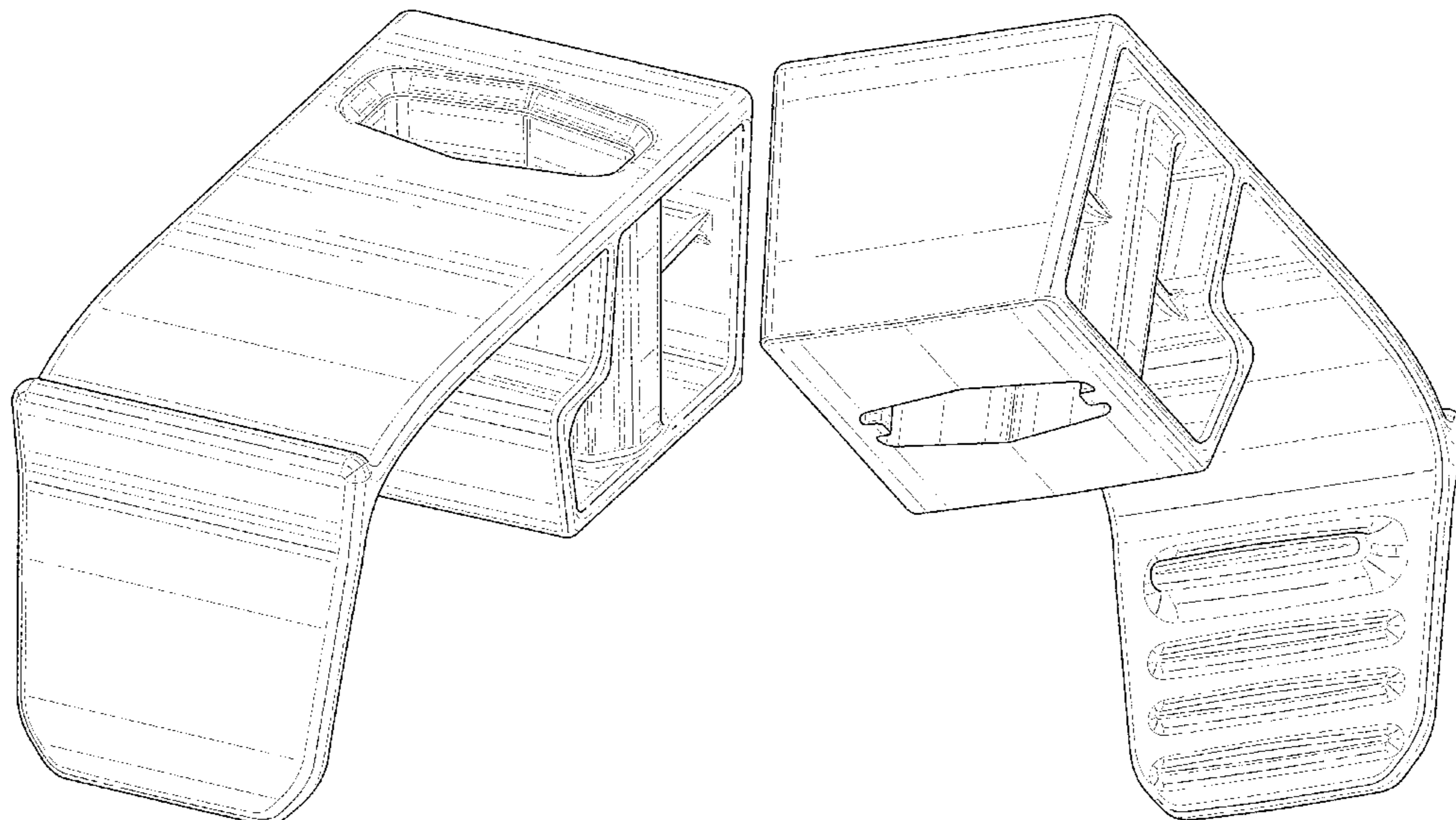
(56) **References Cited**

U.S. PATENT DOCUMENTS

4,669,688 A * 6/1987 Itoh H02G 3/30
24/297
D307,108 S * 4/1990 Morita D8/382

(Continued)

1 Claim, 16 Drawing Sheets



(56)

References Cited

U.S. PATENT DOCUMENTS

D358,798	S *	5/1995	Miller	D8/394
D466,109	S *	11/2002	Kohler	D14/229
D658,485	S *	5/2012	Wall	D8/382
D712,024	S *	8/2014	Au	D24/108
8,875,830	B2	11/2014	Massicotte et al.	
D747,780	S *	1/2016	Swan	D22/110
D759,475	S *	6/2016	Banno	D8/395
D786,053	S *	5/2017	Fabis	D8/380
9,751,592	B2	9/2017	Labbe et al.	
D842,085	S *	3/2019	Emanuel	D8/382
D920,768	S *	6/2021	Myerson	D8/373
D955,868	S *	6/2022	Carroll	D8/394
D957,239	S *	7/2022	Bayless	D8/382
2019/0162215	A1 *	5/2019	Santillan Gutierrez ..	F16B 2/22
2020/0406730	A1	12/2020	Fournier et al.	

OTHER PUBLICATIONS

Bombardier Recreational Products Inc., LinQ Cup Holder—Black, retrieved from <https://www.brppac.com/brp-295100935.html> on Aug. 9, 2021.

Bombardier Recreational Products Inc., Quick Attach Rod Holder, retrieved from <https://www.brppac.com/brp-295100795.html> on Aug. 9, 2021.

Bombardier Recreational Products Inc., Live the Sea-Doo Life, 2021 Catalog, 2020, Cover page, pp. 2-5 and last page.

Grant Decision issued from the Rospatent on Jan. 13, 2023 in connection with the related application No. 2022500616.

* cited by examiner

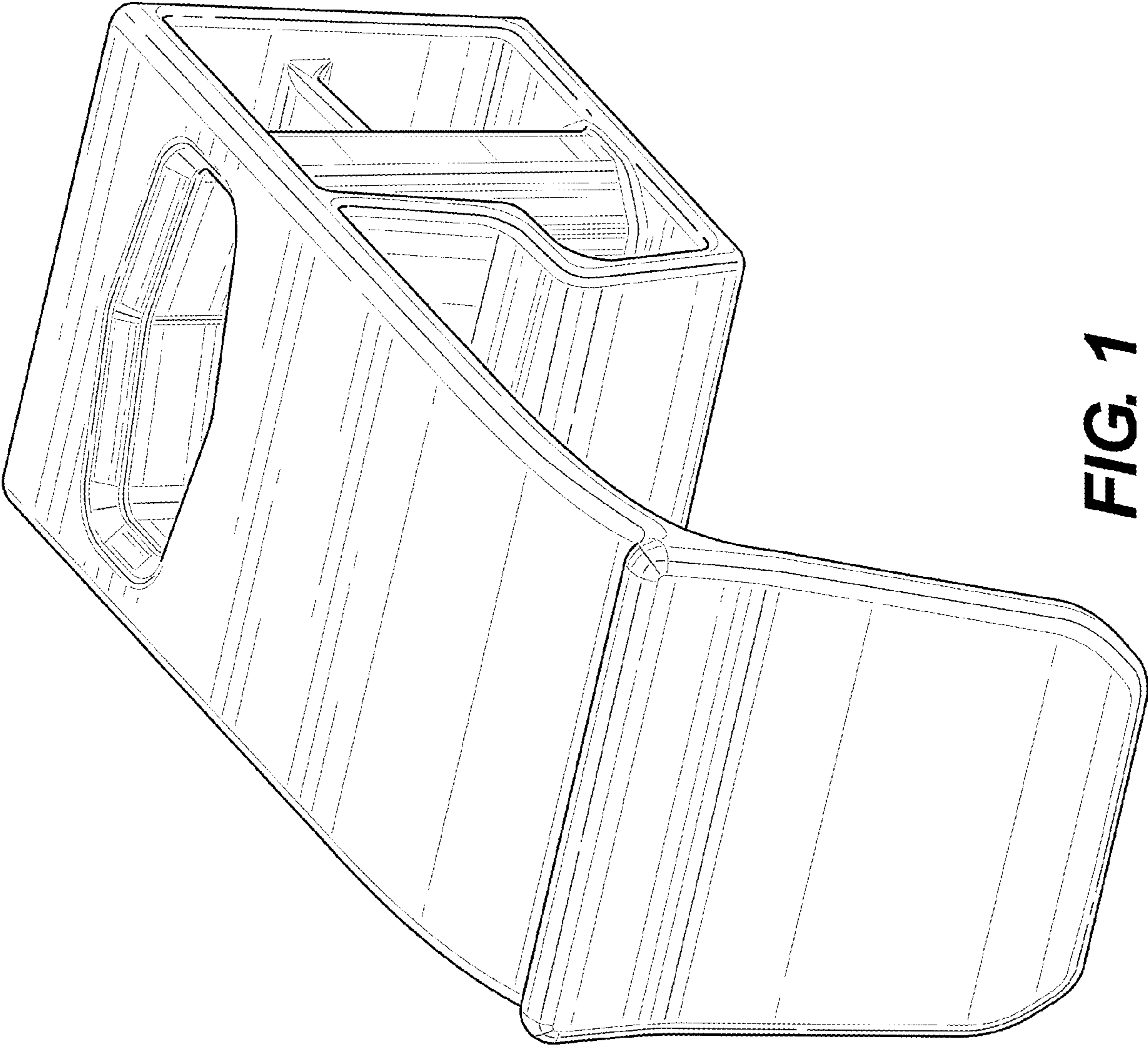


FIG. 1

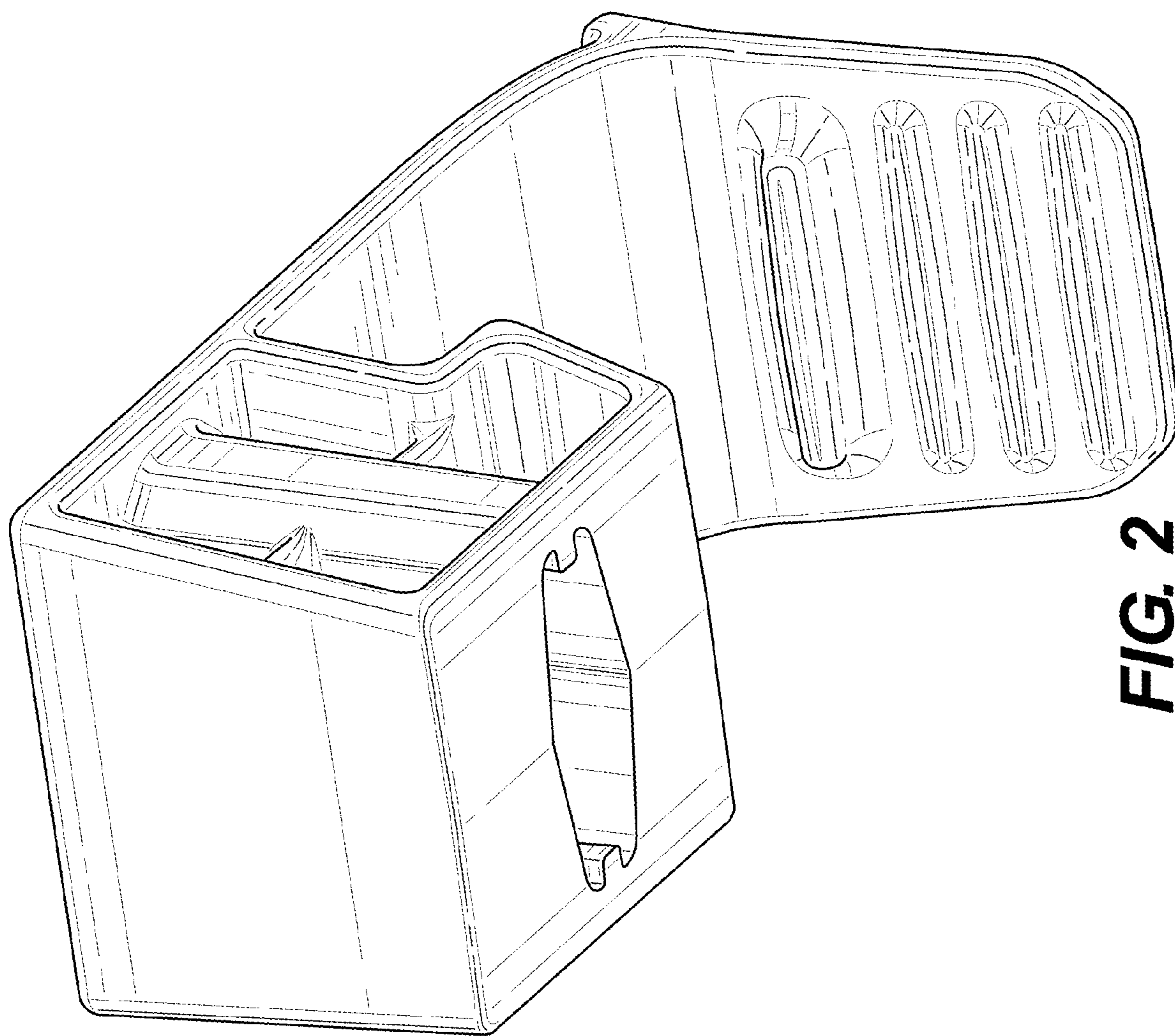


FIG. 2

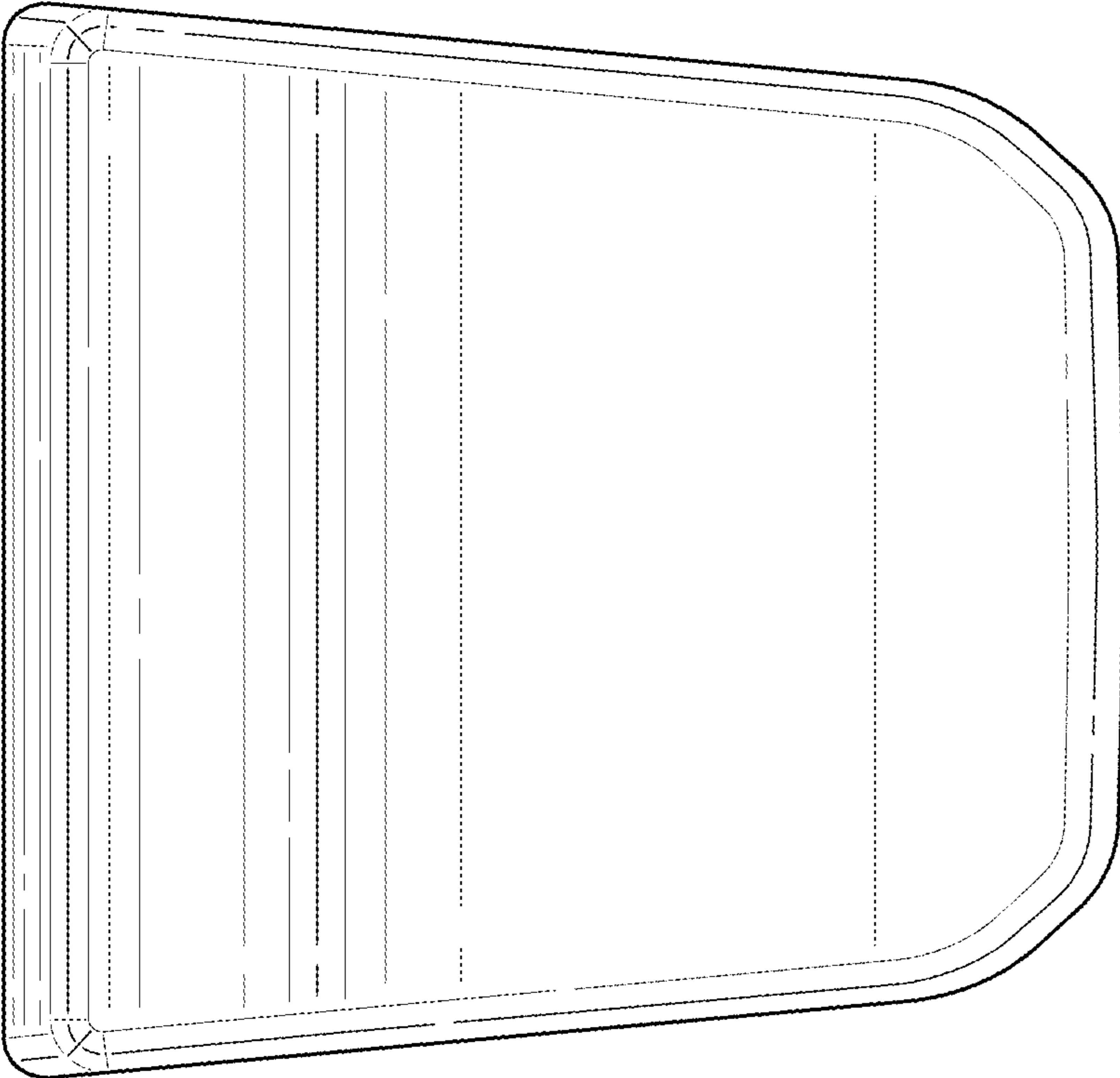


FIG. 3

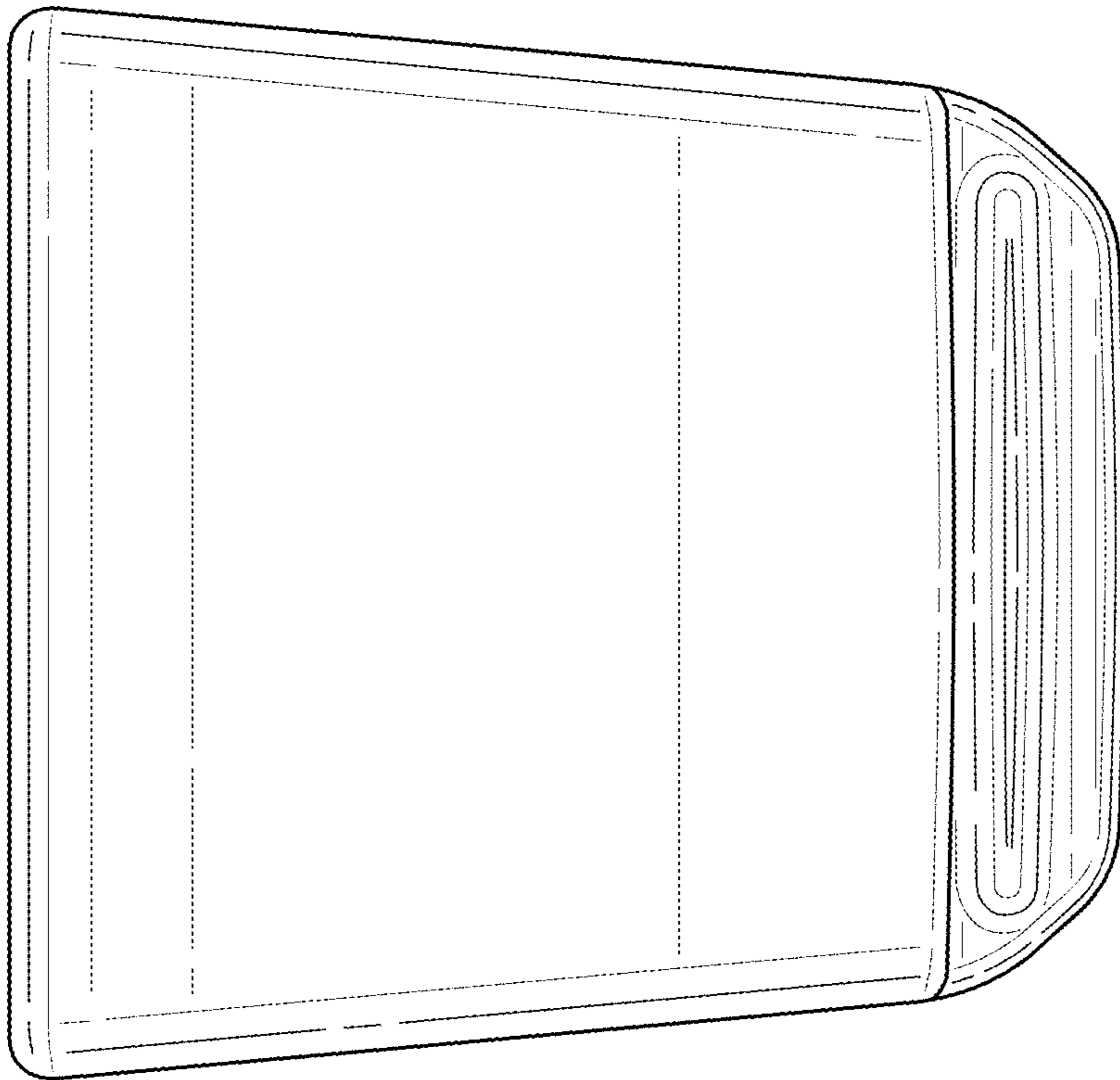


FIG. 4

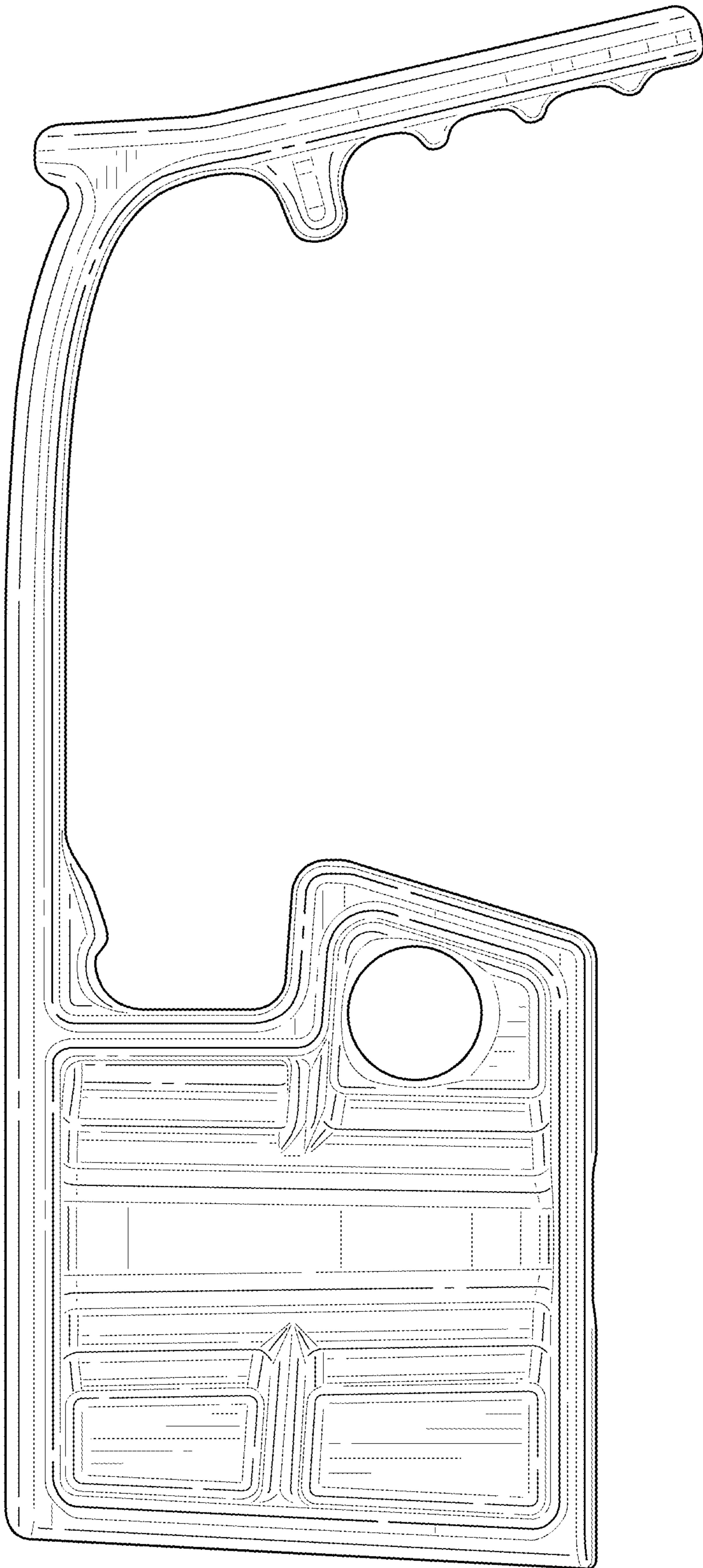


FIG. 5

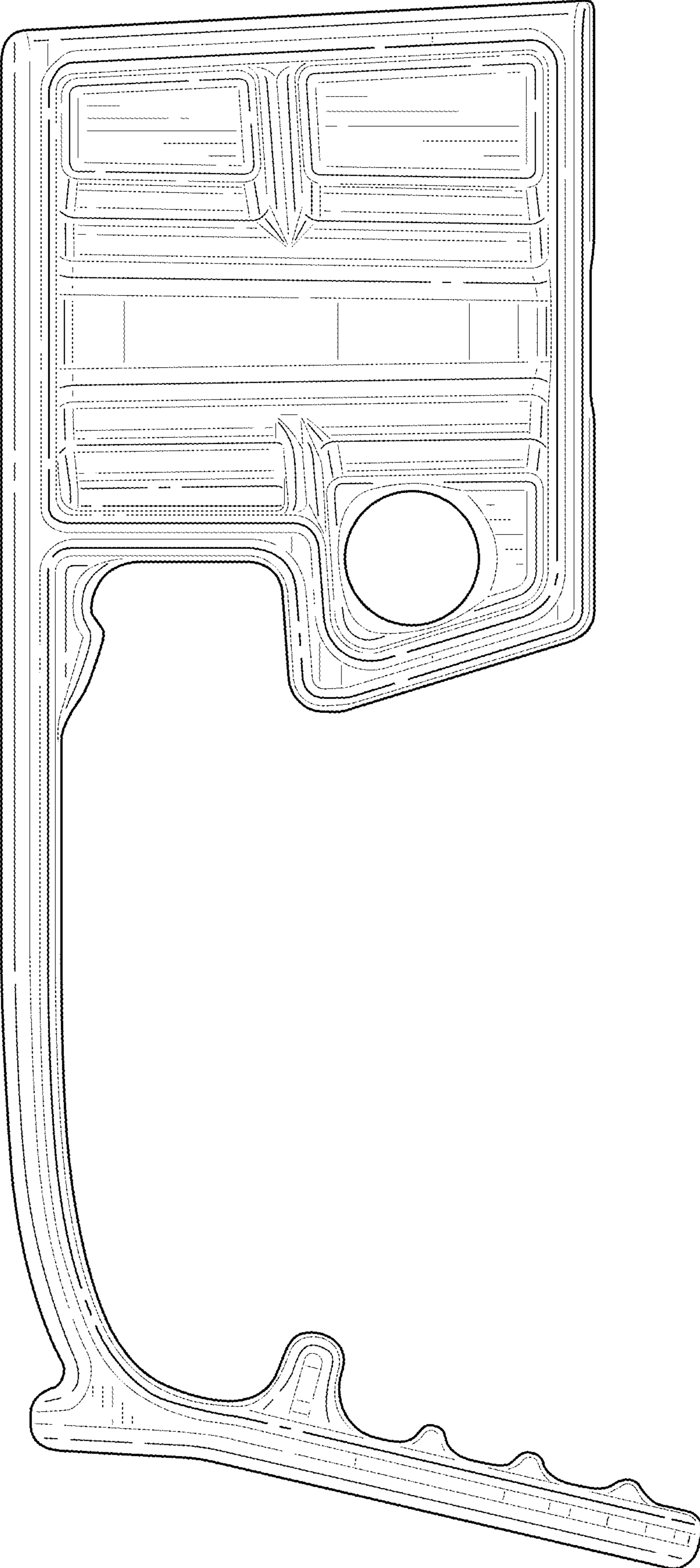


FIG. 6

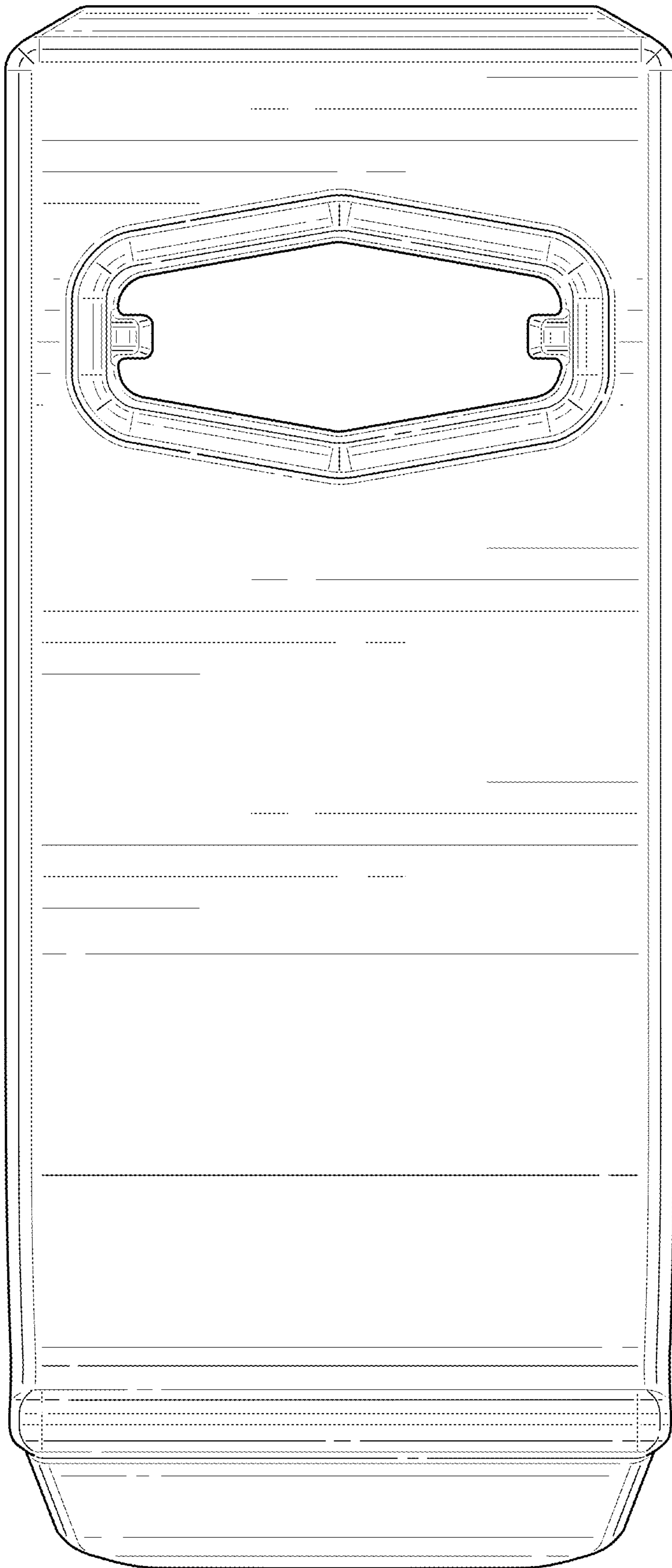


FIG. 7

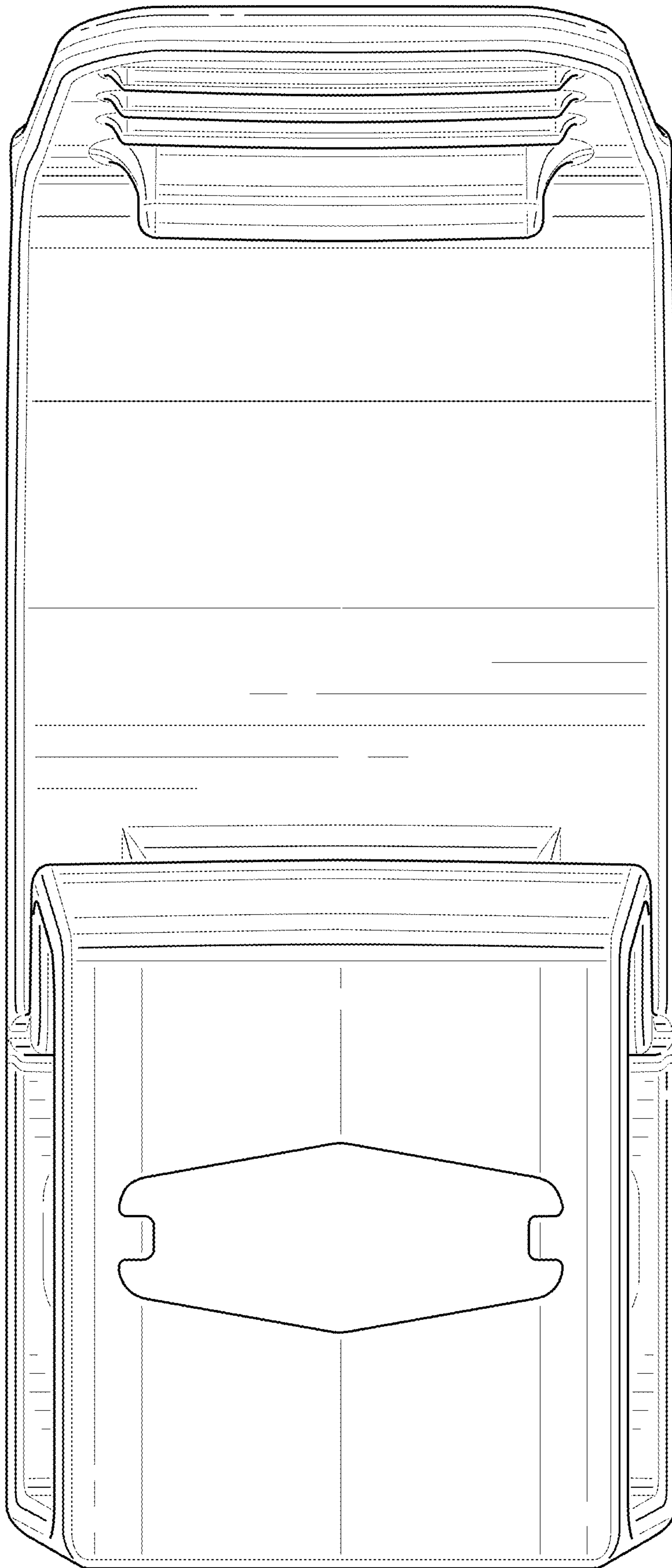


FIG. 8

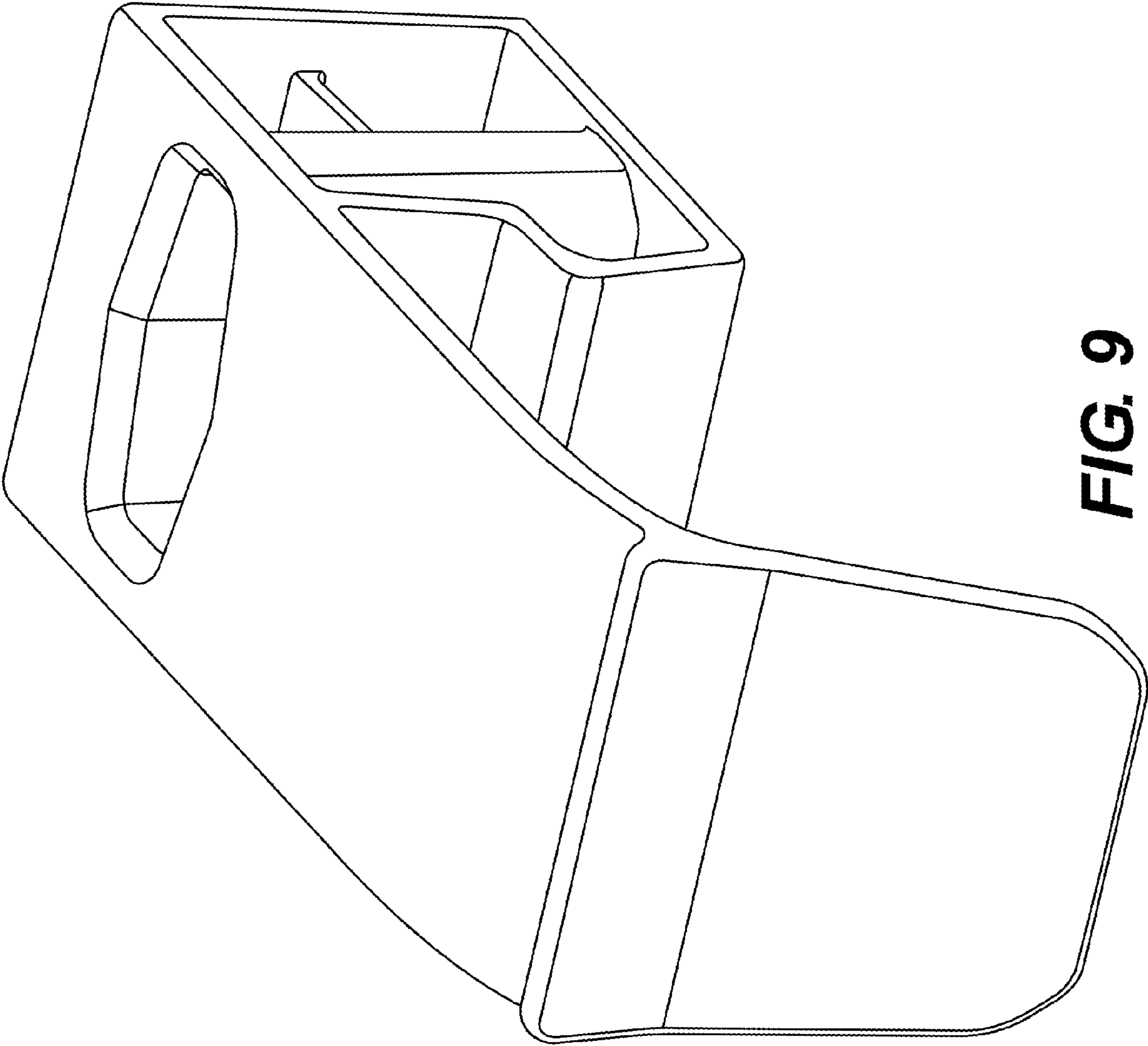


FIG. 9

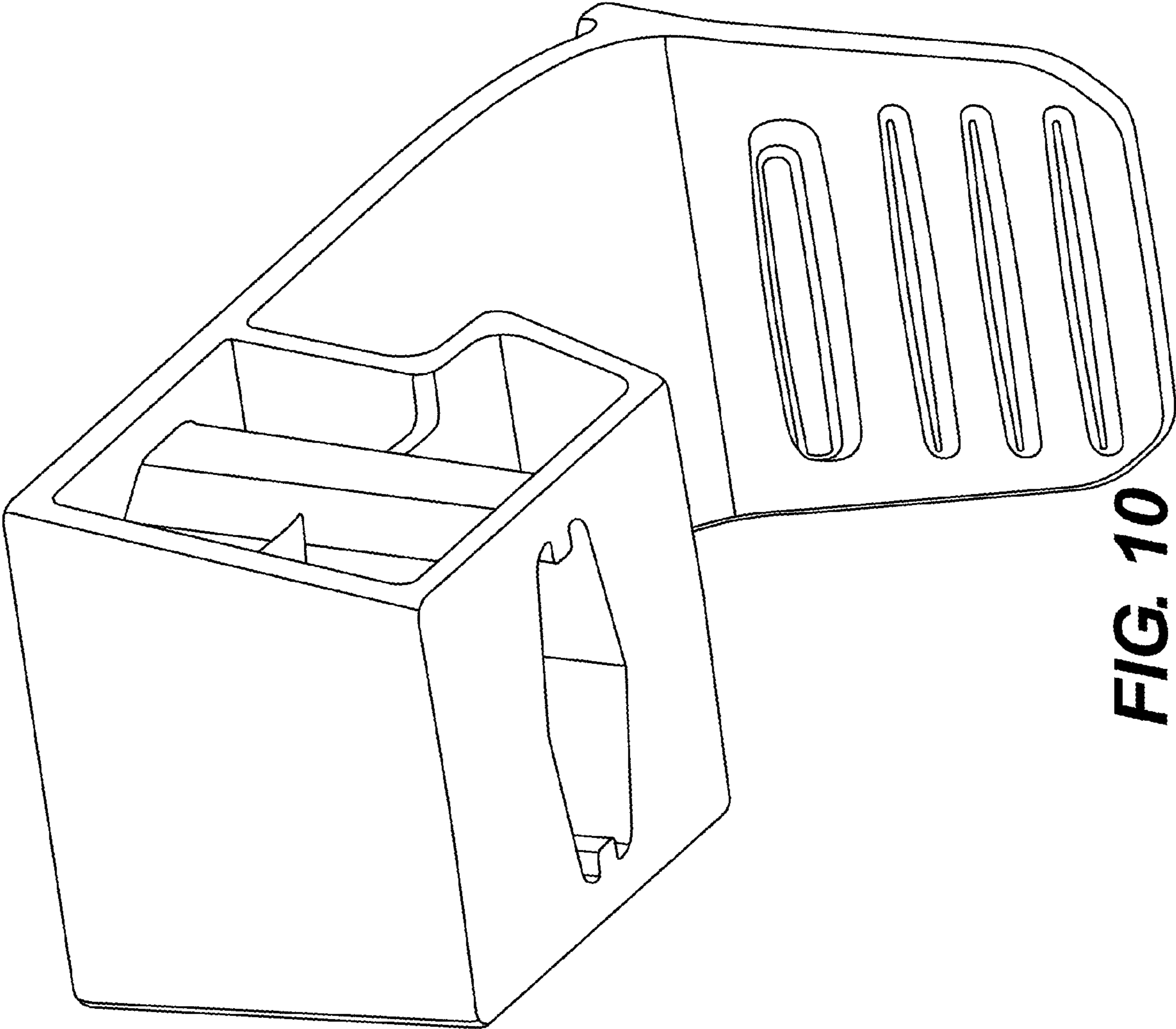


FIG. 10

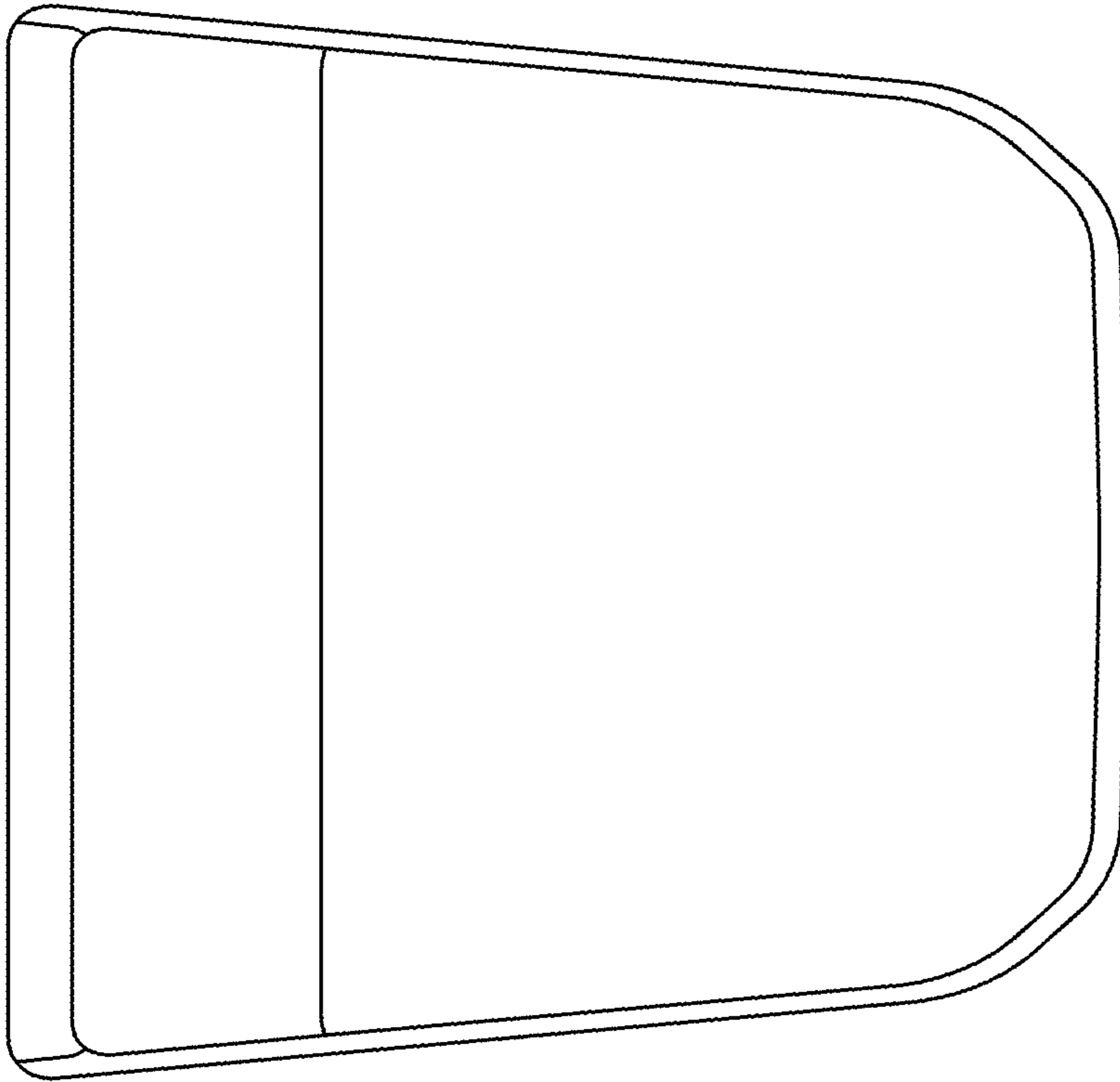


FIG. 11

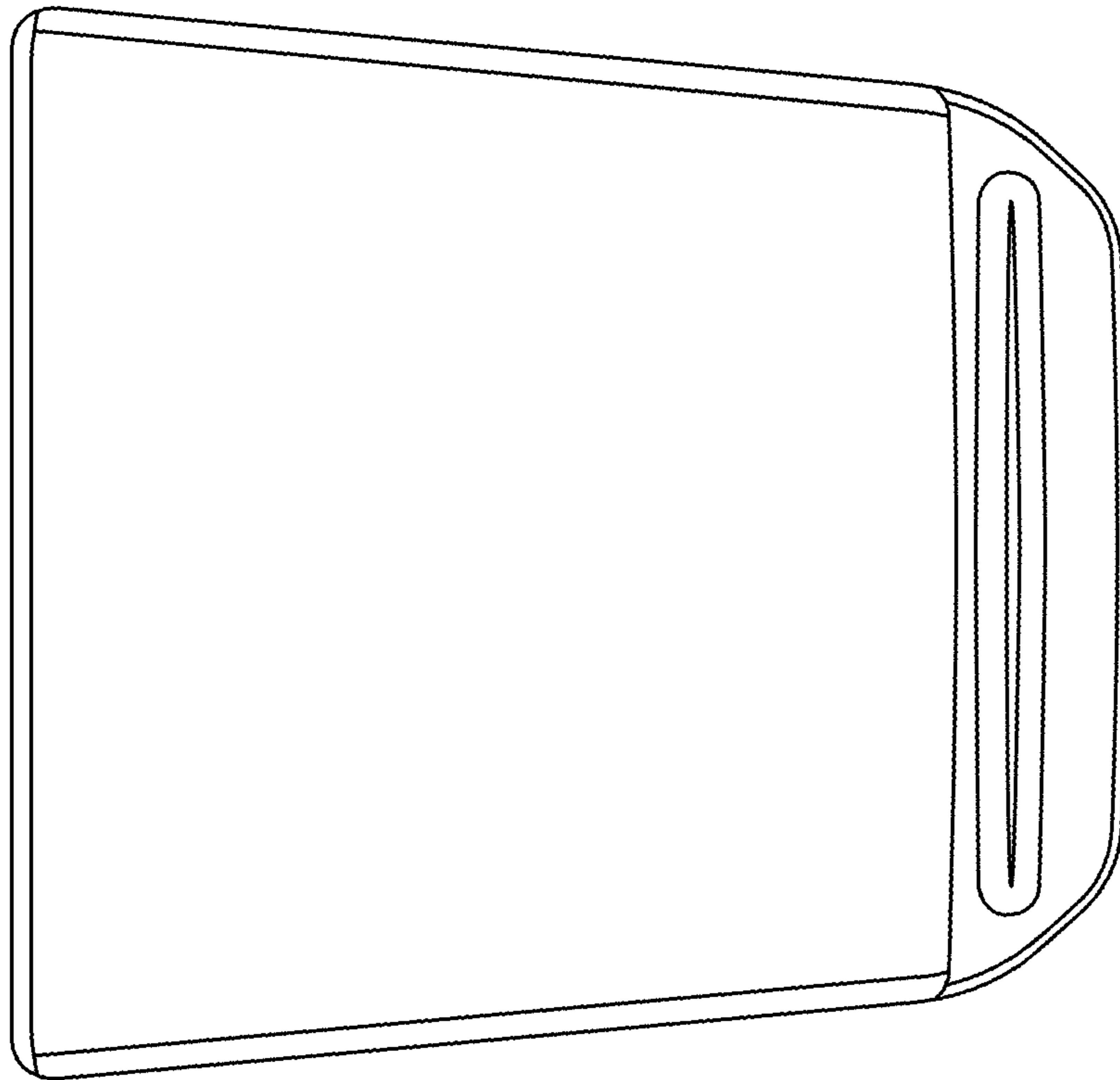


FIG. 12

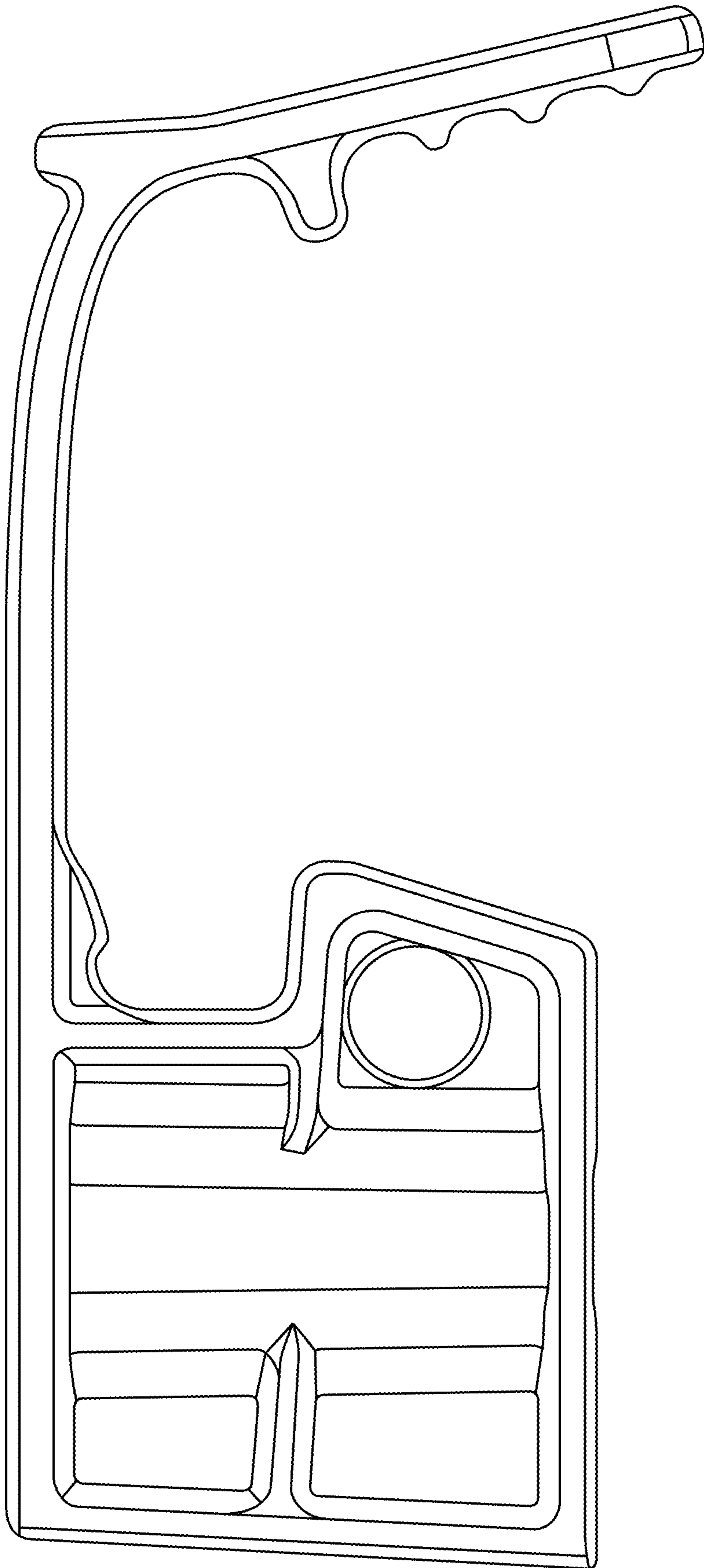


FIG. 13

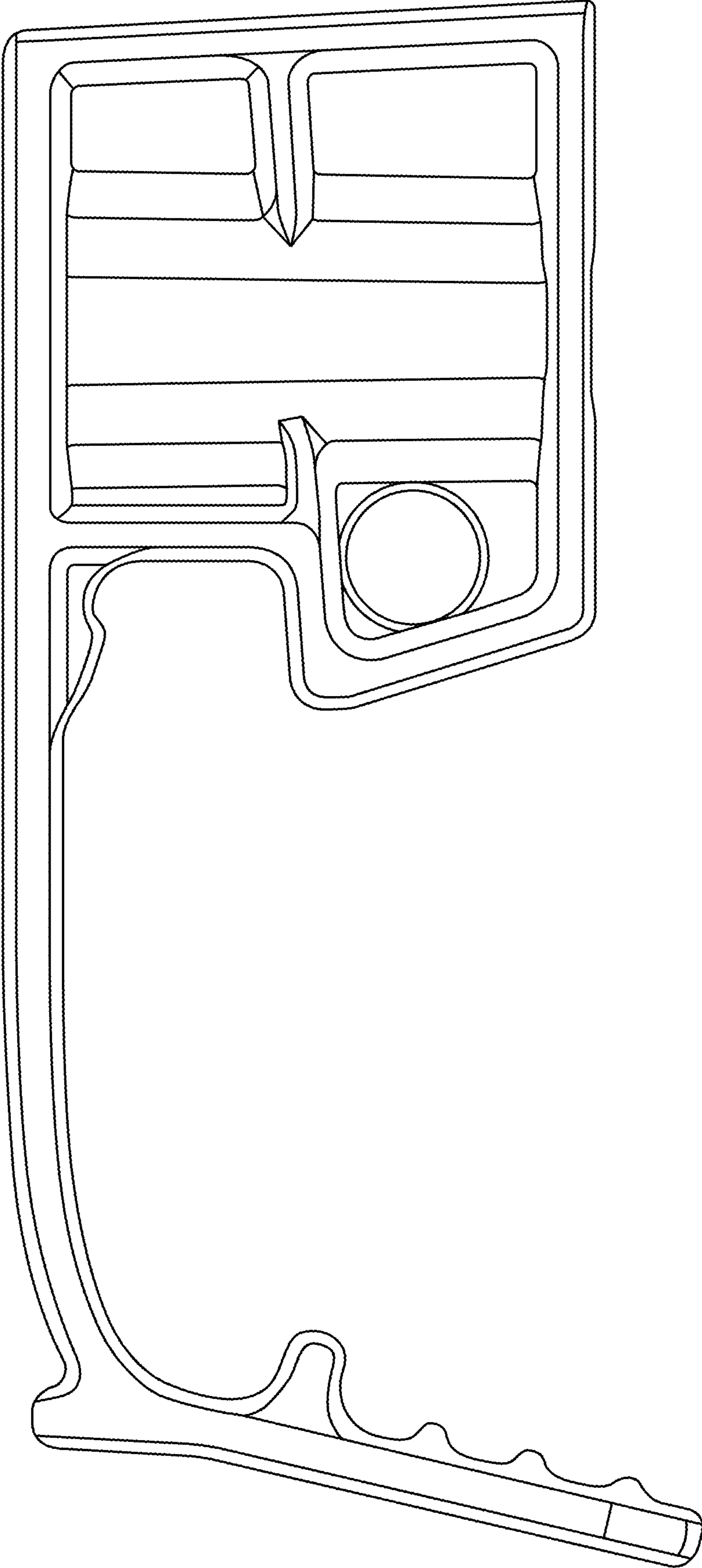


FIG. 14

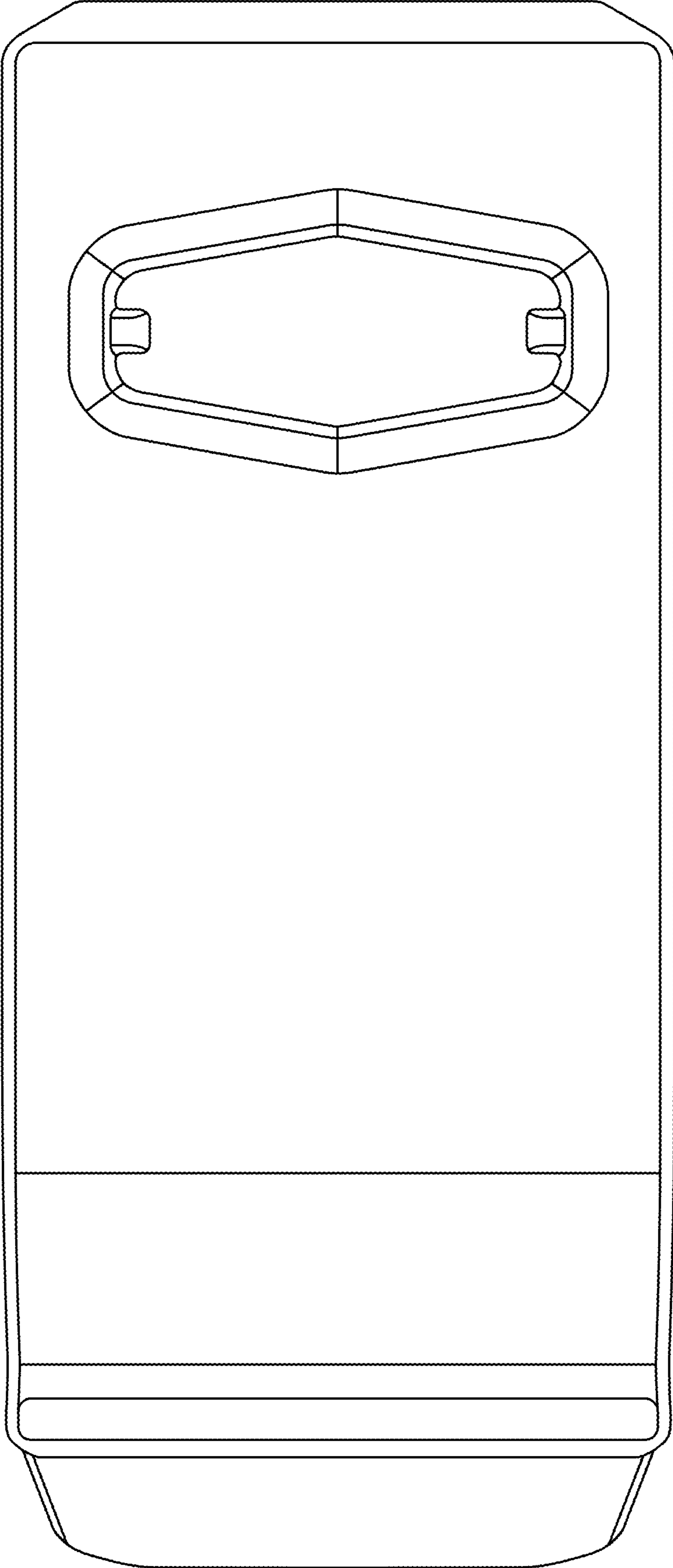


FIG. 15

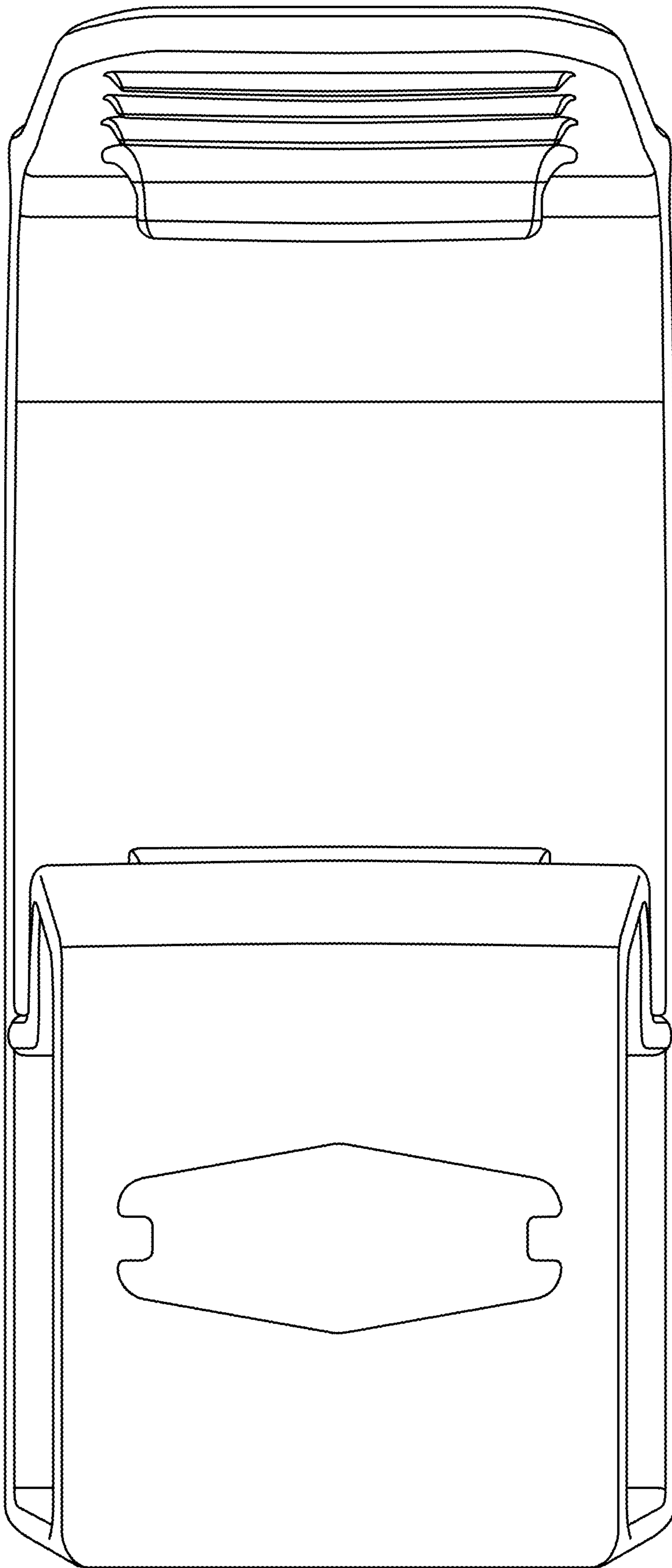


FIG. 16