



US00D988121S

(12) **United States Design Patent**
Sang

(10) **Patent No.:** **US D988,121 S**

(45) **Date of Patent:** **** Jun. 6, 2023**

(54) **SHELF BRACKET**

(71) Applicant: **Yongfeng Sang**, Anhui (CN)

(72) Inventor: **Yongfeng Sang**, Anhui (CN)

(**) Term: **15 Years**

(21) Appl. No.: **29/803,064**

(22) Filed: **Aug. 10, 2021**

(30) **Foreign Application Priority Data**

Jul. 9, 2021 (EM) 008609325-0001

(51) **LOC (14) Cl.** **08-05**

(52) **U.S. Cl.**
USPC **D8/381**

(58) **Field of Classification Search**
USPC D8/380, 349, 354, 373, 381, 371, 382,
D8/394; D6/567, 512, 553, 574, 672,
D6/675, 682, 682.1, 683, 518-522, 566,
D6/513
CPC .. B65D 25/22; B65D 5/4208; B65D 83/0894;
A47G 29/08
See application file for complete search history.

(56) **References Cited**

U.S. PATENT DOCUMENTS

- 2,263,956 A * 11/1941 Russell B60R 7/084
248/905
- 2,325,712 A * 8/1943 Shurmur A47J 47/16
248/312.1
- 2,678,184 A * 5/1954 Erdody A47J 47/16
248/302
- 2,986,366 A * 5/1961 Wesson H04N 5/64
248/200.1
- 2,991,036 A * 7/1961 Morgan A47G 1/17
248/905

- 2,992,805 A * 7/1961 Weldon A45D 27/29
248/314
- D267,699 S * 1/1983 Prawl D8/380
- 4,444,358 A * 4/1984 Spohn B60S 1/50
D8/395
- D284,721 S * 7/1986 Carter D6/567
- D293,182 S * 12/1987 Carter D6/573
- D323,777 S * 2/1992 Knox, III 248/237
- D394,377 S * 5/1998 Najewski D8/354
- 6,769,659 B1 * 8/2004 Martello B60N 3/103
248/205.2
- D575,091 S * 8/2008 Ketelhut D6/518
- D631,735 S * 2/2011 Johnson D8/380
- D674,637 S * 1/2013 London D6/553
- D753,409 S * 4/2016 Gaschy D6/513
- D755,615 S * 5/2016 Kuehn D8/373
- D847,532 S * 5/2019 Grant D6/518
- D853,749 S * 7/2019 Kostjal D6/567
- D957,924 S * 7/2022 Hofer D8/380

* cited by examiner

Primary Examiner — Keli L Hill

Assistant Examiner — Harold E Blackwell, II

(57) **CLAIM**

The ornamental design for a shelf bracket, as shown and described.

DESCRIPTION

FIG. 1 is a perspective view of a shelf bracket design showing my new design.

FIG. 2 is a front view of a shelf bracket.

FIG. 3 is a rear view of a shelf bracket.

FIG. 4 is a left side view of a shelf bracket.

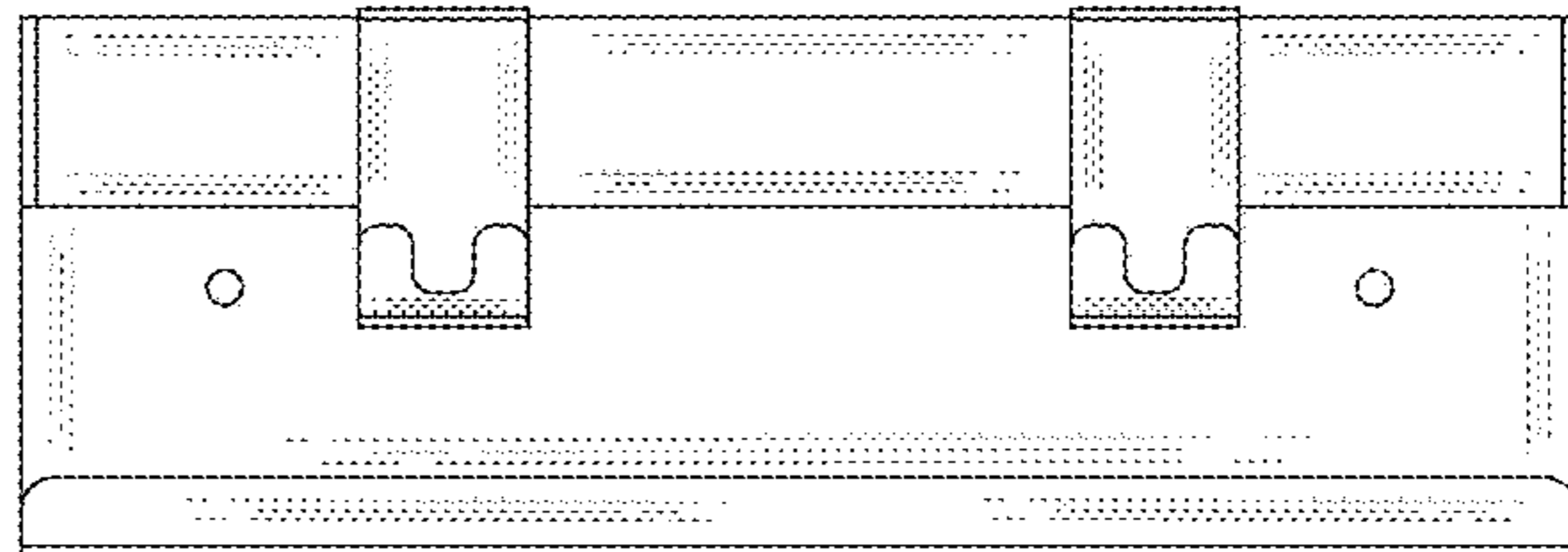
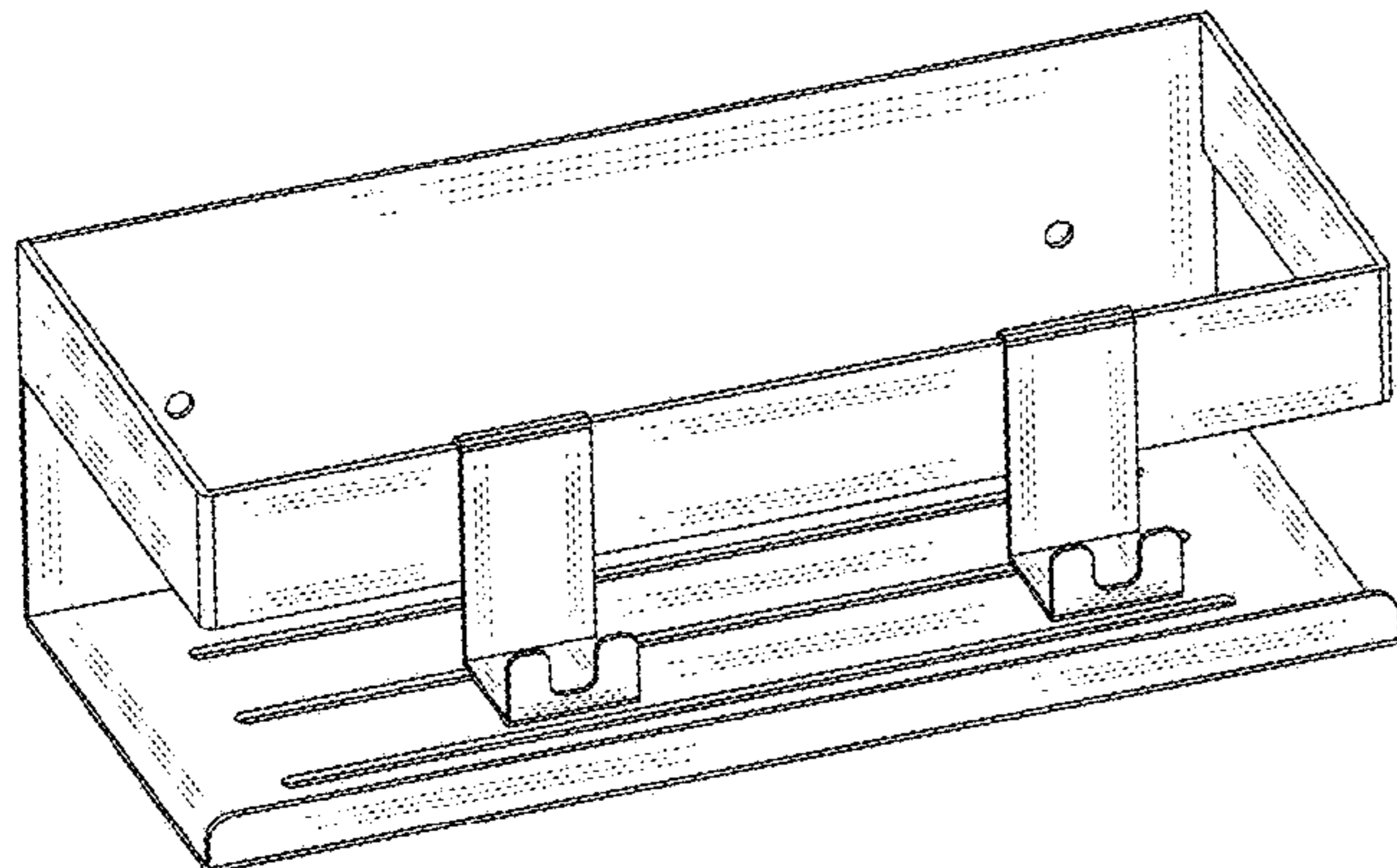
FIG. 5 is a right side view of a shelf bracket.

FIG. 6 is a top view of a shelf bracket; and,

FIG. 7 is a bottom view of a shelf bracket.

Any shading and cross-hatching are not features of the design but are utilized to illustrate the surface contours of the shelf bracket design in the drawings.

1 Claim, 7 Drawing Sheets



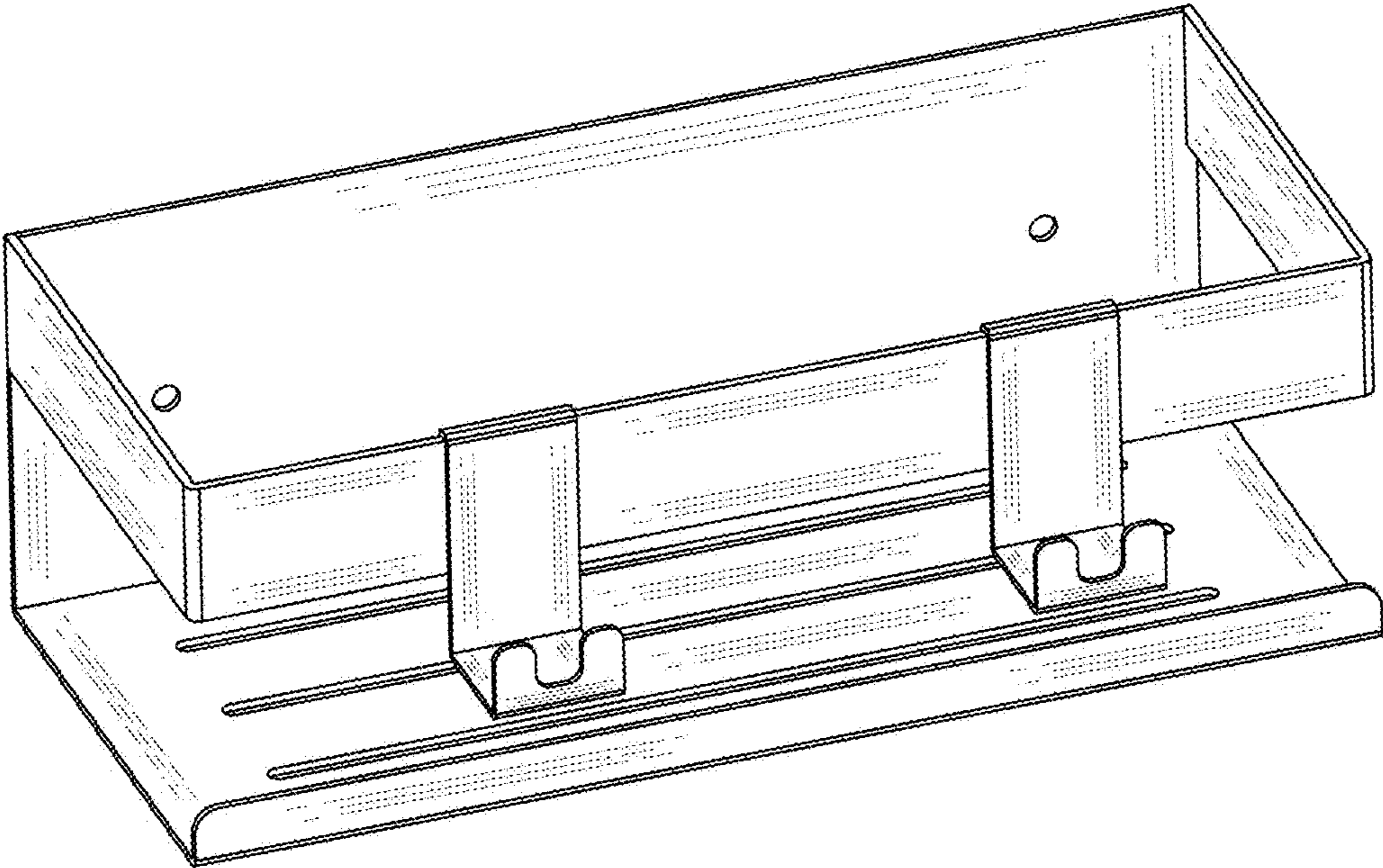


FIG. 1

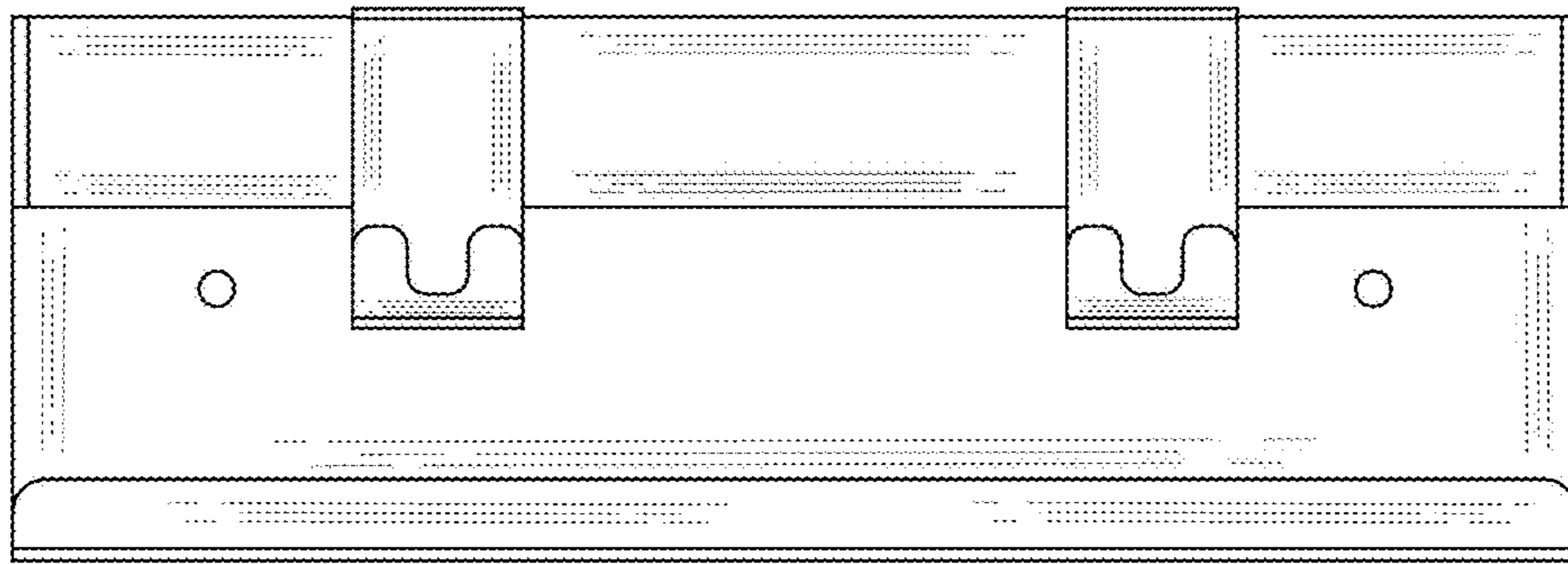


FIG. 2

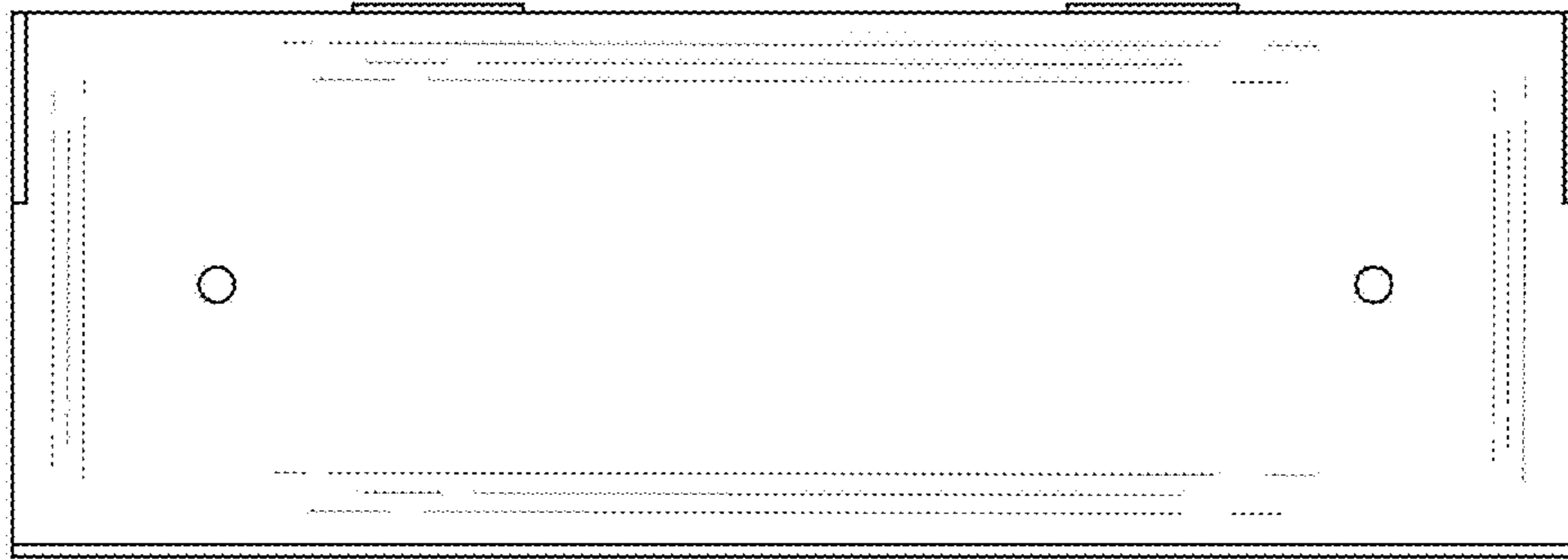


FIG. 3

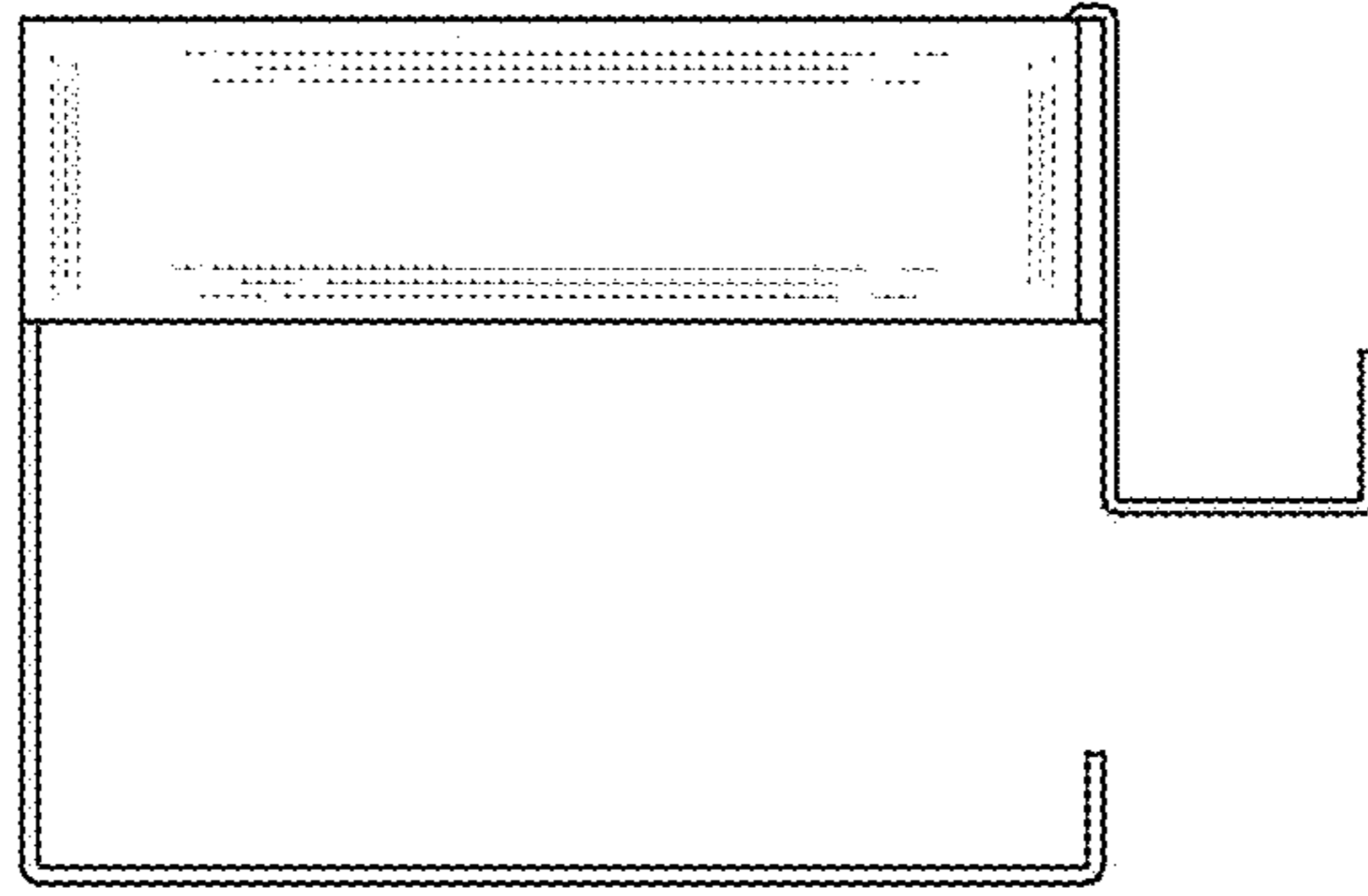


FIG. 4

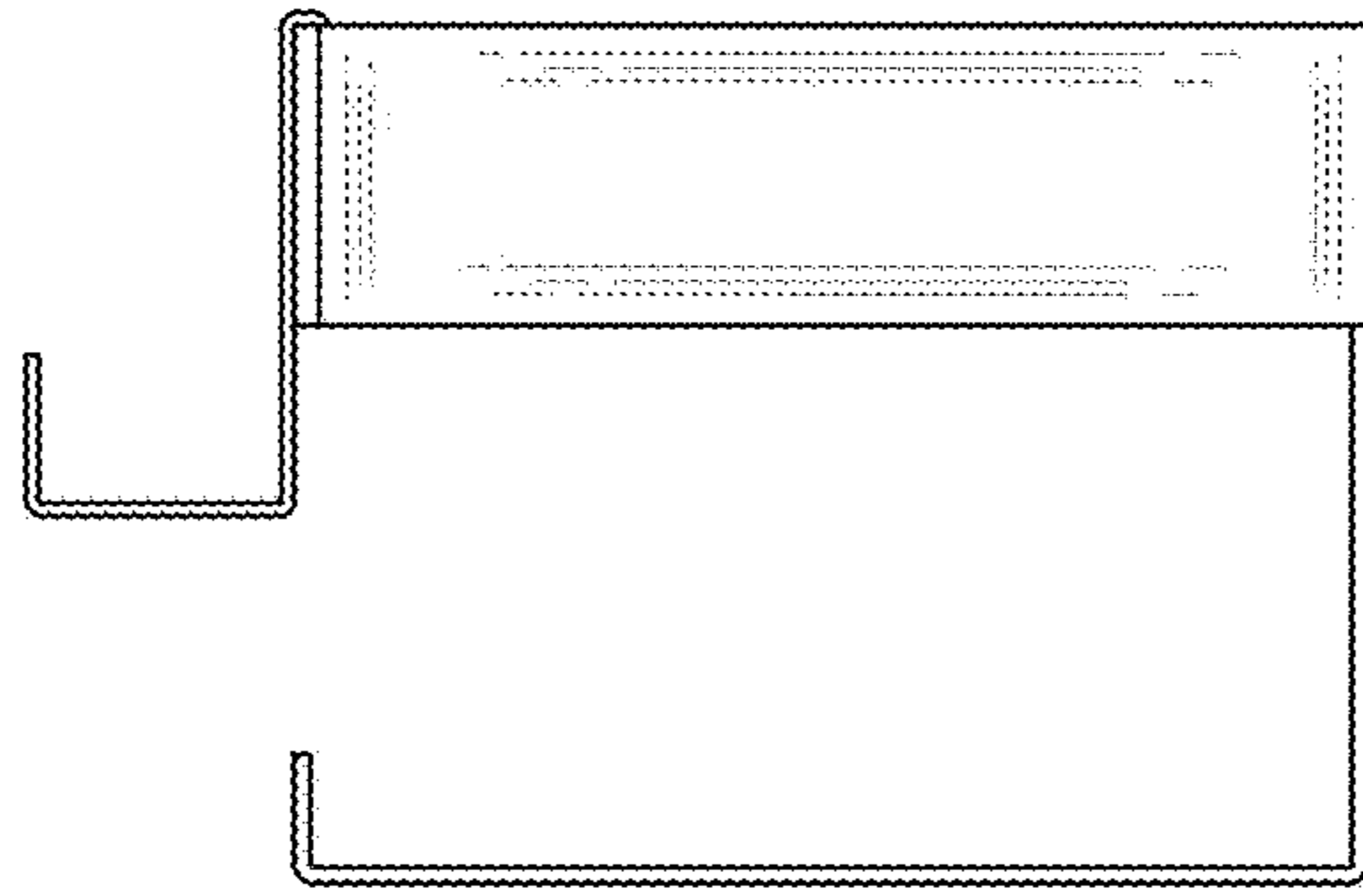


FIG. 5

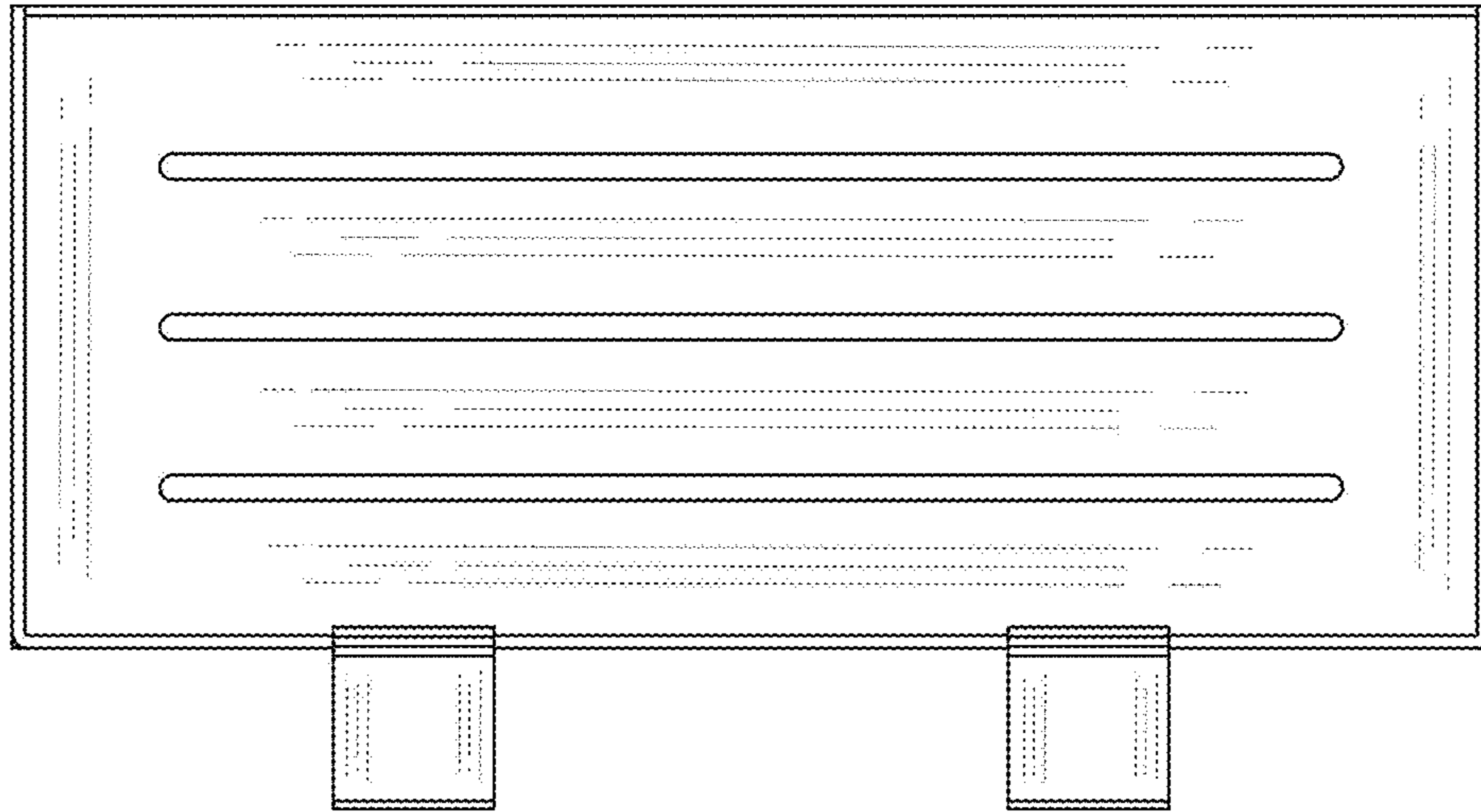


FIG. 6

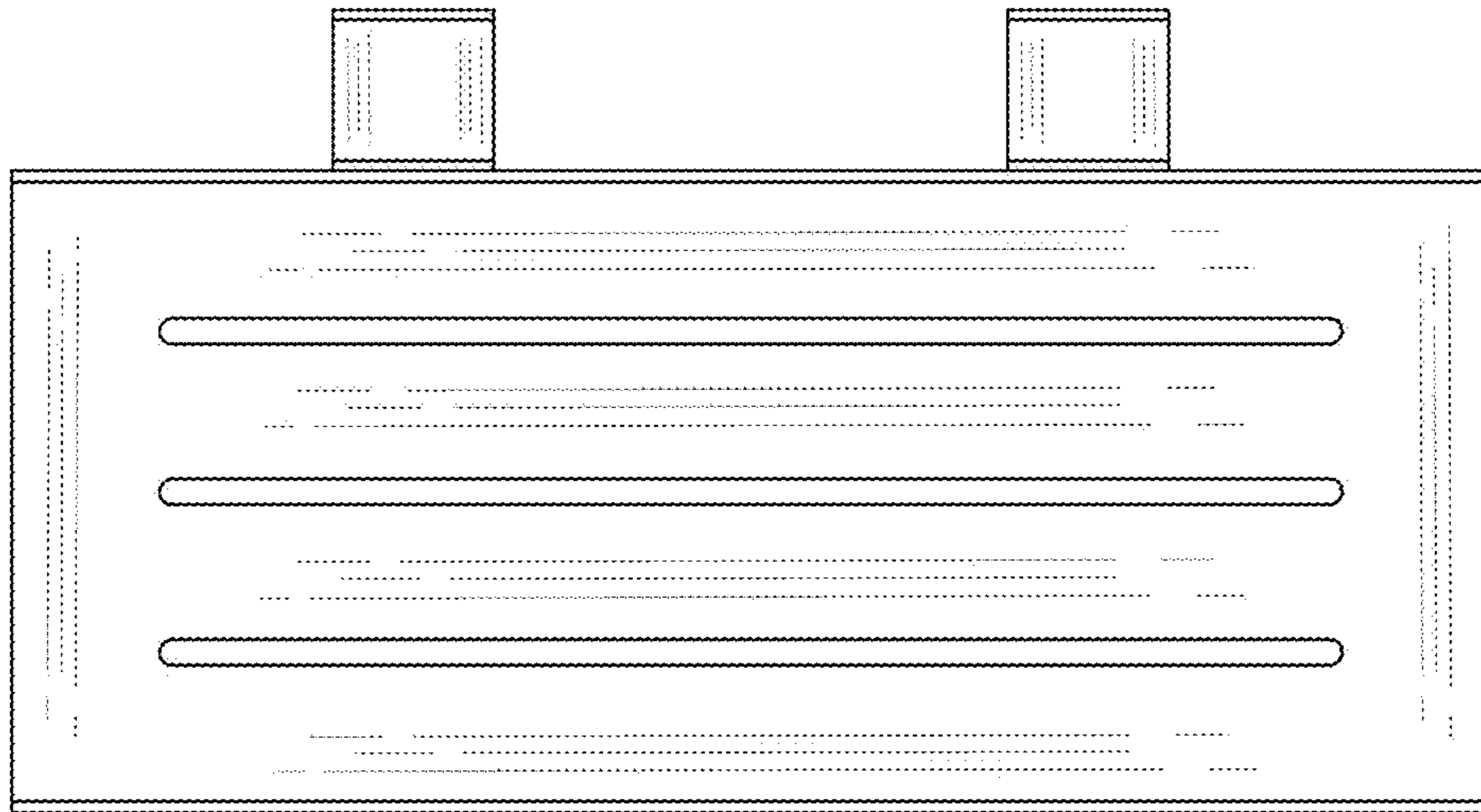


FIG. 7