



US00D988120S

(12) **United States Design Patent**
Hudson

(10) **Patent No.:** **US D988,120 S**

(45) **Date of Patent:** **** Jun. 6, 2023**

(54) **CROSS RAIL HOLDER**

(71) Applicant: **Dennis Hudson**, Fort Worth, TX (US)

(72) Inventor: **Dennis Hudson**, Fort Worth, TX (US)

(**) Term: **15 Years**

(21) Appl. No.: **29/808,749**

(22) Filed: **Sep. 22, 2021**

(51) **LOC (14) Cl.** **08-05**

(52) **U.S. Cl.**
USPC **D8/380**

(58) **Field of Classification Search**
USPC D8/355, 363, 366, 367, 371, 372, 373,
D8/400-499; D6/323, 324, 327, 328,
D6/524, 526, 531, 534, 538, 553, 529
CPC E05F 5/00; E05F 5/04; E05Y 2600/52
See application file for complete search history.

(56) **References Cited**

U.S. PATENT DOCUMENTS

- 305,776 A 9/1884 Amstutz
- 3,181,827 A * 5/1965 Sassin F16L 3/24
24/339
- 3,420,399 A * 1/1969 Heisler B65D 45/18
292/258
- D295,521 S * 5/1988 Mockett D25/124
- 4,831,688 A * 5/1989 Deininger E05F 5/00
292/288
- D318,608 S * 7/1991 Schenker D8/382
- D322,389 S * 12/1991 Harmon D8/371
- 5,673,903 A 10/1997 Lewis
- D442,076 S * 5/2001 Swanson D8/373
- D471,291 S 3/2003 Ammons
- D682,661 S * 5/2013 Fitzpatrick F16M 13/02
D8/373

- D721,498 S * 1/2015 Holt D3/318
- 9,033,314 B1 5/2015 Roddy
- D753,472 S * 4/2016 Pan D8/371
- 9,334,674 B1 5/2016 Churnick
- D809,905 S * 2/2018 Gunderson D8/371
- D857,610 S * 8/2019 Meldrum D12/415
- D885,481 S * 5/2020 Tung D19/75
- D890,085 S * 7/2020 Baird D13/102
- D892,106 S * 8/2020 Ji D8/382
- D904,790 S * 12/2020 Zhong D6/549
- D907,024 S * 1/2021 Ji D8/382
- D947,657 S * 4/2022 Grindley D8/367
- 2009/0320237 A1 * 12/2009 Kersting E05F 5/06
16/82
- 2014/0138891 A1 5/2014 Perry

FOREIGN PATENT DOCUMENTS

WO WO2015041524 3/2015

* cited by examiner

Primary Examiner — Keli L Hill

Assistant Examiner — Harold E Blackwell, II

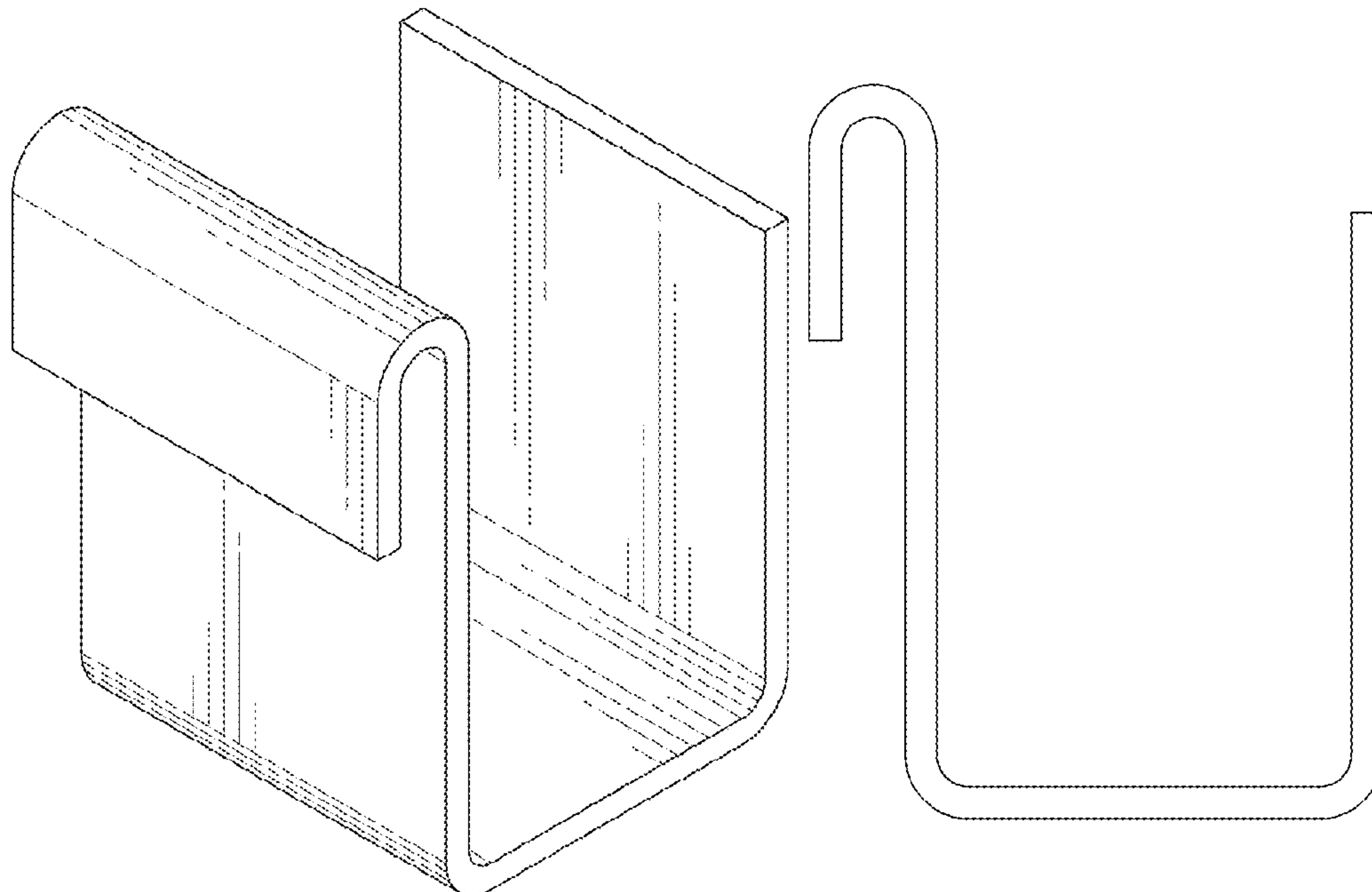
(57) **CLAIM**

The ornamental design for a cross rail holder, as shown and described.

DESCRIPTION

FIG. 1 is a top front side perspective view of a cross rail holder showing my new design;
FIG. 2 is a front view of the cross rail holder;
FIG. 3 is a rear view of the cross rail holder;
FIG. 4 is a right side view of the cross rail holder;
FIG. 5 is a left side view of the cross rail holder;
FIG. 6 is a top view of the cross rail holder; and,
FIG. 7 is a bottom view of the cross rail holder.

1 Claim, 2 Drawing Sheets



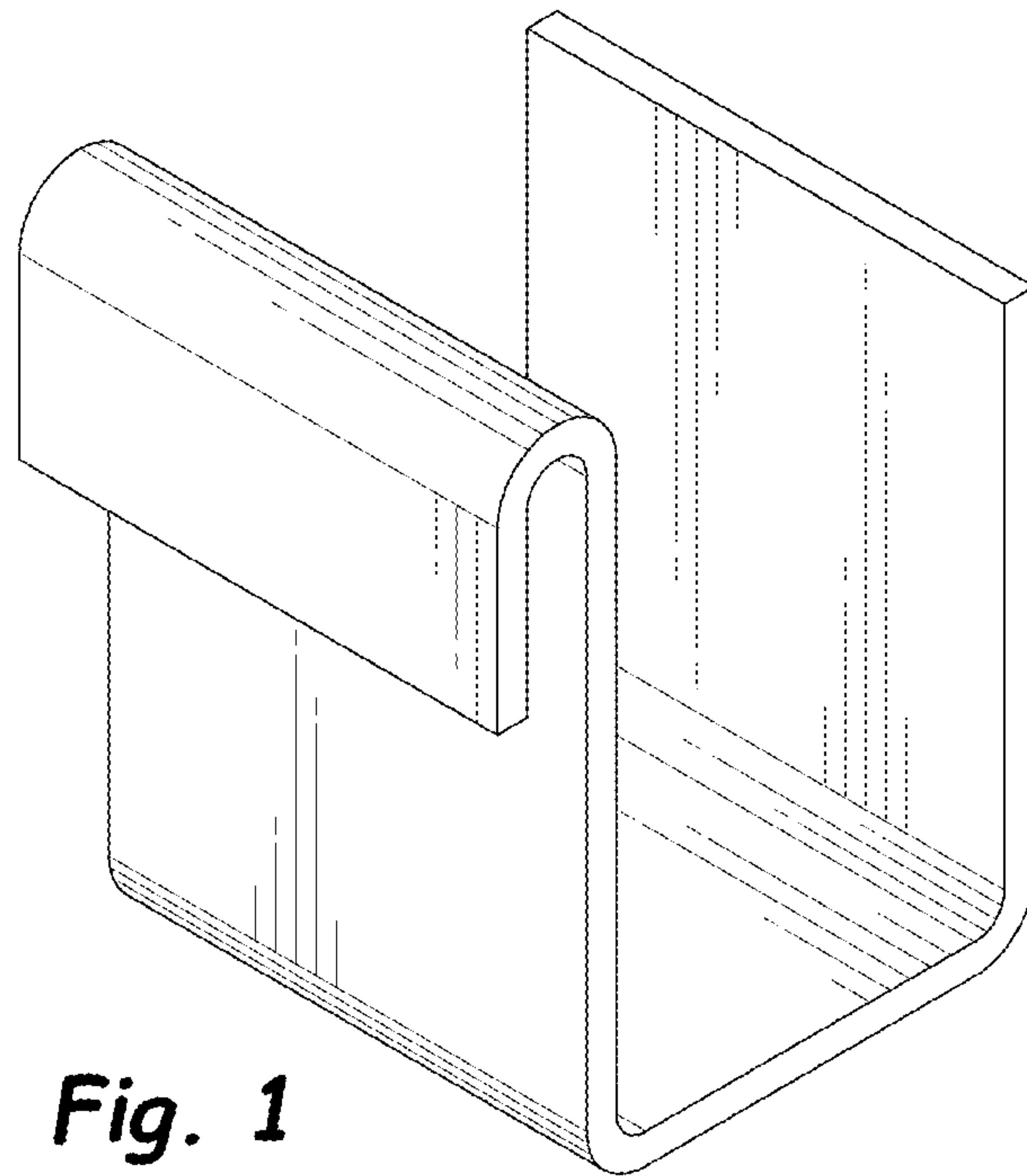


Fig. 1

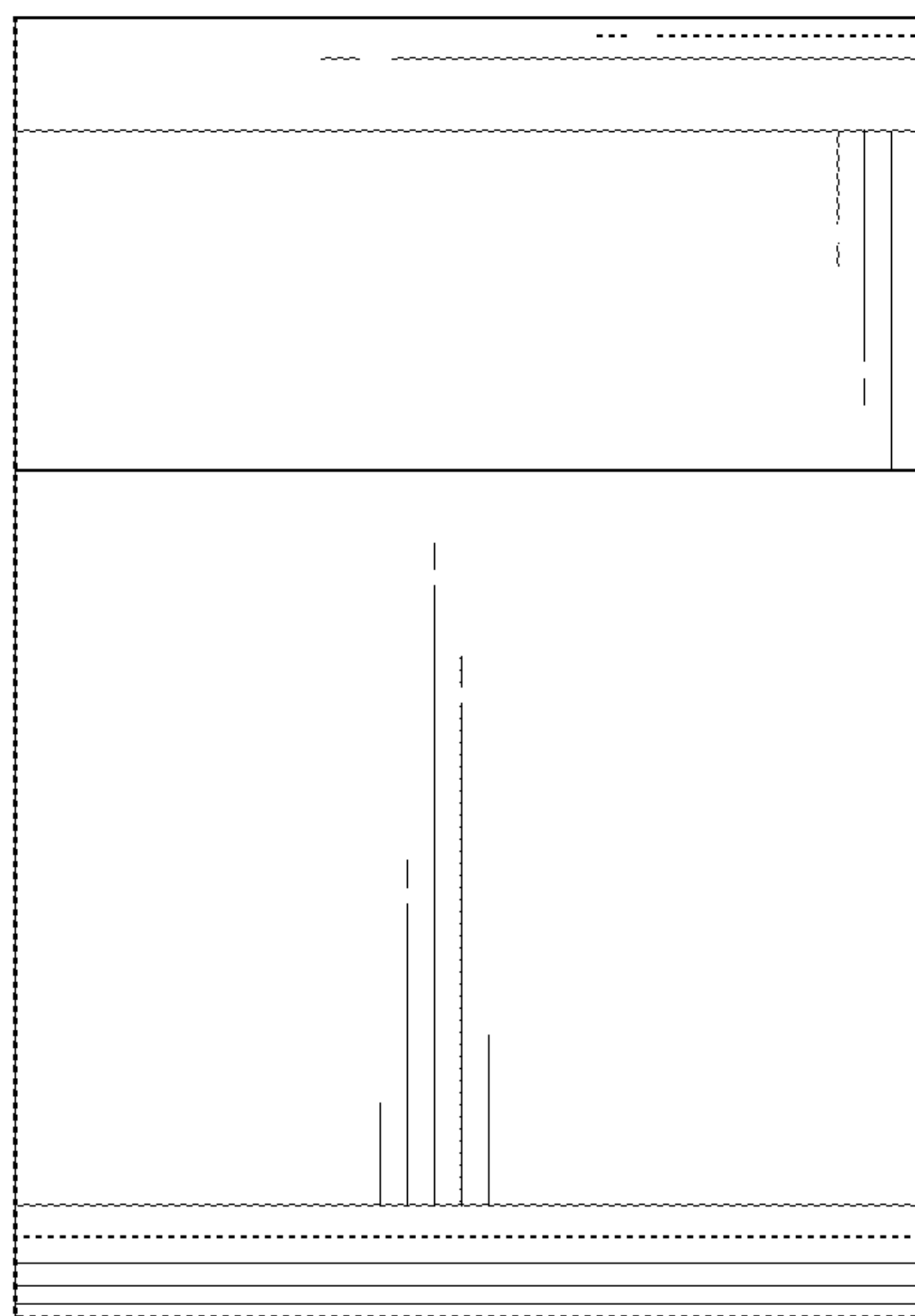


Fig. 2

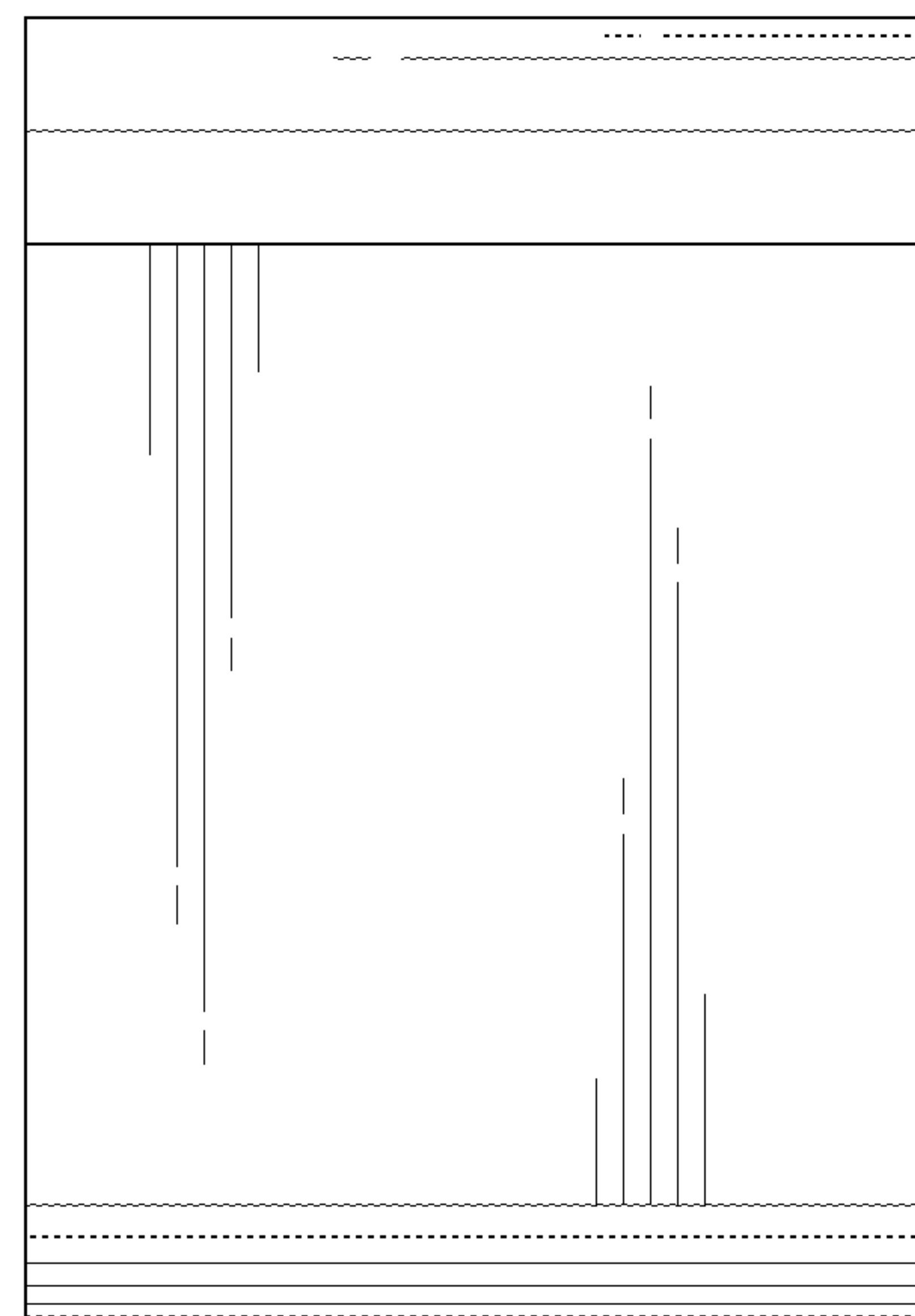


Fig. 3

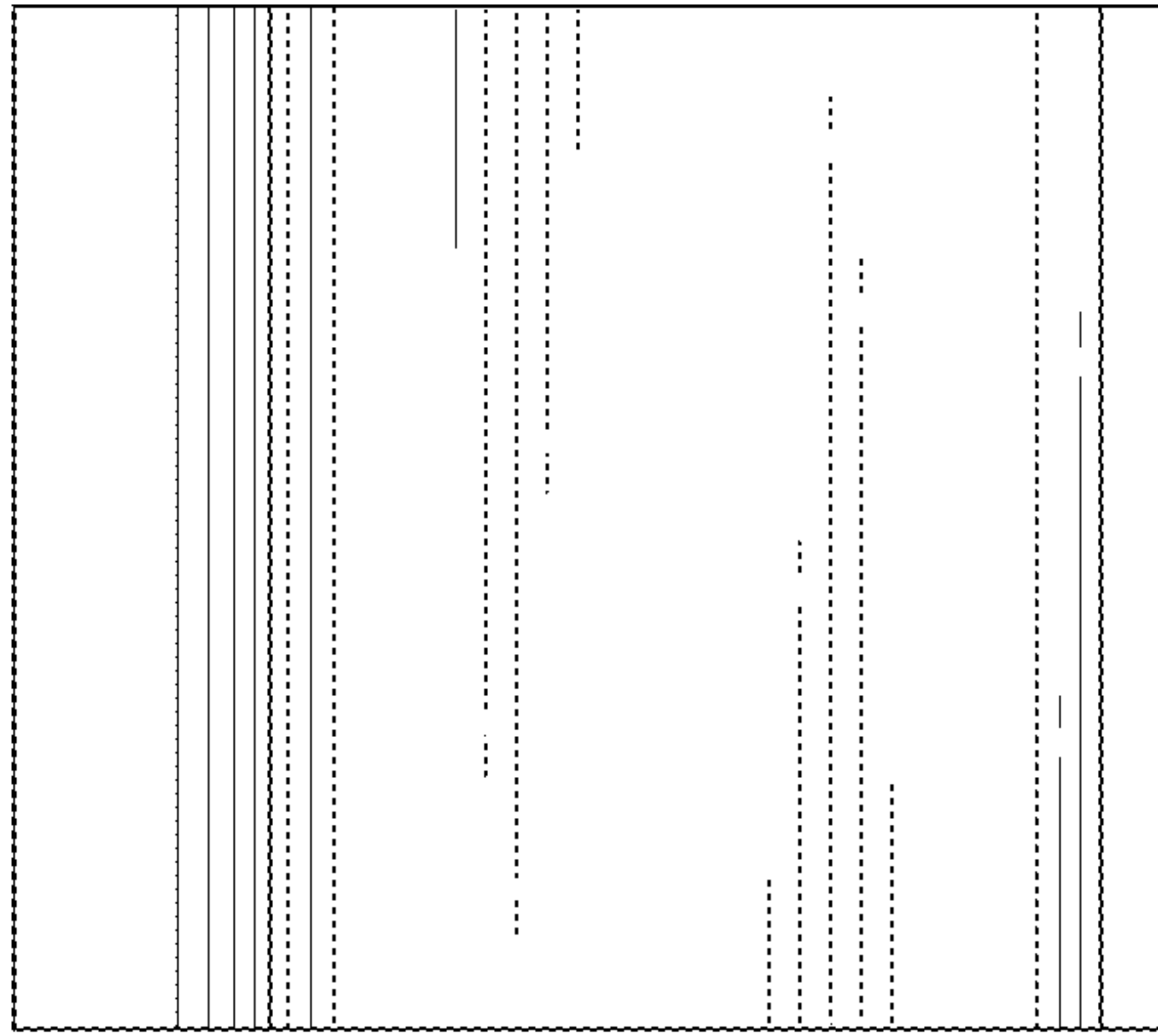


Fig. 6

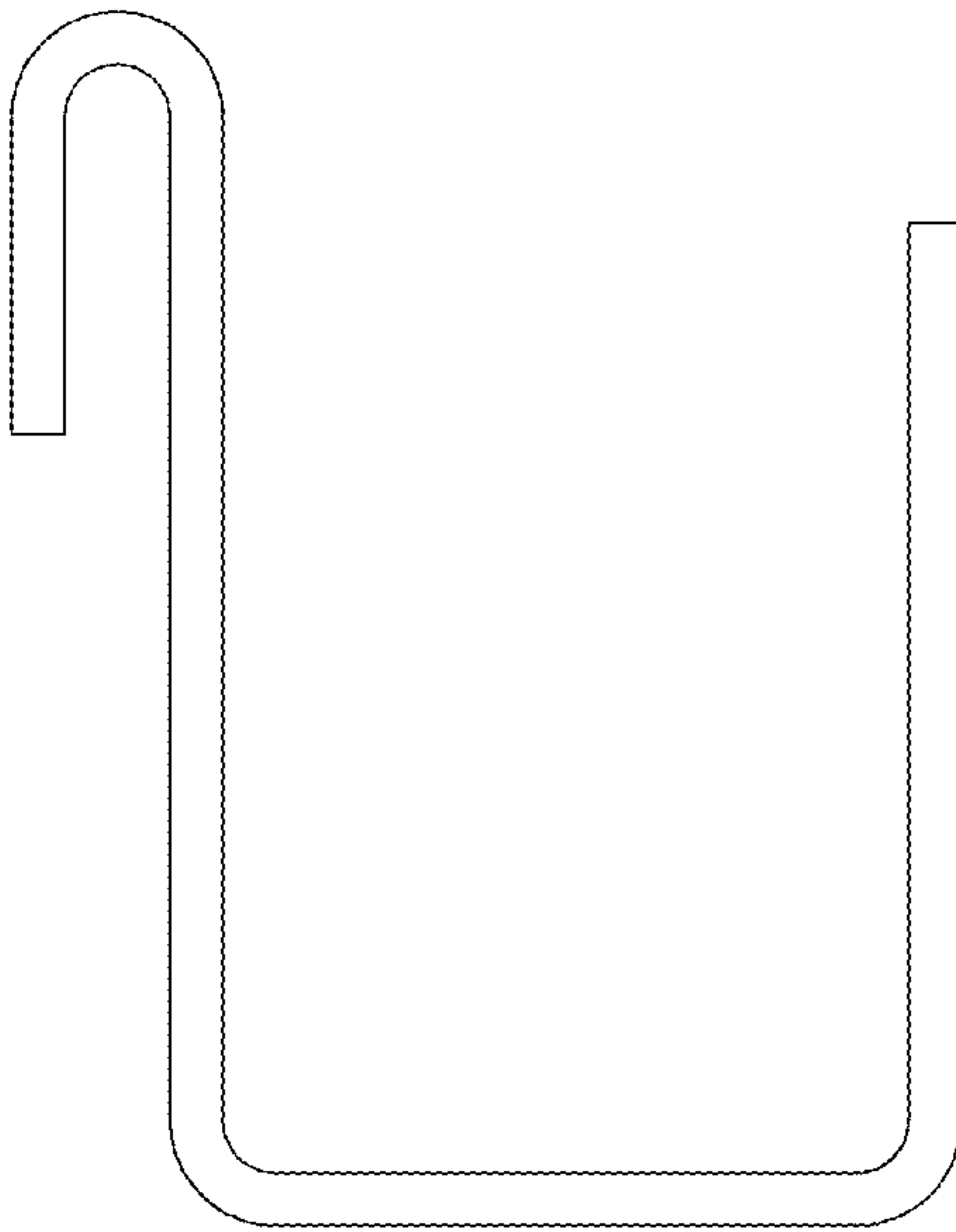


Fig. 4

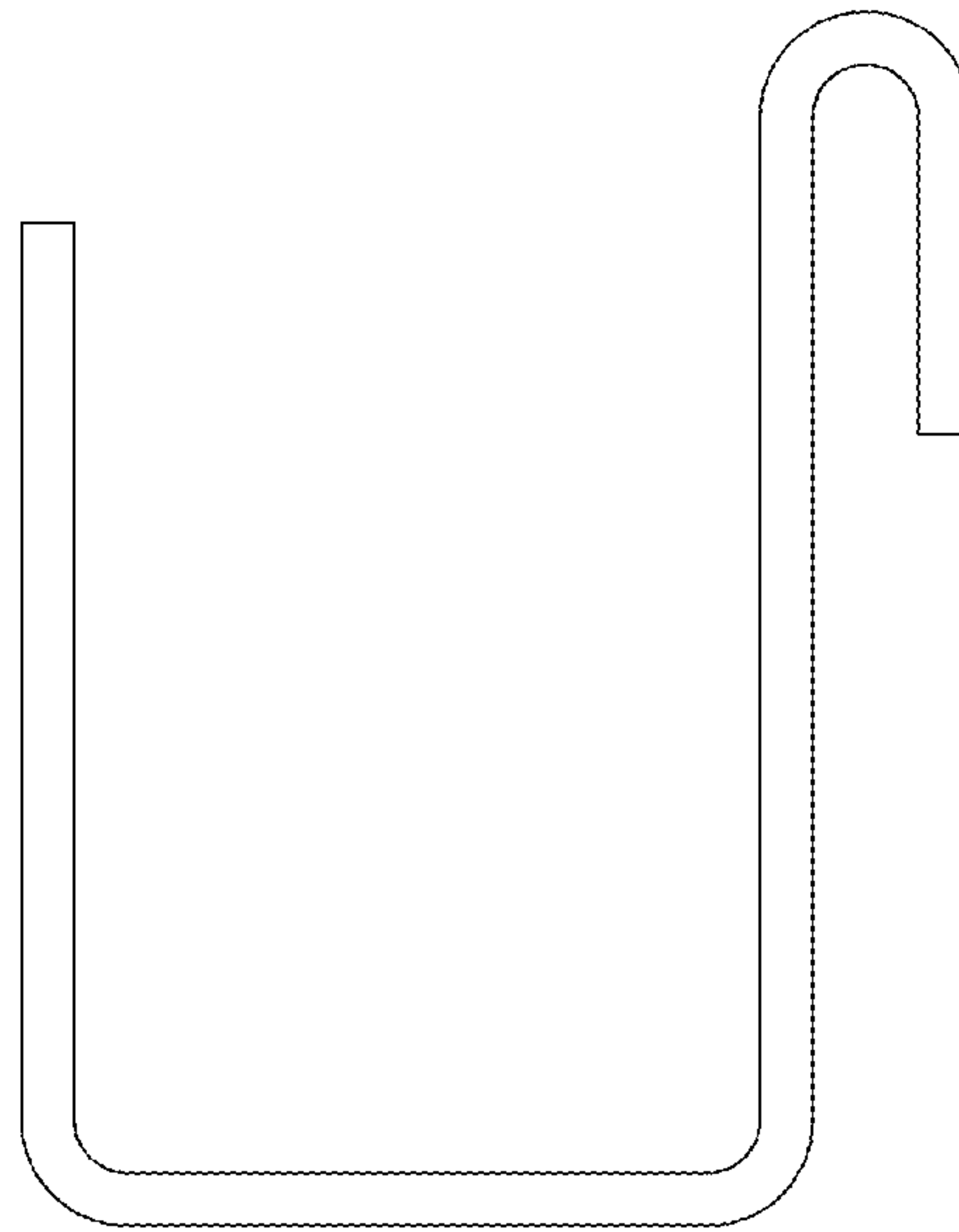


Fig. 5

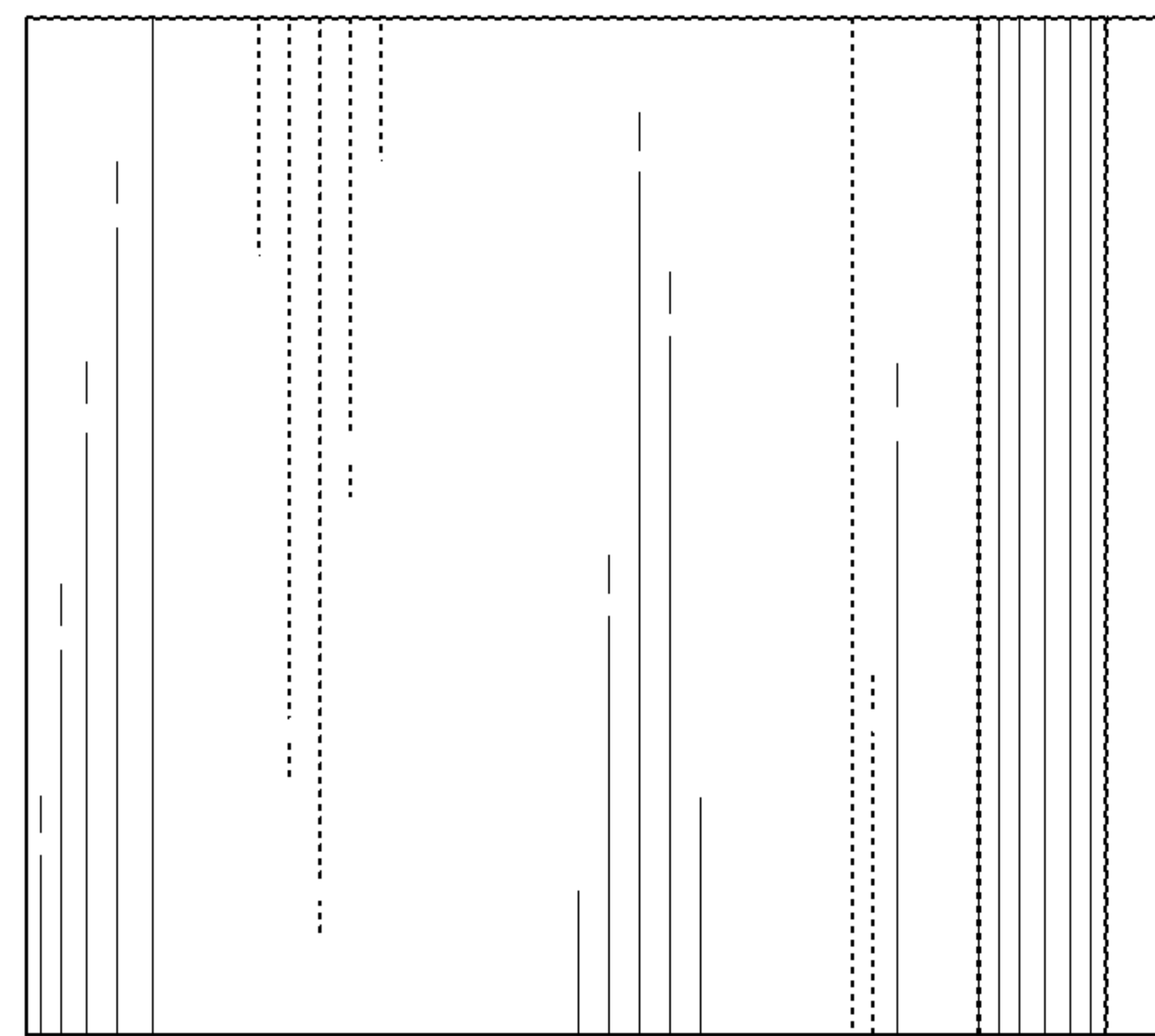


Fig. 7