



US00D988119S

(12) **United States Design Patent**
Chen

(10) **Patent No.:** **US D988,119 S**
(45) **Date of Patent:** **** Jun. 6, 2023**

- (54) **CASTER WHEEL**
- (71) Applicant: **Shenzhen LiHuaShengHui Network Technology Co., Ltd., Shenzhen (CN)**
- (72) Inventor: **Shilong Chen, Longhui County (CN)**
- (*) Notice: Patent file contains an affidavit/declaration under 37 CFR 1.130(b).
- (**) Term: **15 Years**
- (21) Appl. No.: **29/834,178**
- (22) Filed: **Apr. 11, 2022**
- (51) **LOC (14) Cl.** **08-11**
- (52) **U.S. Cl.**
USPC **D8/375**
- (58) **Field of Classification Search**
USPC D8/15-16, 19-20, 72-74, 300, 303, D8/306-308, 313, 315, 321, 349-350, D8/354-355, 373-378, 363, 382-383, D8/387, 393, 61, 88-89, 14, 367-370
CPC B60B 33/00; B60B 33/08; B60B 33/0042; B60B 19/14; B60B 9/02; B60B 33/0002; B60B 33/0028
See application file for complete search history.

D733,541 S *	7/2015	Fan	D8/375
D735,022 S *	7/2015	Fan	D8/375
D736,608 S *	8/2015	Fan	D8/375
D739,216 S *	9/2015	Cole	D8/375
D754,569 S *	4/2016	Da Cunha	D12/131
D792,198 S *	7/2017	Cmich	D8/375
D802,930 S *	11/2017	Morszeck	D8/375
D802,931 S *	11/2017	Morszeck	D8/375
D802,932 S *	11/2017	Morszeck	D8/375
D802,933 S *	11/2017	Morszeck	D8/375
D863,769 S *	10/2019	Gulrajani	D8/375
D897,683 S *	10/2020	Chen	D8/375
D901,182 S *	11/2020	Chen	D8/375
D901,283 S *	11/2020	Chen	D8/375
D917,945 S *	5/2021	DeVries	D6/708.24
D936,466 S *	11/2021	Hozumi	D8/375

(Continued)

OTHER PUBLICATIONS

Homhoo Spring Loaded Gate Casters, Date Visited: Sep. 19, 2022, Amazon, Date Available: Apr. 13, 2021, <https://www.amazon.com/Homhoo-Spring-Loaded-Casters-Hardware> (Year: 2021).*

Primary Examiner — Karen S Acker
Assistant Examiner — Elizabeth S Ko

(57) **CLAIM**

The ornamental design for a caster wheel, as shown and described.

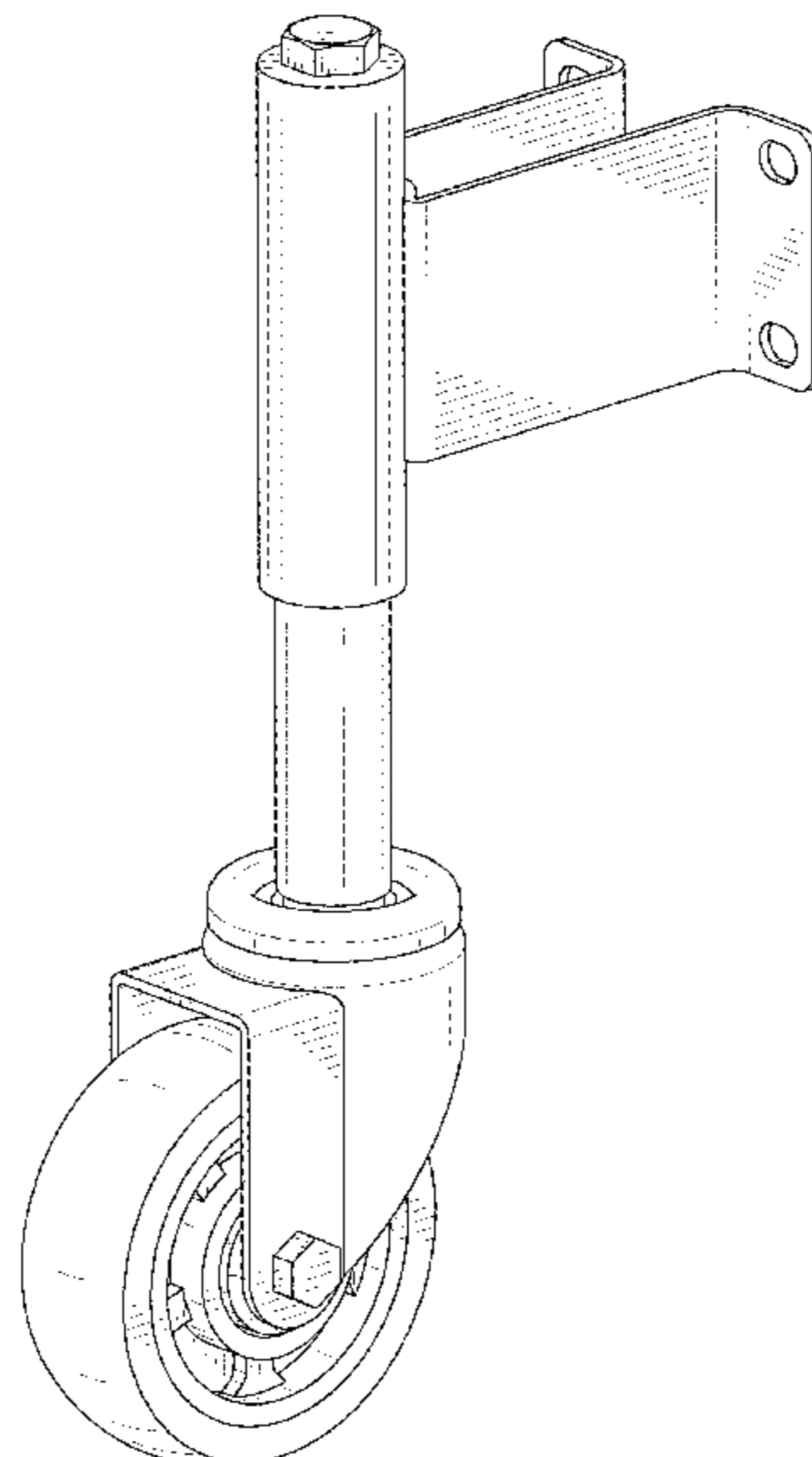
DESCRIPTION

FIG. 1 is a front and top perspective view of a caster wheel, showing my new design;
FIG. 2 is a rear and bottom perspective view thereof;
FIG. 3 is a front elevation view thereof;
FIG. 4 is a rear elevation view thereof;
FIG. 5 is a left side elevation view thereof;
FIG. 6 is a right side elevation view thereof;
FIG. 7 is a top plan view thereof; and,
FIG. 8 is a bottom plan view thereof.

1 Claim, 8 Drawing Sheets

(56) **References Cited**
U.S. PATENT DOCUMENTS

D463,257 S *	9/2002	Stickel	D8/375
D476,484 S *	7/2003	Santy	D3/318
D557,121 S *	12/2007	Screen	D8/375
D557,122 S *	12/2007	Screen	D8/375
D557,123 S *	12/2007	Screen	D8/375
D557,596 S *	12/2007	Screen	D8/375
D557,900 S *	12/2007	Sijmons	D3/318
D725,459 S *	3/2015	Schulz	D8/375
D728,354 S *	5/2015	Fan	D8/375
D729,051 S *	5/2015	Fan	D8/375
D731,297 S *	6/2015	Bitterlich	D8/375
D731,878 S *	6/2015	Lindsay	D8/375



(56)

References Cited

U.S. PATENT DOCUMENTS

D941,666 S *	1/2022	Hozumi	D8/375
D941,667 S *	1/2022	Hozumi	D8/375
D958,638 S *	7/2022	Ivanov	D8/375
D958,639 S *	7/2022	Walter	D8/375

* cited by examiner

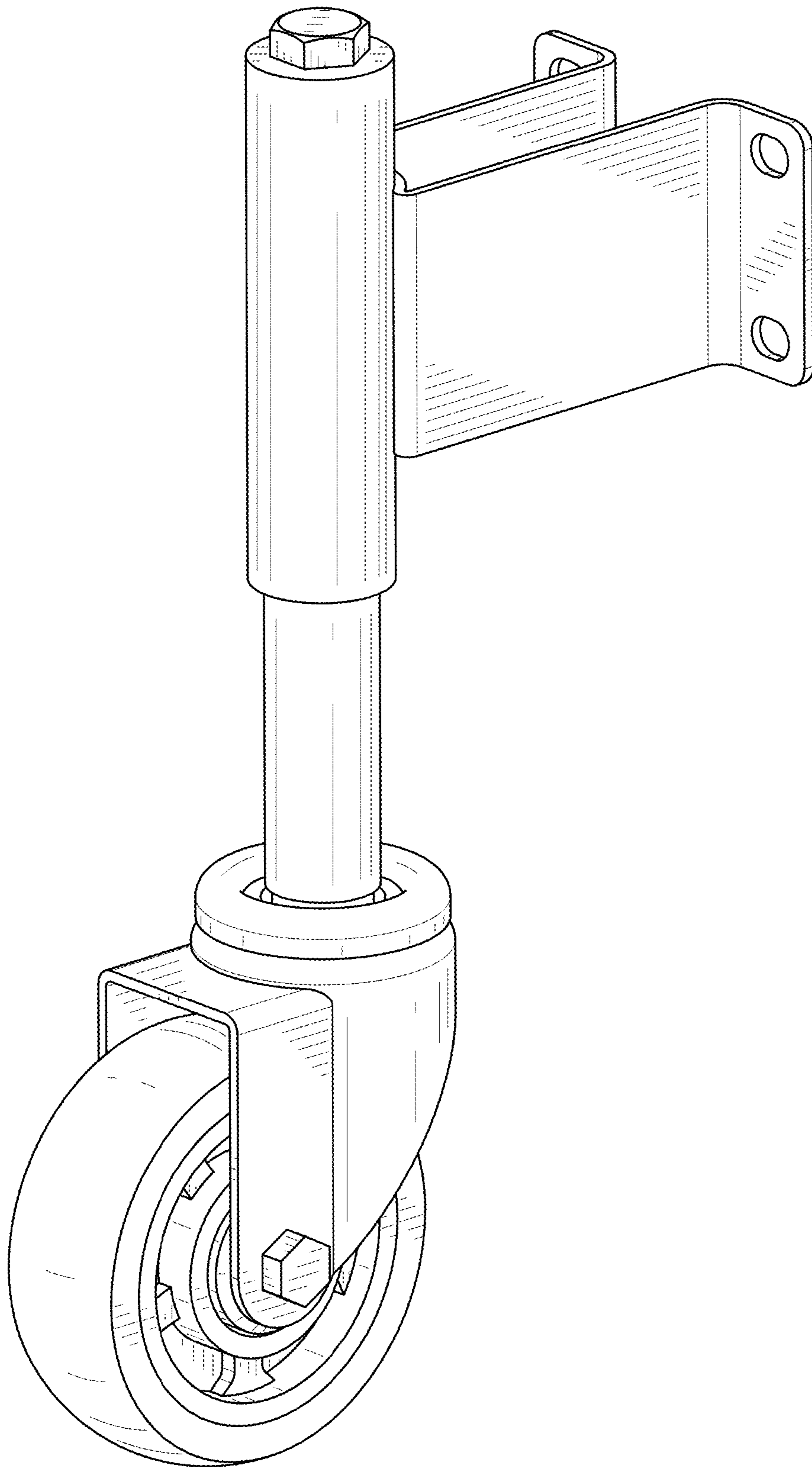


FIG. 1

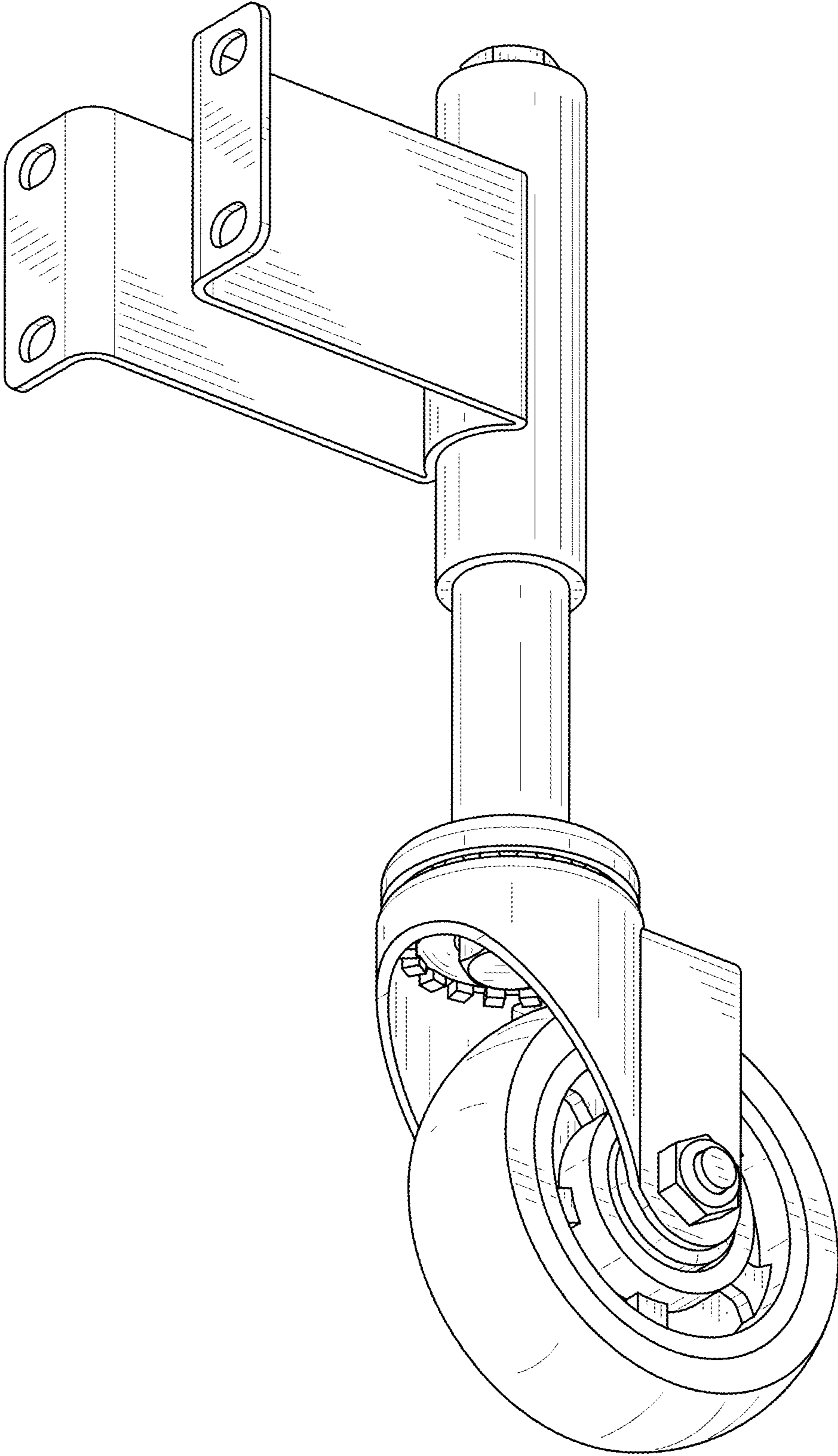


FIG. 2

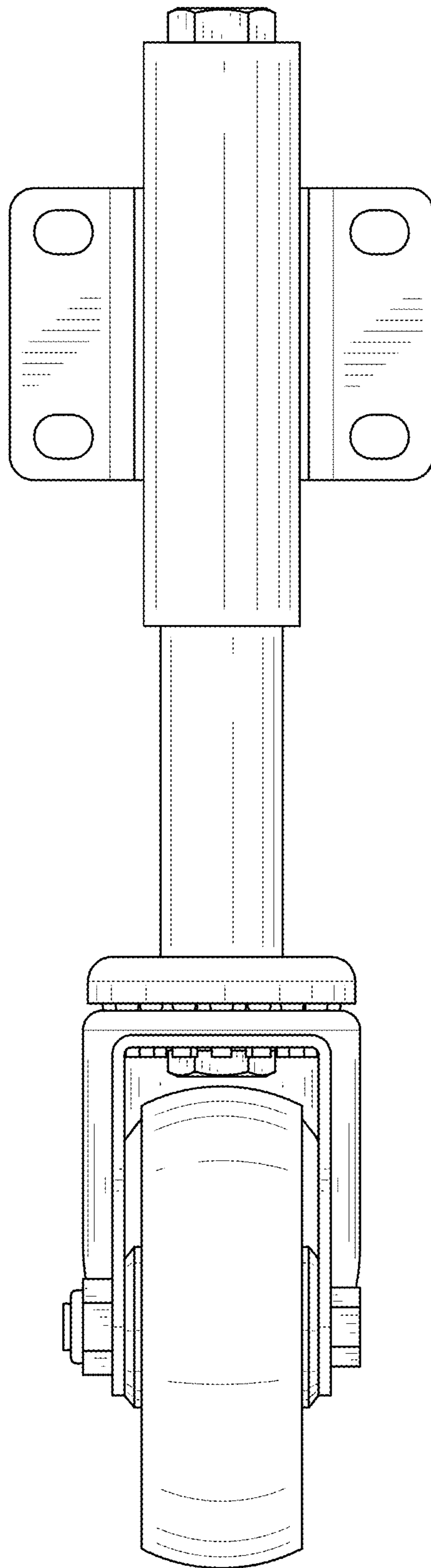


FIG. 3

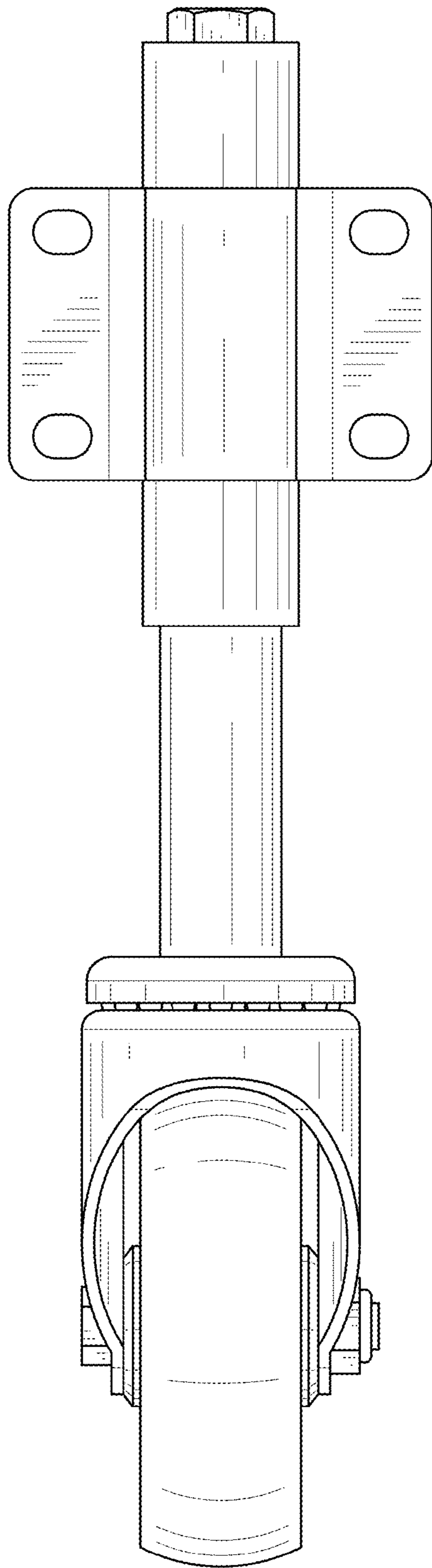


FIG. 4

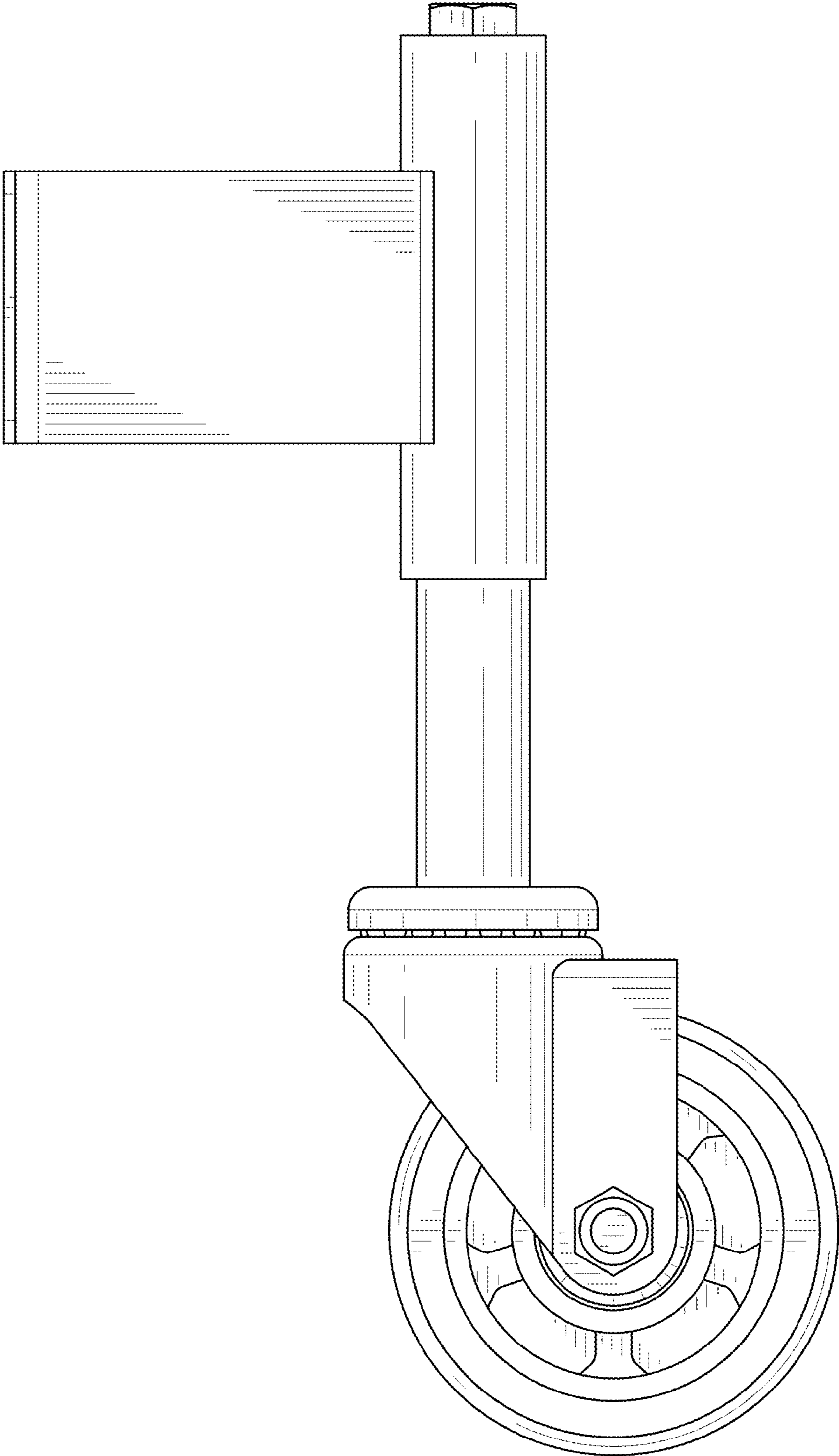


FIG. 5

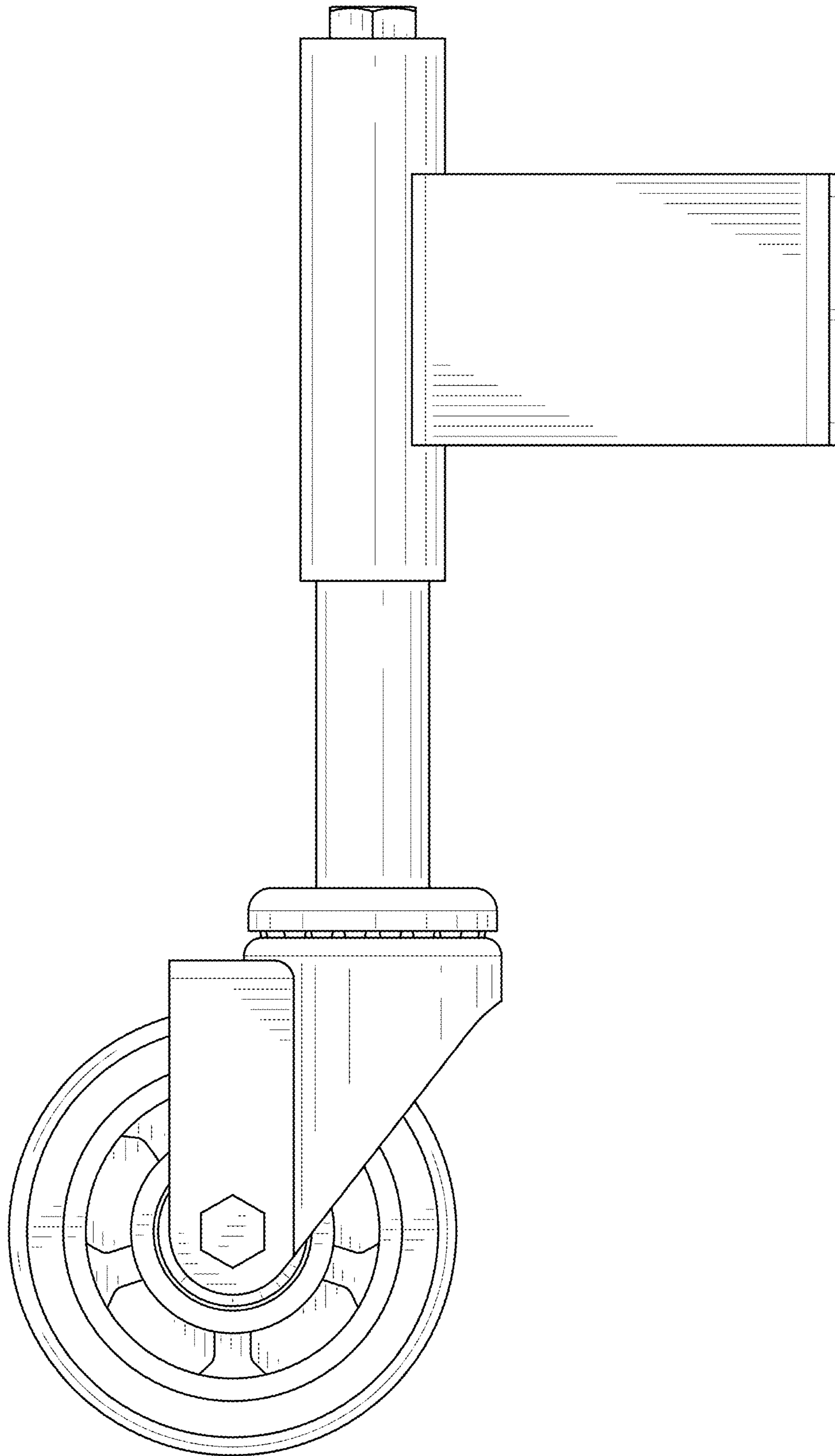


FIG. 6

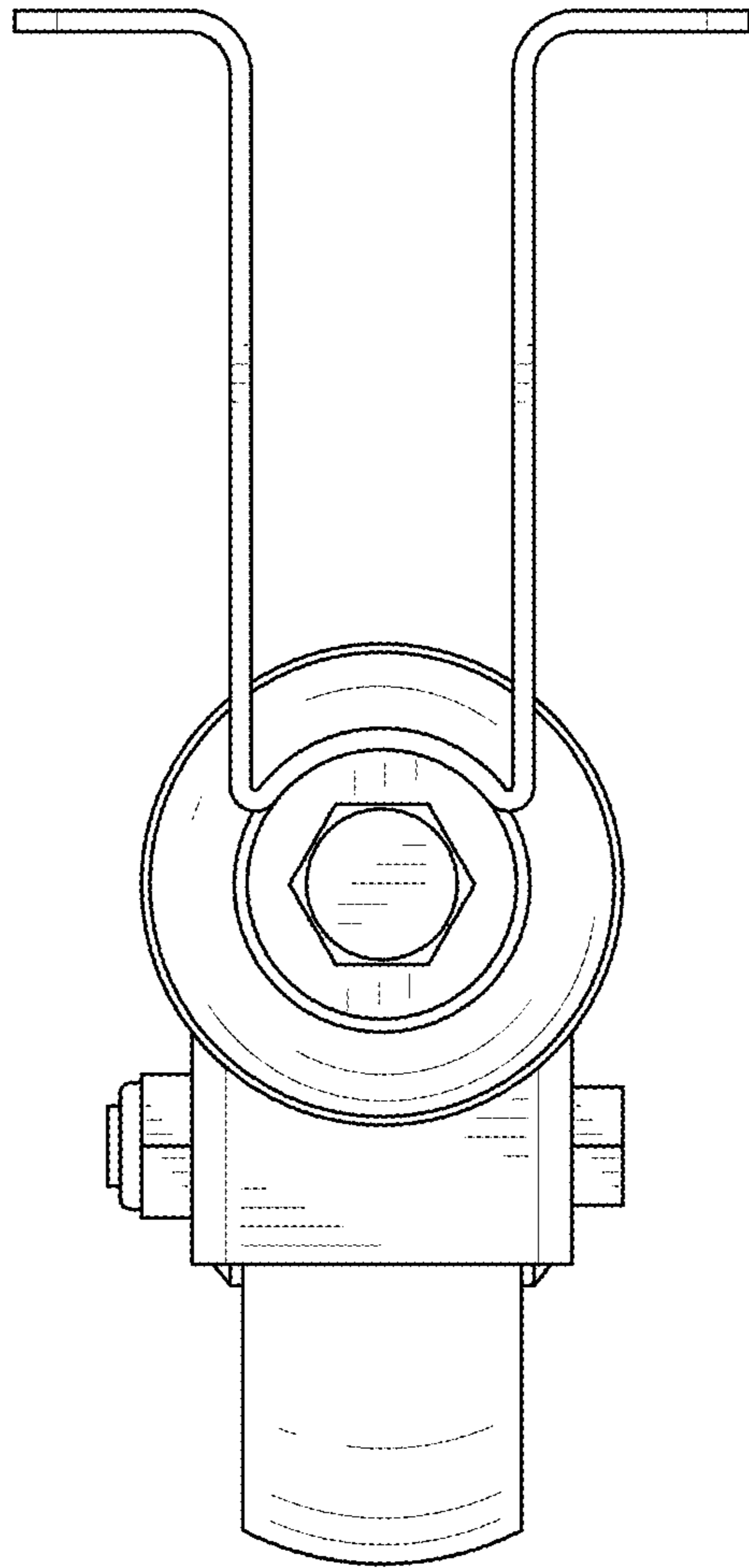


FIG. 7

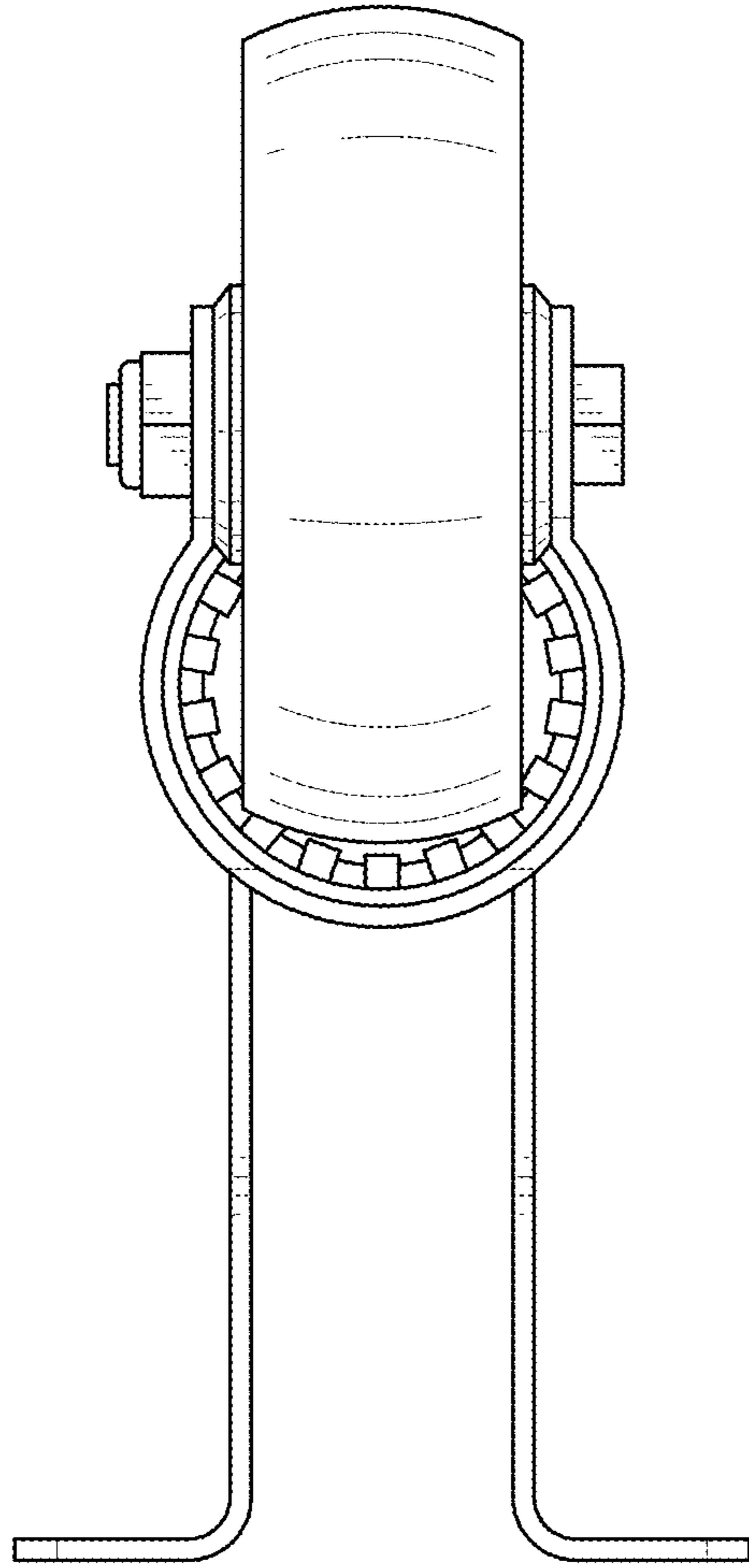


FIG. 8