



US00D988117S

(12) **United States Design Patent**
Chen

(10) **Patent No.:** **US D988,117 S**
(45) **Date of Patent:** **** Jun. 6, 2023**

- (54) **MAGNET HOOK**
- (71) Applicant: **Ningbo Zhenhai Keyda Magnet Co., Ltd.**, Ningbo (CN)
- (72) Inventor: **Mingmin Chen**, Ningbo (CN)
- (73) Assignee: **Ningbo Zhenhai Keyda Magnet Co., Ltd.**, Ningbo (CN)
- (**) Term: **15 Years**
- (21) Appl. No.: **29/873,764**
- (22) Filed: **Apr. 7, 2023**

D374,602 S *	10/1996	Protz, Jr.	D8/367
6,519,818 B1 *	2/2003	Chang	B66C 1/36 24/599.4
D667,293 S *	9/2012	Thompson	D8/367
D670,997 S *	11/2012	Thompson	D8/367
D765,498 S	9/2016	Dankert	
D842,083 S *	3/2019	Thompson	D8/367
D864,700 S *	10/2019	Chen	D8/367
D917,266 S	4/2021	Winnie	
D918,698 S *	5/2021	Man	D8/367
D935,312 S *	11/2021	Zhou	D8/367
D939,330 S *	12/2021	Zhou	D8/367
D945,866 S	3/2022	Luo	
D968,938 S *	11/2022	Zhou	D8/372
D971,712 S *	12/2022	Zhou	D8/367
D974,885 S *	1/2023	Zhou	D8/367
D974,887 S *	1/2023	Liu	D8/367
D980,701 S *	3/2023	Fu	D8/367
D981,826 S *	3/2023	Guo	D8/367

(Continued)

Related U.S. Application Data

- (62) Division of application No. 29/867,731, filed on Nov. 7, 2022.
- (51) **LOC (14) Cl.** **08-05**
- (52) **U.S. Cl.**
USPC **D8/367**
- (58) **Field of Classification Search**
USPC D8/349, 354, 367, 372; D6/323
CPC .. A47G 1/17; A47G 25/0607; A47G 25/0635;
A47G 29/08; A47G 23/0225; A47G
7/044; Y10T 24/4755; Y10T 428/21;
Y10T 24/3484; Y10T 24/45115; Y10T
24/4523; Y10T 24/45969
See application file for complete search history.

Primary Examiner — Lauren R Calve

(74) *Attorney, Agent, or Firm* — True Shepherd LLC;
Andrew C. Cheng

(57) **CLAIM**

The ornamental design for a magnet hook, as shown and described.

DESCRIPTION

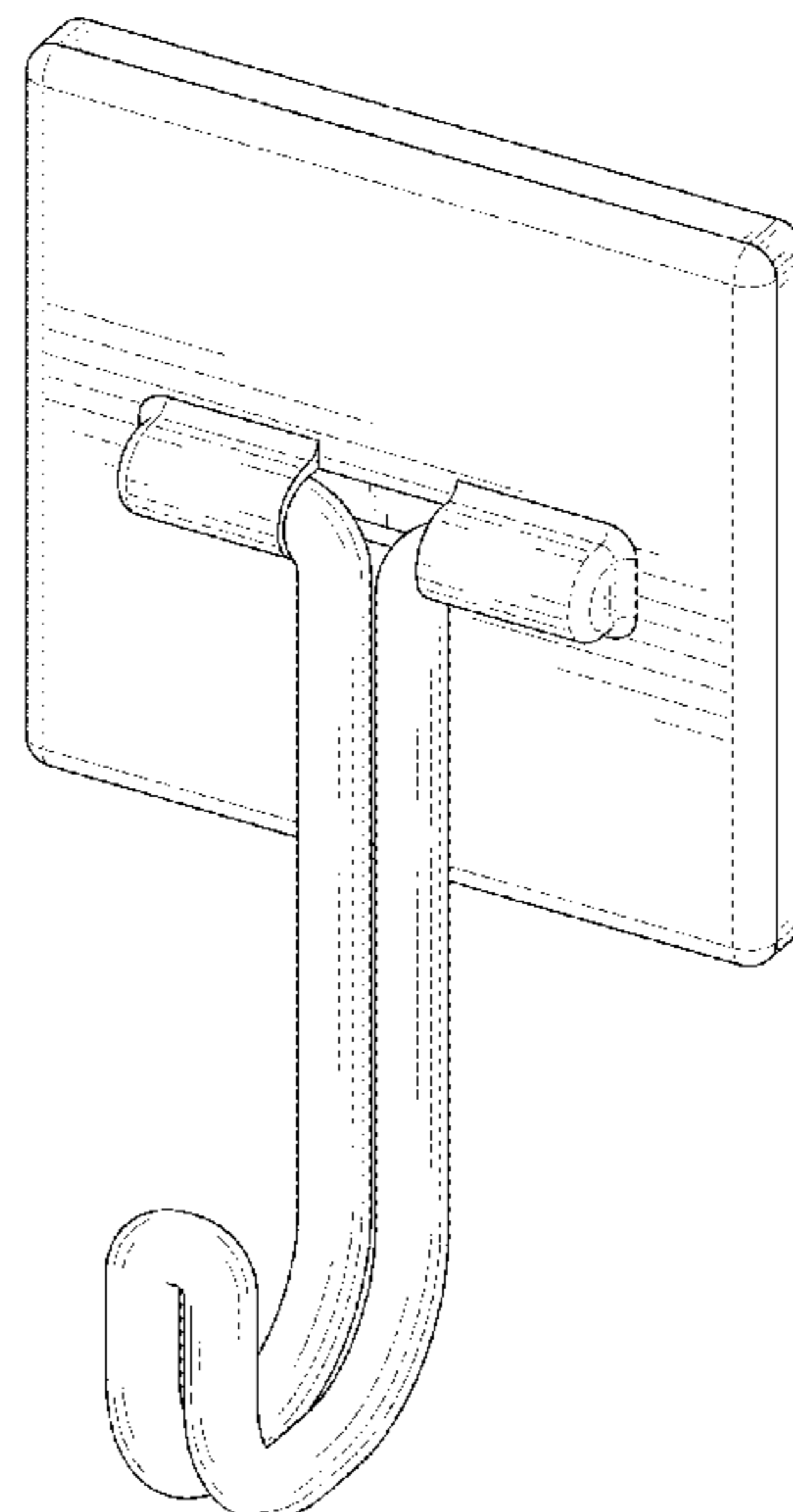
FIG. 1 is a perspective view of a magnet hook showing my new design;
 FIG. 2 is another perspective view thereof;
 FIG. 3 is a front view thereof;
 FIG. 4 is a rear view thereof;
 FIG. 5 is a left side view thereof;
 FIG. 6 is a right side view thereof;
 FIG. 7 is a top plan view thereof; and,
 FIG. 8 is a bottom plan view thereof.
 The broken lines depict portions of the magnet hook and form no part of the claimed design.

1 Claim, 8 Drawing Sheets

(56) **References Cited**

U.S. PATENT DOCUMENTS

2,765,998 A *	10/1956	Engert	A47G 1/17 248/467
3,637,181 A *	1/1972	Janssen	A47G 1/17 156/320
4,290,575 A *	9/1981	Swartwout	A47G 29/08 211/89.01
D289,255 S *	4/1987	Chasen	D8/367



(56)

References Cited

U.S. PATENT DOCUMENTS

2007/0272819 A1* 11/2007 Wang A47G 25/0607
248/476
2012/0256065 A1* 10/2012 Nordsell F16M 13/022
248/221.11
2022/0304491 A1* 9/2022 Park A47G 1/164

* cited by examiner

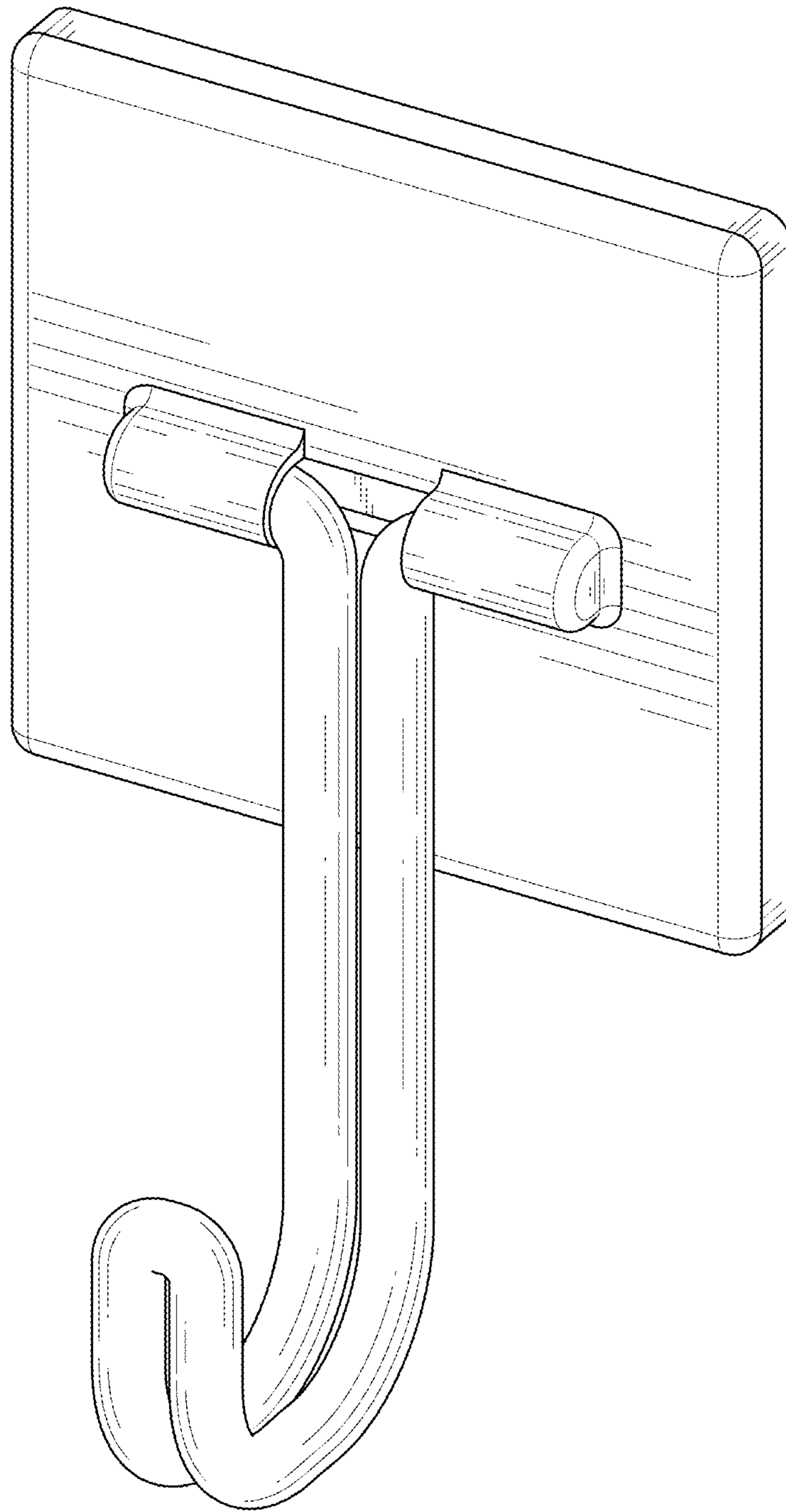


FIG. 1

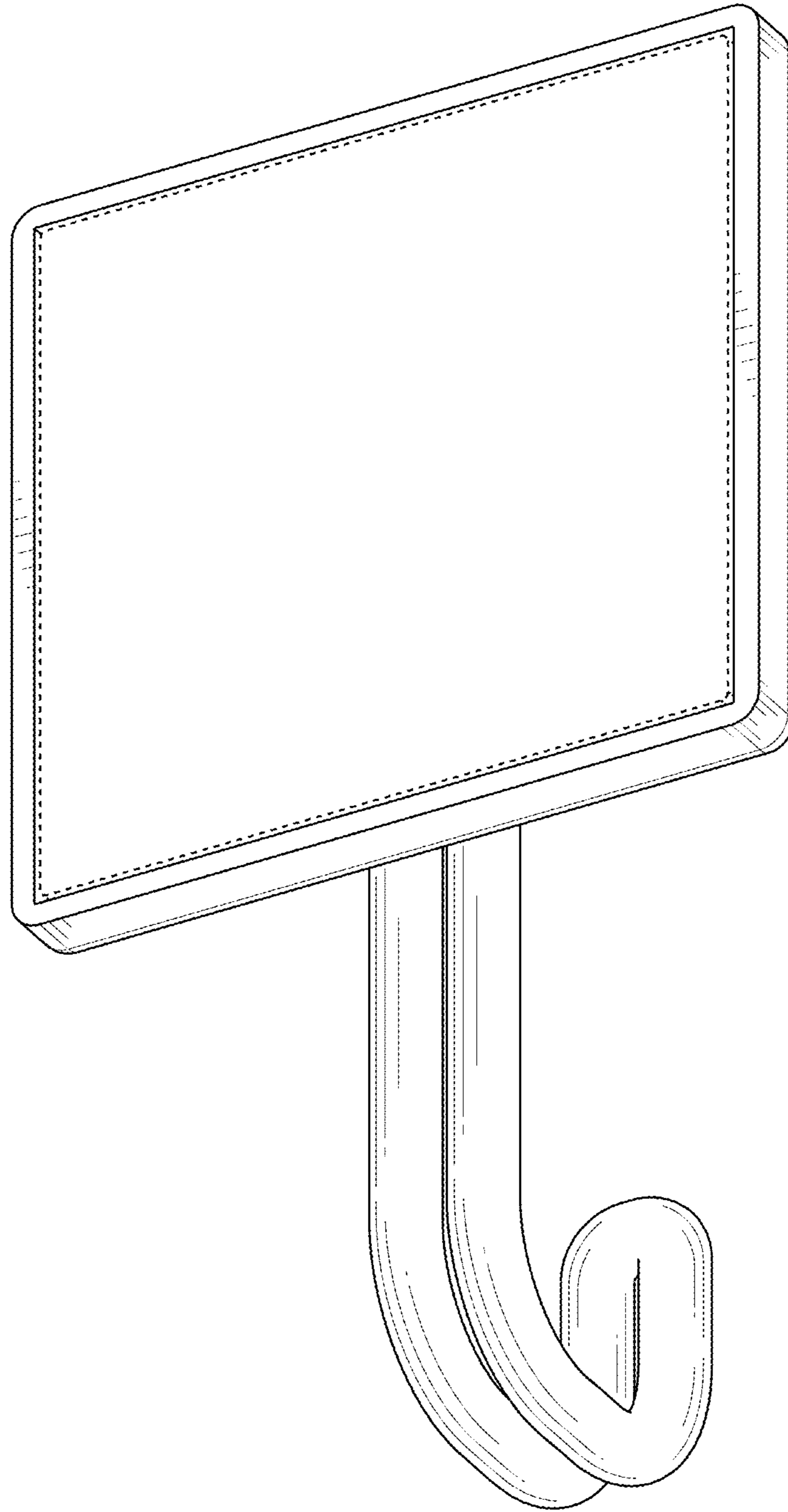


FIG. 2

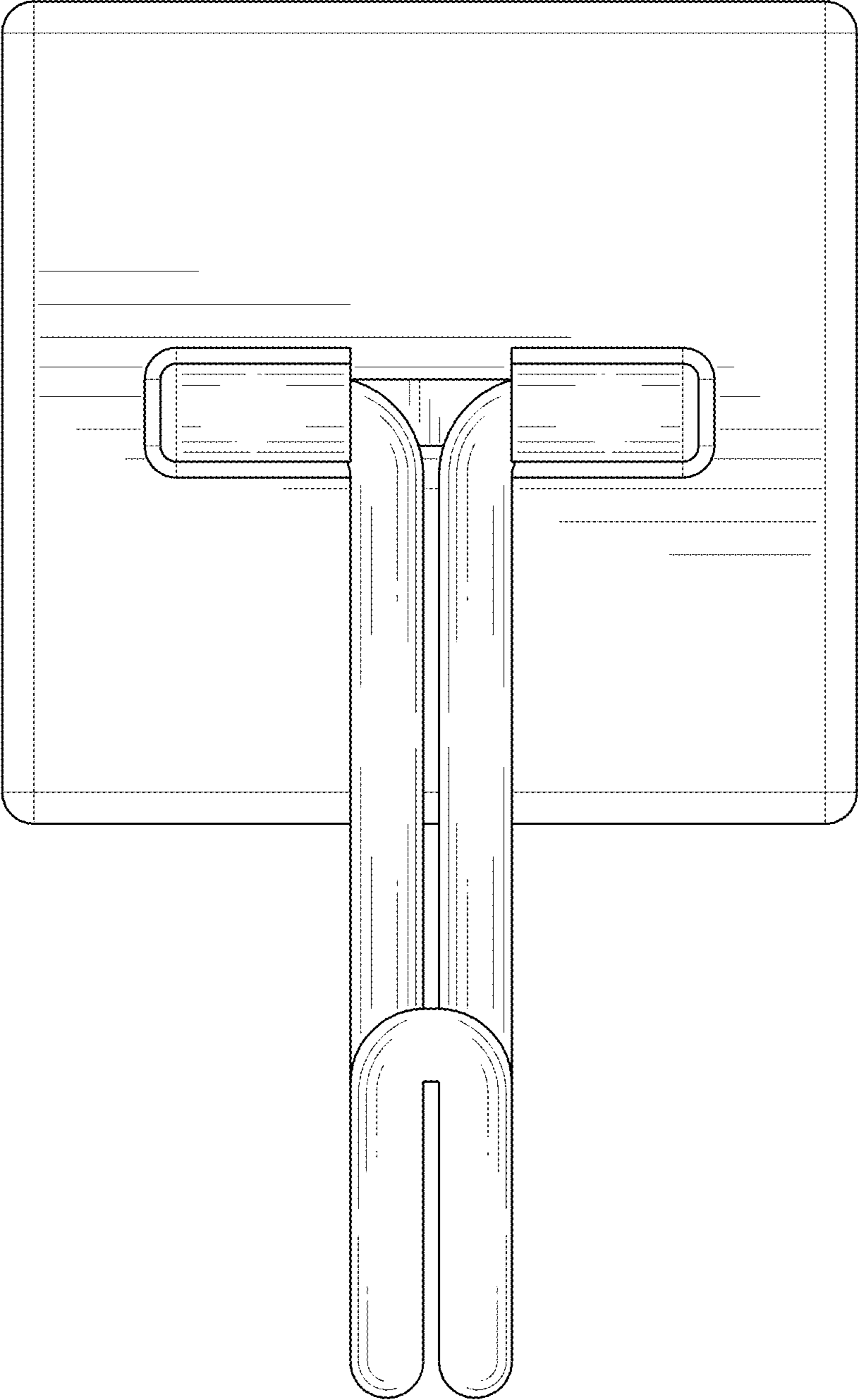


FIG. 3

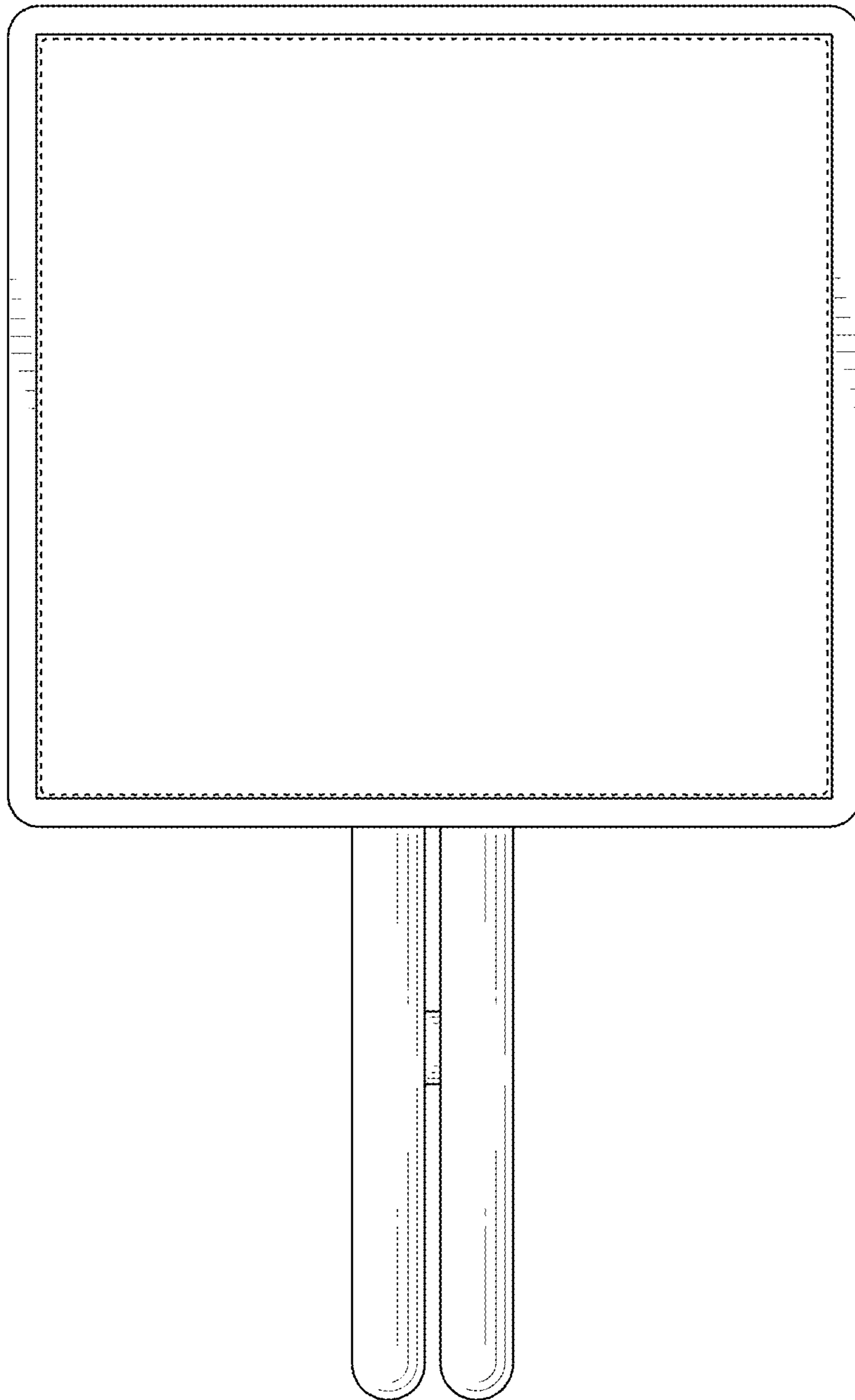


FIG. 4

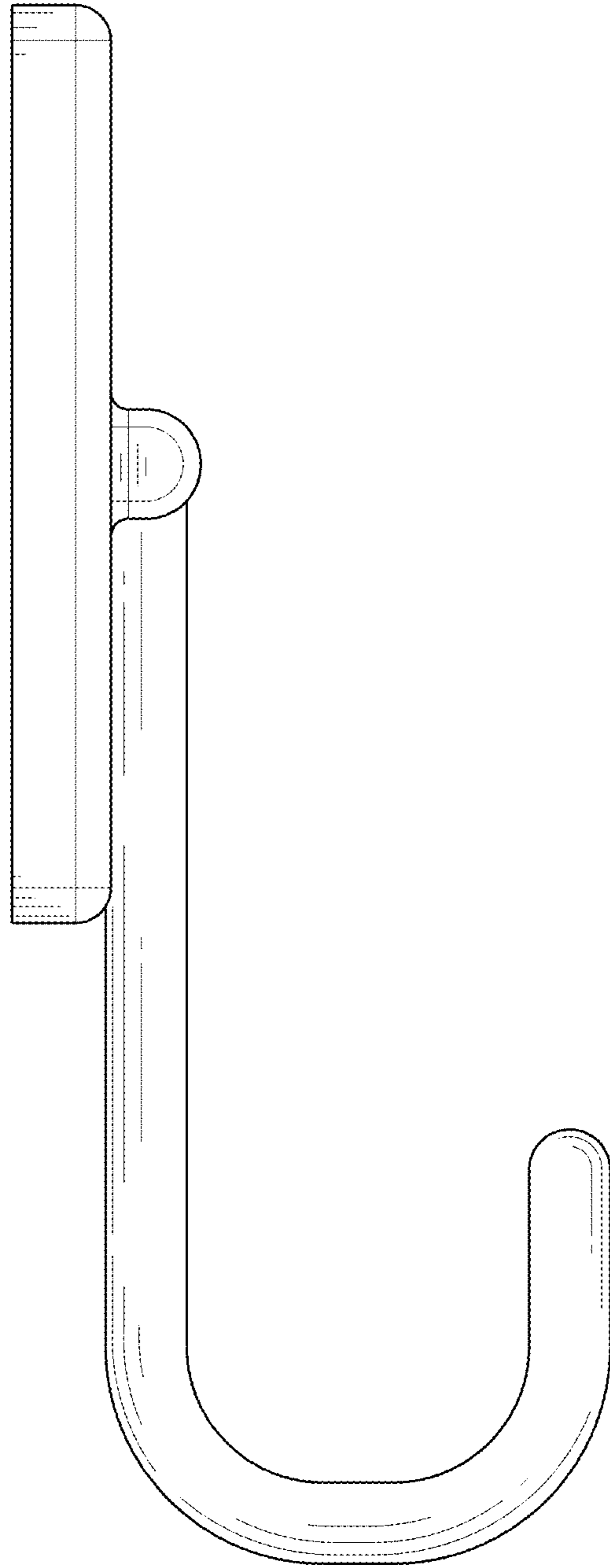


FIG. 5

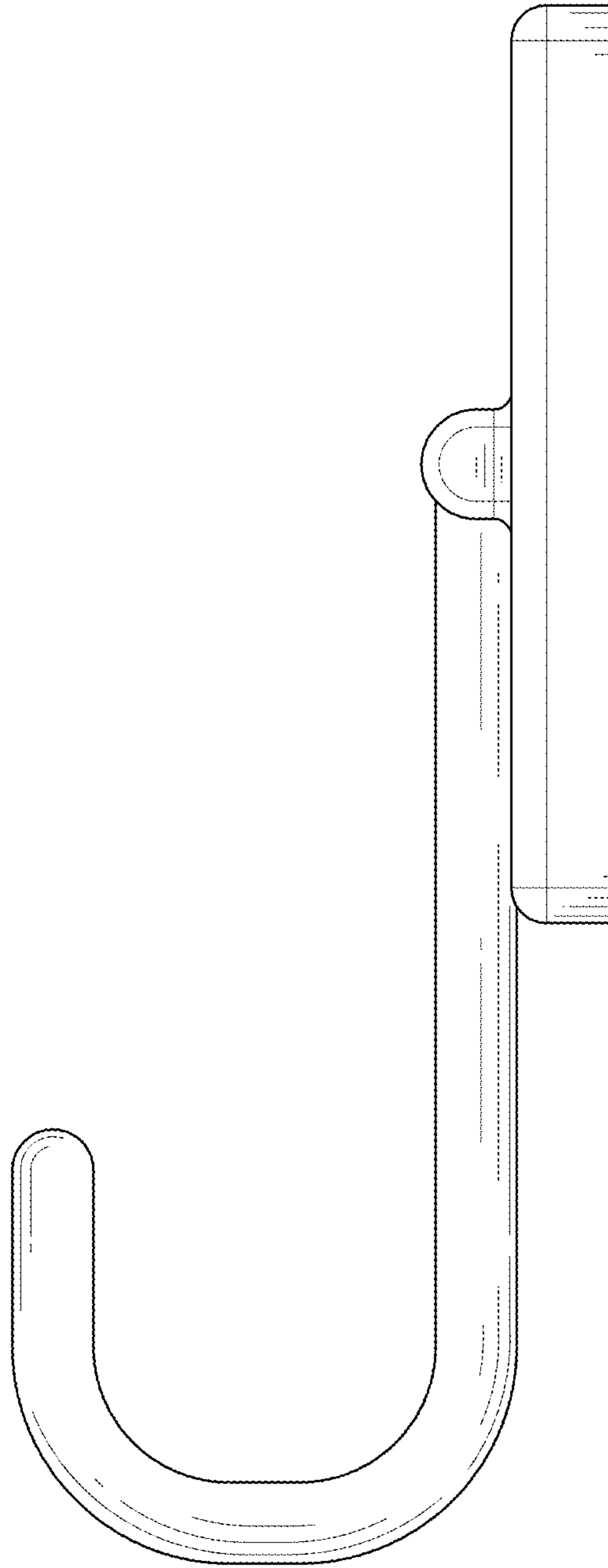


FIG. 6

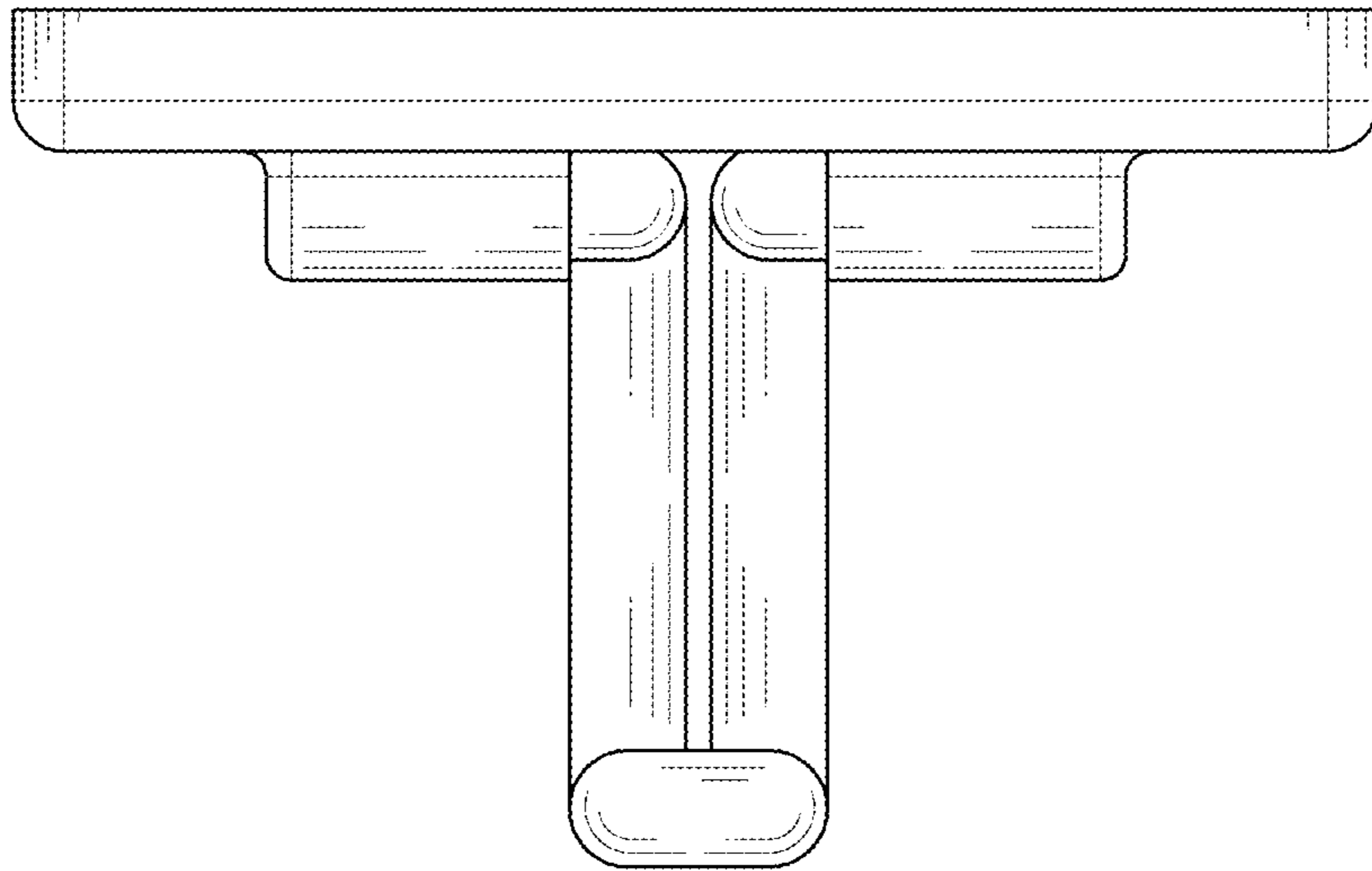


FIG. 7

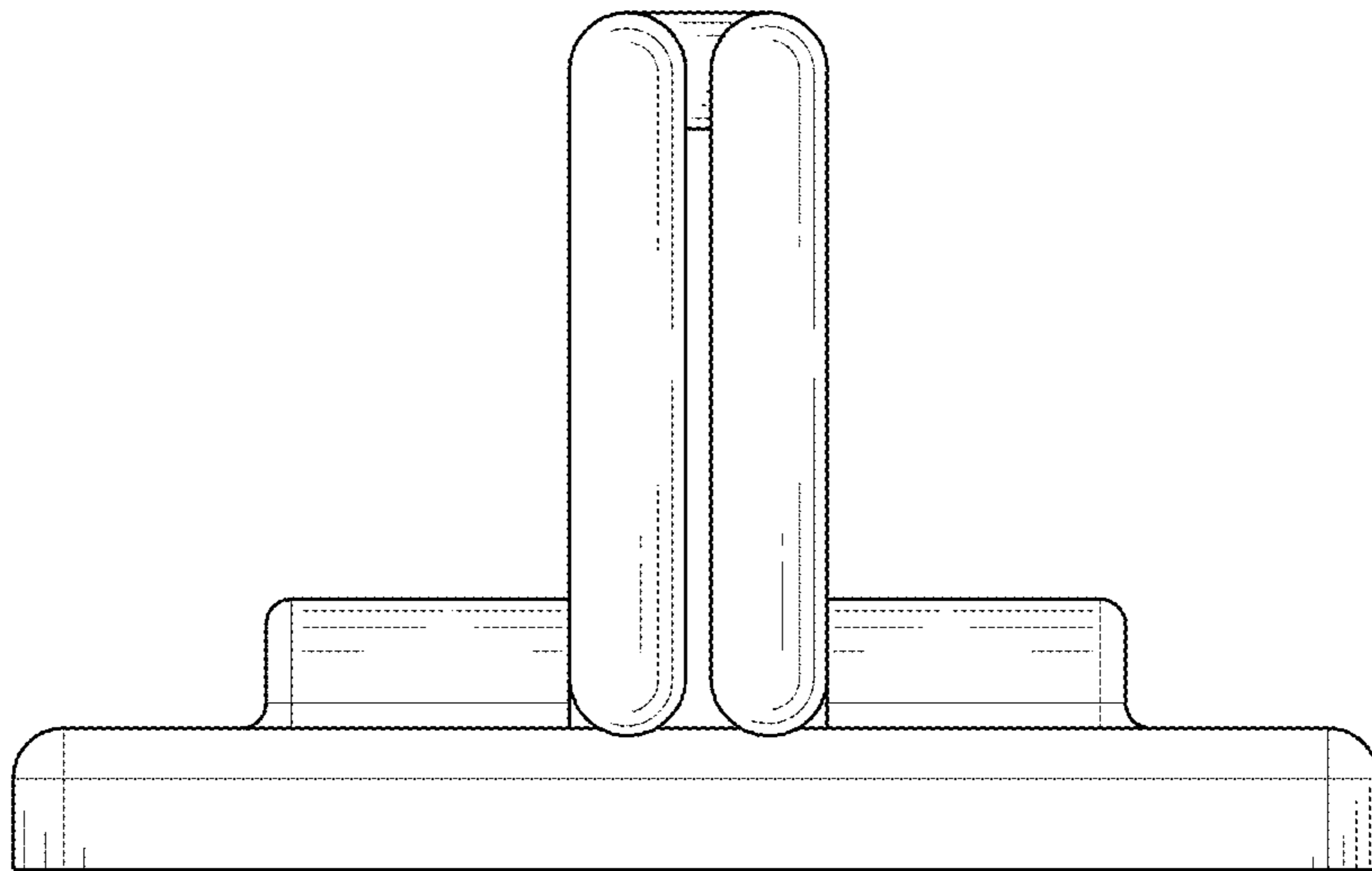


FIG. 8