



US00D988116S

(12) **United States Design Patent**
Ouyang

(10) **Patent No.:** **US D988,116 S**

(45) **Date of Patent:** **** Jun. 6, 2023**

(54) **DESK MOUNT ANCHOR**

(71) Applicant: **Xinxia Ouyang**, Xiangtan (CN)

(72) Inventor: **Xinxia Ouyang**, Xiangtan (CN)

(**) Term: **15 Years**

(21) Appl. No.: **29/862,722**

(22) Filed: **Dec. 12, 2022**

(51) **LOC (14) Cl.** **08-11**

(52) **U.S. Cl.**
USPC **D8/367**

(58) **Field of Classification Search**
USPC D8/DIG. 2, 94, 107, 300, 306, 310, 321,
D8/349, 367, 368, 346; D12/162, 223,
D12/406, 420
CPC B60P 7/0807; Y10T 24/4773; Y10T
70/5009; E05B 73/0005; E05B 73/0082
See application file for complete search history.

(56) **References Cited**

U.S. PATENT DOCUMENTS

- D176,019 S * 11/1955 Hollowell D8/401
- D214,778 S * 7/1969 Solie D8/306
- D256,863 S * 9/1980 Ryan D6/546
- D271,562 S * 11/1983 Weinerman 292/DIG. 31
- 5,050,836 A * 9/1991 Makous E05B 73/0005
410/101
- 5,052,869 A * 10/1991 Hansen, II B60P 7/0807
410/101
- D323,776 S * 2/1992 Hansen D8/338
- D323,970 S * 2/1992 Schlack D8/341
- D328,231 S * 7/1992 Hansen D8/301
- D335,439 S * 5/1993 Leyden D8/332
- 5,632,165 A * 5/1997 Perry E05B 73/0005
70/30
- D389,393 S * 1/1998 Hansen D8/310
- D390,088 S * 2/1998 Perry D8/332
- D394,969 S * 6/1998 Ho D6/524
- 5,774,948 A * 7/1998 Petschke B60P 7/0807
24/265 AL

- D407,298 S * 3/1999 Hemphill D8/367
 - 6,360,405 B1 * 3/2002 McDaid E05B 73/0082
24/669
 - D552,530 S * 10/2007 Kirkpatrick B60R 25/00
D12/223
 - D581,324 S * 11/2008 Fonk D12/162
- (Continued)

OTHER PUBLICATIONS

Urban UR55 High Security Ground Wall Anchor, 14mm Hardened Steel Swing Shackle, Heavy Duty Motorcycle Ground Anchor, Bike Security Anchor, Concrete Floor Anchor; Urban; Amazon.com; Dec. 15, 2016; Accessed Jan. 30, 2023; URL:< https://www.amazon.com/dp/B01N7ILZ7O > (Year: 2016).*

(Continued)

Primary Examiner — Rachel A. Voorhies
Assistant Examiner — Benjamin D. Wannemacher
(74) *Attorney, Agent, or Firm* — Justin Lampel

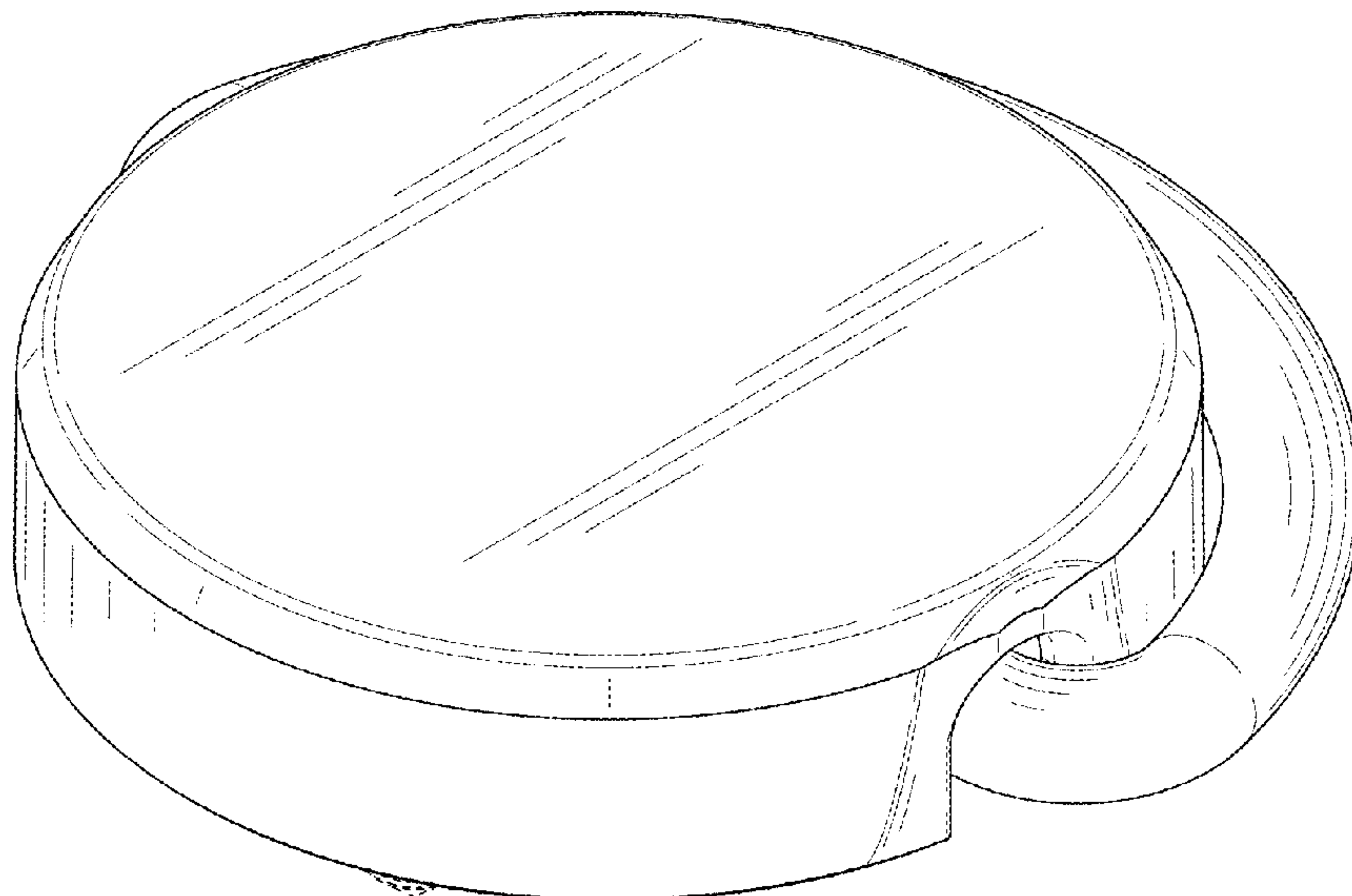
(57) **CLAIM**

The ornamental design for a desk mount anchor, as shown and described.

DESCRIPTION

FIG. 1 is a perspective view of a desk mount anchor showing the claimed design;
FIG. 2 is another perspective view of a desk mount anchor showing the claimed design;
FIG. 3 is a front elevational view thereof;
FIG. 4 is a rear elevational view thereof;
FIG. 5 is a left side view thereof;
FIG. 6 is a right side view thereof;
FIG. 7 is a top plan view thereof;
FIG. 8 is a bottom plan view thereof; and,
FIG. 9 is the third perspective view thereof.
The broken lines illustrate portions of the desk mount anchor that form no part of the claimed design.

1 Claim, 9 Drawing Sheets



(56)

References Cited

U.S. PATENT DOCUMENTS

D603,247 S * 11/2009 Harrell D8/367
 D619,954 S * 7/2010 Le D12/223
 D802,649 S * 11/2017 Dering A44B 11/25
 D813,018 S * 3/2018 Ryu B61D 45/001
 D879,591 S * 3/2020 Weinerman D8/354
 D899,230 S * 10/2020 Tang D8/367
 D966,873 S * 10/2022 Chen E05B 73/0005
 D968,927 S * 11/2022 Mantell D8/306
 D971,713 S * 12/2022 Huang A47J 47/16
 D971,813 S * 12/2022 Menegazzo E05B 73/0082
 D974,882 S * 1/2023 Griffin A44B 11/25
 D974,886 S * 1/2023 Liu E05B 73/0005
 D974,887 S * 1/2023 Liu D8/367
 D975,524 S * 1/2023 Meyers B62H 5/00
 D8/367

2005/0151047 A1* 7/2005 Hardie B62H 5/00
 248/499
 2014/0255121 A1* 9/2014 Pauluk B29C 45/16
 410/101
 2014/0265250 A1* 9/2014 Hood B60D 1/187
 280/498
 2017/0144582 A1* 5/2017 Livesay B61D 45/001
 2019/0359112 A1* 11/2019 Buczynski B60P 7/0807
 2021/0155147 A1* 5/2021 McCormack B60P 7/0807
 2022/0170297 A1 6/2022 Kao et al.
 2022/0186769 A1* 6/2022 Spino A47J 47/16

OTHER PUBLICATIONS

Keyfit Tools Low Profile Anchor Plate (1 Pack) Concrete Deck
 Patio Trailer Garage Floor Bike Lock Anchor Point Use Your
 Screws Or Concrete Anchor Bolt & Tie Downs Ratchet Straps;
 Keyfit; Amazon.com; Jan. 23, 2021; Accessed Jan. 30, 2023;
 URL:< <https://www.amazon.com/dp/B08TV82H8Y> > (Year: 2021).*
 Loradar Stainless Steel Security Anchor Base Plate,Desk Mount
 Anchor for Cable Locks (1 Pack); Loradar; Amazon.com; Dec. 14,
 2022; Accessed Jan. 30, 2023; URL:< <https://www.amazon.com/dp/B0BQ343STT/> > (Year: 2022).*

* cited by examiner

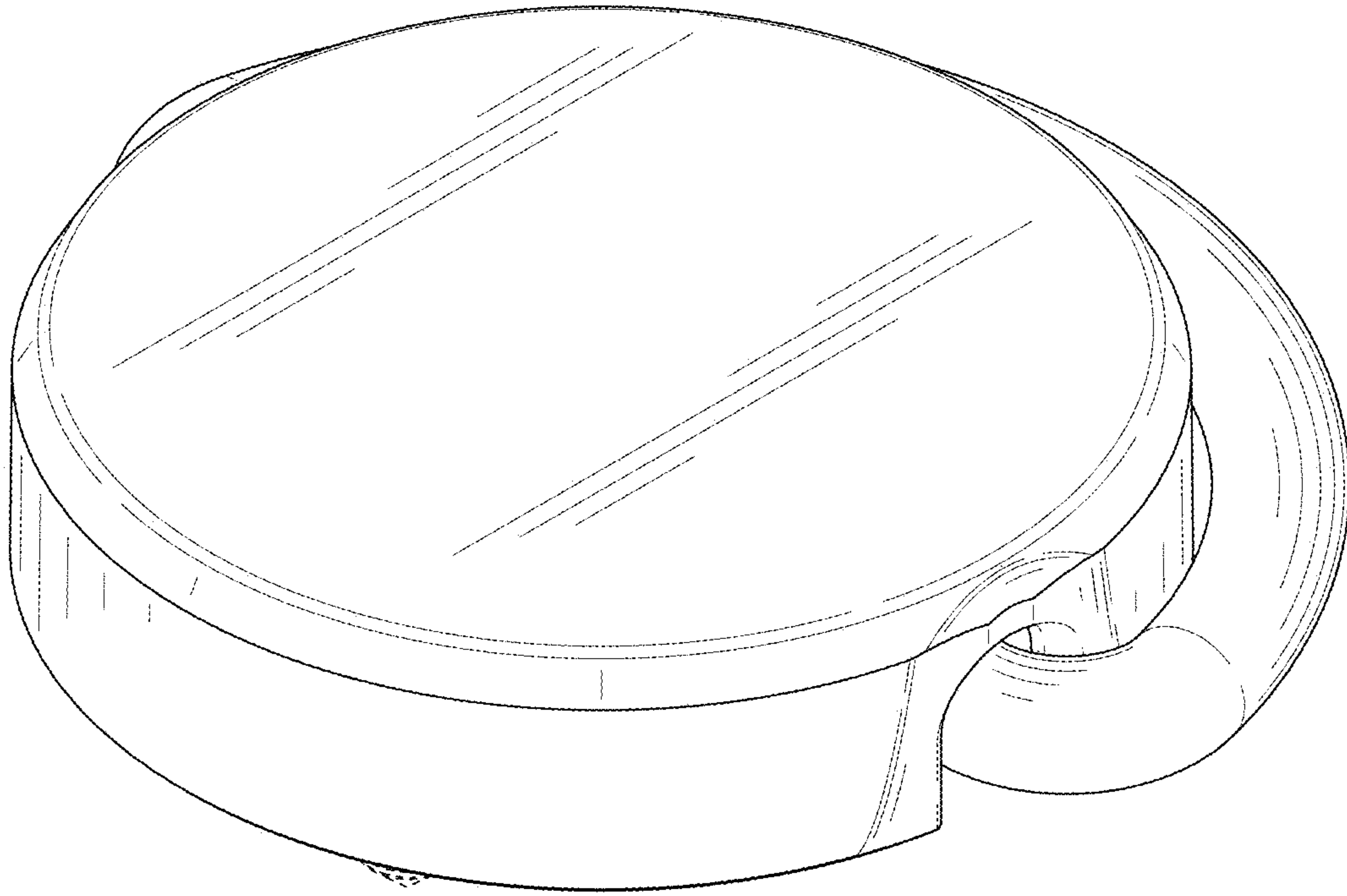


FIG. 1

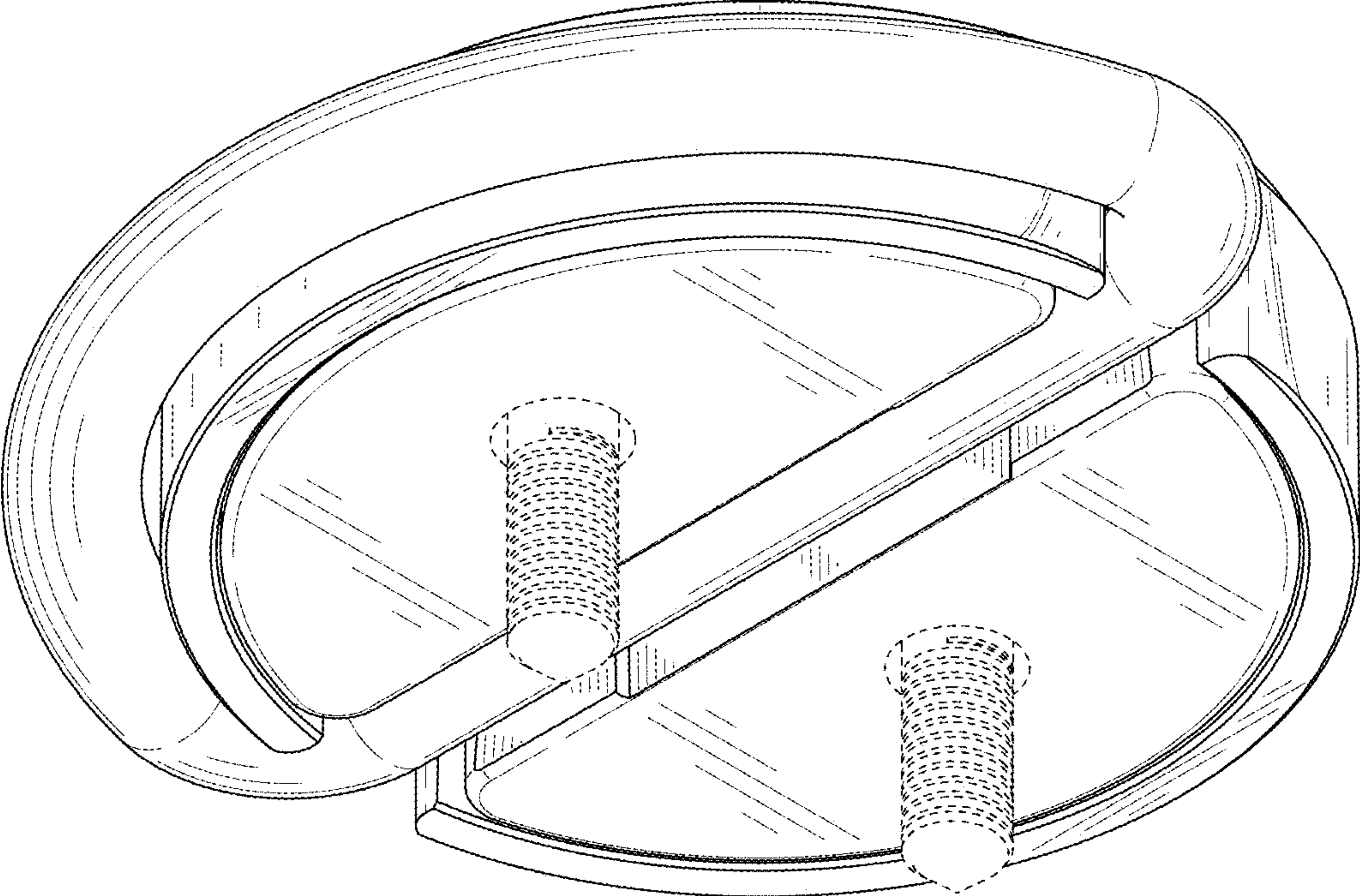


FIG. 2

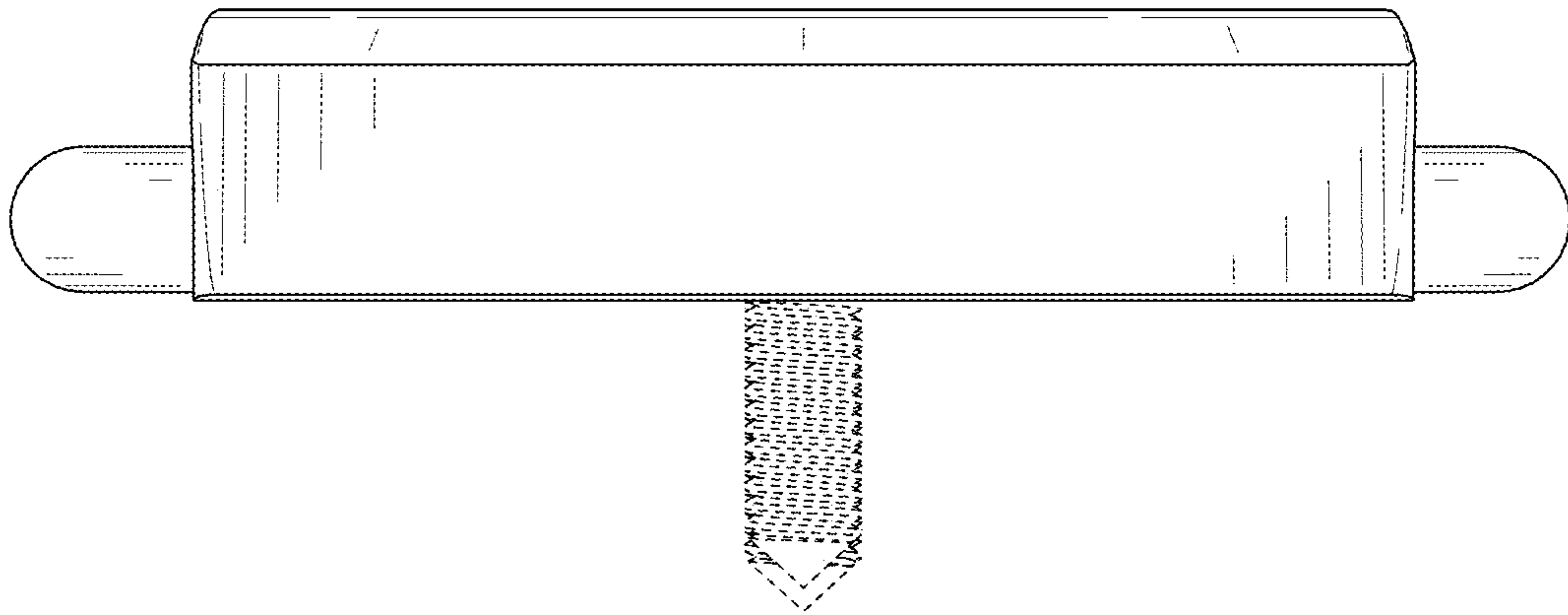


FIG. 3

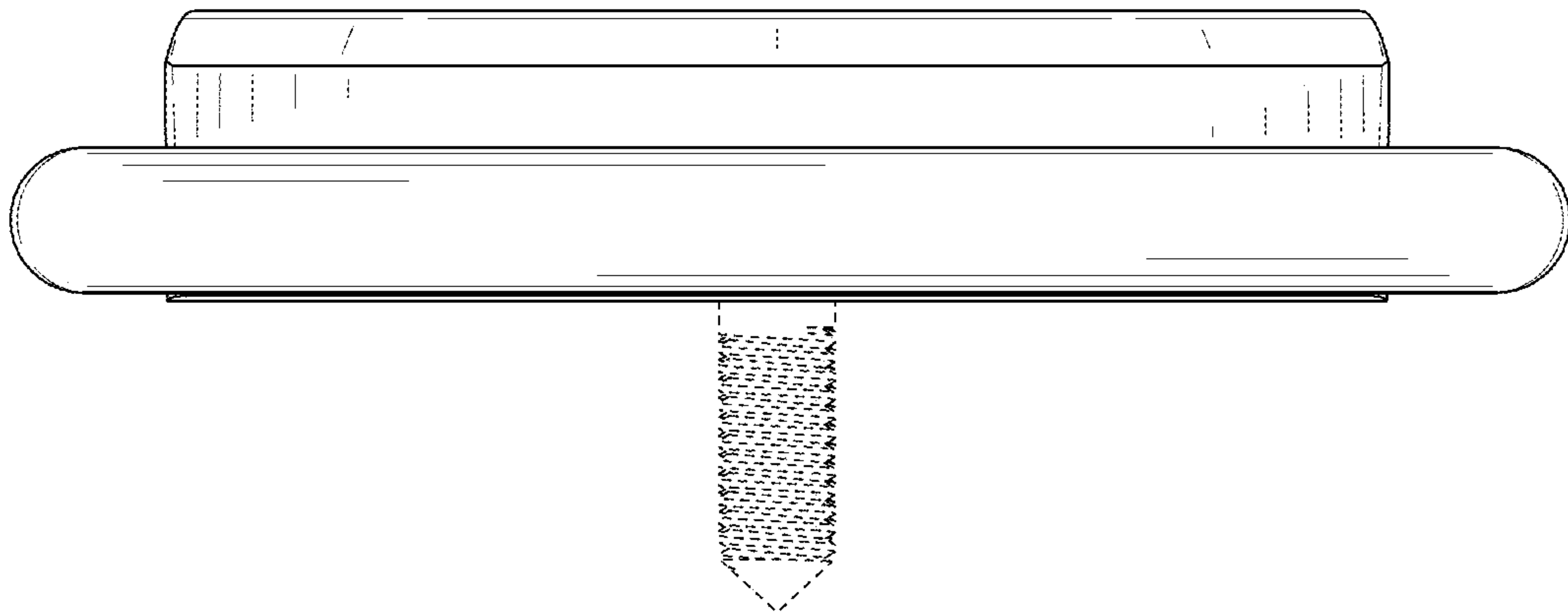


FIG. 4

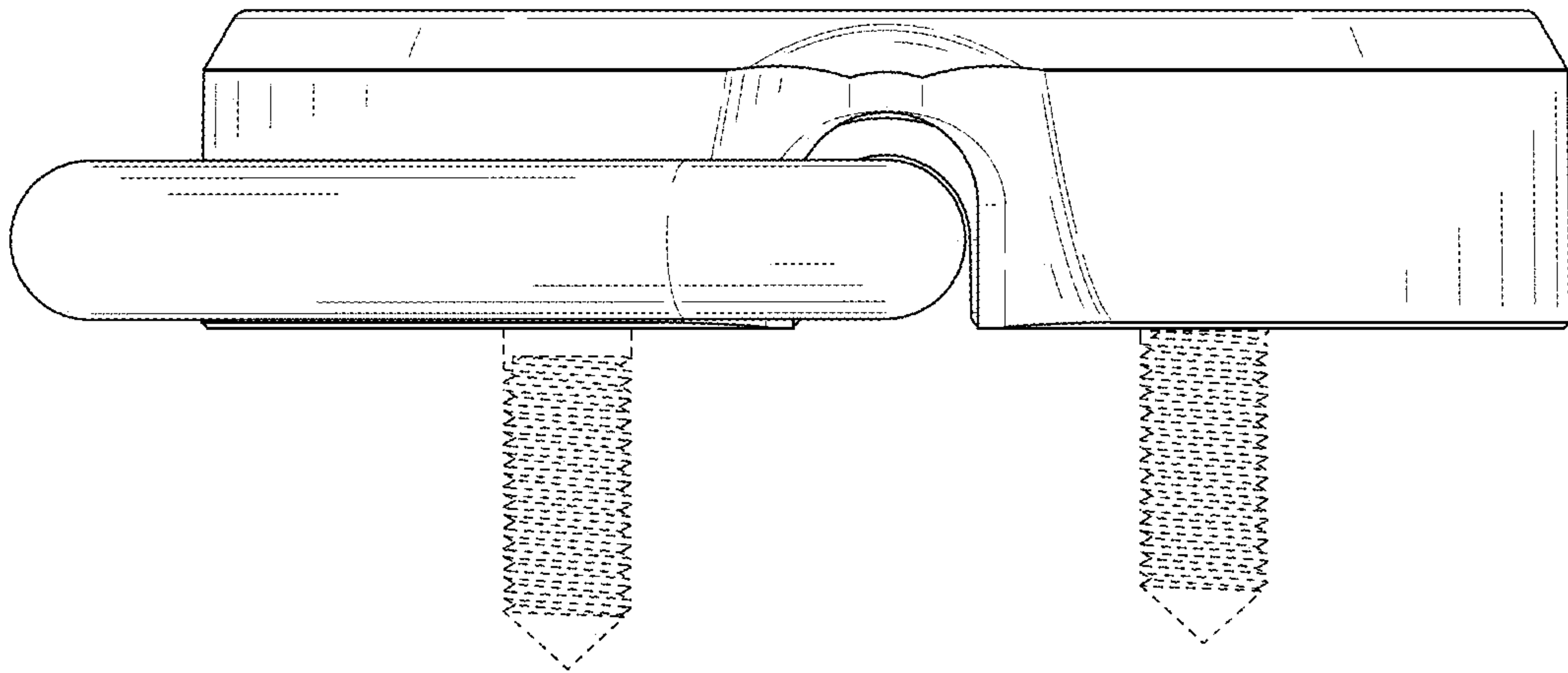


FIG. 5

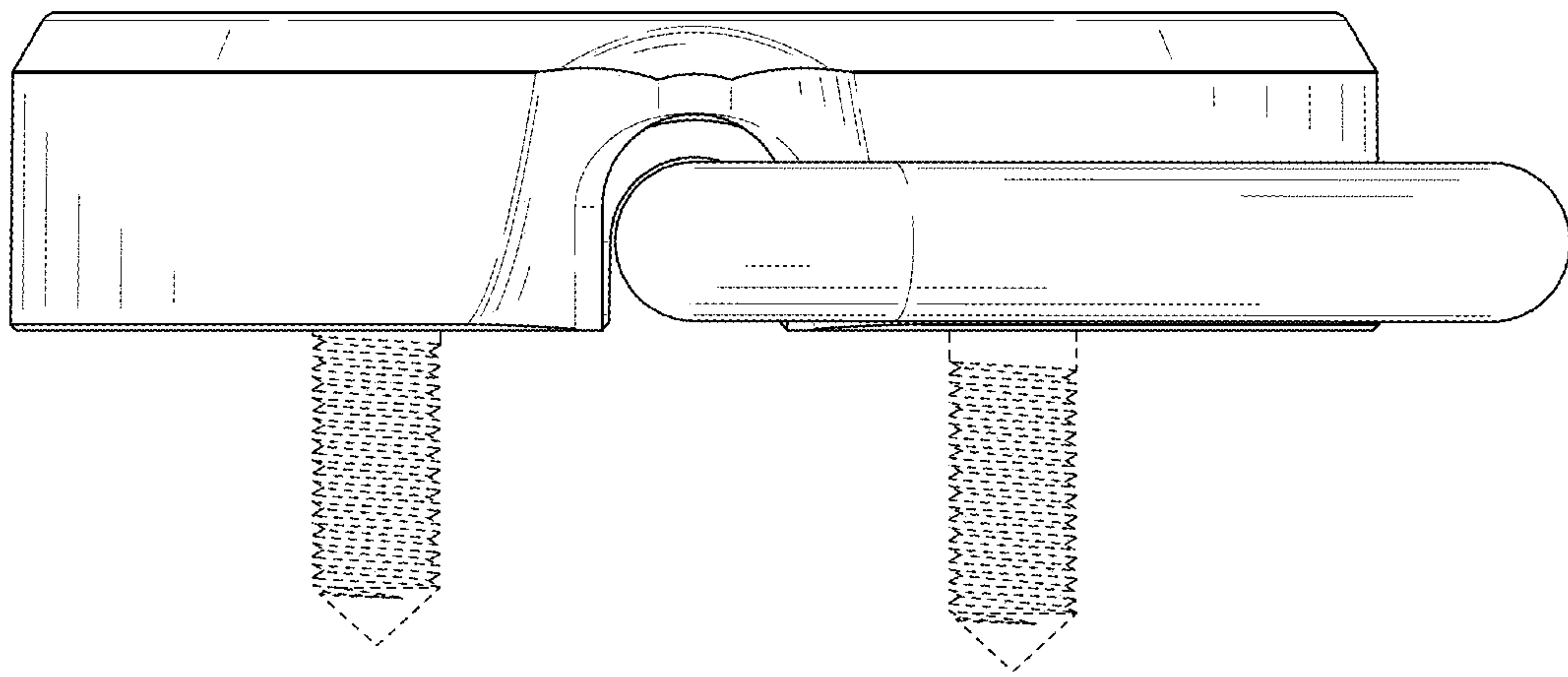


FIG. 6

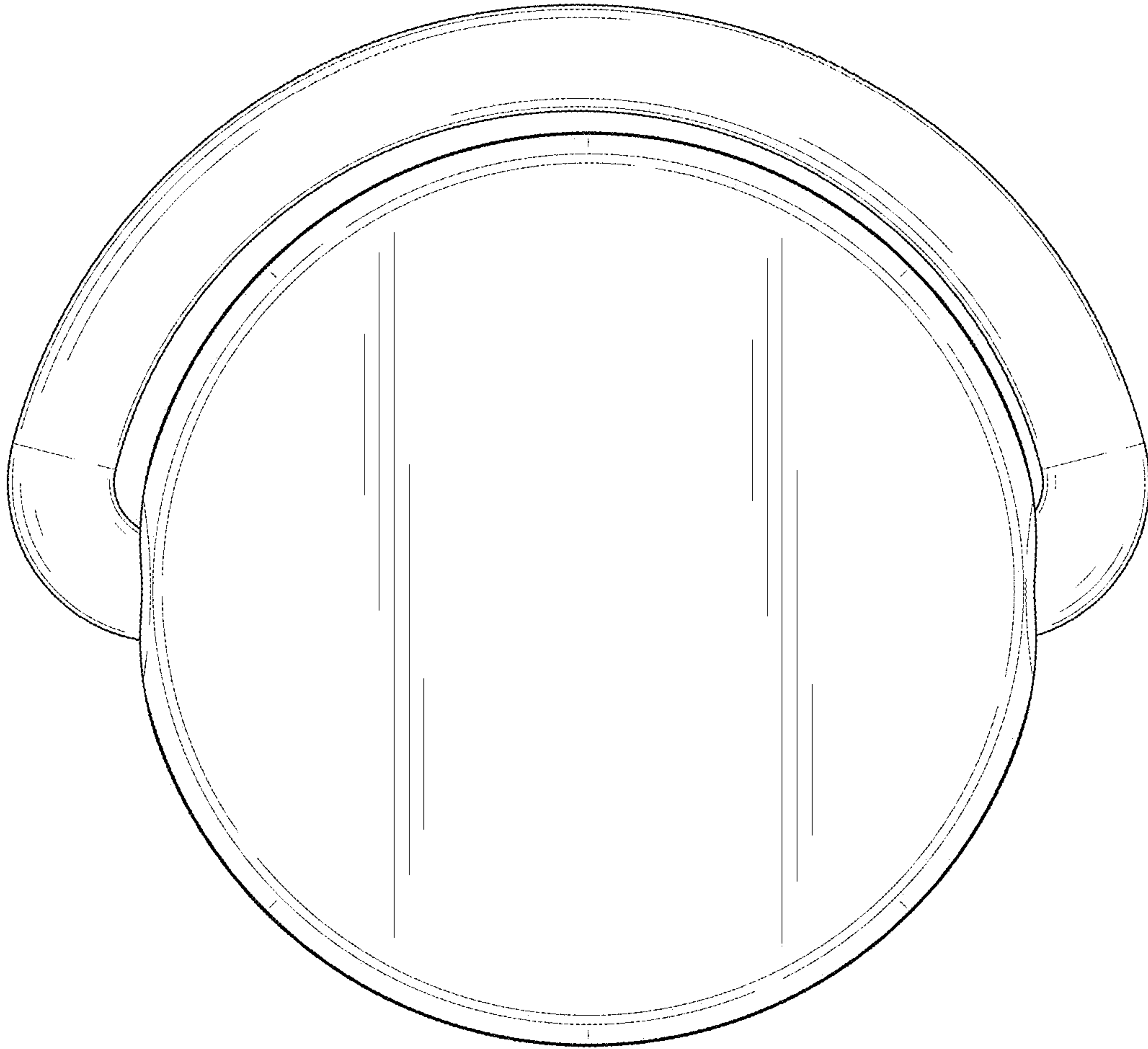


FIG. 7

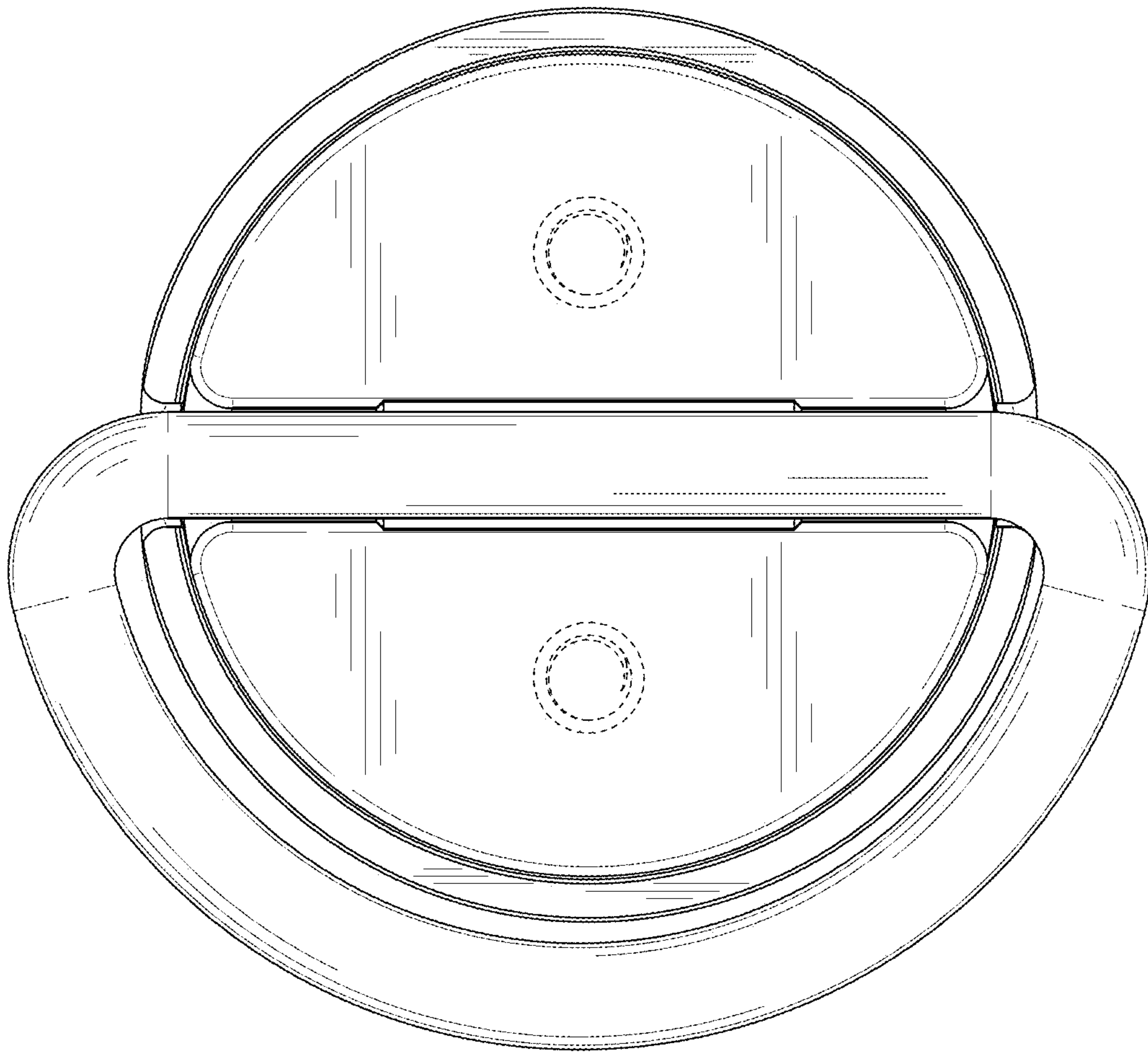


FIG. 8

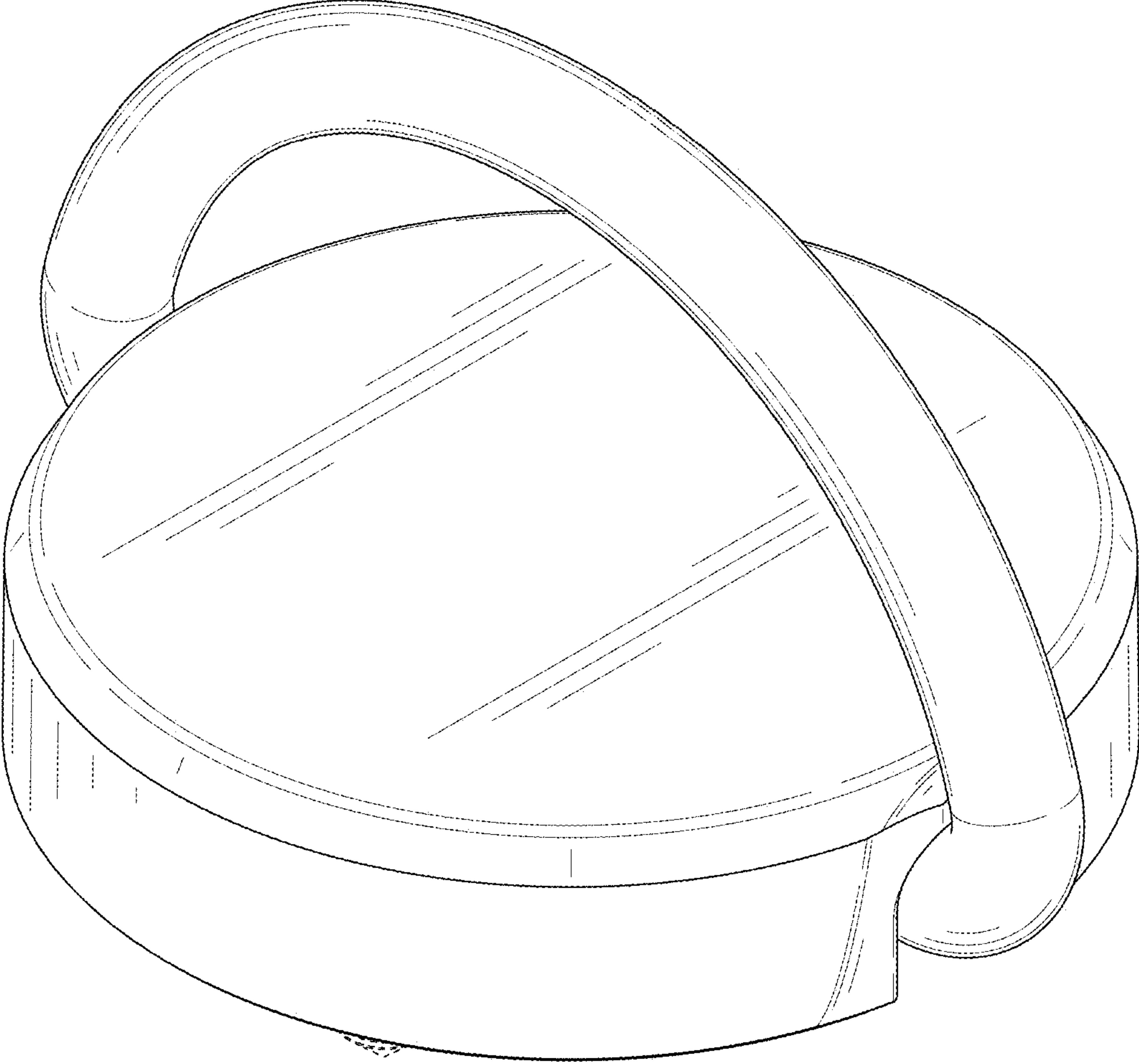


FIG. 9