



US00D988115S

(12) **United States Design Patent**
Khubani et al.

(10) **Patent No.:** **US D988,115 S**
(45) **Date of Patent:** **** Jun. 6, 2023**

(54) **HOOK AND HANGER IN COMBINATION**

1/15; A01D 34/822; A47L 9/26; H04R
1/1033; Y10S 24/909

(71) Applicant: **DaVinci II CSJ, LLC**, Fairfield, NJ
(US)

See application file for complete search history.

(72) Inventors: **Ajit Khubani**, Saddle River, NJ (US);
Mohan Rajasekaran, Watertown, CT
(US)

(56) **References Cited**

U.S. PATENT DOCUMENTS

D436,452 S 1/2001 Gastelum et al.
D463,971 S * 10/2002 Lillelund D6/367
6,688,502 B2 2/2004 Kunreuther

(Continued)

(73) Assignee: **DaVinci II CSJ, LLC**, Fairfield, NJ
(US)

(**) Term: **15 Years**

OTHER PUBLICATIONS

(21) Appl. No.: **29/845,413**

Ruby Space Triangles, posted at amazon.ca, posting date Jul. 25, 2022, retrieved Jan. 24, 2023, online, URL: https://www.amazon.ca/Triangles-AS-SEEN-Ultra-Premium-Hanger/dp/B0B7GYGRLF/ref=sr_1_1?keywords=ruby+space+triangles&qid=1674591542 (Year: 2022).*

(22) Filed: **Jul. 7, 2022**

(51) **LOC (14) Cl.** **08-11**

(52) **U.S. Cl.**
USPC **D8/367**

Primary Examiner — Mary Shannon Malley

Assistant Examiner — Michelle Marquart Christeon

(58) **Field of Classification Search**

USPC D6/349, 352, 367; D21/673, 674, 675,
D21/839, 840; D8/373, 358, 359, 354,
D8/71, 330, 336, 351, 356, 360.1, 363,
D8/364, 367, 370, 372, 379, 381, 382,
D8/395, 396; D9/426, 502, 750;
D10/72, 73, 89; D11/79, 93; D25/19,
D25/62, 68, 69

(57) **CLAIM**

The ornamental design for hook and hanger in combination,
as shown and described.

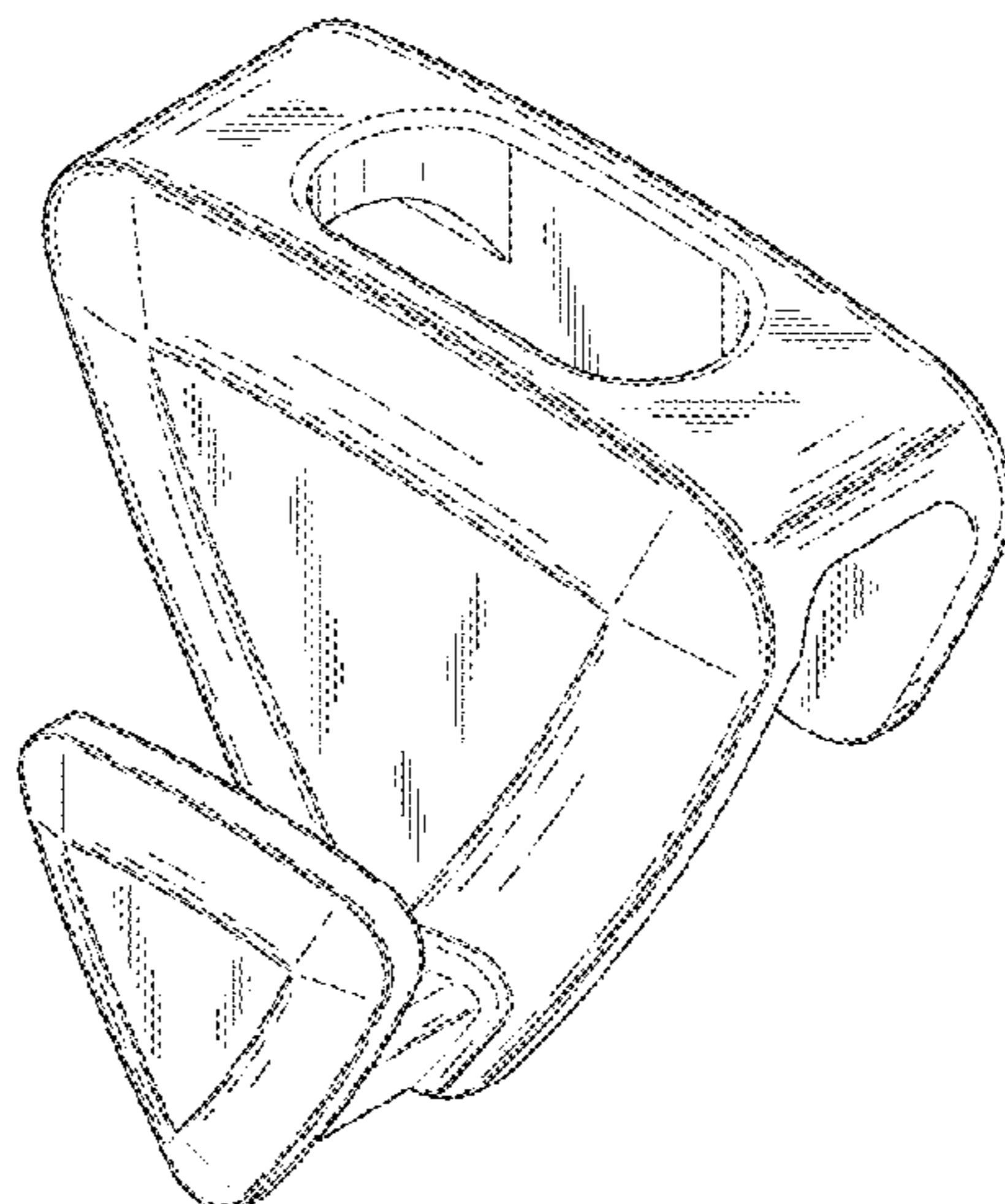
CPC B65H 75/40; B65H 75/4407; B65H
75/4471; B65H 2701/34; B65H 2701/32;
B65H 2511/142; B65H 29/008; B65H
2701/33; B65H 54/585; B65H 51/22;
B65H 75/08; B65H 75/02; B65H
2301/41485; B65H 75/4468; B65H
2301/414323; B65H 2301/414325; B65H
16/02; B65H 2301/4131; B65H 75/403;
B65H 75/441; B65D 85/66; B65D 85/67;
B66D 3/006; B66D 3/18; B66D 3/26;
B66D 3/02; B66D 3/14; B63B 21/18;
B63B 21/26; B65B 57/005; A61G
7/1051; A61G 7/1061; B66B 11/08;
A62C 33/04; B08B 2203/0276; B21C
47/28; H02G 11/02; A01K 89/003; H04M

DESCRIPTION

FIG. 1 is a right front perspective view of hook and hanger
in combination;
FIG. 2 is a front elevational view thereof;
FIG. 3 is a rear elevational view thereof;
FIG. 4 is a right side elevational view thereof;
FIG. 5 is a left side elevational view thereof;
FIG. 6 is a top view thereof;
FIG. 7 is a bottom view thereof; and,
FIG. 8 is a perspective view of the invention in its environ-
ment.

The broken lines illustrating clothes hangers in FIG. 8 depict
environmental subject matter that forms no part of the

(Continued)



claimed design. The remaining broken lines depict portions of the hook and hanger in combination that form no part of the claimed design.

1 Claim, 7 Drawing Sheets

(56) **References Cited**

U.S. PATENT DOCUMENTS

D536,181	S	2/2007	Wu	
7,303,101	B2	12/2007	Goldman	
D564,246	S *	3/2008	Ferrer	D6/367
D587,917	S *	3/2009	Barrese	D6/367
D591,522	S *	5/2009	Barrese	D6/367
D602,767	S *	10/2009	Chiu	D6/367
D605,498	S *	12/2009	Carl	D6/367
7,628,301	B2	12/2009	Goldman et al.	
7,766,198	B2	8/2010	Mainetti	
D625,986	S *	10/2010	Kolasa	D6/356
8,113,392	B2	2/2012	Gouldson	
8,141,756	B2	3/2012	Mainetti	
D661,111	S	6/2012	Yau	
D704,037	S *	5/2014	Popkin	D6/367
D756,755	S *	5/2016	Kuehn	D6/367
D872,567	S *	1/2020	Bond	D8/373
D976,083	S *	1/2023	Diefenbach	D6/367
2005/0173606	A1 *	8/2005	Taulbee	B60R 13/00 248/310
2006/0260040	A1 *	11/2006	Schmidt	A47K 3/38 4/558
2013/0299666	A1 *	11/2013	Miller	A47G 1/20 248/475.1
2015/0342383	A1	12/2015	Gilbert et al.	

* cited by examiner

FIG. 1

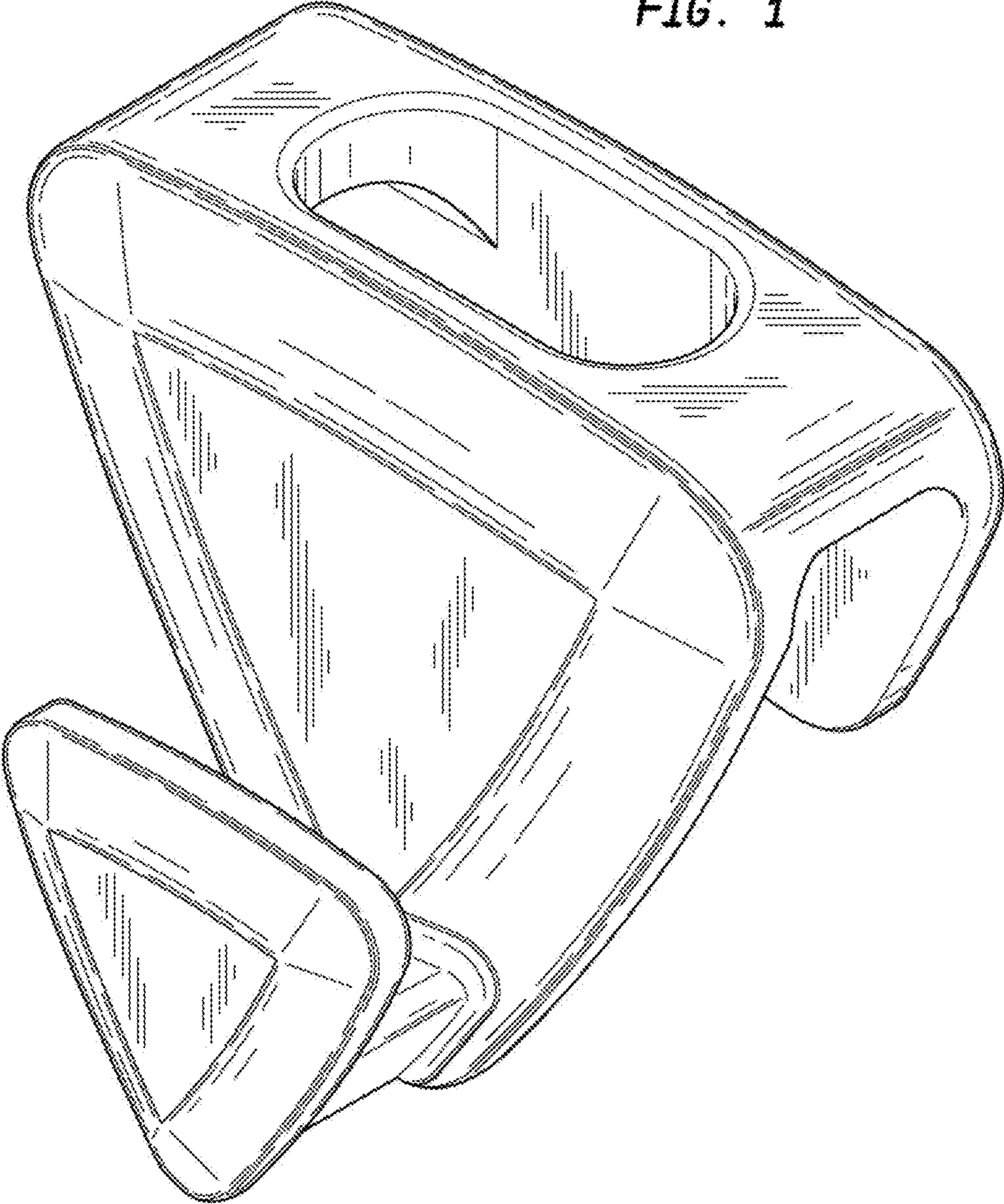


FIG. 2

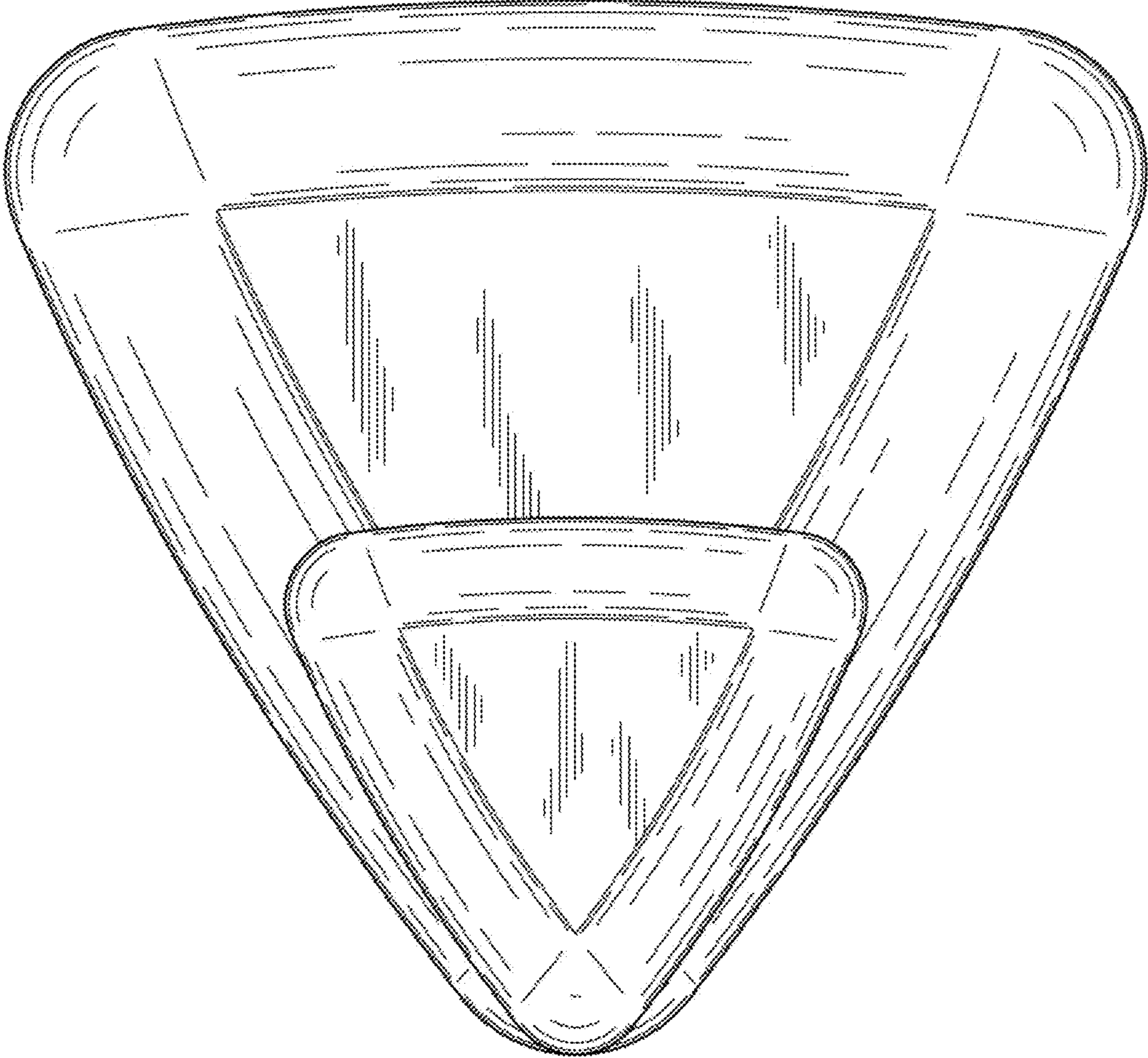


FIG. 3

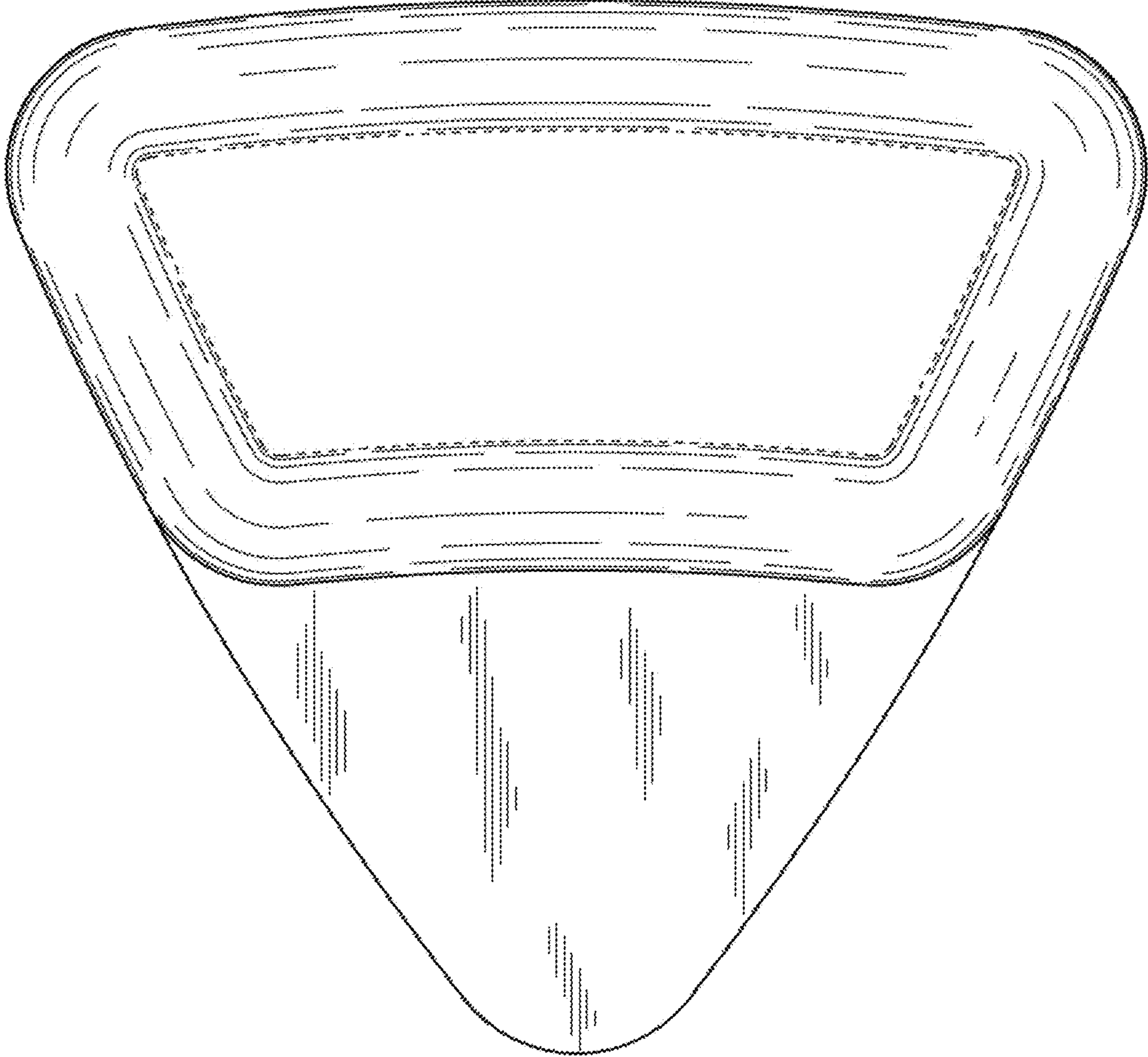


FIG. 4

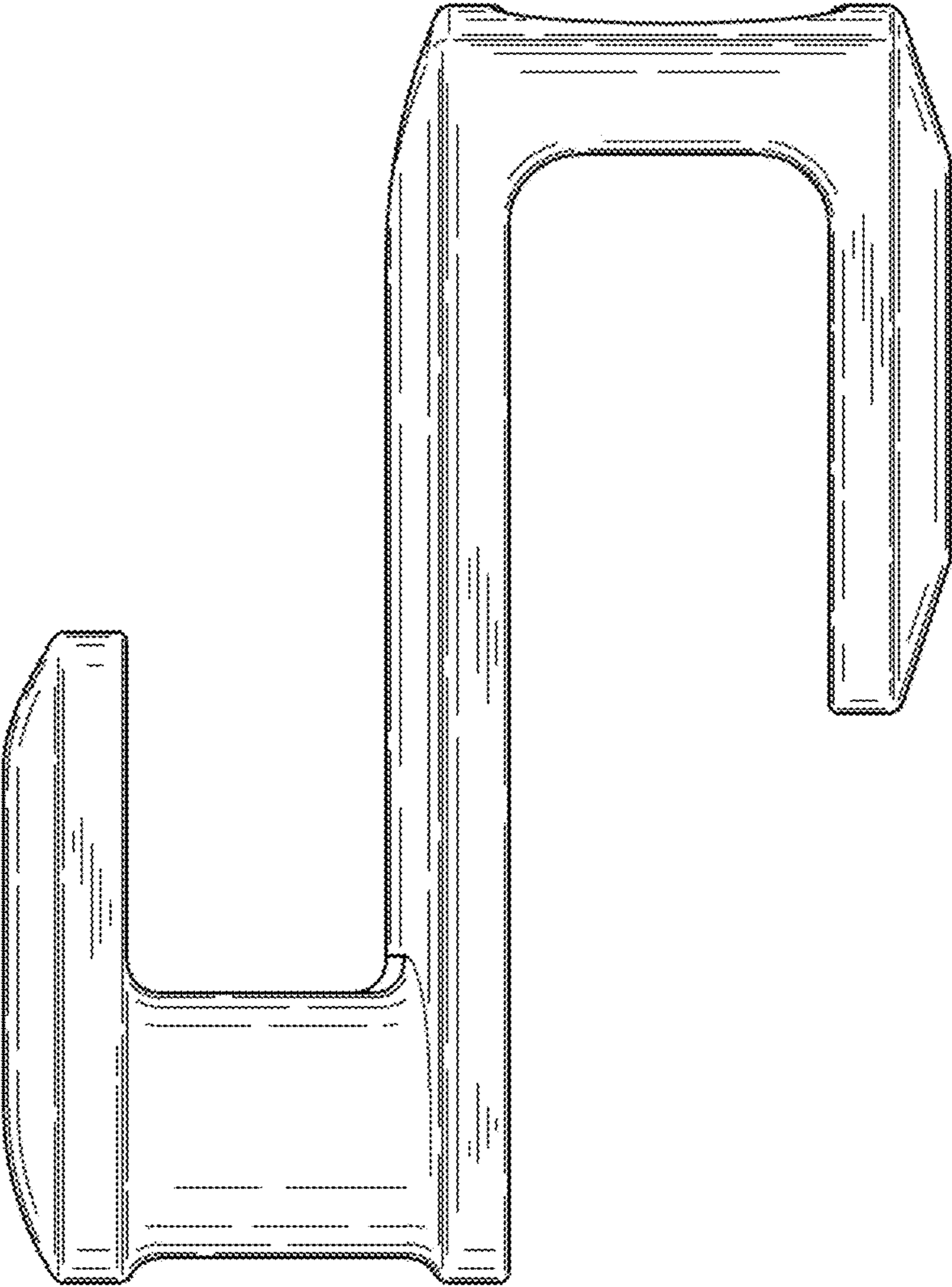


FIG. 5

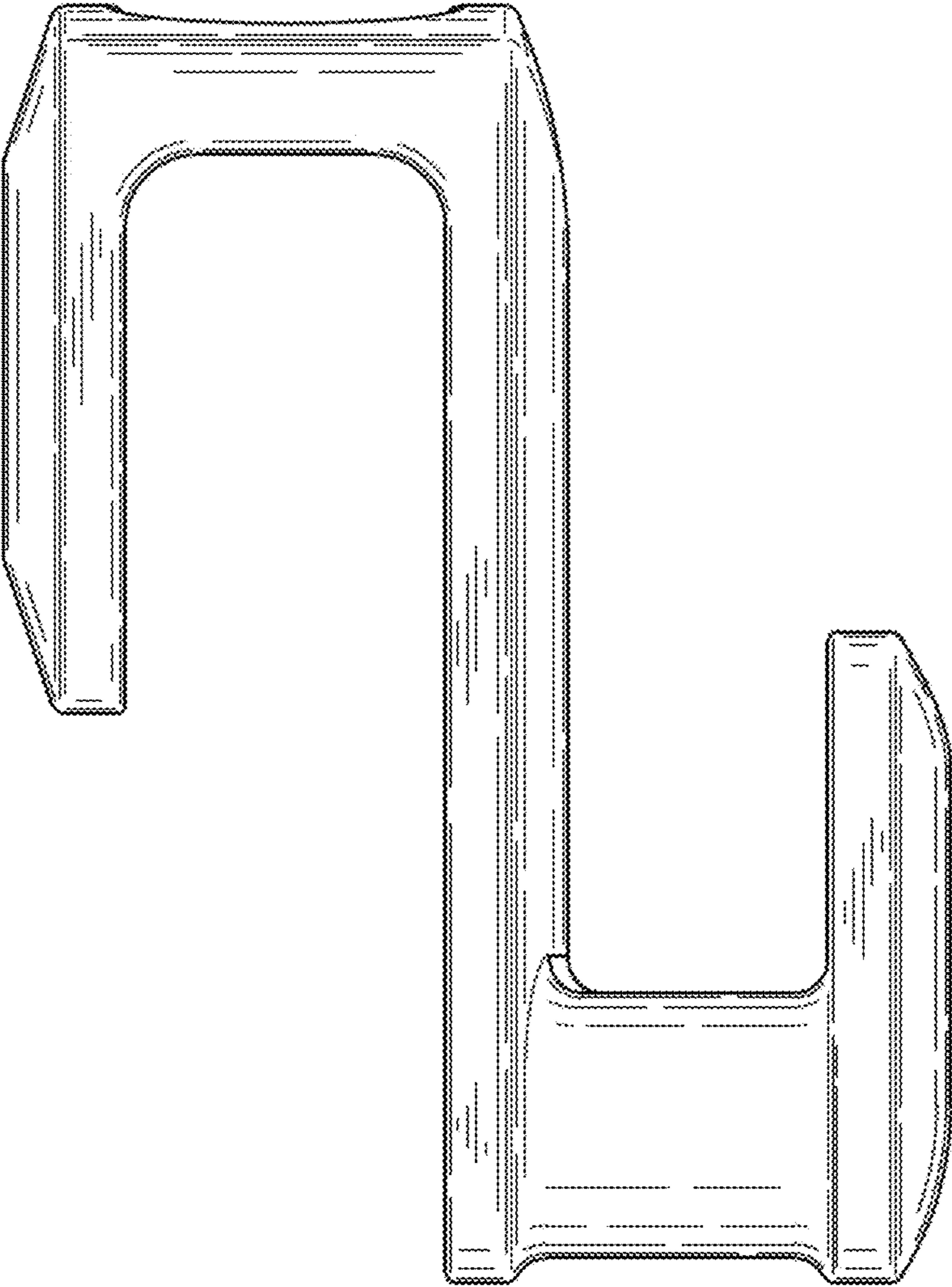


FIG. 6

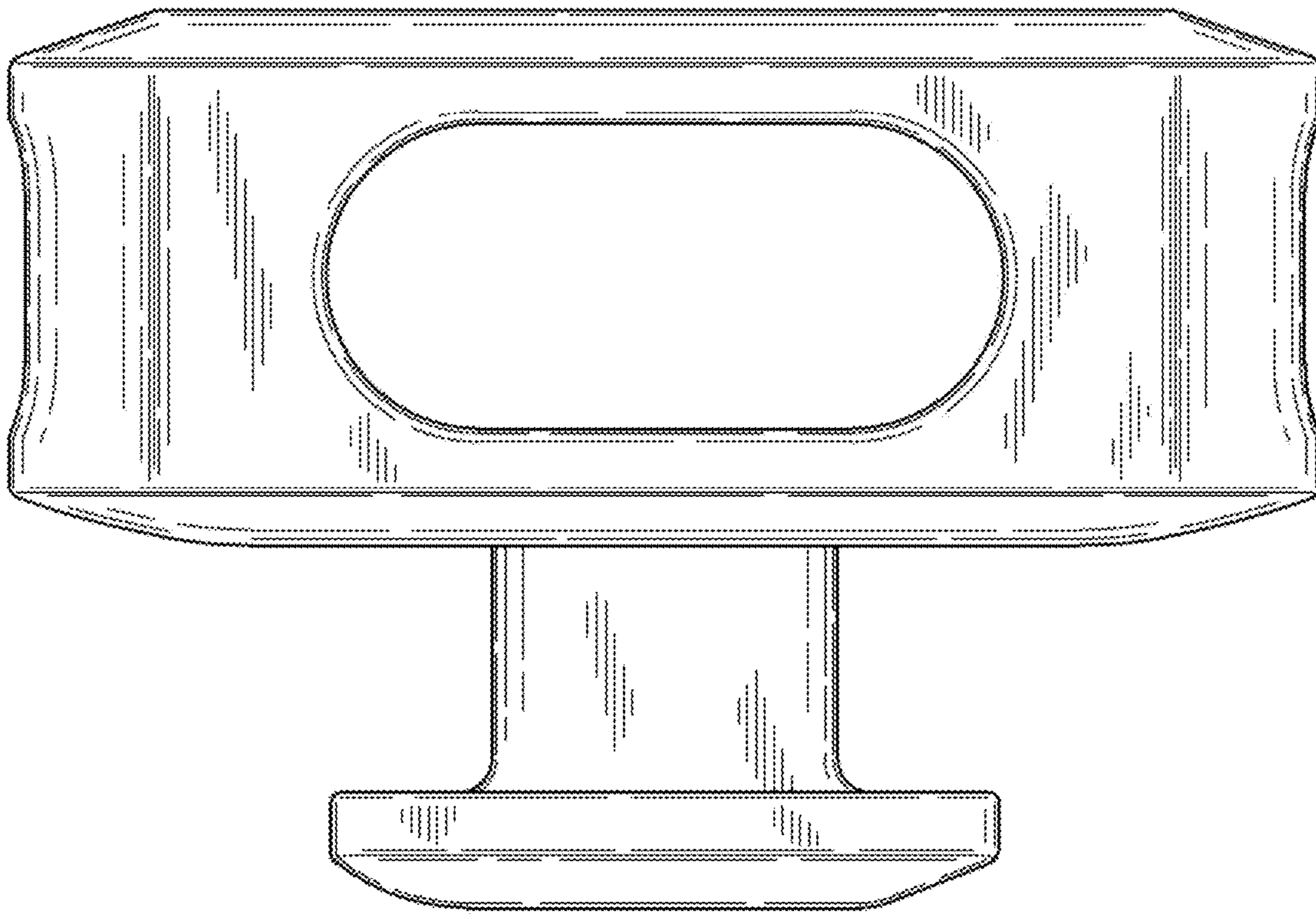


FIG. 7

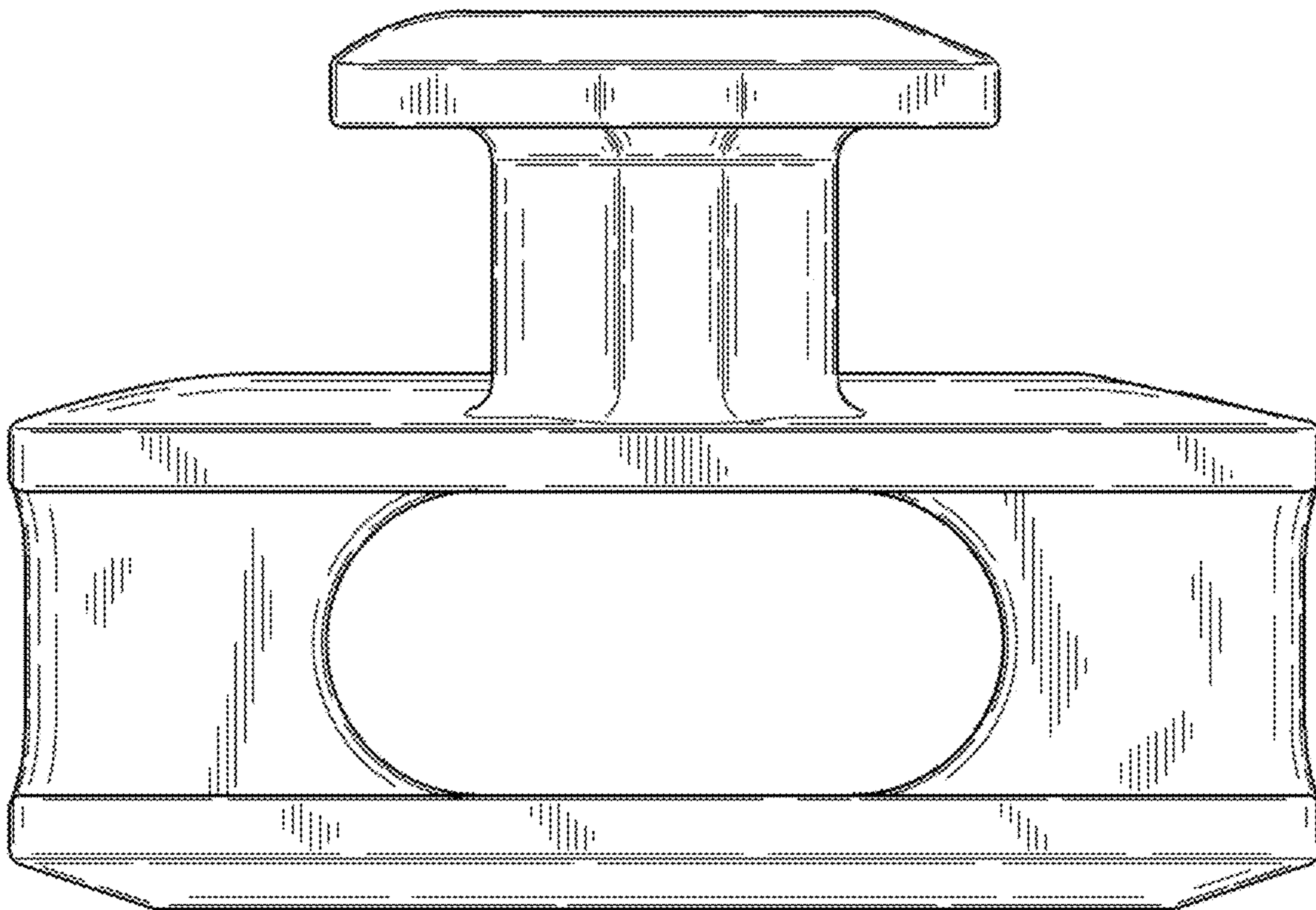


FIG. 8

