



US00D988114S

(12) **United States Design Patent** (10) **Patent No.:** **US D988,114 S**  
**Lu** (45) **Date of Patent:** **\*\* Jun. 6, 2023**

(54) **CURTAIN ROD BRACKET**  
(71) Applicant: **Jiangsu Mingqian Intellectual Property Co., Ltd., Wuxi (CN)**  
(72) Inventor: **Guoqing Lu, Wuxi (CN)**  
(73) Assignee: **Jiangsu Mingqian Intellectual Property Co., Ltd., Wuxi (CN)**

D48,665 S \* 2/1916 Peterson ..... D8/355  
D52,265 S \* 8/1918 Bosnjak ..... A47H 1/122  
D8/355  
D55,274 S \* 5/1920 Husser ..... D8/355  
D60,744 S \* 3/1922 Weyman ..... D8/355  
1,772,687 A \* 8/1930 Reinke ..... F16L 3/06  
24/67.11  
2,266,294 A \* 12/1941 Allderdice ..... A47G 7/044  
248/312.1

(Continued)

(\*\*) Term: **15 Years**

**OTHER PUBLICATIONS**

(21) Appl. No.: **29/848,894**

Amazon Basics Adjustable Curtain Rod Wall Bracket Hooks, Set of 2, Black; Amazon Basics Store; Amazon.ca; Apr. 30, 2017; Accessed Sep. 20, 2022; URL:< <https://www.amazon.ca/dp/B01N6CJ2OG?th=1> > (Year: 2017).\*

(22) Filed: **Aug. 5, 2022**

(30) **Foreign Application Priority Data**

Jun. 29, 2022 (CN) ..... 202230406026.1

(51) **LOC (14) Cl.** ..... **08-11**

(52) **U.S. Cl.**  
USPC ..... **D8/363**

(58) **Field of Classification Search**  
USPC ..... D8/353-356, 363, 376, 380, 381, 384,  
D8/394

CPC ... A47B 96/021; A47B 96/027; A47B 96/061;  
A47H 1/08; A47H 1/12; A47H 1/122;  
A47H 1/124; A47H 1/14; A47H 1/142;  
A47H 1/144; B65D 63/109; F16L 3/06;  
F16L 3/1025; F16L 3/1058; F16L 3/13;  
F16L 3/137; F16L 3/14

See application file for complete search history.

*Primary Examiner* — Rachel A. Voorhies

*Assistant Examiner* — Benjamin D. Wannemacher

(74) *Attorney, Agent, or Firm* — ScienBiziP, P.C.

(57) **CLAIM**

The ornamental design for a curtain rod bracket, as shown and described.

**DESCRIPTION**

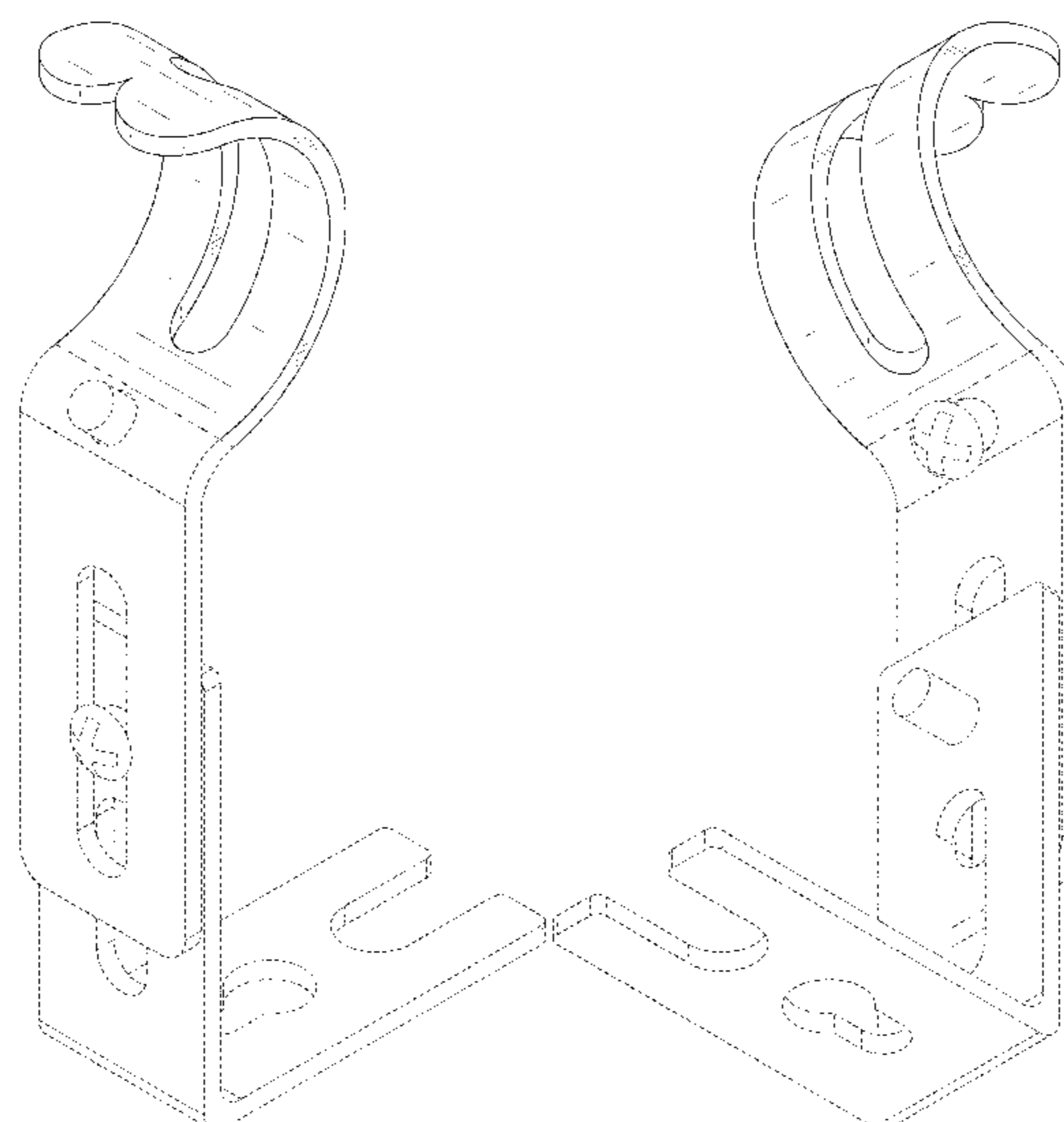
FIG. 1 is a right, front, and top perspective view of a curtain rod bracket, showing my design.  
FIG. 2 is a left, rear, and bottom elevation view thereof.  
FIG. 3 is a right elevation view thereof.  
FIG. 4 is a left side elevation view thereof.  
FIG. 5 is a front side elevation view thereof.  
FIG. 6 is a rear plan view thereof.  
FIG. 7 is a top plan view thereof.  
FIG. 8 is a bottom plan view thereof; and,  
FIG. 9 is a perspective view thereof in the rotatable state.  
The broken lines in the drawings depict portions of the curtain rod bracket that form no part of the claimed design.  
The dot-dot-dash lines define the bounds of the claimed design and form no part thereof.

(56) **References Cited**

**U.S. PATENT DOCUMENTS**

D5,262 S \* 9/1871 Sargent ..... D8/363  
D24,682 S \* 9/1895 Flanagan ..... D8/380  
D28,652 S \* 5/1898 Dettelbach ..... D8/394  
748,455 A \* 12/1903 Zimmerly ..... A47H 1/13  
248/257  
762,594 A \* 6/1904 Michaels ..... F16B 15/04  
248/254

**1 Claim, 9 Drawing Sheets**



(56)

**References Cited**

U.S. PATENT DOCUMENTS

2,859,879 A \* 11/1958 Rogers ..... A47B 96/061  
211/90.01  
3,104,086 A \* 9/1963 Salzmann ..... A47H 1/122  
248/262  
3,199,823 A \* 8/1965 Stall ..... A47H 1/122  
248/265  
D223,483 S \* 4/1972 Freegard ..... A47B 96/061  
D8/380  
3,669,395 A \* 6/1972 Gehrke ..... A47F 5/08  
108/29  
4,140,294 A \* 2/1979 Zwarts ..... A47H 1/122  
248/265  
4,322,050 A \* 3/1982 Roach ..... A47H 1/122  
248/265  
D310,623 S \* 9/1990 Aranibar ..... A47H 1/122  
D8/380  
D455,334 S 4/2002 Ivankovic  
D622,578 S 8/2010 Kollman  
10,376,086 B1 \* 8/2019 Mustafa ..... A47H 1/122  
D859,963 S 9/2019 Hanley  
D935,868 S 11/2021 Hanley et al.  
D961,371 S \* 8/2022 Ford ..... A47H 1/122  
D8/380

\* cited by examiner

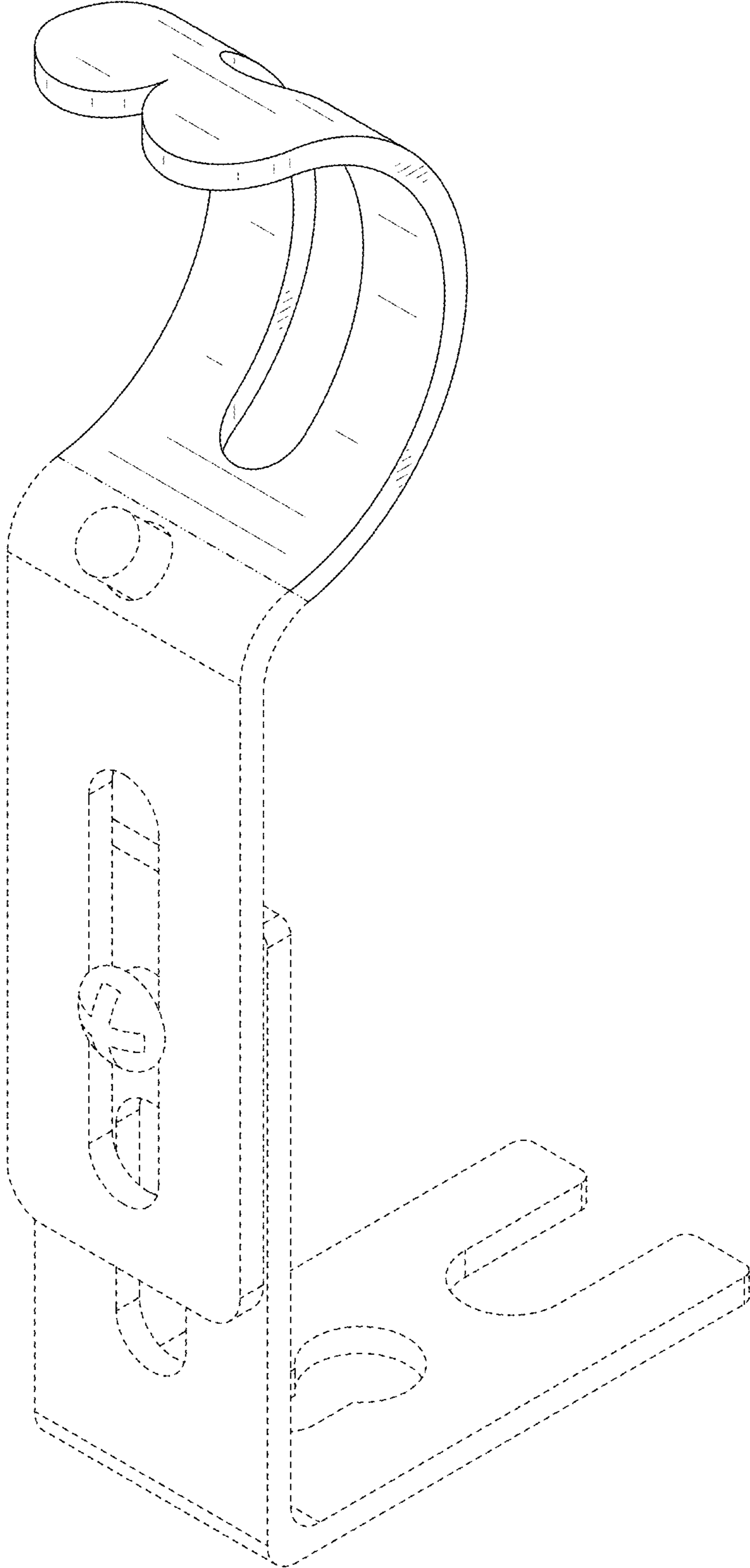


FIG. 1

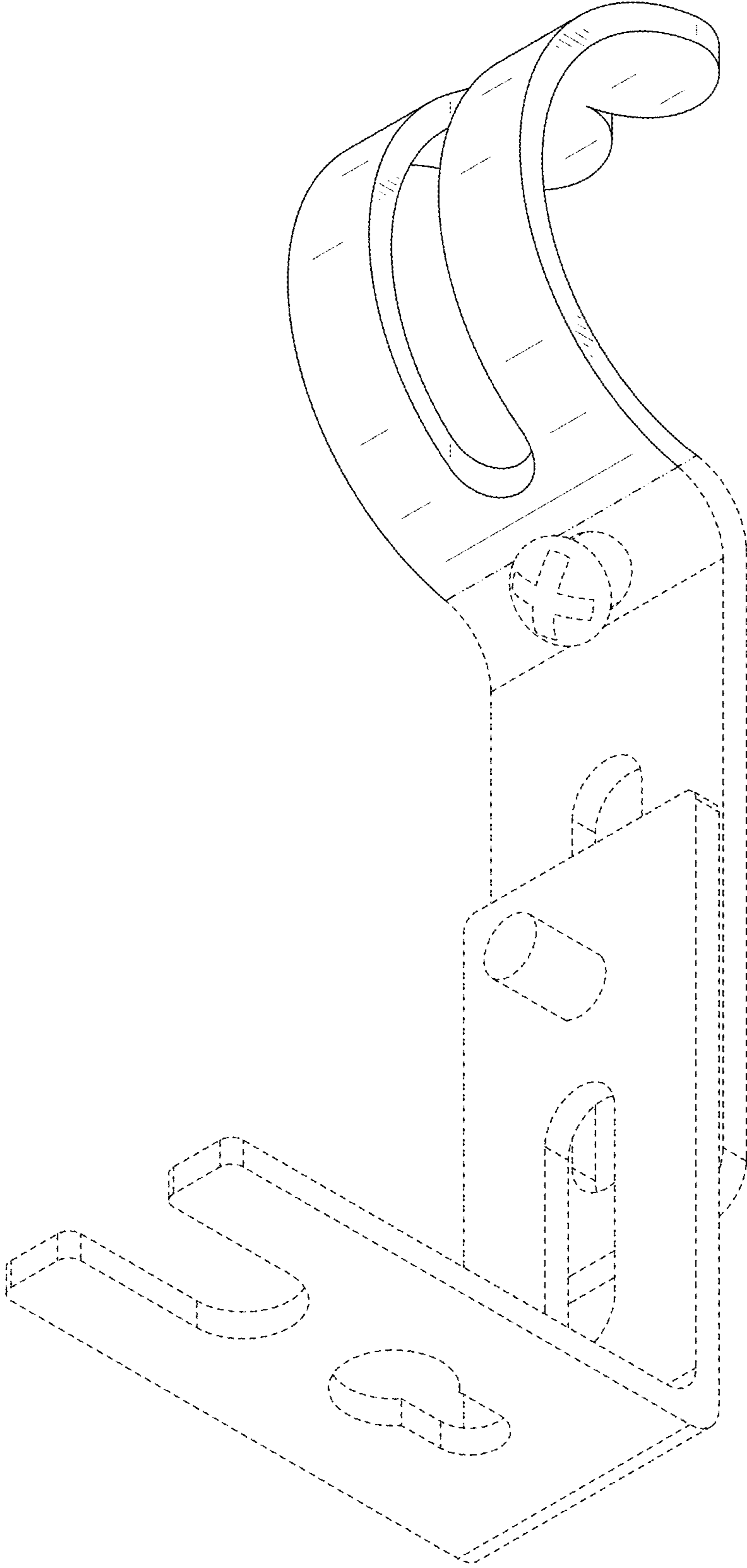


FIG. 2

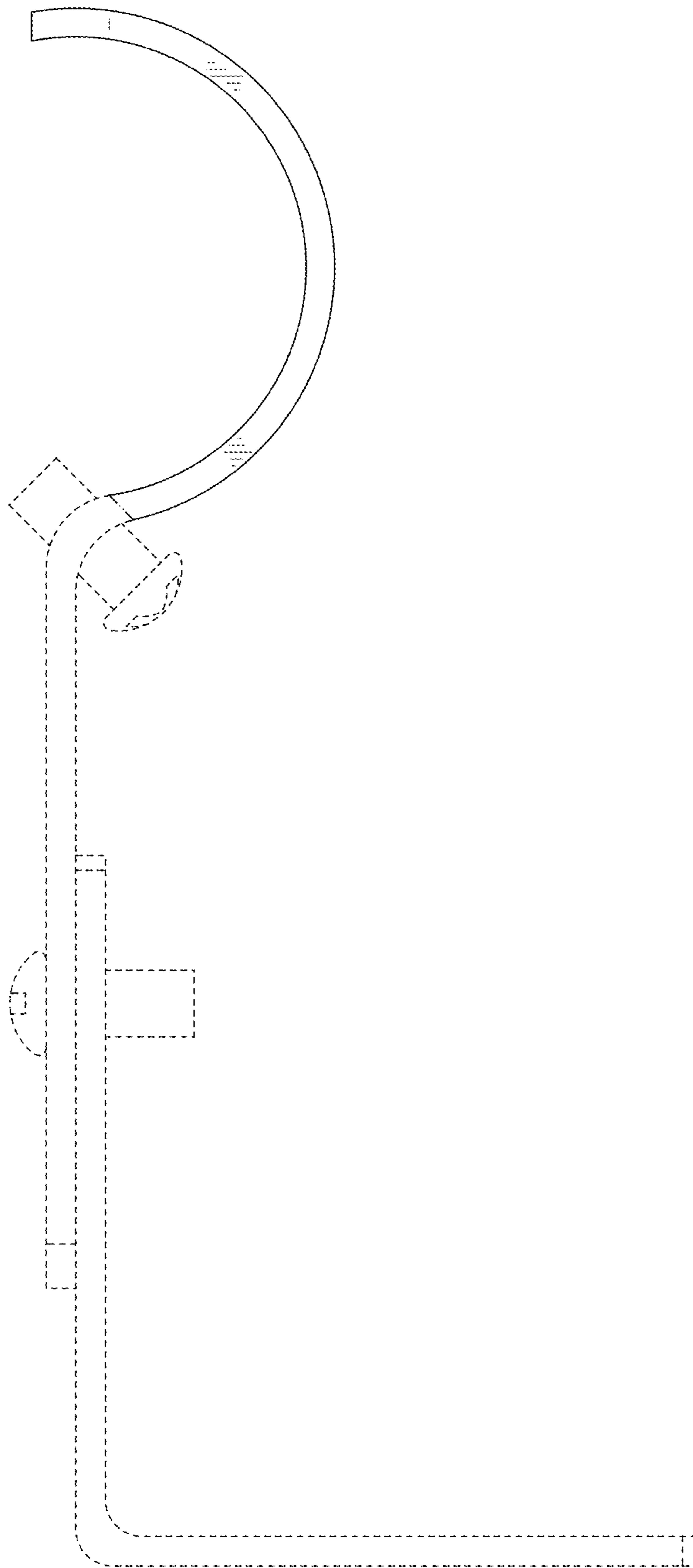


FIG. 3

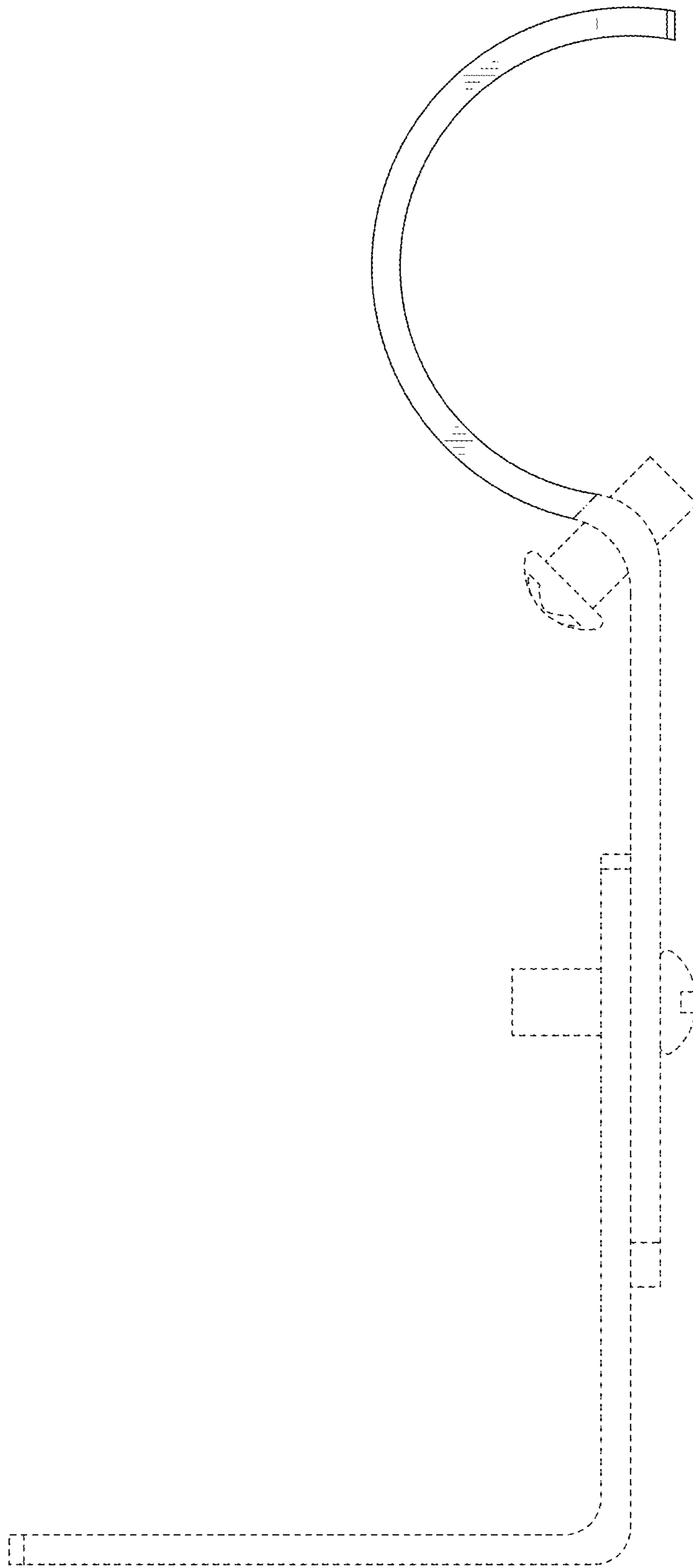


FIG. 4

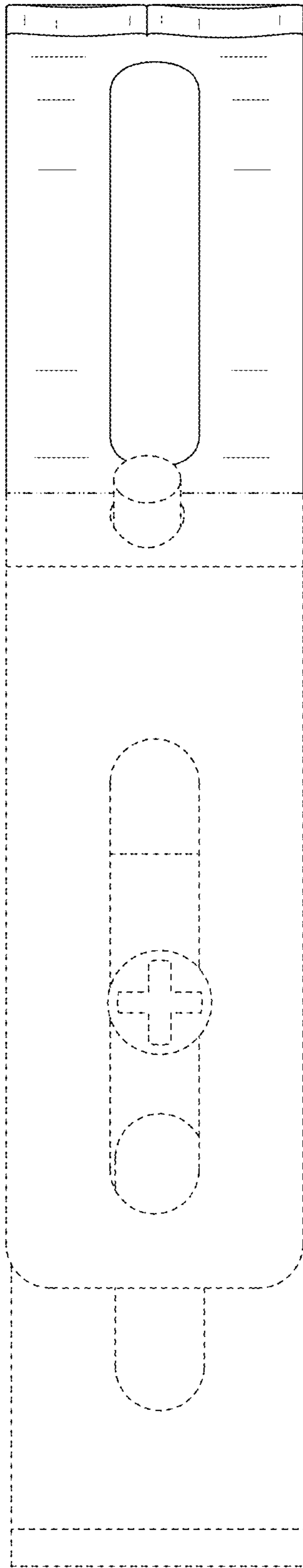


FIG. 5

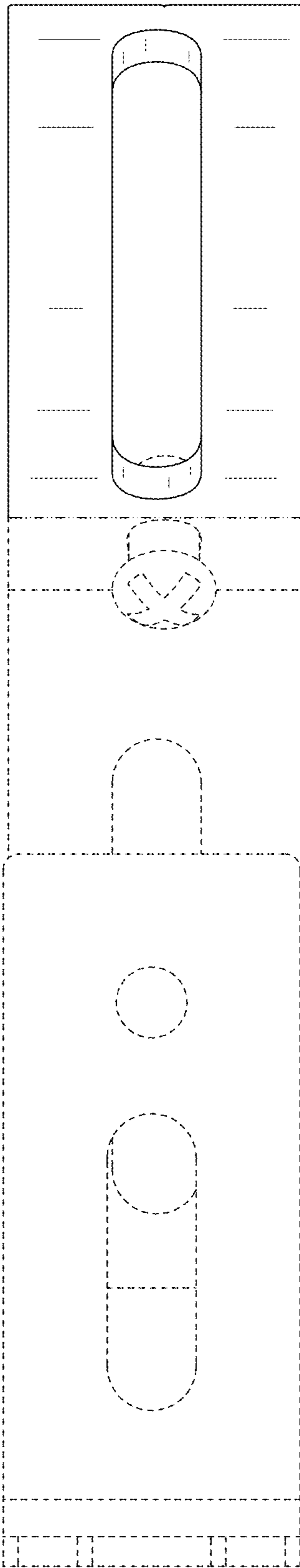


FIG. 6



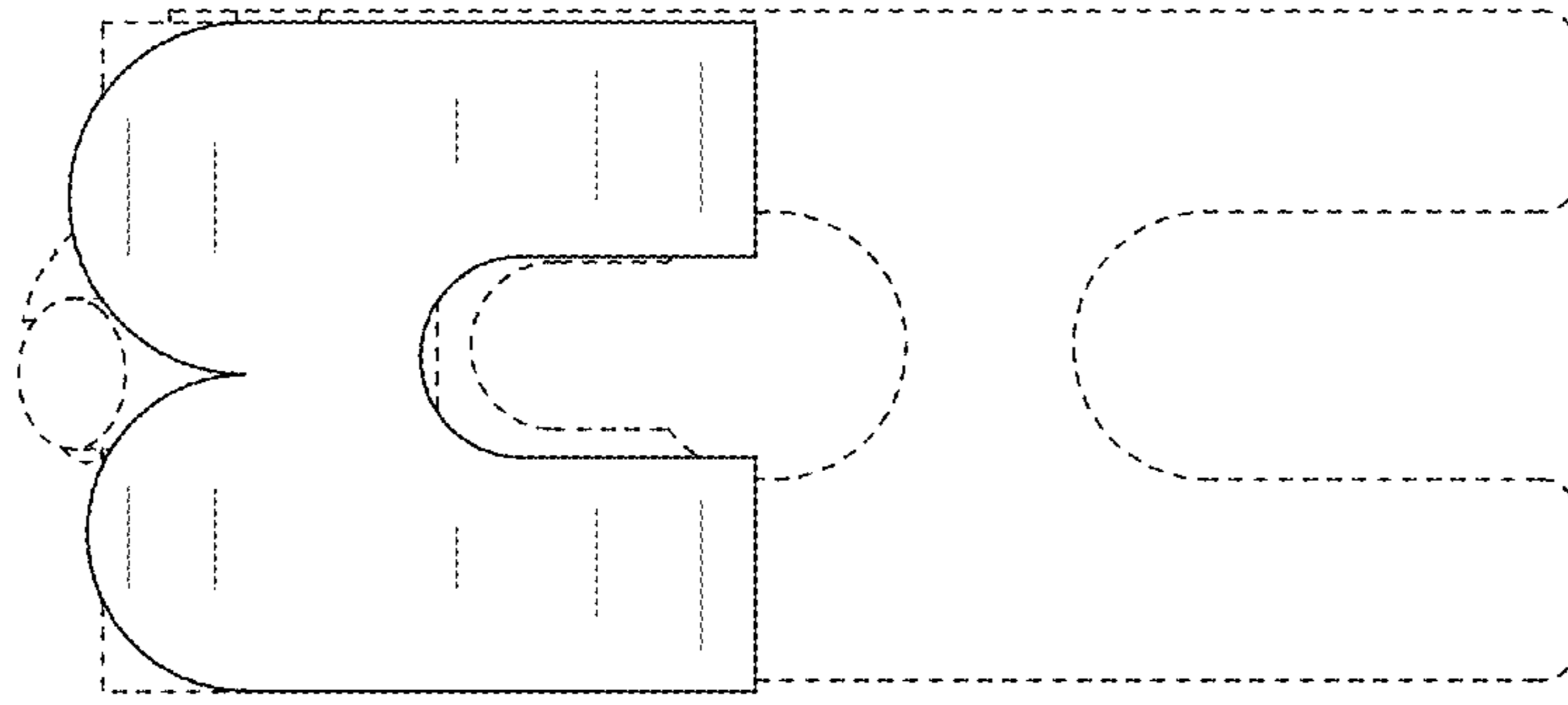


FIG. 7

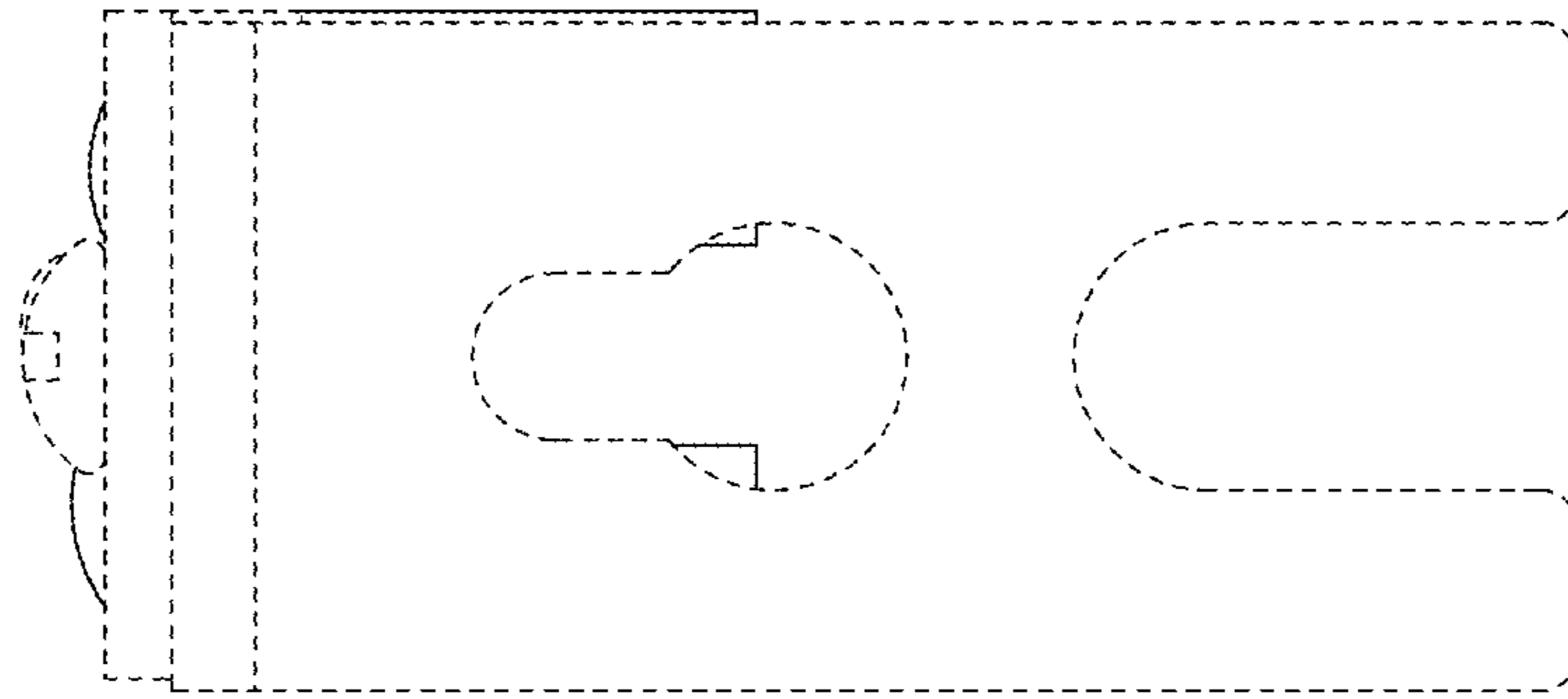


FIG. 8

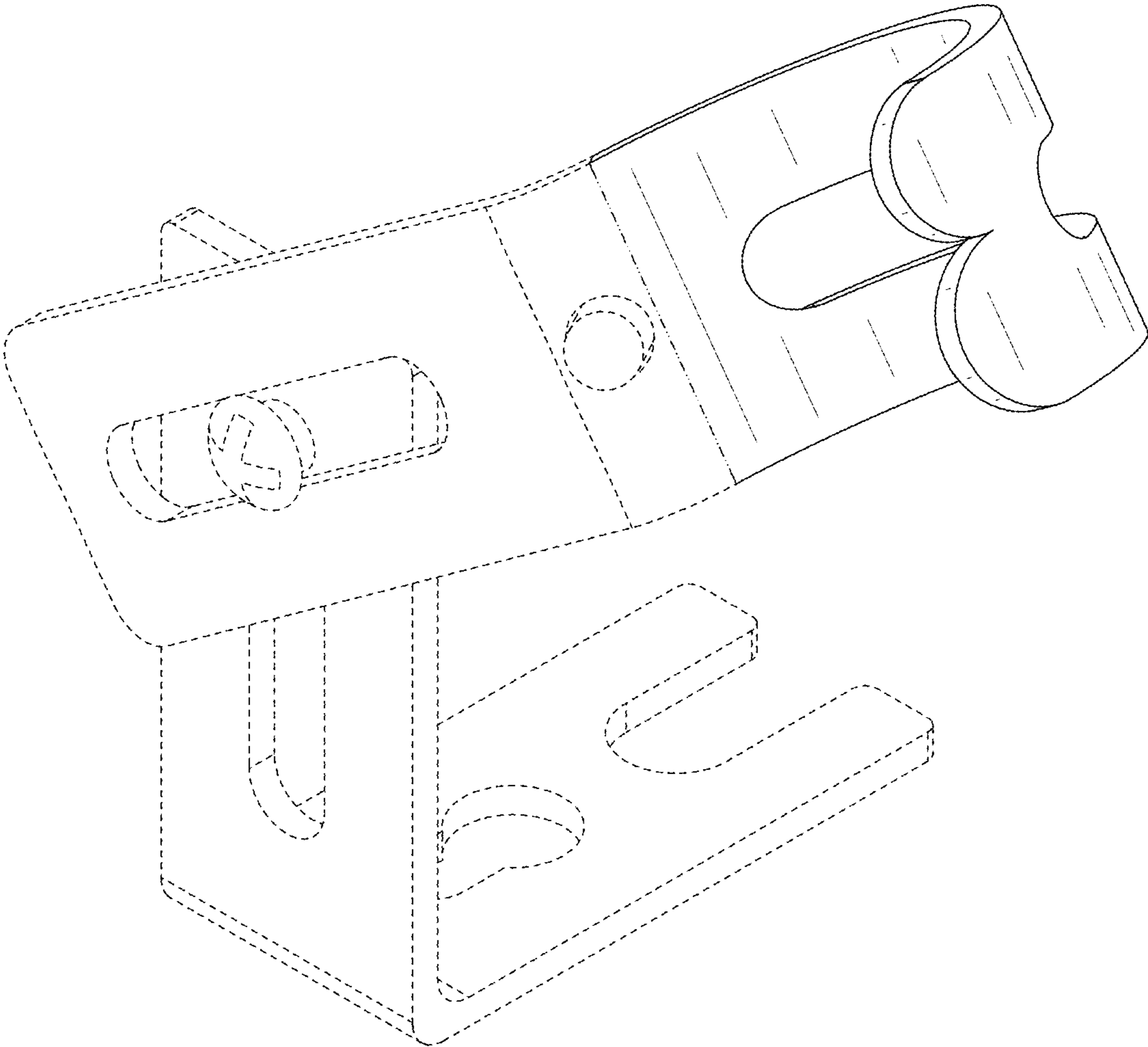


FIG. 9