



US00D988113S

(12) **United States Design Patent**  
**Krohlow**

(10) **Patent No.:**           **US D988,113 S**  
(45) **Date of Patent:**   **\*\*   Jun. 6, 2023**

(54) **RECEPTACLE FOR PIPELINE INSPECTION  
DEVICE**

(71) Applicant: **MILWAUKEE ELECTRIC TOOL  
CORPORATION**, Brookfield, WI (US)

(72) Inventor: **Samuel J. Krohlow**, Milwaukee, WI  
(US)

(73) Assignee: **MILWAUKEE ELECTRIC TOOL  
CORPORATION**, Brookfield, WI (US)

(\*\*) Term:       **15 Years**

(21) Appl. No.: **29/690,656**

(22) Filed:      **May 9, 2019**

(51) **LOC (14) Cl.** ..... **08-11**

(52) **U.S. Cl.**  
USPC ..... **D8/358; D13/137.4**

(58) **Field of Classification Search**  
USPC ..... D8/354, 358, 359, 356; D13/153, 184,  
D13/199, 120, 137.4, 110, 155  
CPC ..... F16L 55/30; F16L 2101/30; G01M 3/005;  
G01N 21/954  
See application file for complete search history.

(56)           **References Cited**

U.S. PATENT DOCUMENTS

2,301,104 A *	11/1942	Yost	.....	B65H 75/38 191/12.4
D196,100 S	8/1963	O'Neill		
3,400,230 A *	9/1968	Becker	.....	H02G 11/02 191/12.2 R
3,976,260 A *	8/1976	Irik	.....	B65H 75/403 242/407
D257,576 S *	12/1980	Bobrovniczky	.....	D8/358
4,255,762 A	3/1981	Takeyasu et al.		
D260,985 S *	9/1981	Moylan	.....	D8/358

4,576,097 A \*   3/1986   Foster ..... B08B 9/0551  
406/10

4,611,360 A     9/1986   Irwin  
D286,134 S \*  10/1986  Schwartz ..... D8/358  
(Continued)

FOREIGN PATENT DOCUMENTS

DE           202005002976 U1    8/2005  
EP           0987541 A1         3/2000  
(Continued)

OTHER PUBLICATIONS

Gen-Eye Prism Video Pipe Inspection System, <<https://drainbrain.com/products/gen-eye-prism/>> website available as early as Dec. 14, 2017.  
(Continued)

*Primary Examiner* — Keli L Hill  
*Assistant Examiner* — Harold E Blackwell, II  
(74) *Attorney, Agent, or Firm* — Michael Best & Friedrich LLP

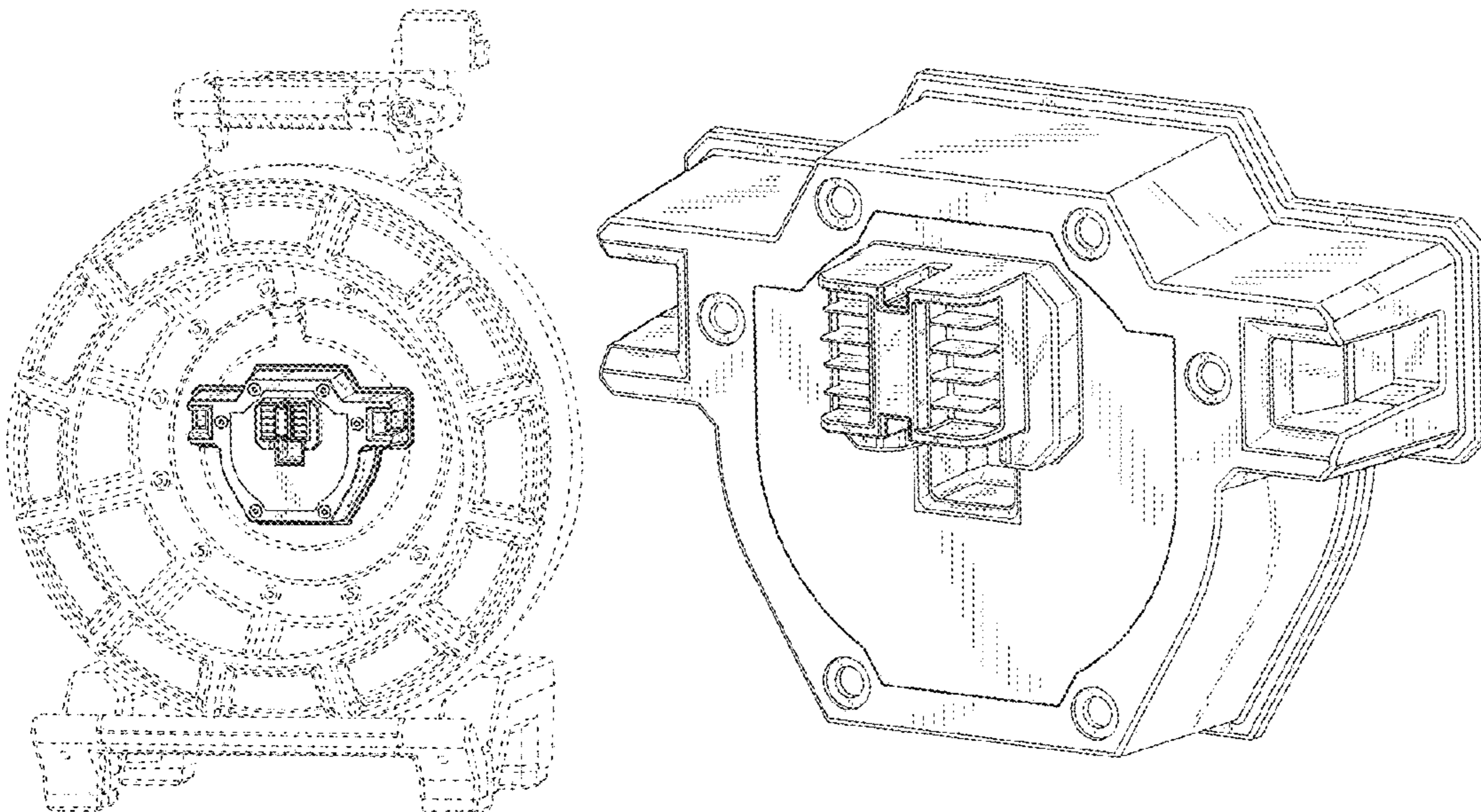
(57)                           **CLAIM**

I claim the ornamental design for a receptacle for a pipeline inspection device, as shown and described.

**DESCRIPTION**

FIG. 1 is a perspective view of a pipeline inspection device including a receptacle embodying the invention.  
FIG. 2 is a perspective view of the receptacle of FIG. 1.  
FIG. 3 is a front view of the receptacle of FIG. 1.  
FIG. 4 is a rear view of the receptacle of FIG. 1.  
FIG. 5 is a top view of the receptacle of FIG. 1.  
FIG. 6 is a bottom view of the receptacle of FIG. 1.  
FIG. 7 is a first side view of the receptacle of FIG. 1; and, FIG. 8 is a second side view of the receptacle of FIG. 1.  
Portions of the pipeline inspection device and the receptacle shown in broken lines form no part of the claimed design.

**1 Claim, 8 Drawing Sheets**



(56)

## References Cited

## U.S. PATENT DOCUMENTS

D286,503	S *	11/1986	Bobrovniczky .....	D13/139.7	8,616,734	B2	12/2013	Olsson
4,725,883	A	2/1988	Clark, Jr. et al.		8,632,230	B2	1/2014	Olsson et al.
4,913,558	A	4/1990	Wettervik et al.		8,635,043	B1	1/2014	Olsson et al.
4,974,168	A	11/1990	Marx		8,717,028	B1	5/2014	Merewether et al.
4,987,584	A	1/1991	Doenges		8,773,133	B1	7/2014	Olsson et al.
5,014,925	A *	5/1991	Cump .....	B65H 75/406 242/405.3	8,864,326	B2	10/2014	Armer et al.
5,309,595	A	5/1994	Salecker et al.		8,931,131	B1	1/2015	Feduke
5,649,674	A	7/1997	Ciekler		8,970,211	B1	3/2015	Olsson et al.
5,754,220	A	5/1998	Smalser, Sr.		8,984,698	B1	3/2015	Olsson
6,457,669	B1 *	10/2002	Chuang .....	B65H 75/44 242/588.2	9,019,364	B2	4/2015	Brignac et al.
6,545,704	B1	4/2003	Olsson et al.		9,041,794	B1	5/2015	Olsson et al.
D475,277	S *	6/2003	Wu .....	D8/358	9,057,754	B2	6/2015	Olsson et al.
6,697,102	B1	2/2004	Olsson et al.		9,080,992	B2	7/2015	Olsson et al.
6,831,679	B1	12/2004	Olsson et al.		9,081,109	B1	7/2015	Olsson et al.
6,846,285	B2	1/2005	Hasegawa et al.		9,082,269	B2	7/2015	Olsson et al.
6,862,945	B2	3/2005	Chapman et al.		9,091,416	B1	7/2015	Olsson et al.
6,889,701	B2 *	5/2005	Kovacik .....	B65H 75/48 137/557	9,151,484	B1	7/2015	Olsson et al.
6,908,310	B1	6/2005	Olsson et al.		9,134,255	B1	9/2015	Olsson et al.
6,931,149	B2	8/2005	Hagene et al.		9,134,817	B2	9/2015	Olsson
6,958,767	B2	10/2005	Olsson et al.		9,143,740	B2	9/2015	Hansen et al.
7,009,399	B2	3/2006	Olsson et al.		9,207,350	B2	12/2015	Olsson et al.
7,044,623	B2	5/2006	Olsson et al.		9,222,809	B1	12/2015	Olsson et al.
7,104,951	B2	9/2006	Hasegawa et al.		9,234,812	B2	1/2016	Krywyj
7,136,765	B2	11/2006	Maier et al.		9,239,512	B2	1/2016	Foss et al.
7,164,476	B2	1/2007	Shima et al.		9,277,105	B2	3/2016	Olsson et al.
7,221,136	B2	5/2007	Olsson et al.		9,285,109	B1	3/2016	Olsson et al.
7,298,126	B1	11/2007	Olsson et al.		9,304,055	B2	4/2016	Hansen et al.
7,332,901	B2	2/2008	Olsson et al.		9,316,387	B1	4/2016	Olsson et al.
7,336,078	B1	2/2008	Merewether et al.		D755,726	S *	5/2016	Michas .....
7,359,611	B1	4/2008	Kaplan		9,341,740	B1	5/2016	Olsson et al.
7,443,154	B1	10/2008	Merewether et al.		9,372,117	B2	6/2016	Olsson et al.
D580,857	S *	11/2008	Matthew .....	D13/110	9,388,973	B1	7/2016	Olsson et al.
7,498,797	B1	3/2009	Olsson et al.		9,411,066	B1	8/2016	Olsson et al.
7,498,816	B1	3/2009	Olsson et al.		9,411,067	B2	8/2016	Olsson et al.
7,518,374	B1	4/2009	Olsson et al.		9,416,957	B2	8/2016	Olsson et al.
7,551,197	B2 *	6/2009	Penza .....	G01N 21/88 396/19	9,429,301	B2	8/2016	Olsson et al.
7,557,559	B1	7/2009	Olsson et al.		9,435,907	B2	9/2016	Olsson et al.
D604,244	S *	11/2009	Kovacik .....	D13/137.4	9,448,376	B2	9/2016	Chapman et al.
7,619,516	B2	11/2009	Olsson et al.		9,465,129	B1	10/2016	Olsson et al.
7,676,879	B1	3/2010	Rutenberg et al.		9,468,954	B1	10/2016	Olsson et al.
7,715,701	B2	5/2010	Lange		9,477,147	B2	10/2016	Chapman et al.
7,733,077	B1	6/2010	Merewether et al.		9,488,747	B2	11/2016	Olsson et al.
7,741,848	B1	6/2010	Olsson et al.		9,494,706	B2	11/2016	Olsson et al.
7,825,647	B2	11/2010	Olsson et al.		9,506,628	B1	11/2016	Merewether et al.
7,830,149	B1	11/2010	Olsson et al.		9,512,988	B2	12/2016	Olsson et al.
7,863,885	B1	1/2011	Olsson et al.		9,521,303	B2	12/2016	Olsson et al.
D636,253	S *	4/2011	Hatcher .....	D8/358	9,523,788	B1	12/2016	Olsson et al.
7,948,236	B1	5/2011	Olsson et al.		9,571,326	B2	2/2017	Bench et al.
7,990,151	B2	8/2011	Olsson et al.		9,574,760	B1	2/2017	Olsson et al.
8,013,610	B1	9/2011	Merewether et al.		9,599,740	B2	3/2017	Olsson
8,033,677	B1	10/2011	Olsson et al.		9,625,602	B2	4/2017	Olsson
8,035,390	B2	10/2011	Olsson et al.		9,632,202	B2	4/2017	Olsson et al.
8,074,916	B2 *	12/2011	Penumatcha .....	G02B 6/4457 242/604	9,634,878	B1	4/2017	Bench et al.
8,106,660	B1	1/2012	Merewether et al.		9,638,824	B2	5/2017	Olsson et al.
8,167,468	B1	5/2012	Olsson et al.		9,684,090	B1	6/2017	Olsson et al.
8,172,434	B1	5/2012	Olsson		9,695,008	B2 *	7/2017	Thakare .....
8,176,593	B2	5/2012	Gress et al.		9,696,447	B1	7/2017	Olsson et al.
8,203,343	B1	6/2012	Olsson et al.		9,696,448	B2	7/2017	Olsson et al.
8,248,056	B1	8/2012	Olsson et al.		9,703,002	B1	7/2017	Olsson et al.
8,264,226	B1	9/2012	Olsson et al.		9,746,170	B1	8/2017	Armer et al.
8,279,278	B2	10/2012	Park et al.		9,746,572	B2	8/2017	Olsson et al.
8,289,385	B2	10/2012	Olsson et al.		9,746,573	B1	8/2017	Olsson et al.
8,395,661	B1	3/2013	Olsson et al.		9,769,366	B2	9/2017	Olsson et al.
8,400,154	B1	3/2013	Olsson et al.		9,784,837	B1	10/2017	Olsson et al.
8,540,429	B1	9/2013	Olsson et al.		9,791,382	B2	10/2017	Olsson et al.
8,547,428	B1	10/2013	Olsson et al.		9,798,033	B2	10/2017	Olsson et al.
8,564,295	B2	10/2013	Olsson et al.		9,824,433	B2	11/2017	Olsson et al.
8,587,648	B2	11/2013	Olsson et al.		9,829,783	B1	11/2017	Chapman et al.
8,616,725	B2	12/2013	Olsson et al.		9,835,564	B2	12/2017	Olsson et al.
					9,841,503	B2	12/2017	Olsson et al.
					9,863,590	B2	1/2018	Olsson et al.
					9,880,309	B2	1/2018	Merewether et al.
					9,891,337	B2	2/2018	Olsson et al.
					9,924,139	B2	3/2018	Olsson et al.
					9,927,368	B1	3/2018	Olsson et al.
					9,927,545	B2	3/2018	Olsson et al.
					9,927,546	B2	3/2018	Olsson et al.
					9,928,613	B2	3/2018	Olsson et al.
					D815,049	S *	4/2018	Temblador .....

(56)

References Cited

U.S. PATENT DOCUMENTS

9,945,976 B2 4/2018 Olsson et al.  
9,989,662 B1 6/2018 Olsson et al.  
10,001,425 B1 6/2018 Olsson et al.  
10,009,519 B2 6/2018 Olsson et al.  
10,009,582 B2 6/2018 Olsson et al.  
10,024,366 B2 7/2018 Kleyn et al.  
10,024,994 B1 7/2018 Cox et al.  
10,031,253 B2 7/2018 Olsson et al.  
D836,560 S \* 12/2018 Temblador ..... D13/154  
10,364,125 B2 \* 7/2019 Blair ..... B65H 75/4442  
10,434,547 B2 \* 10/2019 Turner ..... B65H 75/4484  
11,052,809 B2 \* 7/2021 Weber ..... B65H 75/425  
11,059,695 B2 \* 7/2021 Zahnd ..... B65H 75/38  
11,248,982 B2 \* 2/2022 Krohlow ..... B65H 75/364  
2002/0032365 A1 3/2002 Hasegawa et al.  
2002/0113870 A1 8/2002 Mueckl et al.  
2002/0154811 A1 10/2002 Katsuta et al.  
2003/0052967 A1 3/2003 Brunton  
2004/0054259 A1 3/2004 Hasegawa et al.  
2005/0193509 A1 9/2005 Rutkowski et al.  
2006/0195994 A1 9/2006 Hung  
2007/0132842 A1 6/2007 Morris  
2007/0297778 A1 12/2007 Lange  
2008/0098544 A1 5/2008 Rutkowski et al.  
2008/0229527 A1 9/2008 Berry  
2010/0127922 A1 5/2010 Sooy  
2010/0208056 A1 8/2010 Olsson et al.  
2011/0098941 A1 4/2011 Duckworth et al.  
2012/0069172 A1 3/2012 Hudritsch  
2012/0147173 A1 6/2012 Lynch  
2012/0203501 A1 8/2012 Gress et al.  
2012/0206501 A1 8/2012 Gress et al.  
2012/0211580 A1 8/2012 Kleyn et al.  
2012/0242341 A1 9/2012 Olsson et al.  
2013/0164567 A1 6/2013 Olsson et al.  
2013/0214786 A1 8/2013 Hansen et al.  
2013/0218485 A1 8/2013 Hansen et al.  
2013/0235271 A1 9/2013 Kasuga et al.  
2014/0111376 A1 2/2014 Bench et al.  
2014/0152802 A1 6/2014 Olsson et al.  
2014/0154535 A1 6/2014 Olsson et al.  
2014/0159729 A1 6/2014 Olsson et al.  
2014/0167766 A1 6/2014 Olsson et al.  
2014/0168407 A1 6/2014 Olsson et al.  
2014/0176696 A1 6/2014 Chapman et al.  
2014/0210989 A1 7/2014 Olsson et al.  
2014/0313316 A1 10/2014 Olsson et al.  
2014/0313321 A1 10/2014 Olsson et al.  
2015/0055005 A1 2/2015 Olsson et al.  
2015/0077120 A1 3/2015 Olsson et al.  
2015/0101896 A1 4/2015 Kleyn et al.  
2015/0263434 A1 9/2015 Bench et al.  
2015/0263469 A1 9/2015 Olsson  
2015/0350506 A1 12/2015 Olsson et al.  
2015/0355363 A1 12/2015 Merewether et al.  
2016/0141766 A1 5/2016 Olsson et al.  
2016/0173829 A1 6/2016 Olsson et al.  
2016/0187522 A1 6/2016 Olsson et al.  
2016/0261829 A1 9/2016 Olsson et al.  
2016/0373619 A1 12/2016 Olsson et al.

2017/0015490 A1 1/2017 Olsson et al.  
2017/0017010 A1 1/2017 Olsson et al.  
2017/0023492 A1 1/2017 Olsson et al.  
2017/0024872 A1 1/2017 Olsson et al.  
2017/0115424 A1 4/2017 Olsson et al.  
2017/0128989 A1 5/2017 Olsson et al.  
2017/0130950 A1 5/2017 Olsson et al.  
2017/0131422 A1 5/2017 Olsson et al.  
2017/0131423 A1 5/2017 Olsson et al.  
2017/0131424 A1 5/2017 Olsson  
2017/0134693 A1 5/2017 Chapman et al.  
2017/0160420 A1 6/2017 Olsson et al.  
2017/0163940 A1 6/2017 Olsson et al.  
2017/0176344 A9 6/2017 Olsson et al.  
2017/0191651 A1 7/2017 Merewether et al.  
2017/0200352 A1 7/2017 Olsson et al.  
2017/0235010 A1 8/2017 Olsson et al.  
2017/0261196 A1 9/2017 Chapman et al.  
2017/0261630 A1 9/2017 Olsson et al.  
2017/0299757 A1 10/2017 Bench et al.  
2017/0307670 A1 10/2017 Olsson  
2017/0363764 A1 12/2017 Aldridge et al.  
2018/0022535 A9 1/2018 Olsson et al.  
2018/0038093 A1 2/2018 Olsson et al.  
2018/0085696 A1 3/2018 Morris et al.  
2018/0128931 A1 5/2018 Olsson et al.  
2018/0165924 A9 6/2018 Olsson et al.  
2018/0202940 A1 7/2018 Olsson et al.  
2018/0231208 A1 8/2018 Chapman et al.  
2019/0346330 A1 11/2019 Krohlow et al.  
2021/0164601 A1 6/2021 Warren et al.  
2021/0250551 A1 8/2021 Turner  
2021/0354178 A1 11/2021 Turner et al.  
2022/0085592 A1 3/2022 Olsson et al.  
2022/0268393 A1 8/2022 Moreau et al.

FOREIGN PATENT DOCUMENTS

EP 1296131 A2 3/2003  
EP 2313211 B1 9/2015  
JP 2010-096718 A 4/2010  
WO 0107954 A1 2/2001  
WO 2003025536 A2 3/2003  
WO 2014145778 A1 3/2003  
WO 2006078873 A9 1/2009  
WO 2012168736 A1 12/2012  
WO 2012178205 A2 12/2012  
WO 2013074705 A2 5/2013  
WO 2013148714 A2 10/2013  
WO 2015031407 A1 3/2015  
WO 2016003938 1/2016  
WO 2018112476 A1 6/2018  
WO 2018129549 A1 7/2018  
WO 2018132772 A1 7/2018

OTHER PUBLICATIONS

YouTube, "How to connect mobile devices to Gen-Eye Wi-Fi—  
Version 2.0," <<https://www.youtube.com/watch?v=YKncdIIQLA8>>  
published Sep. 12, 2016.

\* cited by examiner

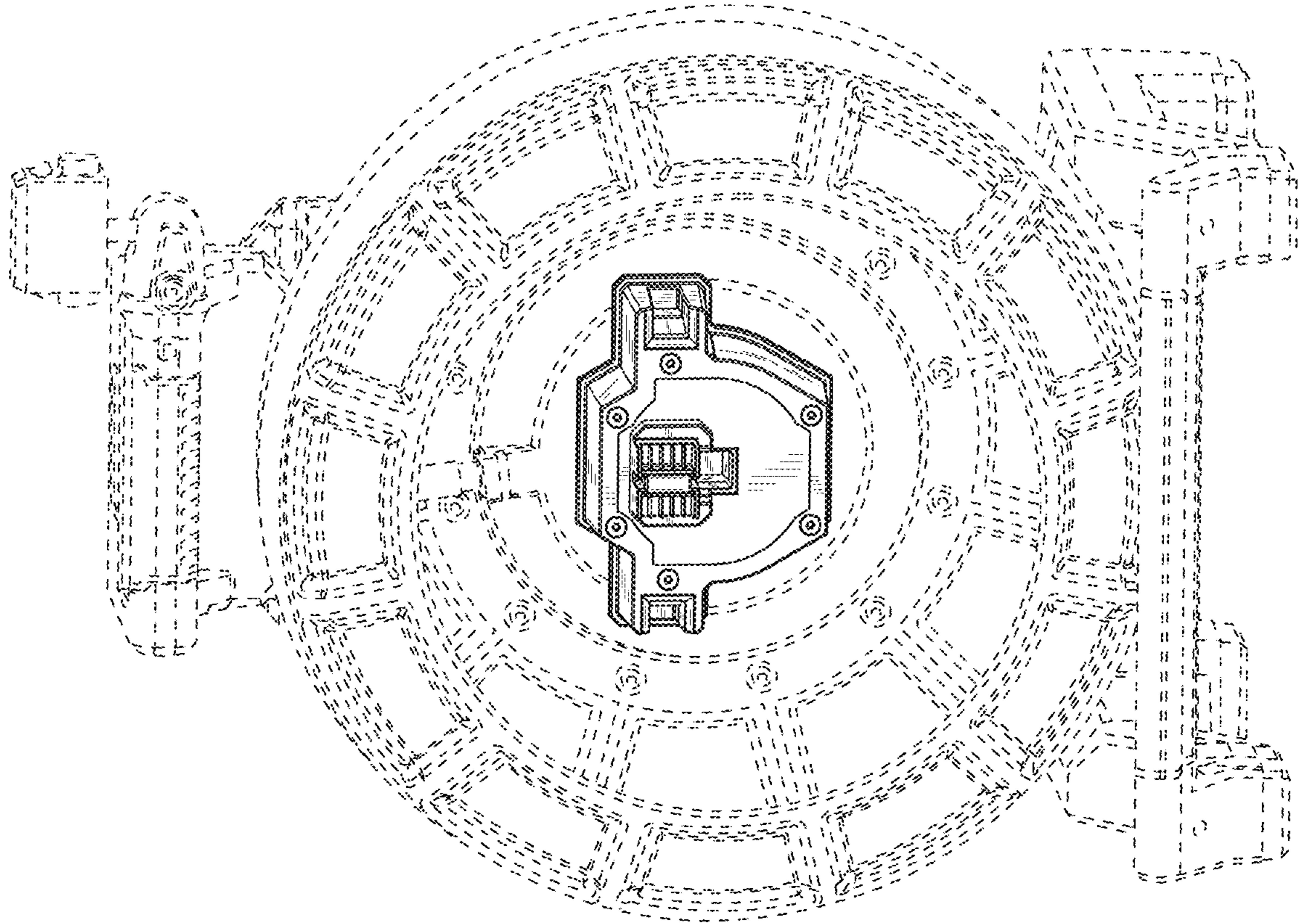


FIG. 1

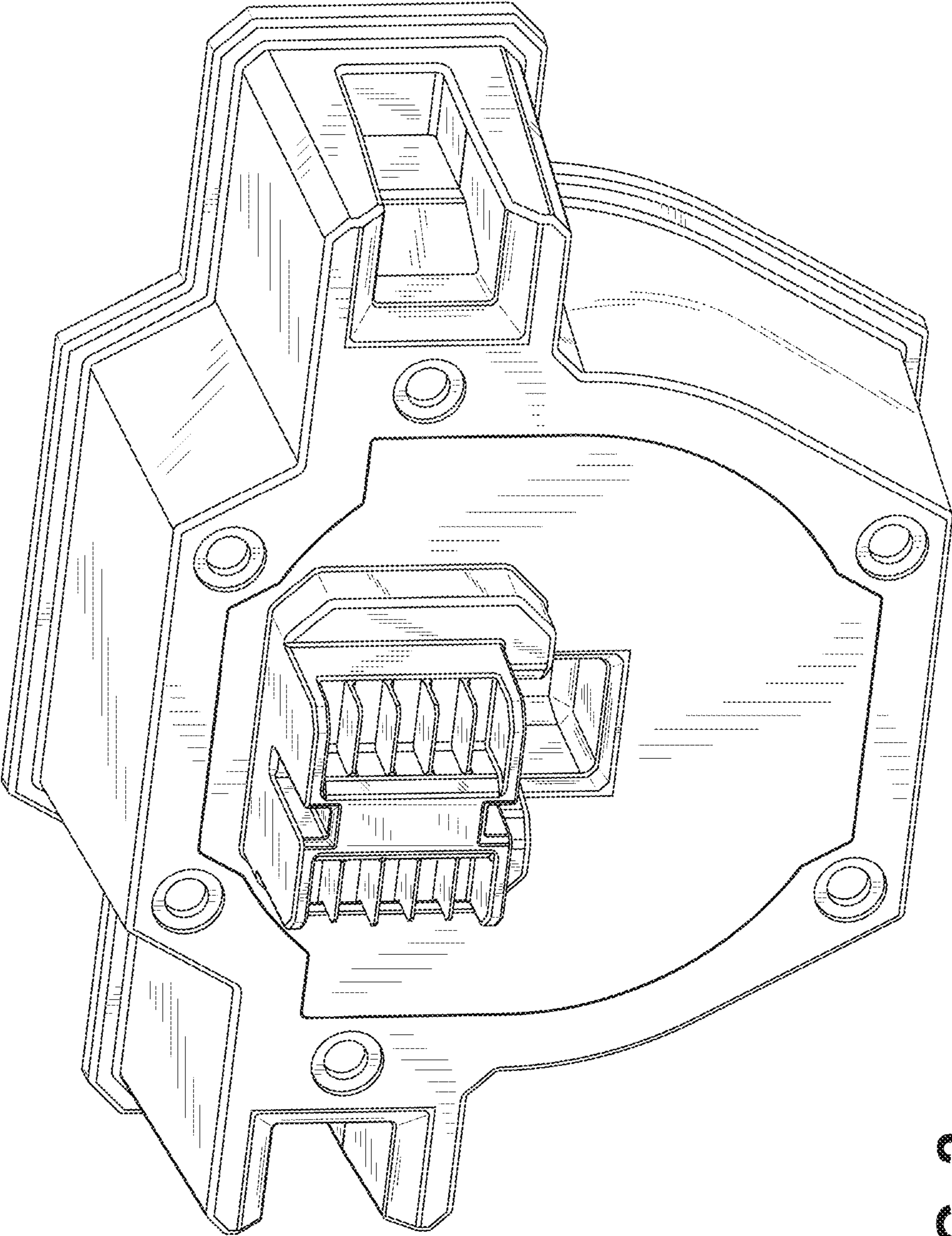


FIG. 2

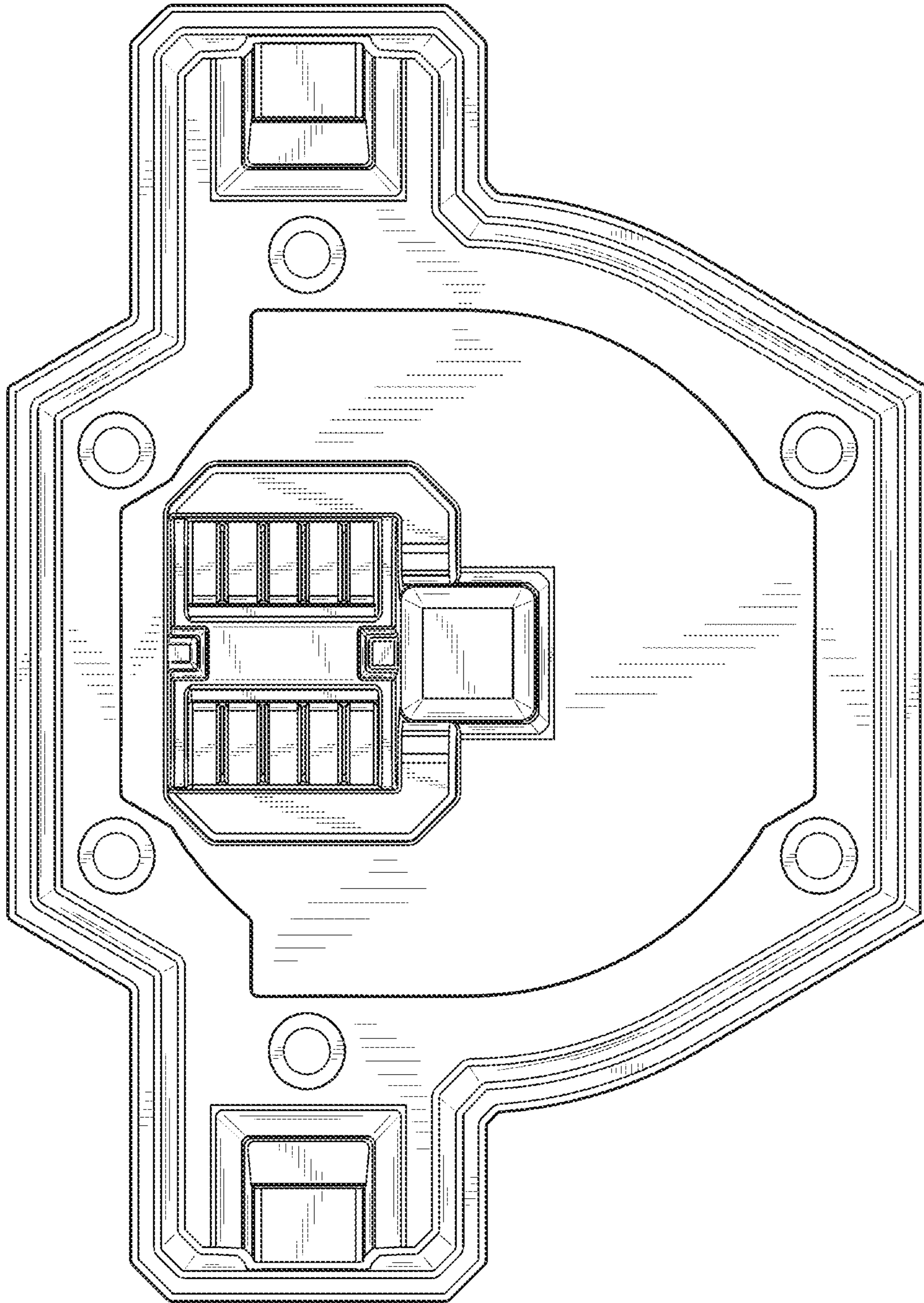


FIG. 3

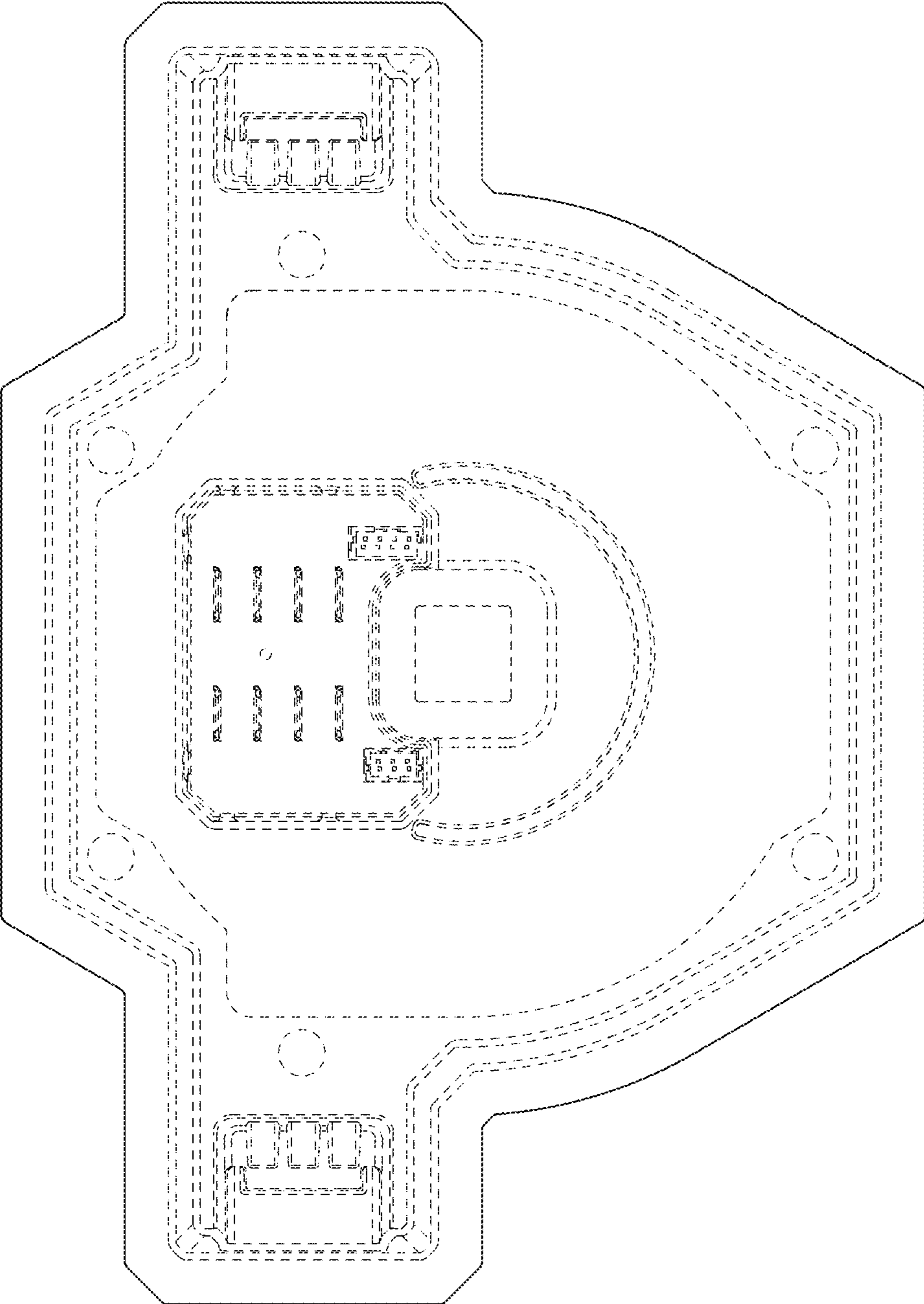


FIG. 4

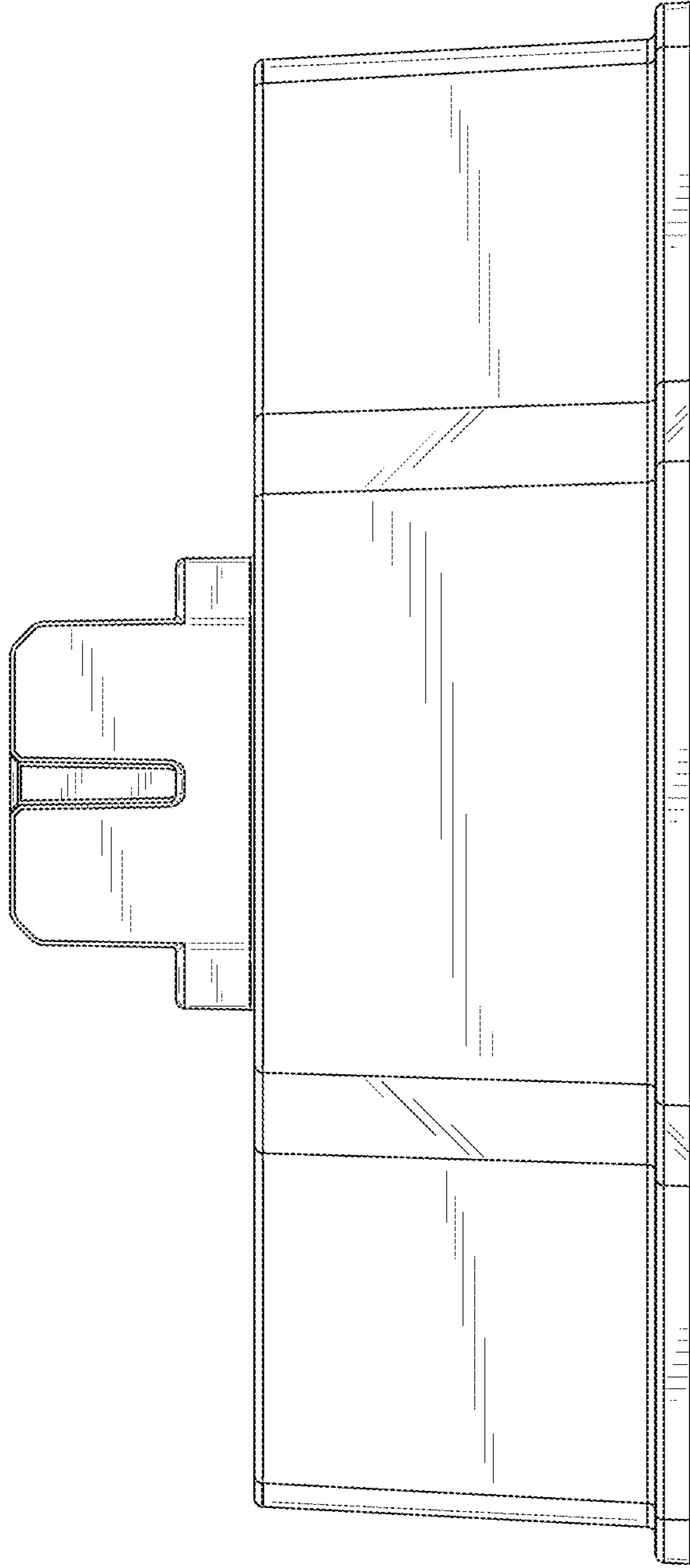


FIG. 5



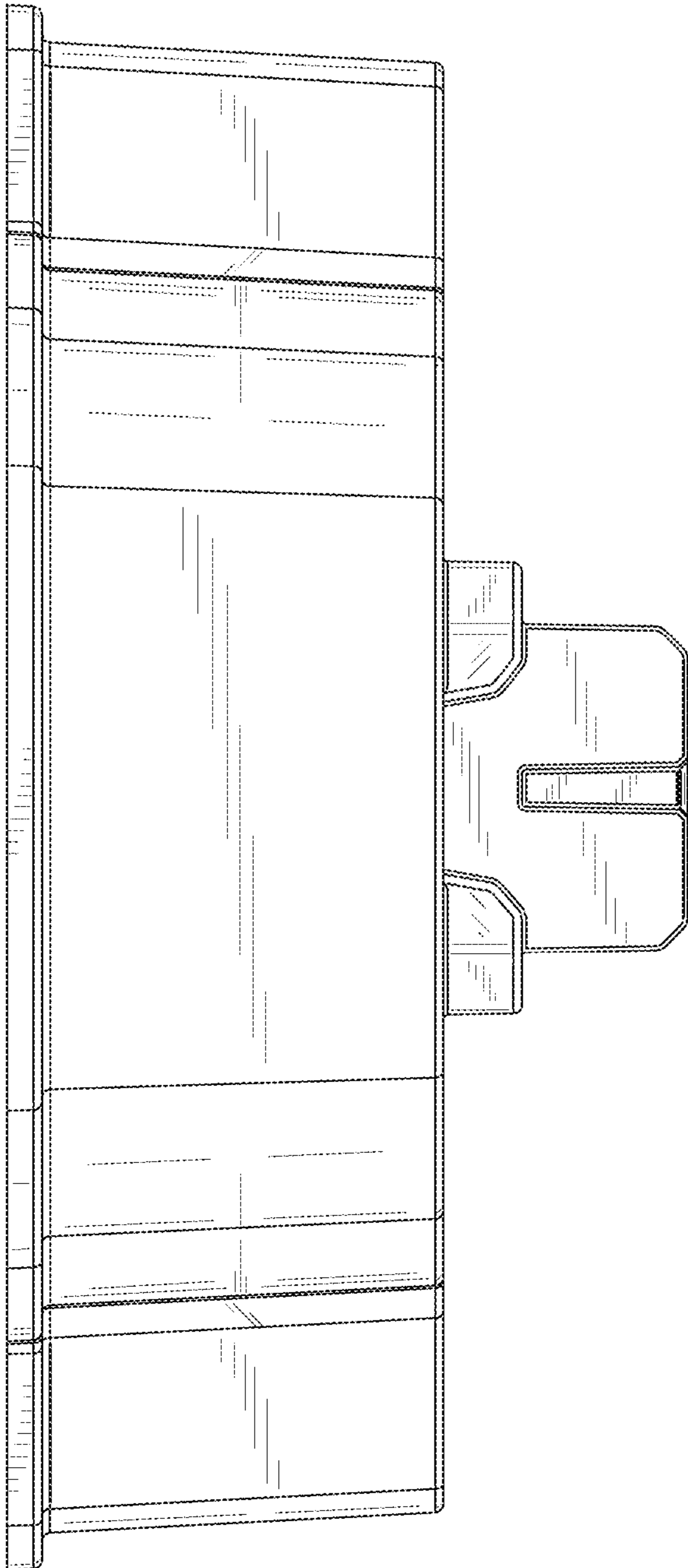


FIG. 6

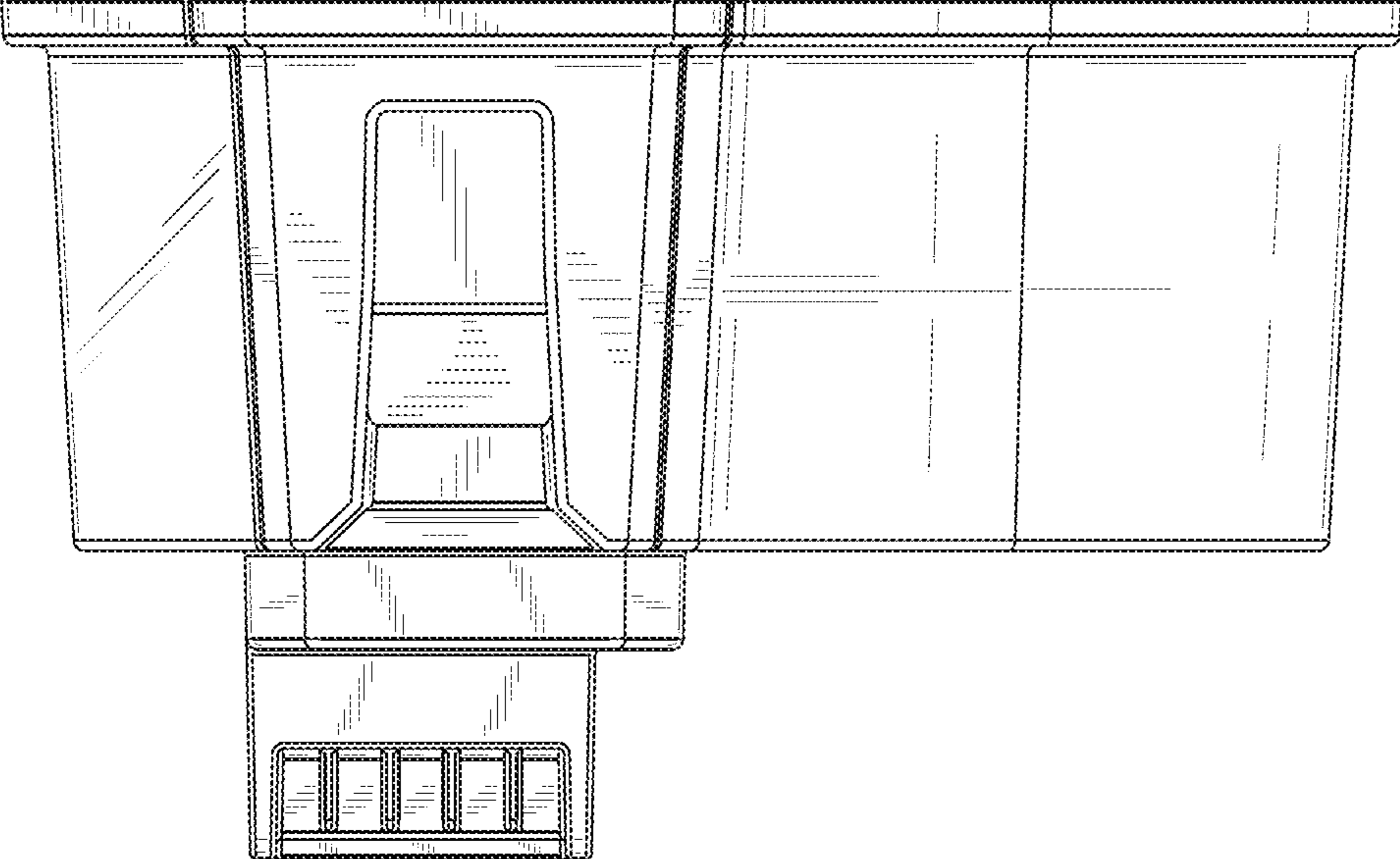


FIG. 7

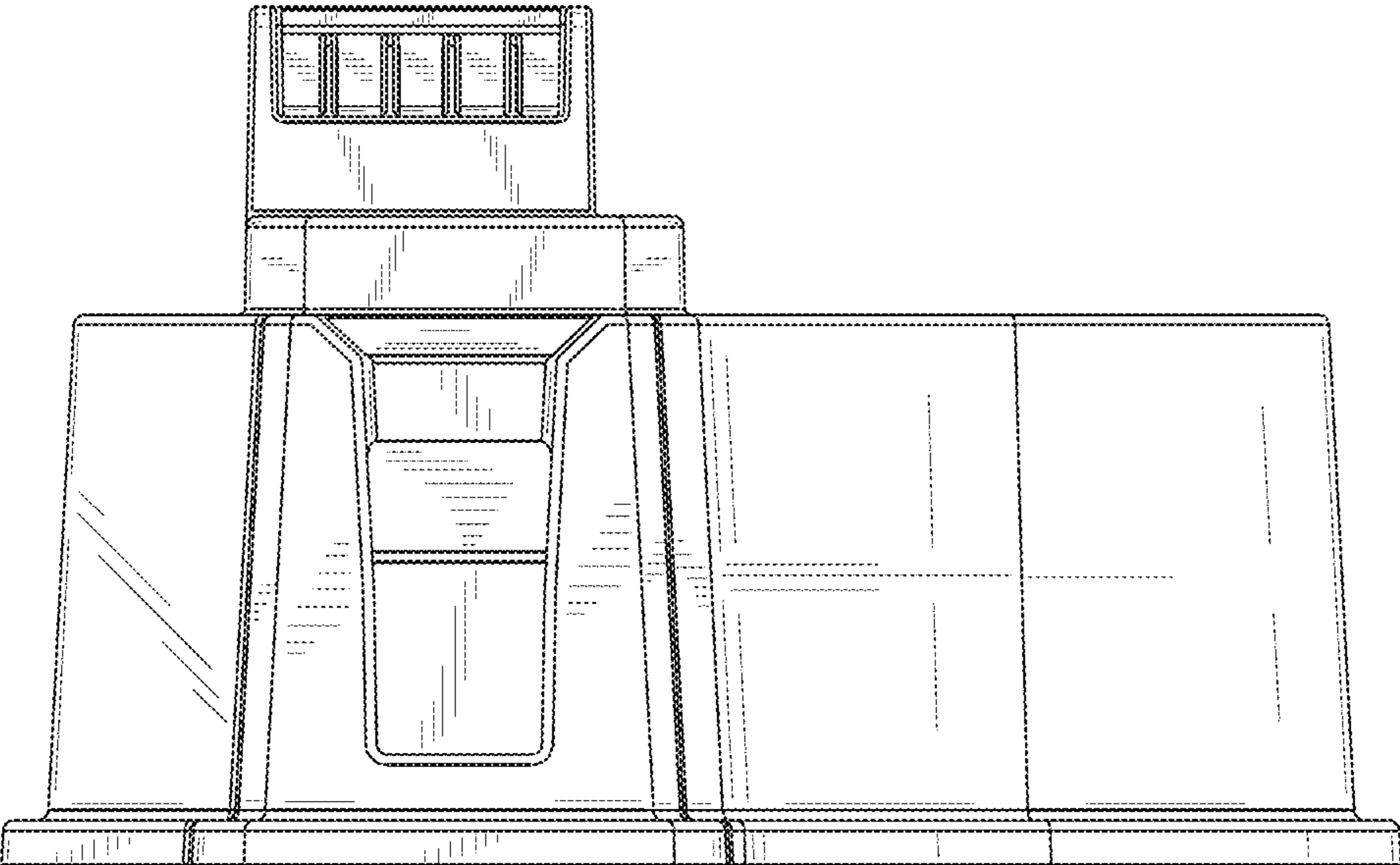


FIG. 8