



US00D988112S

(12) **United States Design Patent**
Xia

(10) **Patent No.:** **US D988,112 S**
(45) **Date of Patent:** **** Jun. 6, 2023**

(54) **CABLE CLIP**

(71) Applicant: **Runying Xia, Jiangxi (CN)**

(72) Inventor: **Runying Xia, Jiangxi (CN)**

(**) Term: **15 Years**

(21) Appl. No.: **29/884,244**

(22) Filed: **Feb. 9, 2023**

(30) **Foreign Application Priority Data**

Jan. 11, 2023 (EM) 015008381-0001

(51) **LOC (14) Cl.** **13-02**

(52) **U.S. Cl.**

USPC **D13/120; D8/72; D8/356; D8/395**

(58) **Field of Classification Search**

USPC **D8/72, 395, 394, 356; D32/64; 439/504; D13/154, 120**

CPC **D06F 55/00; H01R 13/53; H01R 11/00**

See application file for complete search history.

(56) **References Cited**

U.S. PATENT DOCUMENTS

- 2,229,009 A * 1/1941 Berry G01R 31/385
324/435
- 2,782,482 A * 2/1957 Baril D06F 55/00
D8/395
- 3,096,551 A * 7/1963 Shoberg H02G 11/00
24/339
- 3,456,262 A * 7/1969 Coon D06F 55/00
24/511
- 4,020,530 A * 5/1977 Sartore A44B 99/00
24/511
- D281,314 S * 11/1985 Bates D13/169
- D304,928 S * 12/1989 Mize D13/120
- 4,897,044 A * 1/1990 Rood H01R 11/24
320/105
- 4,943,039 A * 7/1990 Jackson B25B 5/006
269/45

- D322,390 S * 12/1991 Nimtz D8/395
- D329,636 S * 9/1992 Nesiba D13/149
- D351,372 S * 10/1994 Donovan, Jr. D13/120
- D372,178 S * 7/1996 Gossett D8/395
- 5,601,452 A * 2/1997 Ruffa H01R 11/24
439/504
- D399,729 S * 10/1998 Chen D8/395
- 5,833,493 A * 11/1998 Hung H01R 11/00
439/504
- D408,785 S * 4/1999 Davis D13/120
- 6,386,907 B1 * 5/2002 Ruffa H01R 13/53
439/504
- D484,400 S 12/2003 Blake et al.

(Continued)

Primary Examiner — Cynthia R Underwood

(74) *Attorney, Agent, or Firm* — Kunzler Bean & Adamson, PC; Michael Bartholomew

(57) **CLAIM**

The ornamental design for a cable clip, as shown and described.

DESCRIPTION

FIG. 1 is a front, right and top perspective view of a cable clip, showing my design.

FIG. 2 is a rear, left and bottom perspective view thereof.

FIG. 3 is a front elevation view thereof.

FIG. 4 is a rear elevation view thereof.

FIG. 5 is a left side elevation view thereof.

FIG. 6 is a right side elevation view thereof.

FIG. 7 is a top plan view thereof.

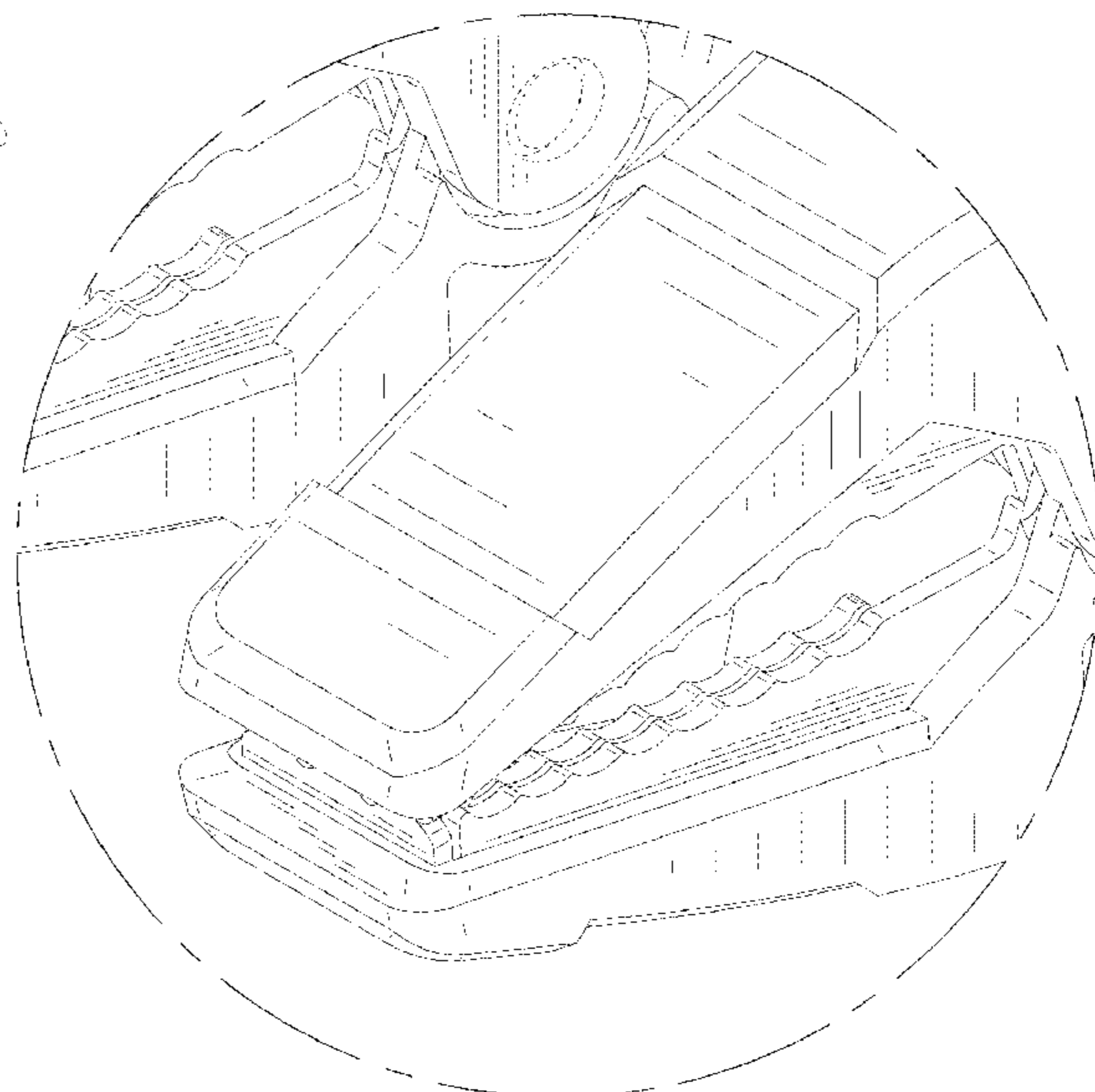
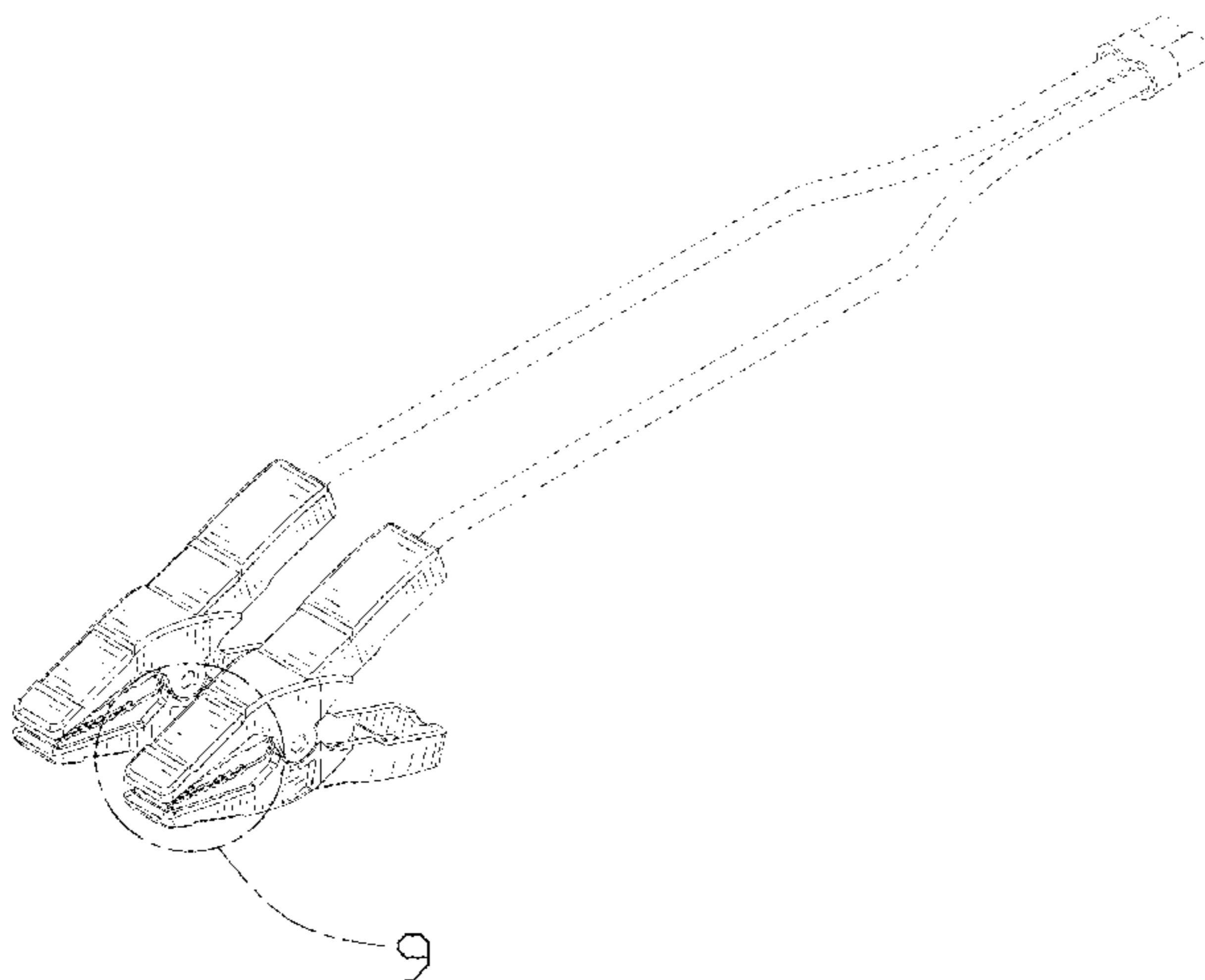
FIG. 8 is a bottom plan view thereof; and,

FIG. 9 is an enlarged view of detail 9 in FIG. 1.

The broken lines depict portions of the cable clip that form no part of the claimed design.

The dot-dash broken lines in FIGS. 1 and 9 depict the boundaries of the enlargements that form no part of the claimed design.

1 Claim, 9 Drawing Sheets



(56)

References Cited

U.S. PATENT DOCUMENTS

6,896,544 B1 * 5/2005 Kuelbs H01R 13/717
439/504

D586,755 S 2/2009 Ledbetter et al.

D594,726 S * 6/2009 Arredondo D8/72

D597,029 S * 7/2009 Li D13/120

7,766,313 B2 * 8/2010 Panosian B25B 5/06
269/95

D625,265 S * 10/2010 DuMelle D13/120

D649,116 S * 11/2011 Nakatsuka D13/120

8,465,594 B1 * 6/2013 Harder H01R 11/24
15/160

D689,020 S * 9/2013 Demirjian D13/120

D697,779 S * 1/2014 Iwasaki D8/72

D725,462 S * 3/2015 Zilisch D8/398

D746,774 S * 1/2016 Nook D13/120

D821,086 S * 6/2018 Iwasaki D3/26

D839,085 S * 1/2019 Green D8/394

D881,813 S * 4/2020 Nook D13/120

D889,411 S * 7/2020 Wang D13/120

D911,286 S * 2/2021 Esses D13/120

D913,936 S * 3/2021 Nook D13/120

D926,689 S * 8/2021 Gu D13/120

D946,372 S * 3/2022 Gilley D8/72

D968,208 S * 11/2022 Guo D8/395

D975,529 S * 1/2023 Wan D8/394

* cited by examiner

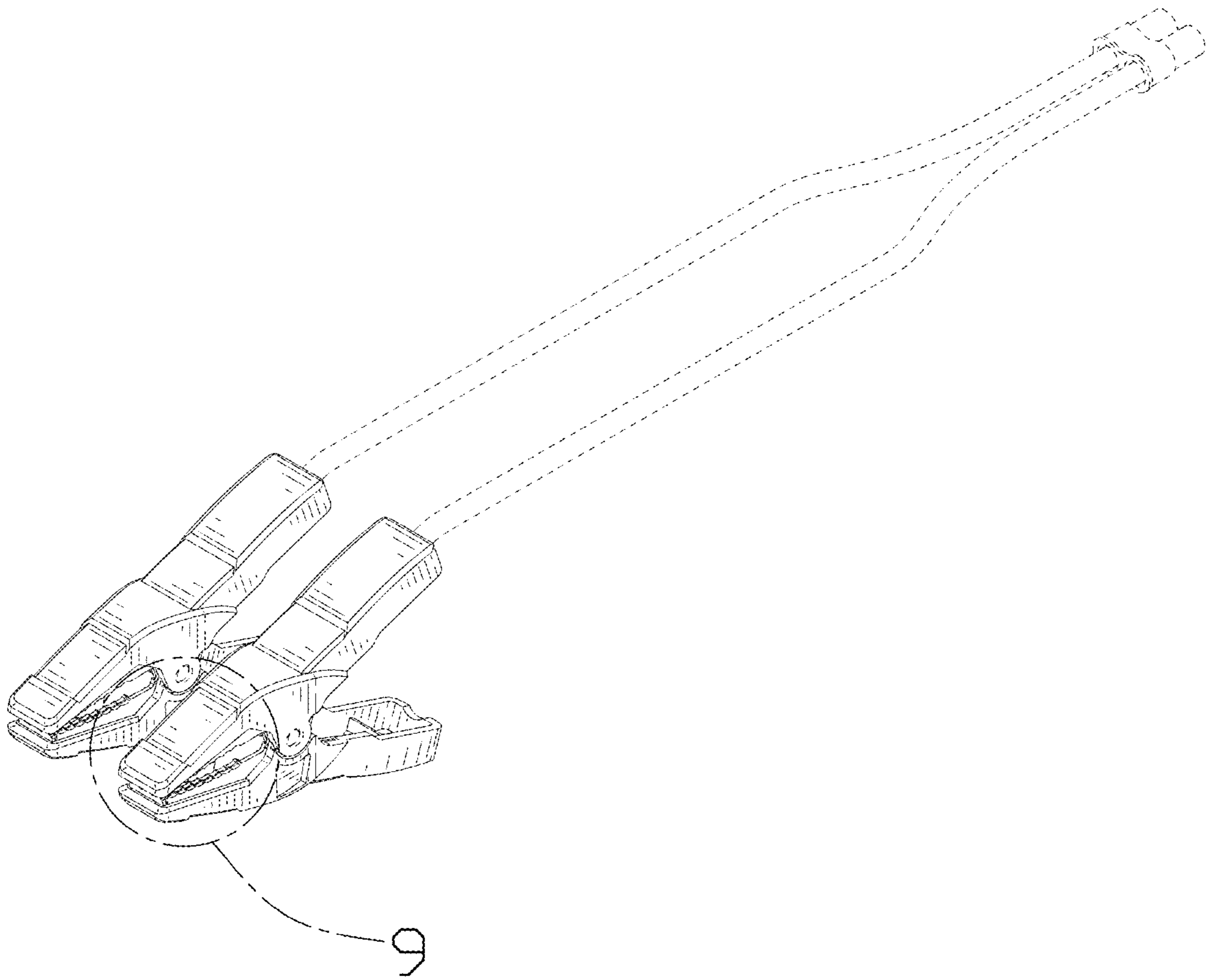


FIG. 1

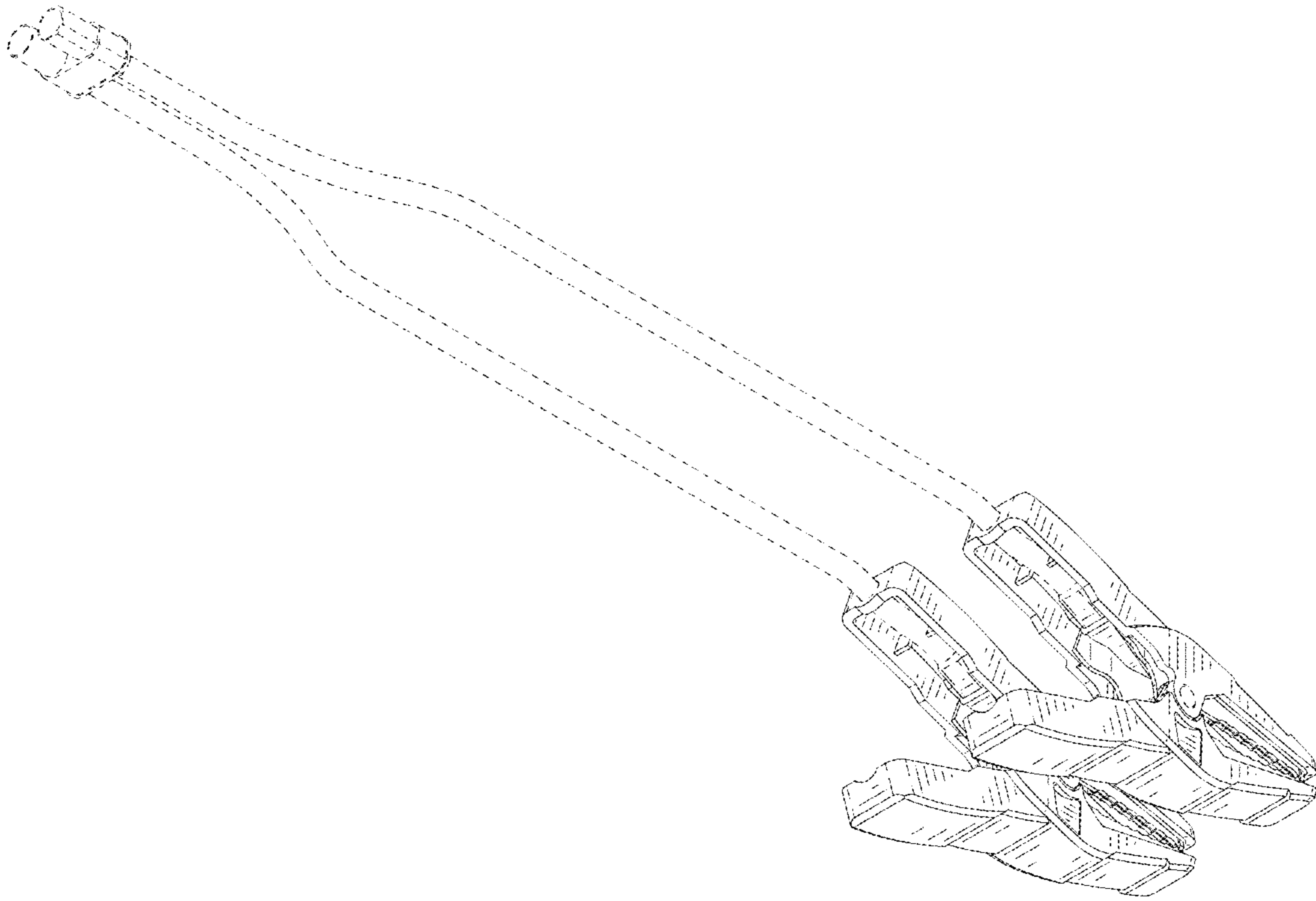


FIG. 2

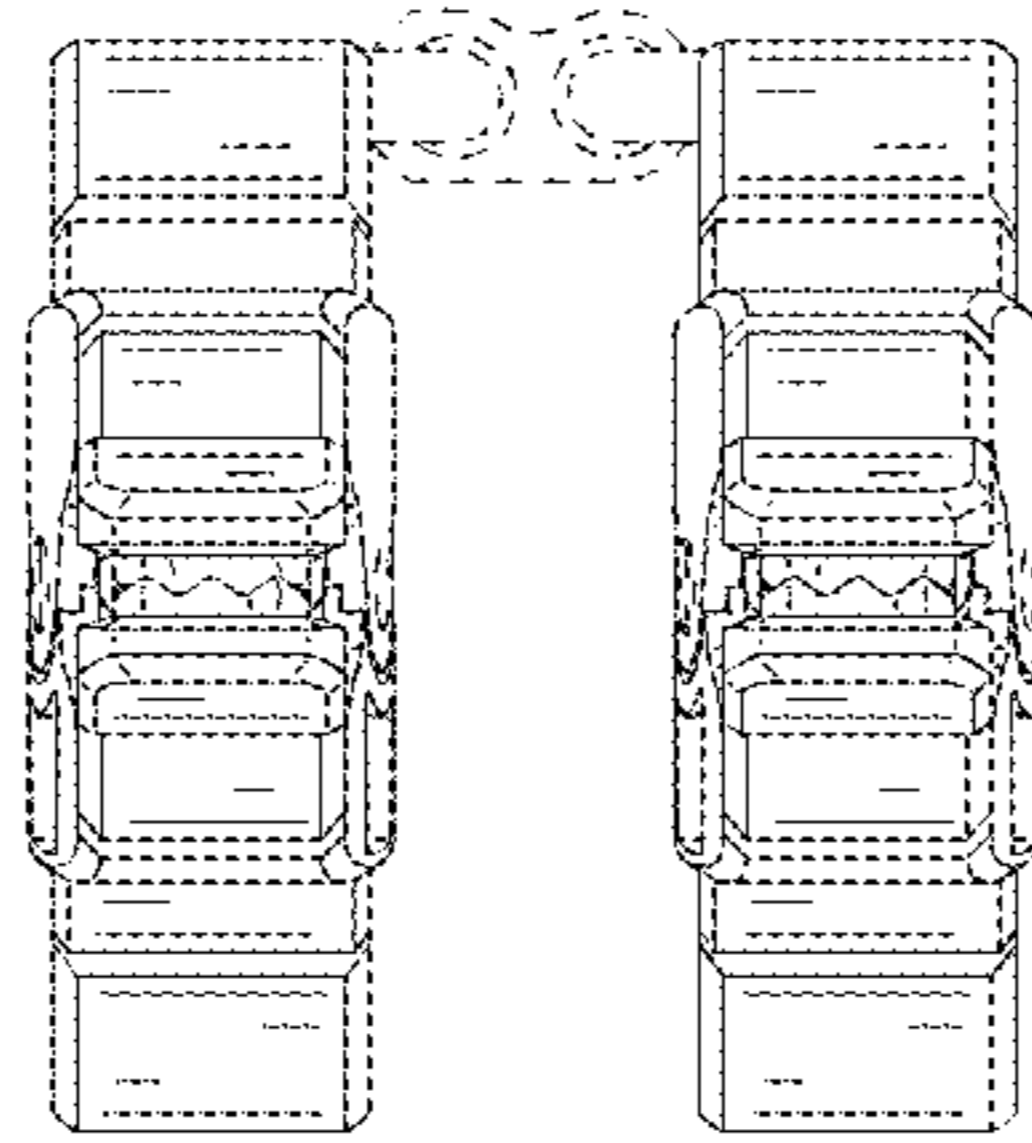


FIG. 3

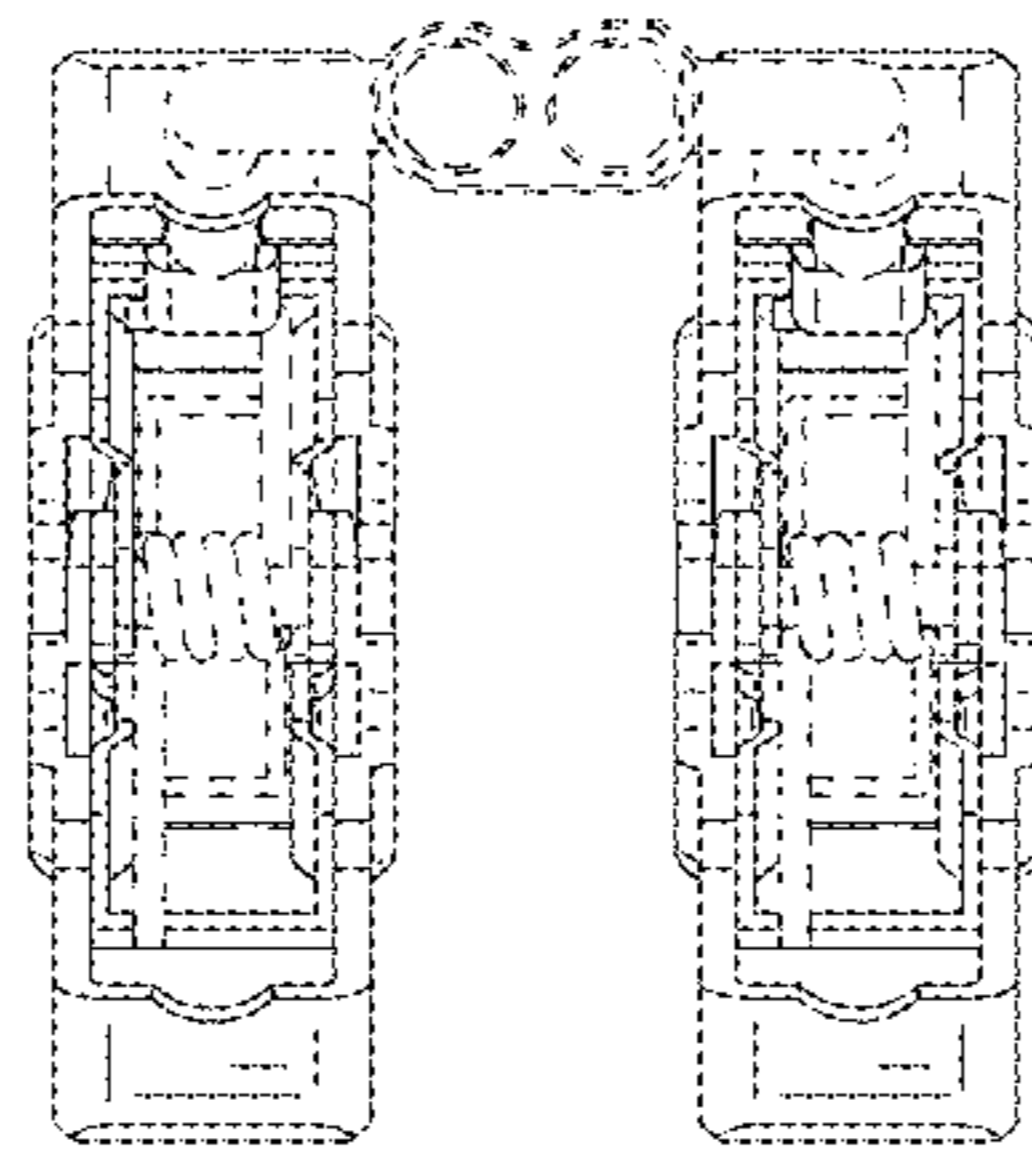


FIG. 4

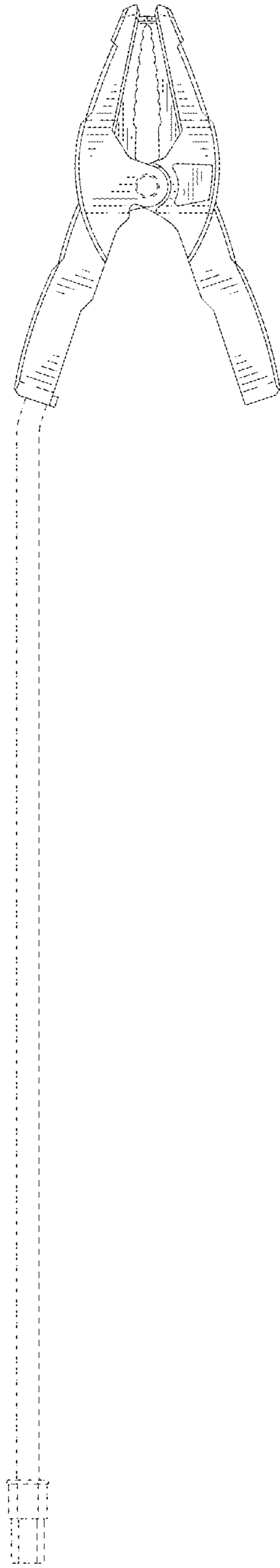


FIG. 5

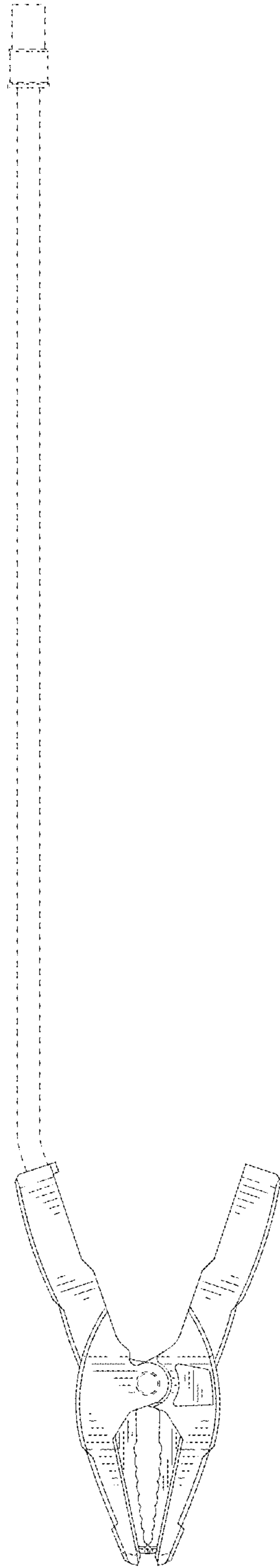


FIG. 6

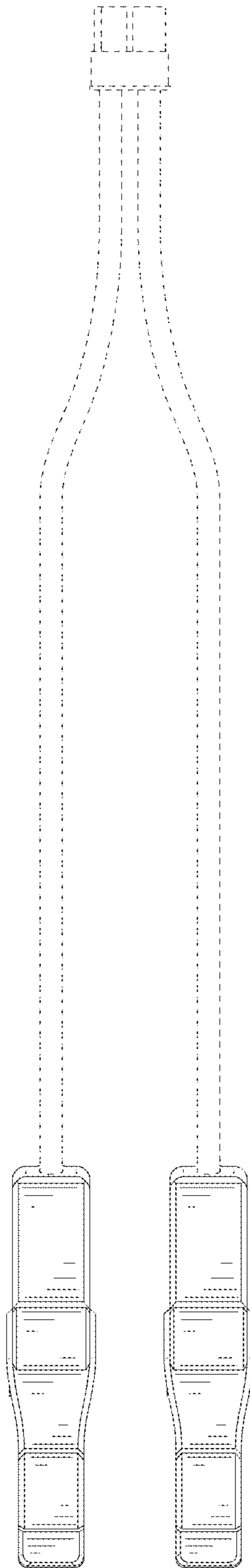


FIG. 7

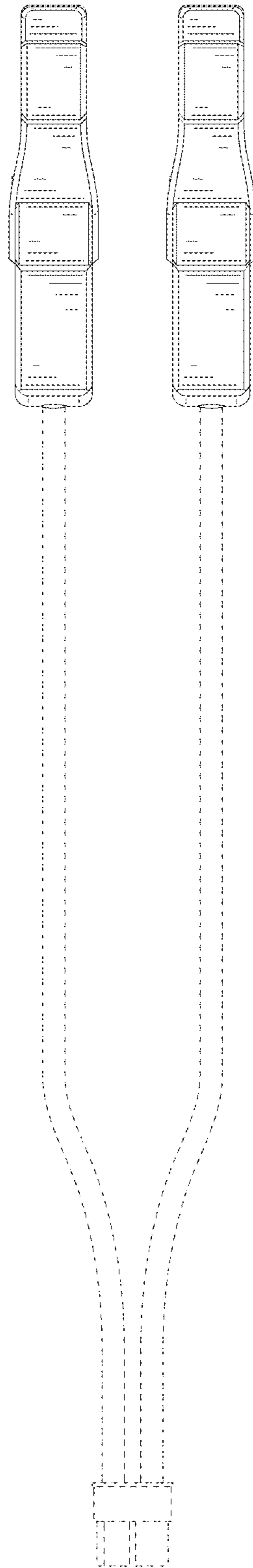


FIG. 8

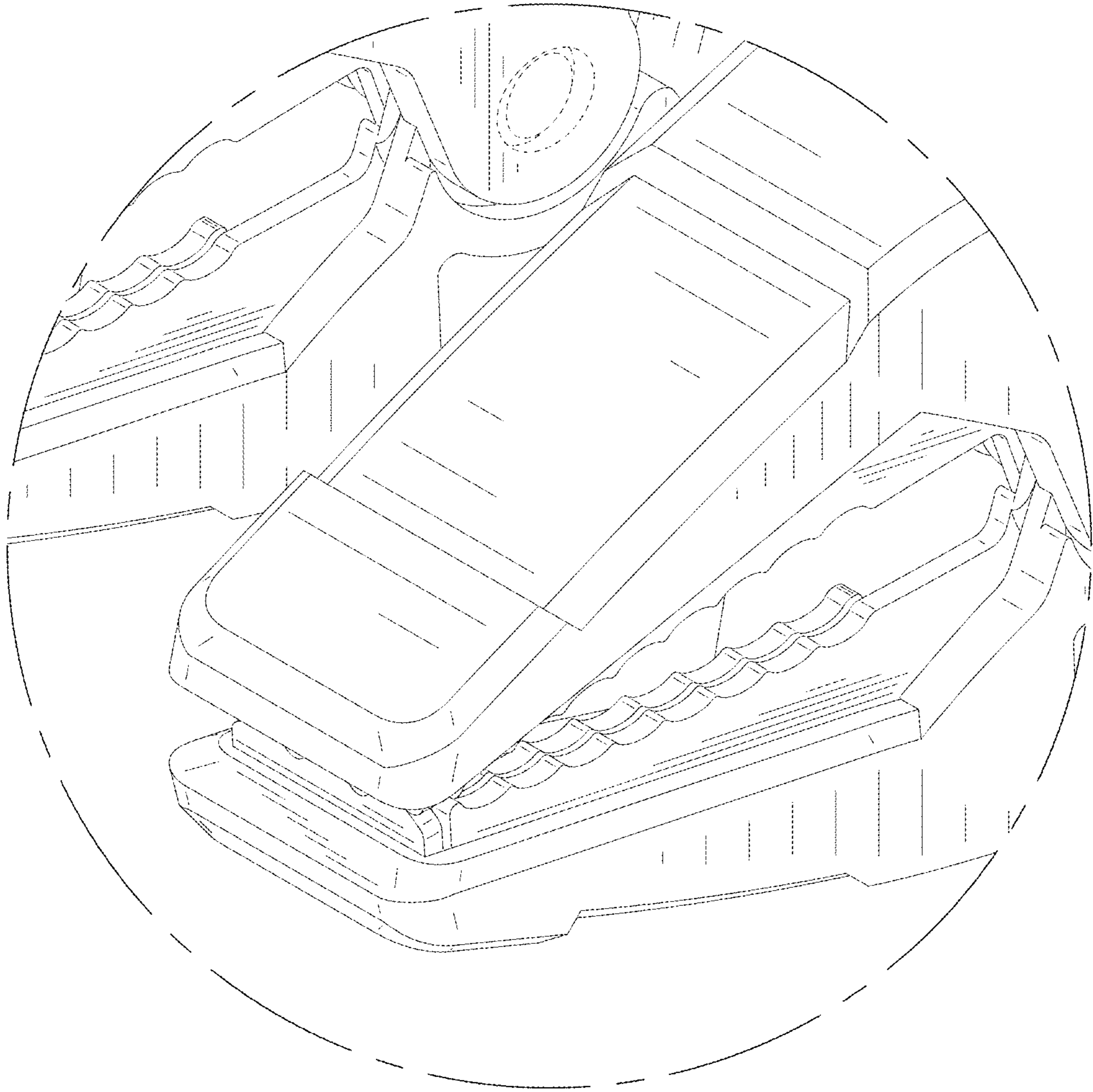


FIG. 9