



US00D988110S

(12) **United States Design Patent**
Kos

(10) **Patent No.:** **US D988,110 S**
(45) **Date of Patent:** **** Jun. 6, 2023**

- (54) **SUPPORT BRACKET FOR A HEAT GUN ASSEMBLY**
- (71) Applicant: **HALOBLAZE LIMITED**, Harrogate (GB)
- (72) Inventor: **Jay Layton Kos**, Harrogate (GB)
- (73) Assignee: **Haloblaze Limited**, Harrogate (GB)
- (**) Term: **15 Years**
- (21) Appl. No.: **29/652,678**
- (22) Filed: **Oct. 23, 2020**
- (51) **LOC (14) Cl.** **08-05**
- (52) **U.S. Cl.**
USPC **D8/354**
- (58) **Field of Classification Search**
USPC ... D8/354-356, 349, 46, 346, 363-364, 366, D8/400-402, 404, 499
CPC ... E04C 5/18; E04C 5/20; E04C 5/168; E04C 2/384; E04C 5/03; E04C 5/201; E04C 5/203; E04C 2/044; E04C 2/288; E04C 2002/047; E04C 2003/026; E04C 5/02; E04C 5/16; E04C 5/163; B62D 17/00; B60R 11/02; B60R 2011/0005; B60R 2011/0071; B60R 11/00; B60R 11/04; B60R 2011/004; B60R 9/04; B60R 9/045; B60R 9/06
See application file for complete search history.

D752,417	S	*	3/2016	Witting	D8/354
D825,317	S	*	8/2018	Klein	D8/354
D826,031	S	*	8/2018	Klein	D8/354
10,094,590	B2		10/2018	Chen		
D841,433	S	*	2/2019	Lardon	D15/141
D856,769	S		8/2019	Boivin		
D857,483	S	*	8/2019	Bevier	D8/402
D876,930	S	*	3/2020	Stener	D8/354
D880,278	S	*	4/2020	Jaramillo	D8/354
D884,778	S	*	5/2020	Birkemeier	D8/382
D887,297	S	*	6/2020	Machijima	D10/103
D891,230	S	*	7/2020	Fox	D8/354
D891,232	S	*	7/2020	Zhang	D8/354
D906,788	S	*	1/2021	Ochi	D8/354
D907,987	S	*	1/2021	Buse	D8/354
D909,853	S	*	2/2021	Jasmin	D8/354
D945,857	S	*	3/2022	Smith	D8/354
2014/0219643	A1		8/2014	Ma et al.		

* cited by examiner

Primary Examiner — Karen S Acker
Assistant Examiner — Elizabeth S Ko

(74) *Attorney, Agent, or Firm* — McKee, Voorhees & Sease, PLC

(57) **CLAIM**

I claim the ornamental design for the support bracket for a heat gun assembly, substantially as shown and described.

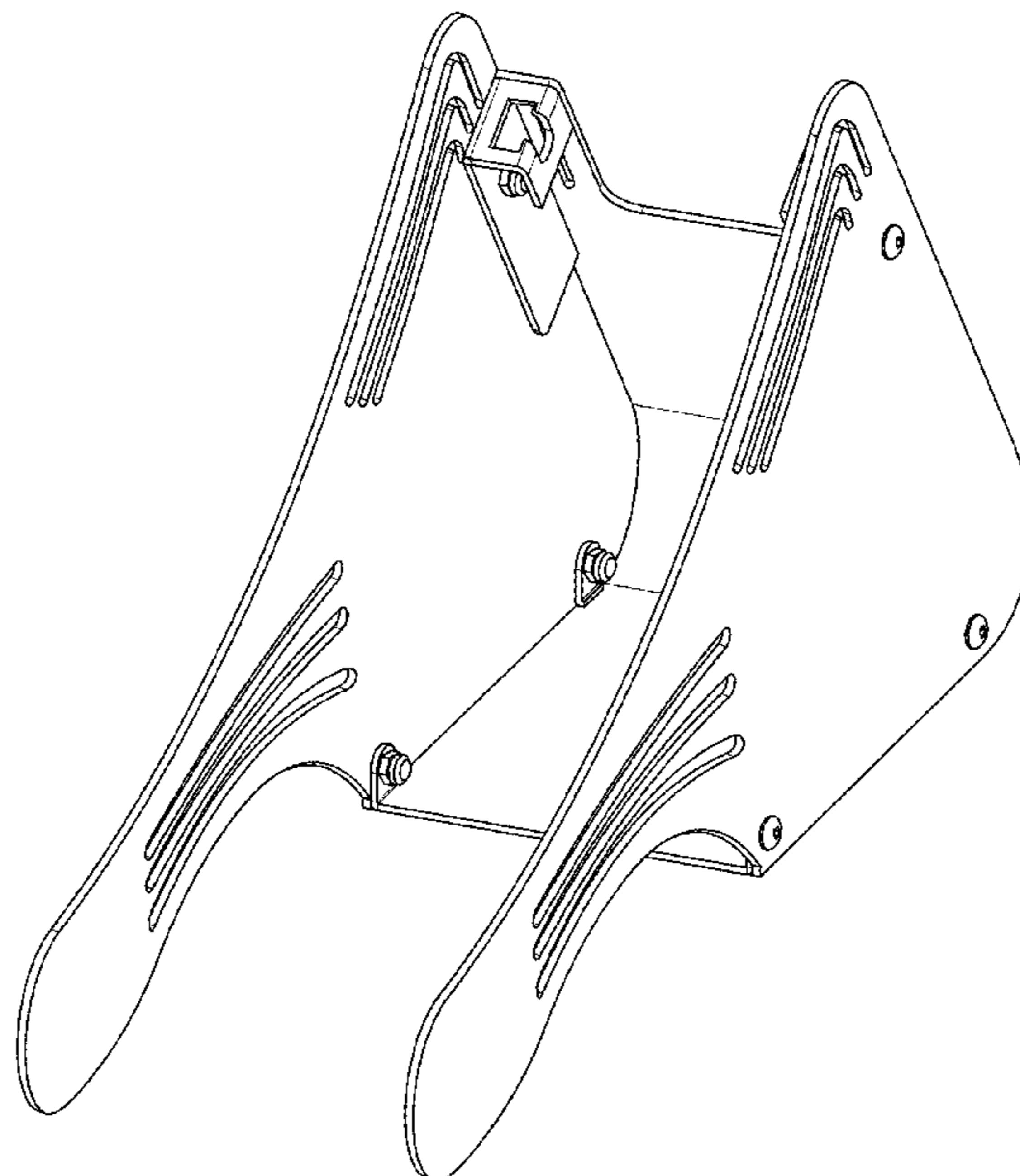
DESCRIPTION

FIG. 1 is a rear perspective view of a support bracket for a heat gun assembly;
FIG. 2 is a left side view thereof; the right side being a mirror image;
FIG. 3 is a top view thereof;
FIG. 4 is a bottom view thereof;
FIG. 5 is a front view thereof; and,
FIG. 6 is a rear view thereof.

1 Claim, 6 Drawing Sheets

(56) **References Cited**
U.S. PATENT DOCUMENTS

D379,910	S	6/1997	Hannen et al.	
D564,317	S	3/2008	Le Drappier	
D744,319	S	* 12/2015	White D8/354
D749,399	S	* 2/2016	Jenkins D8/354



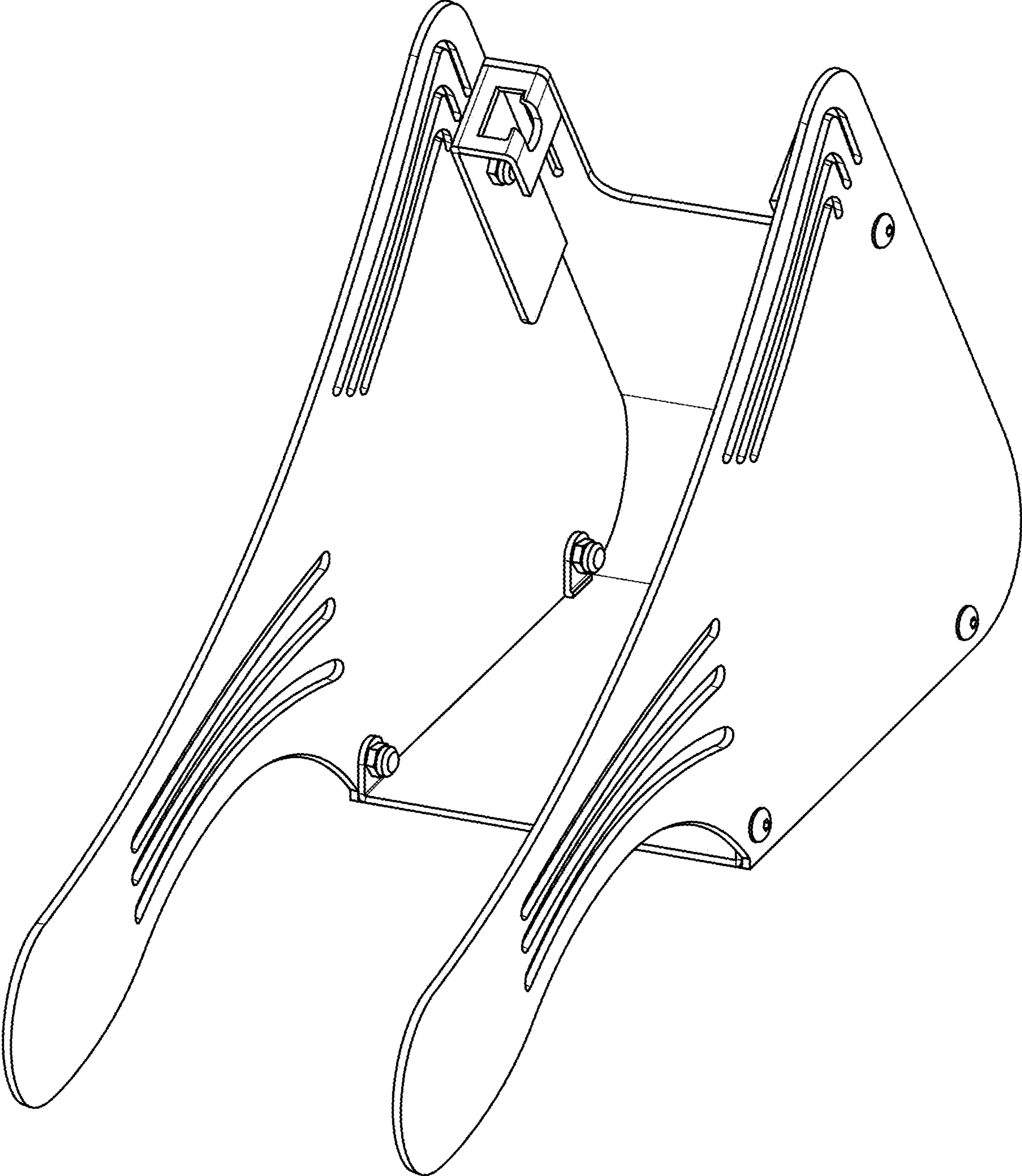


FIG. 1

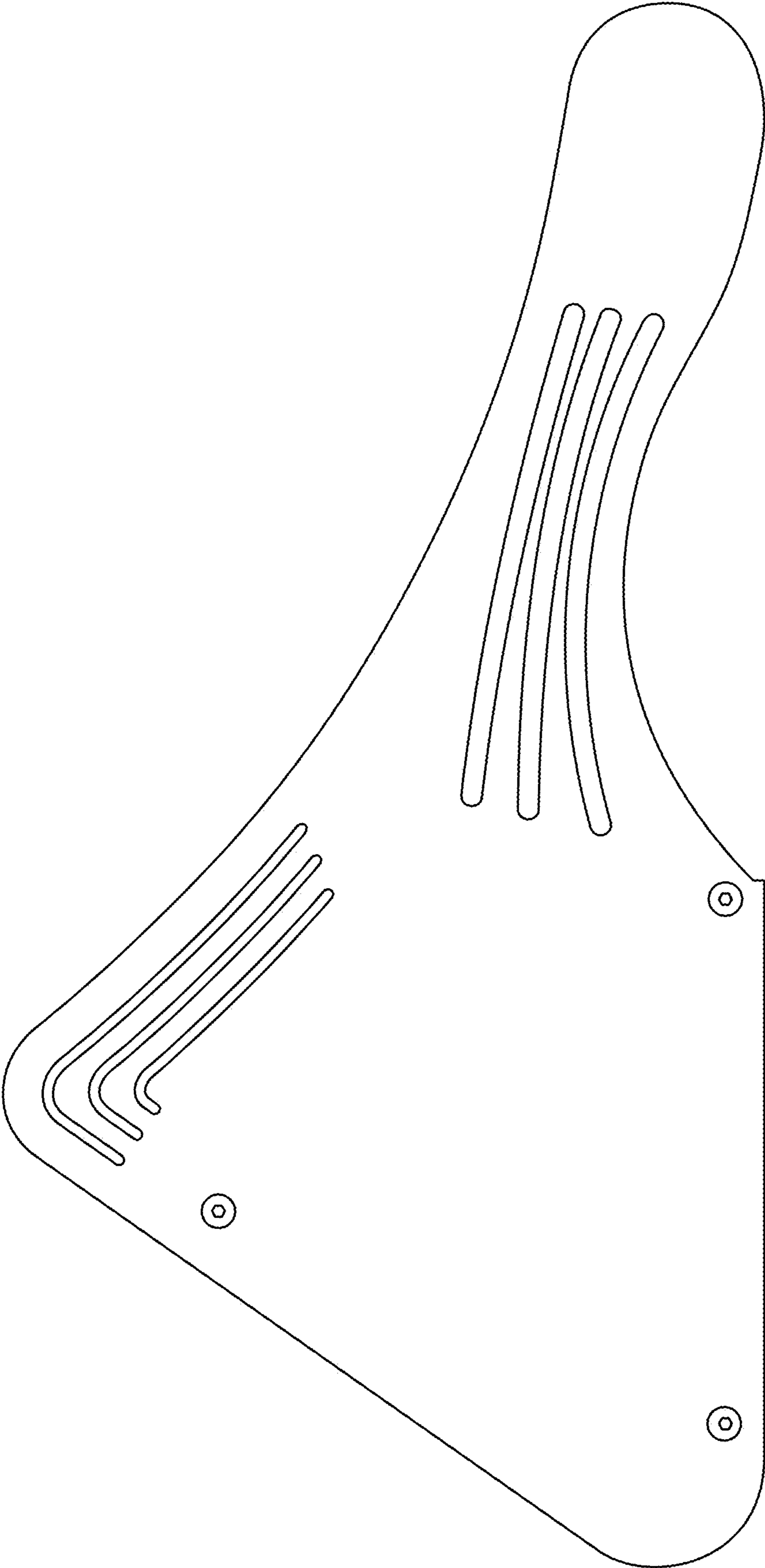


FIG. 2

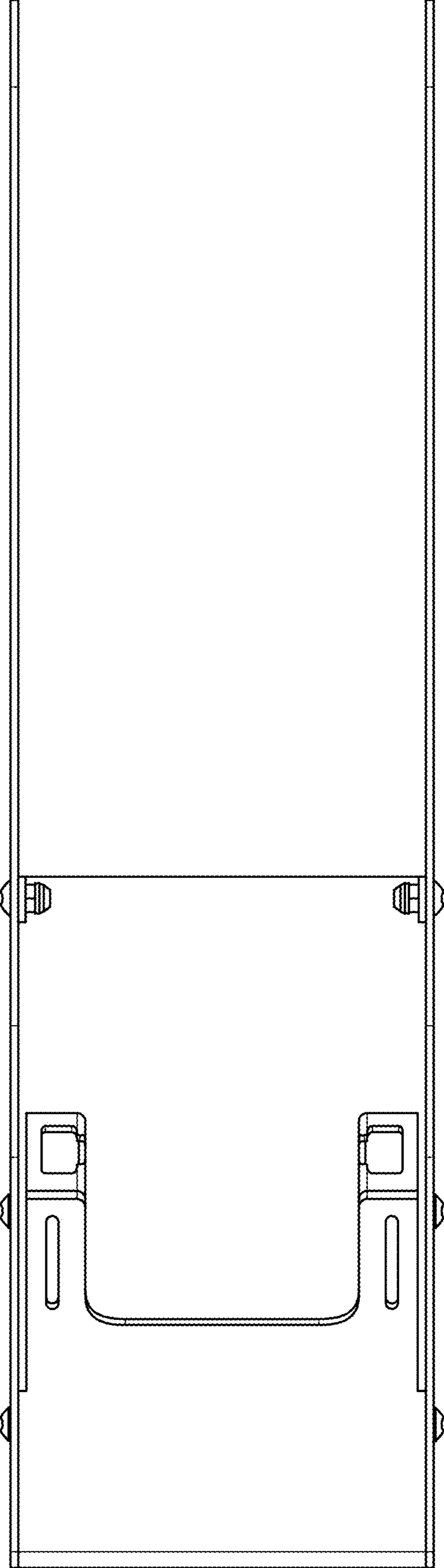


FIG. 3

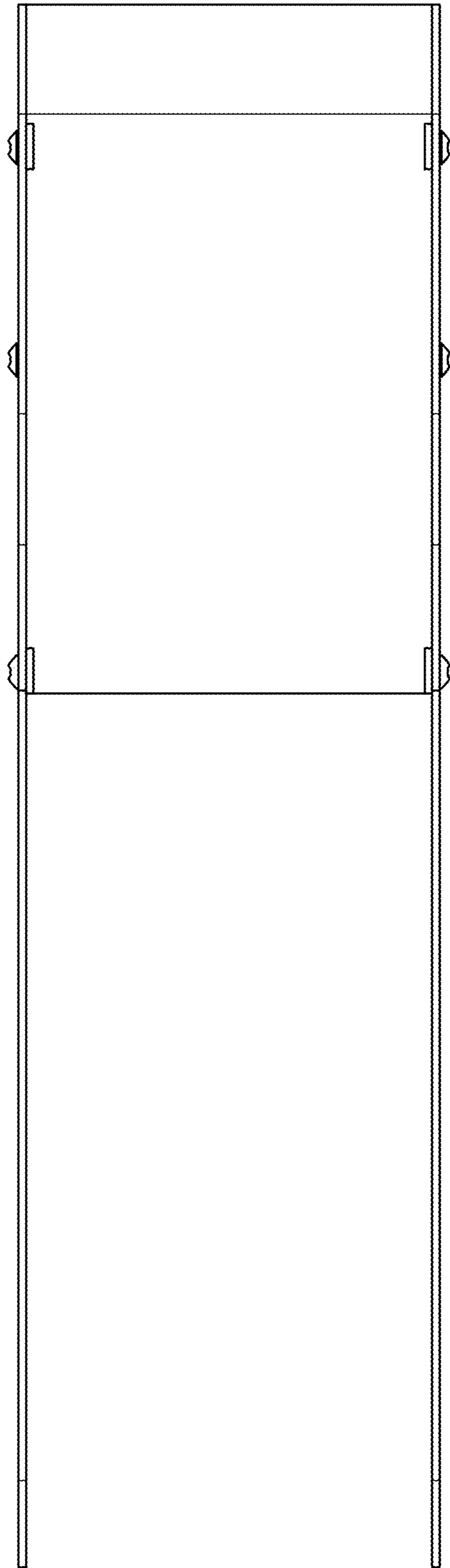


FIG. 4

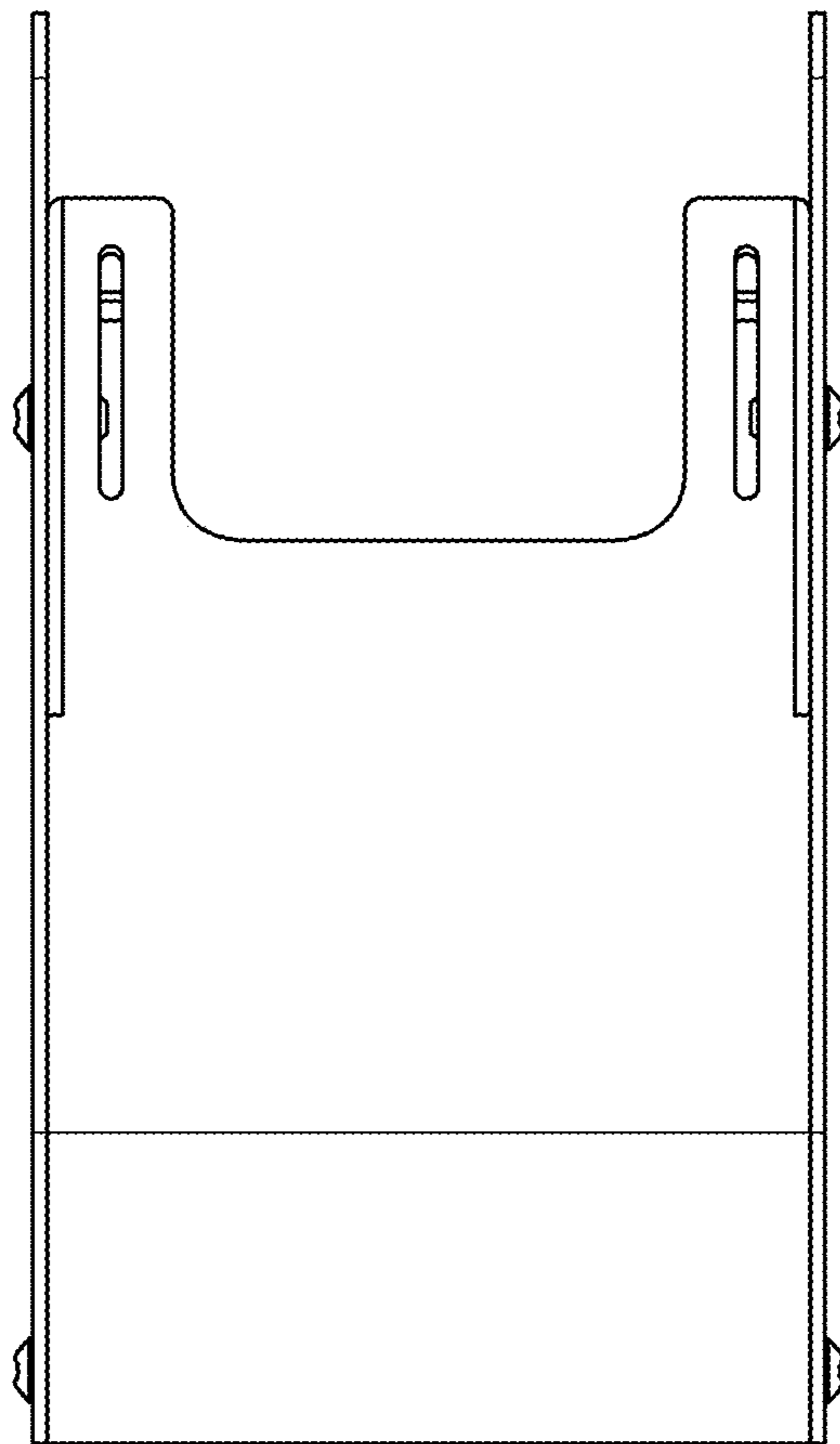


FIG. 5

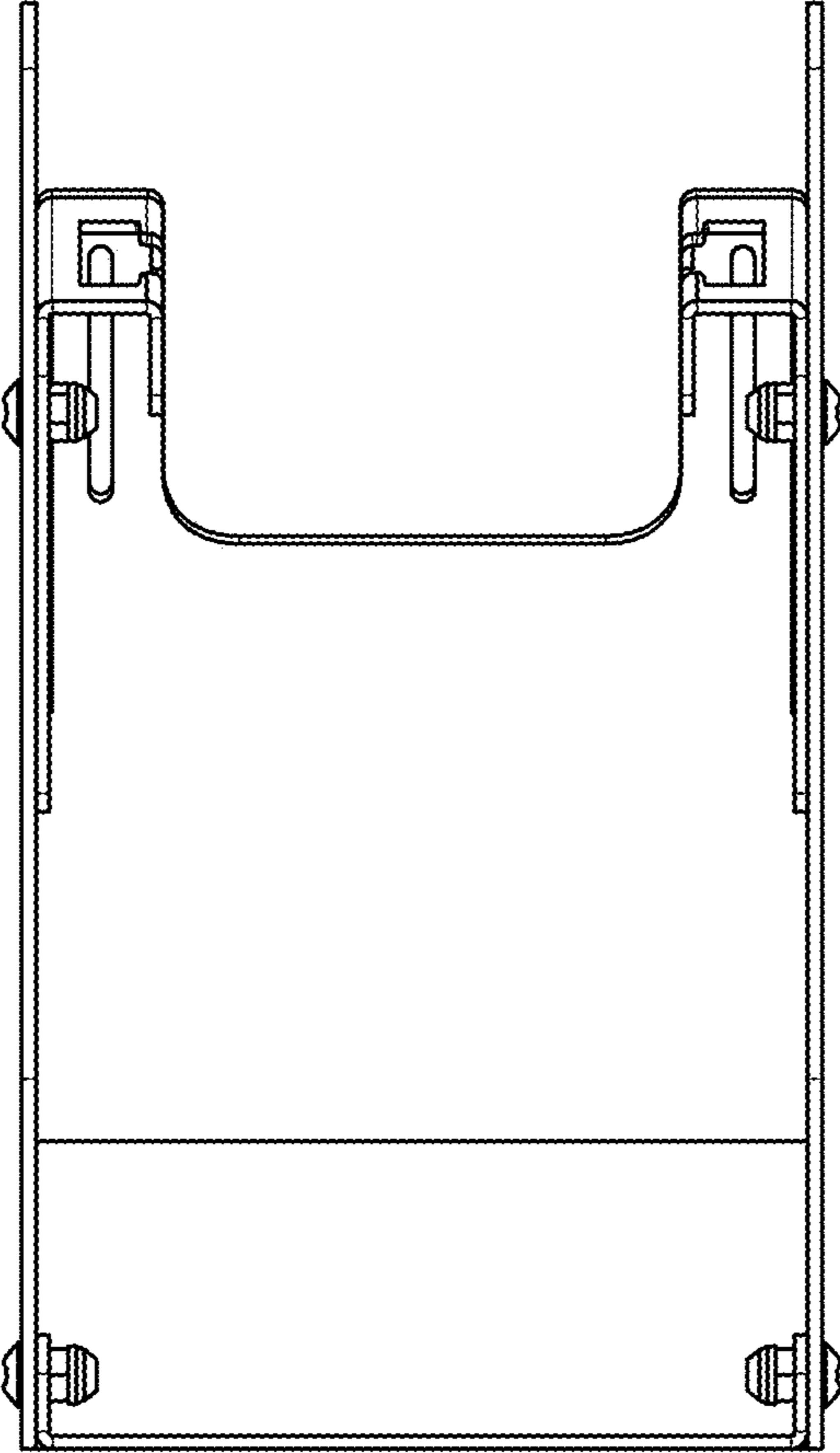


FIG. 6