



US00D988106S

(12) **United States Design Patent** (10) **Patent No.:** **US D988,106 S**
Zonta et al. (45) **Date of Patent:** **** Jun. 6, 2023**

(54) **HANDLE FOR DOORS OF PROTECTION BARRIERS FOR INDUSTRIAL MACHINE**

(71) Applicant: **Pizzato Elettrica S.r.l.**, Marostica (IT)

(72) Inventors: **Simone Zonta**, Bassano del Grappa (IT); **Marco Pizzato**, Marostica (IT)

(73) Assignee: **PIZZATO ELETTRICA S.R.L.**, Marostica (IT)

(**) Term: **15 Years**

(21) Appl. No.: **29/753,588**

(22) Filed: **Oct. 1, 2020**

Related U.S. Application Data

(62) Division of application No. 35/506,535, filed on Jan. 10, 2019 (U.S. filing date under 35 U.S.C. 384), and having an international filing date of Jan. 10, 2019, now Pat. No. Des. 899,887.

(30) **Foreign Application Priority Data**

Oct. 7, 2018 (WO) DM103536

(51) **LOC (14) Cl.** **08-06**

(52) **U.S. Cl.**
USPC **D8/302**

(58) **Field of Classification Search**
USPC D8/319, 69, 302, 300, 307, 315; D34/35
CPC Y10T 292/57; Y10T 16/458; E05B 79/06;
E05B 85/10; Y10S 292/37
See application file for complete search history.

(56) **References Cited**

U.S. PATENT DOCUMENTS

D306,251 S * 2/1990 Kuli D8/302
D374,534 S * 10/1996 Munde D34/35

D424,400 S * 5/2000 Lin D8/302
D604,585 S * 11/2009 Veltz D8/302
D649,003 S * 11/2011 Stuckey D8/302
D744,544 S * 12/2015 Wuisan D15/28
D746,014 S * 12/2015 Rekow D34/35
D867,103 S * 11/2019 Griswold D8/315
D867,851 S * 11/2019 Griswold D8/315
2007/0283527 A1 * 12/2007 Cheng G06F 1/18
16/114.1

* cited by examiner

Primary Examiner — Eliza Z Harvey

(74) *Attorney, Agent, or Firm* — Mark M. Friedman

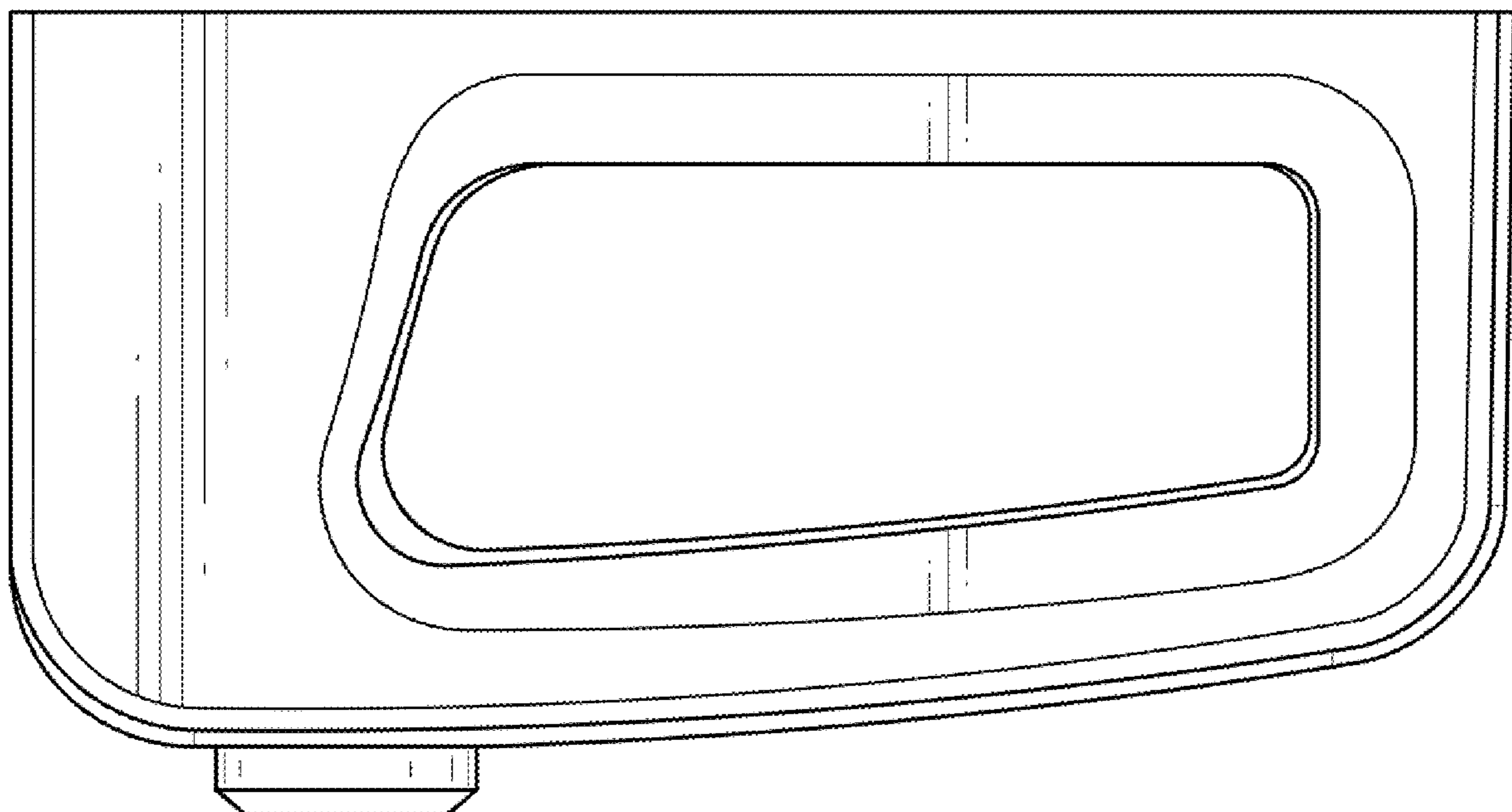
(57) **CLAIM**

The ornamental design for a handle for doors of protection barriers for industrial machine, as shown and described.

DESCRIPTION

FIG. 1 is a top view of a handle for doors of protection barriers for industrial machine showing my design;
FIG. 2 is a front view thereof;
FIG. 3 is a perspective view thereof;
FIG. 4 is a top view of a second embodiment thereof;
FIG. 5 is a perspective view of a second embodiment thereof;
FIG. 6 is a front view of the second embodiment;
FIG. 7 is a top view of the third embodiment thereof;
FIG. 8 is a front view of the third embodiment; and,
FIG. 9 is a perspective view of the third embodiment.
The broken lines shown in the figures illustrate portions of the handle for doors of protection barriers for industrial machine, that form no part of the claimed design.

1 Claim, 9 Drawing Sheets



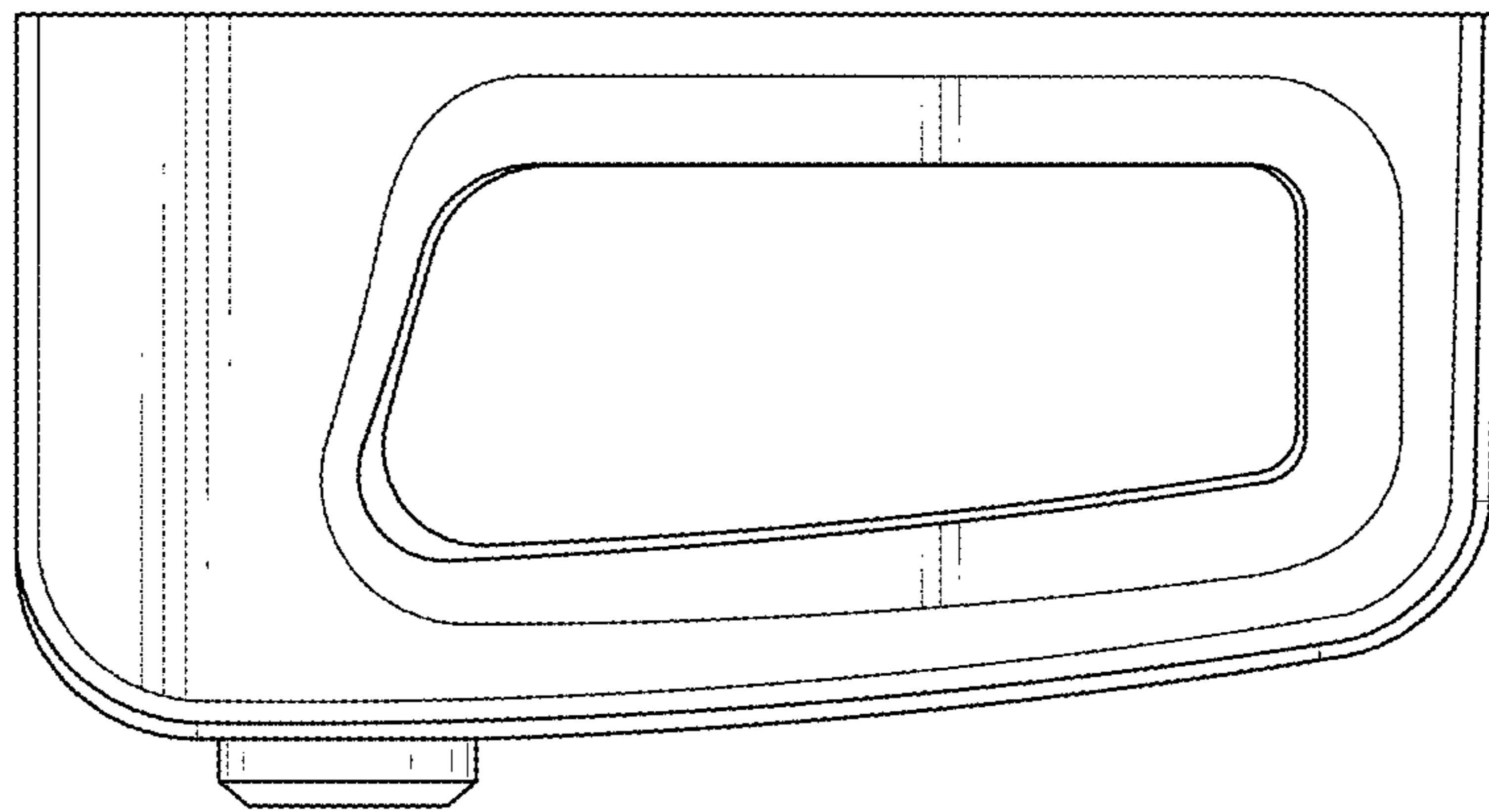


FIG. 1

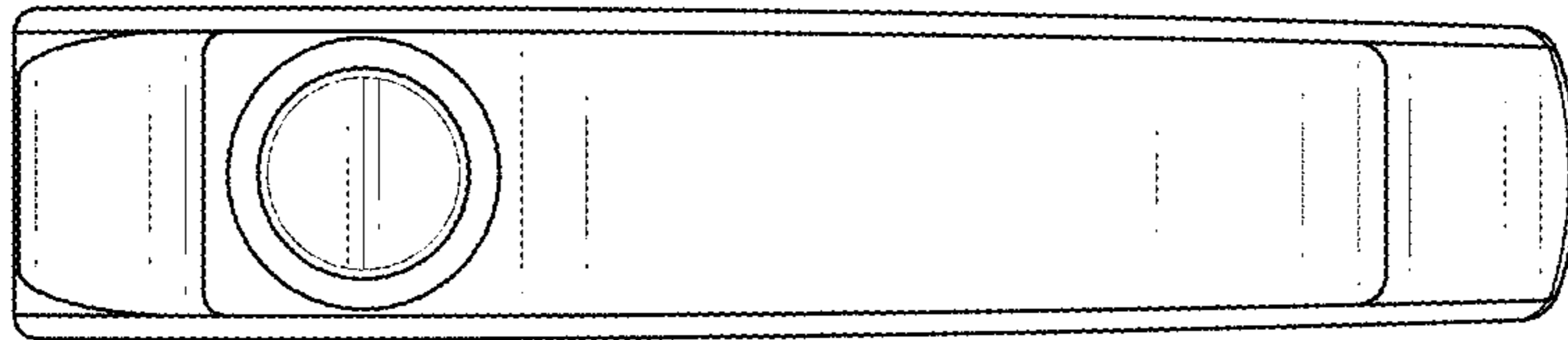


FIG. 2

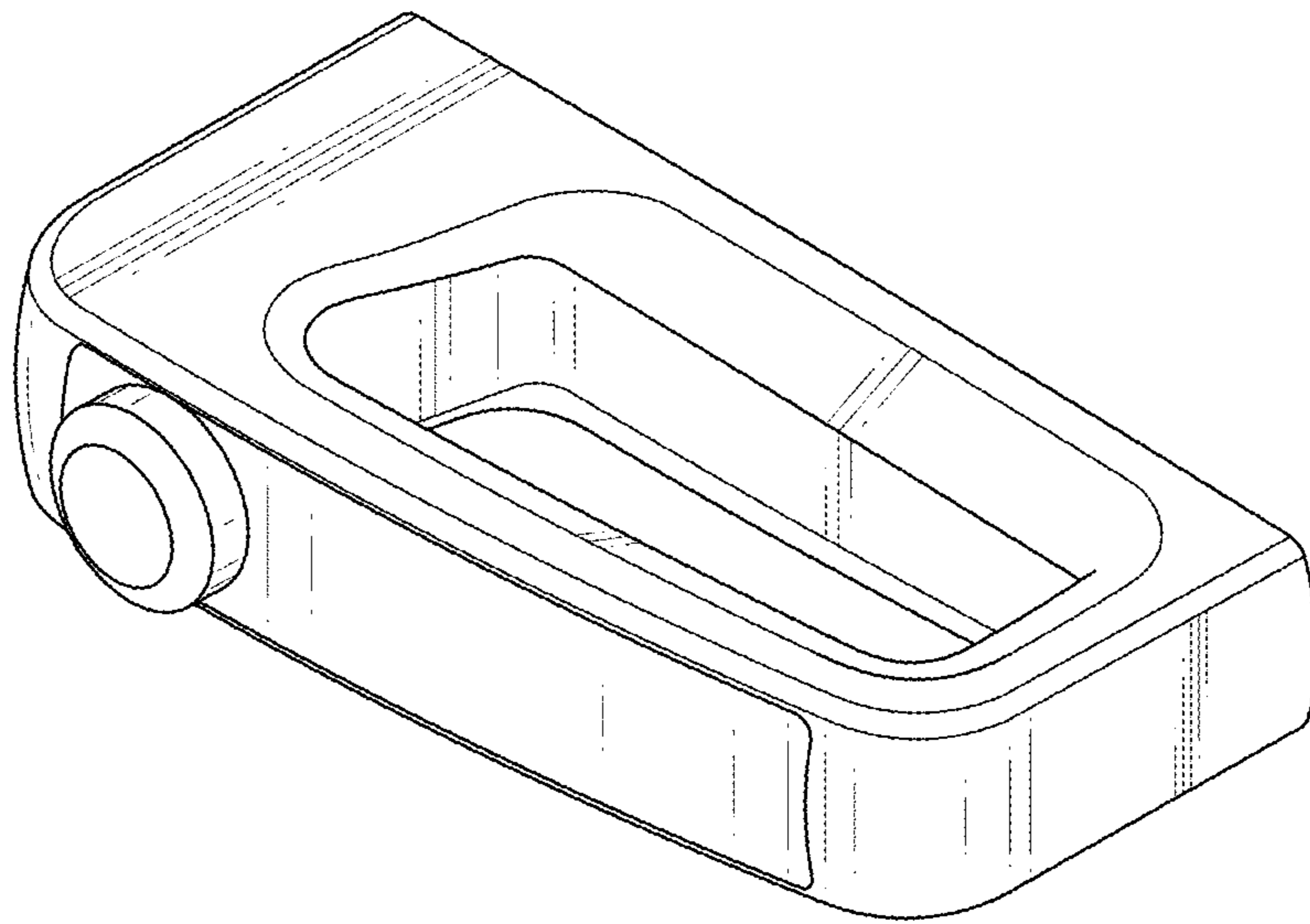


FIG. 3

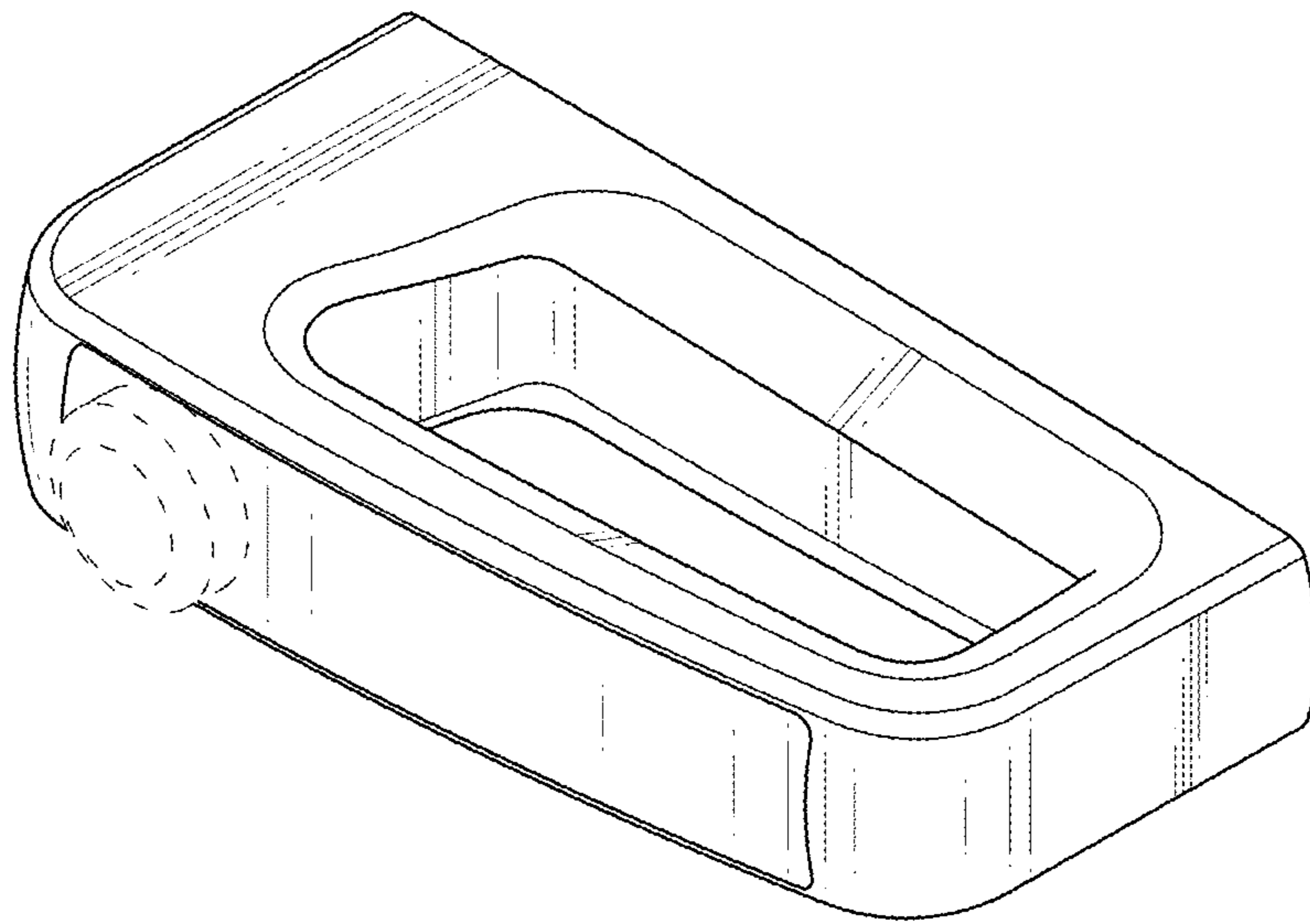


FIG. 4

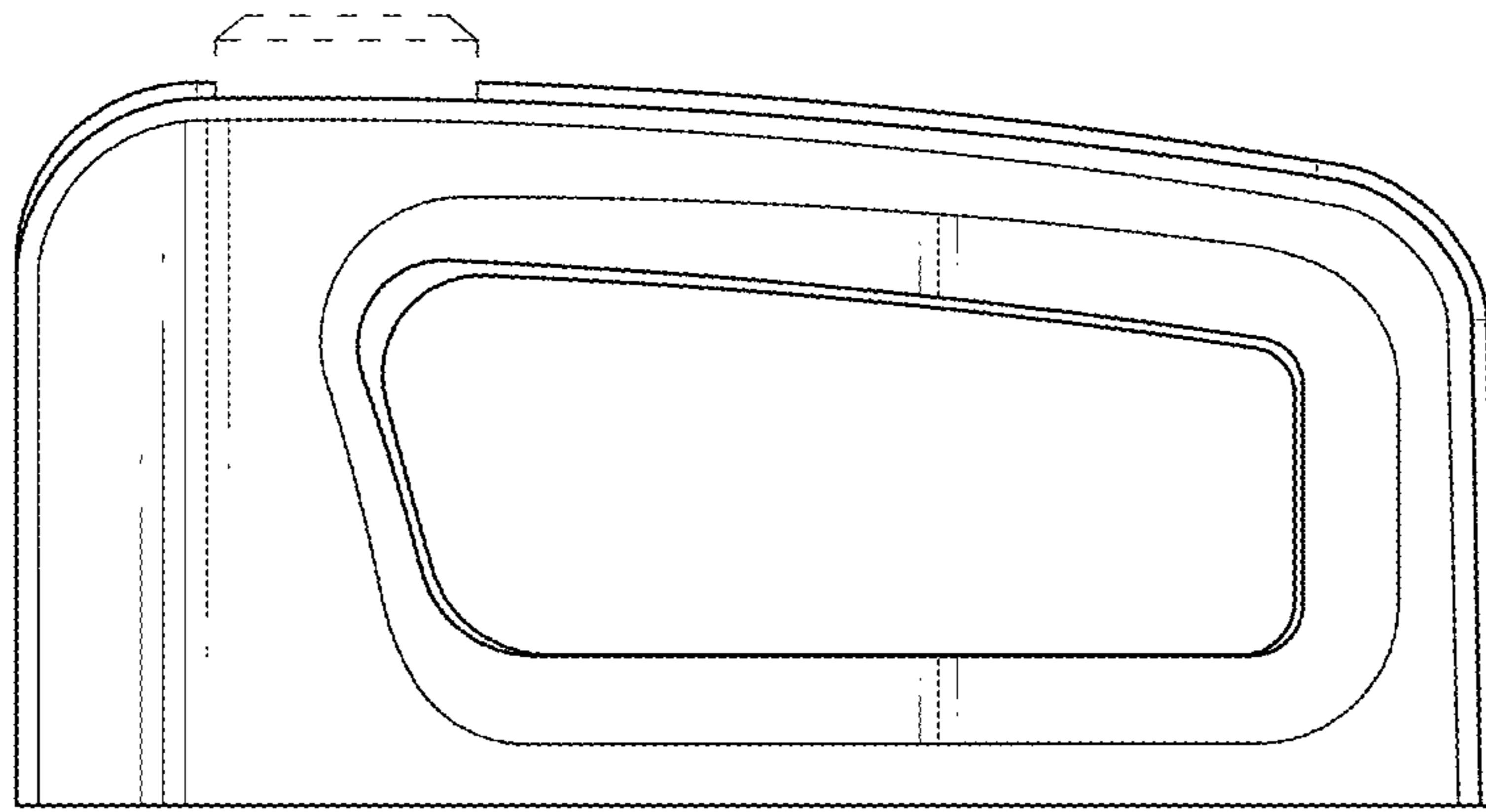


FIG. 5

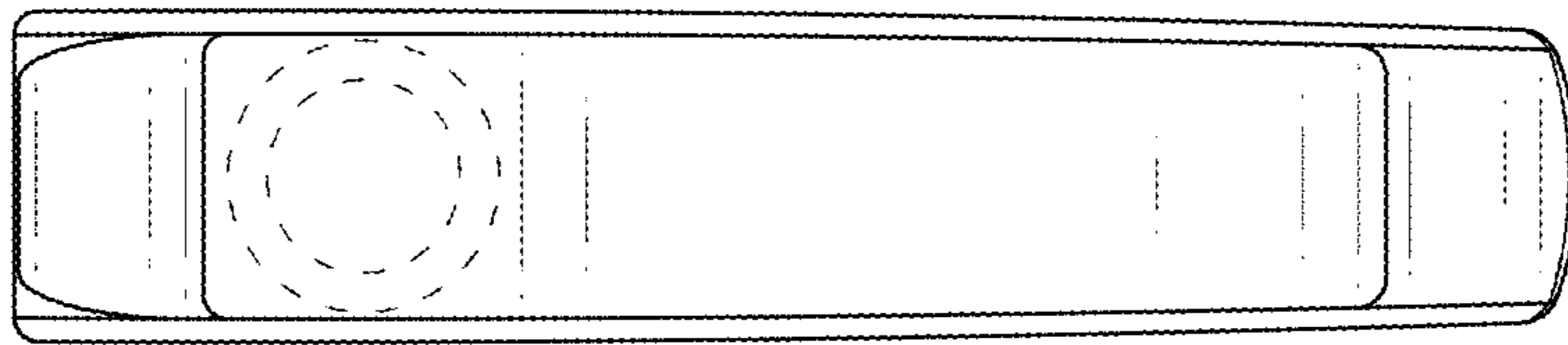


FIG. 6

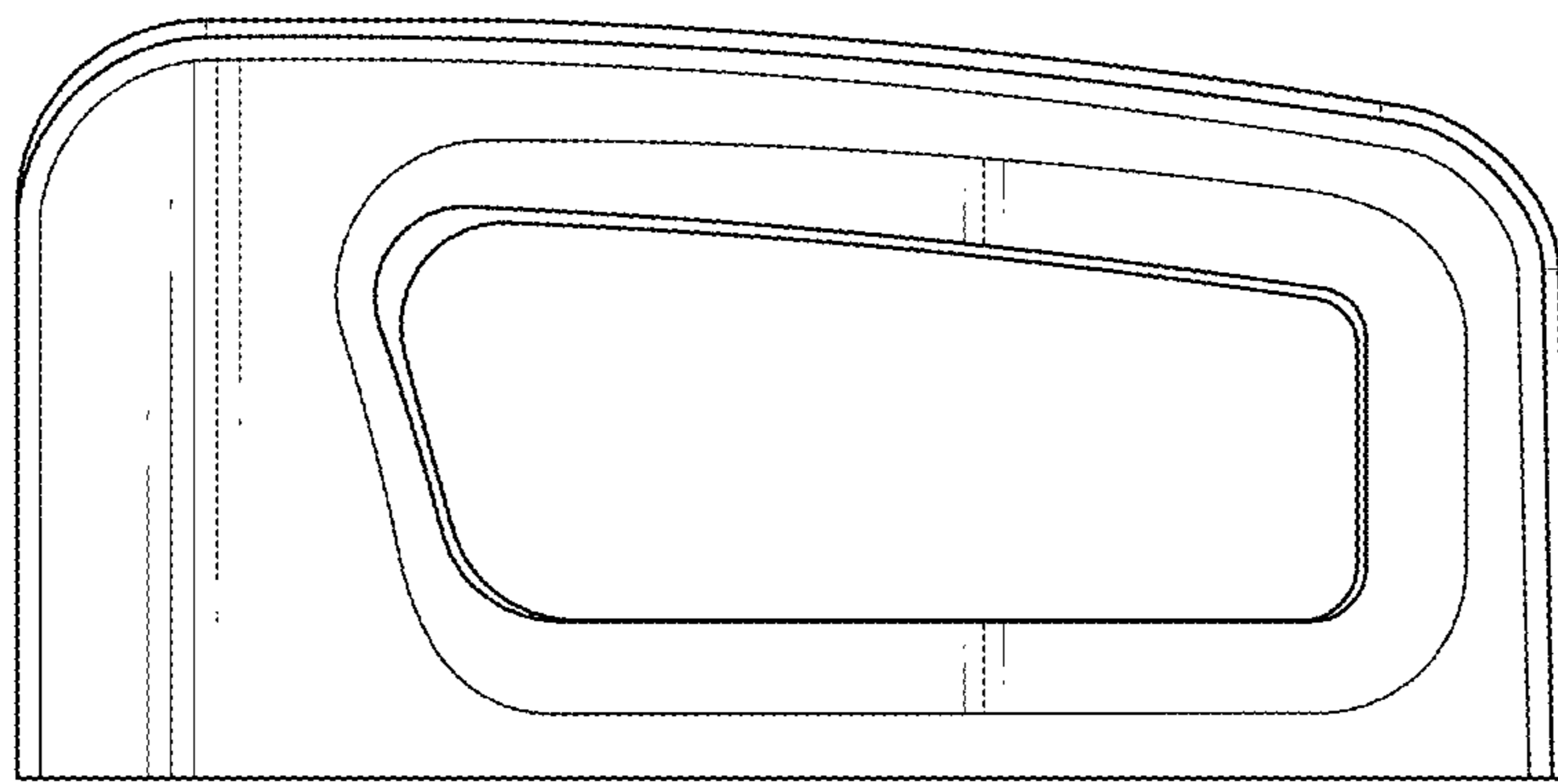


FIG. 7

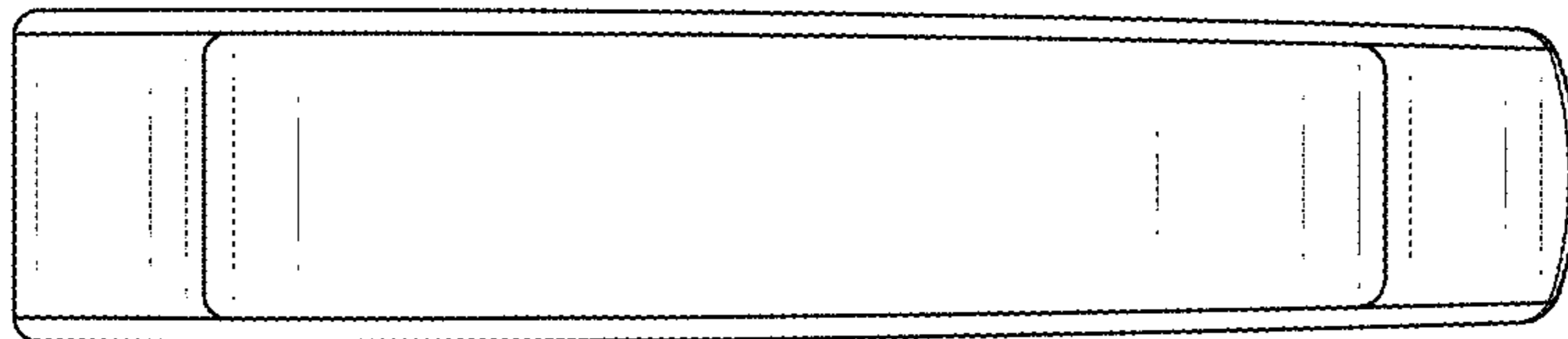


FIG. 8

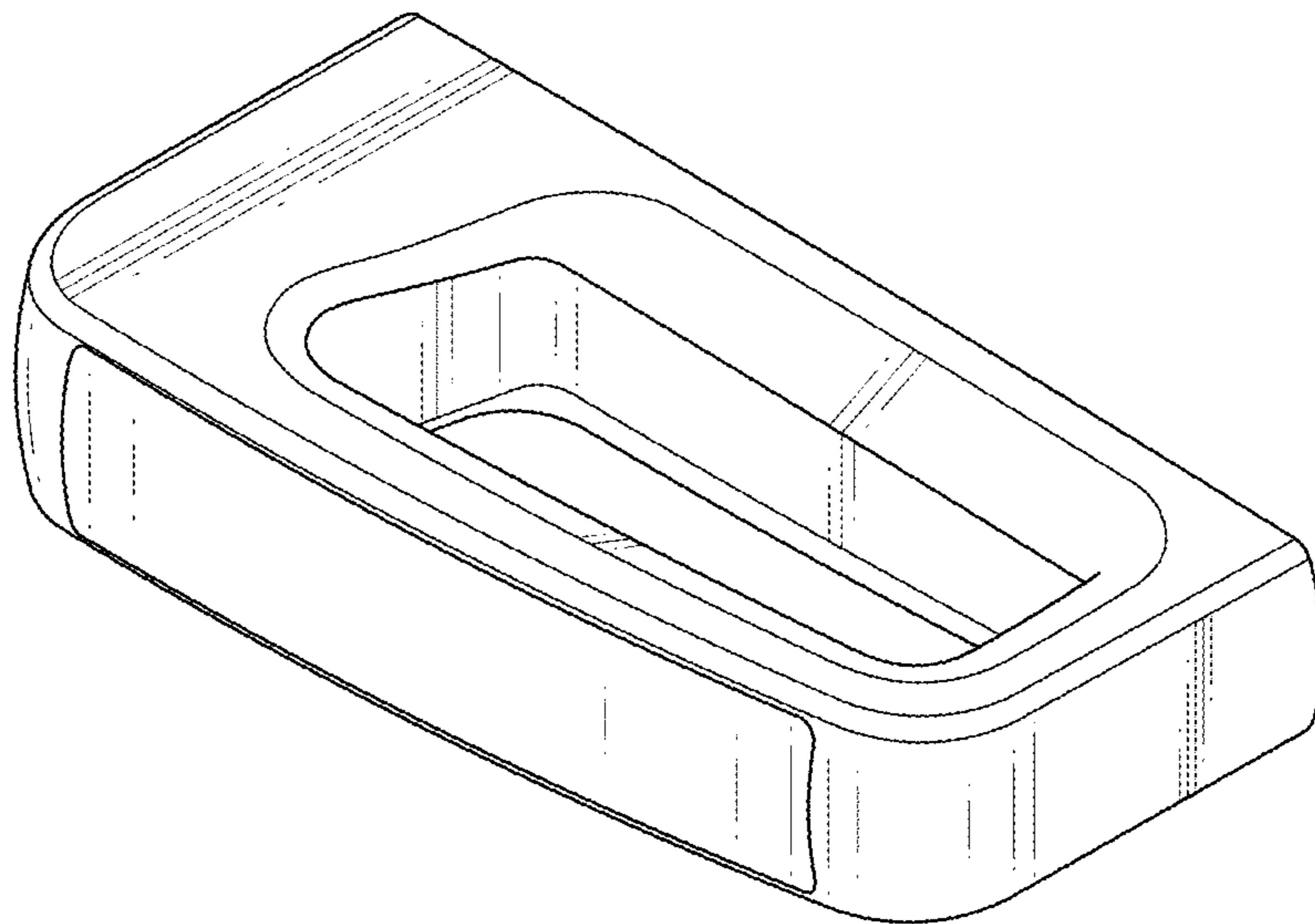


FIG. 9