



US00D988105S

(12) **United States Design Patent** (10) **Patent No.:** **US D988,105 S**
Ouyang (45) **Date of Patent:** **** Jun. 6, 2023**

(54) **KEY SHAPED MULTIPURPOSE TOOL**

(71) Applicant: **Li Ouyang**, Pingxiang (CN)

(72) Inventor: **Li Ouyang**, Pingxiang (CN)

(**) Term: **15 Years**

(21) Appl. No.: **29/852,461**

(22) Filed: **Sep. 7, 2022**

(51) **LOC (14) Cl.** **08-05**

(52) **U.S. Cl.**
USPC **D8/105**

(58) **Field of Classification Search**
USPC D8/14, 16, 17, 18, 19, 33, 34, 40, 105
CPC .. A62B 3/005; A62B 3/00; B25D 5/02; B26B
5/00; B25F 1/00; B25F 1/006; F16M
13/00

See application file for complete search history.

(56) **References Cited**

U.S. PATENT DOCUMENTS

4,546,510	A *	10/1985	Harrison	B26B 23/00 30/151
D403,568	S *	1/1999	Liu	D8/51
D405,953	S *	2/1999	Legg	D3/210
D528,880	S *	9/2006	Belflower	D8/18
8,113,094	B1 *	2/2012	Brackbill	B25B 15/00 81/463
D666,883	S *	9/2012	Howard	F41A 35/00 D8/19
D705,034	S *	5/2014	Connell	D8/105
D726,517	S *	4/2015	Fischer	D8/17
D768,460	S *	10/2016	Adelman	D8/105
D772,679	S *	11/2016	Hawker	D8/105
D773,908	S *	12/2016	Arakelian	D8/16
D799,297	S *	10/2017	Manor	D8/105
D802,079	S *	11/2017	Lees	D8/98
D803,657	S *	11/2017	Hawker	D8/105
D807,725	S *	1/2018	Chalfant	D8/105
D808,240	S *	1/2018	Kelleghan	D8/105

(Continued)

OTHER PUBLICATIONS

Geekey Adventures, by Geekey Multi Tool on YouTube.com. Dated Nov. 2, 2017. Found online [Nov. 10, 2022]. <https://www.youtube.com/watch?v=4TJAx91pTDI>.*

(Continued)

Primary Examiner — Eliza Z Harvey

Assistant Examiner — Kayla Marie Bennett

(74) *Attorney, Agent, or Firm* — Daniel M. Cohn;

Howard M. Cohn

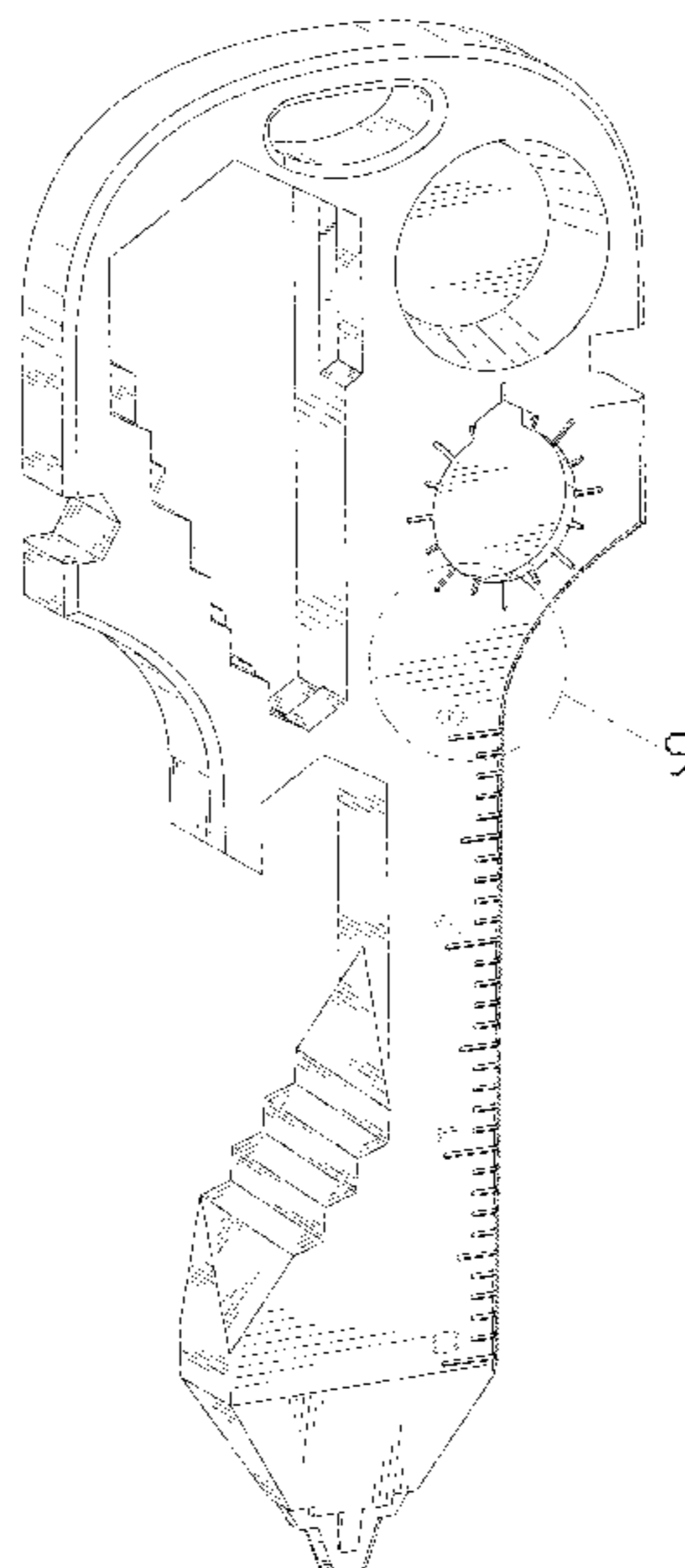
(57) **CLAIM**

The ornamental design for a key shaped multipurpose tool, as shown and described.

DESCRIPTION

FIG. 1 is a perspective view of a first embodiment of a key shaped multipurpose tool showing my new design; FIG. 2 is another perspective view thereof; FIG. 3 is a front elevational view thereof; FIG. 4 is a rear elevational view thereof; FIG. 5 is a left side elevational view thereof; FIG. 6 is a right side elevational view thereof; FIG. 7 is a top plan view thereof; FIG. 8 is a bottom plan view thereof; FIG. 9 is an enlarged view of portion 9 shown in FIG. 1; FIG. 10 is an enlarged view of portion 10 shown in FIG. 2; FIG. 11 is an enlarged view of portion 11 shown in FIG. 2; and, FIG. 12 is an enlarged view of portion 12 shown in FIG. 8. The dash-dash broken lines in the drawings depict portions of the key shaped multipurpose tool that form no part of the claimed design. The dot-dash broken lines represent boundaries of the enlarged portions and form no part of the claimed design.

1 Claim, 12 Drawing Sheets



(56)

References Cited

U.S. PATENT DOCUMENTS

D808,764	S *	1/2018	Weinberger	D8/105
D837,930	S *	1/2019	Drai	D22/117
D842,069	S *	3/2019	Kao	D7/643
D842,070	S *	3/2019	Kisling	D8/19
D848,813	S *	5/2019	Kelleghan	D8/105
D878,892	S *	3/2020	Kao	D8/105
D879,581	S *	3/2020	Arakelian	D8/19
D887,811	S *	6/2020	Adelman	D8/105
D888,528	S *	6/2020	Hepler	D8/19
D918,692	S *	5/2021	Adelman	D8/356
D938,254	S *	12/2021	Ormsbee	D8/105
D945,843	S *	3/2022	Banchitta	D8/18
D947,008	S *	3/2022	Escobar	D8/356
D963,445	S *	9/2022	Colli	D8/16
D963,446	S *	9/2022	Colli	D8/16
D964,827	S *	9/2022	Tsai	D8/14
2021/0323141	A1 *	10/2021	Tunney	B25J 1/04

OTHER PUBLICATIONS

Geekey Features, by Geekey Multi Tool on YouTube.com. Dated Nov. 2, 2017. Found online [Nov. 10, 2022]. <https://www.youtube.com/watch?v=doSYa7H3W6c>.*

The Geekey Multi-Tool!!, by Dankology on YouTube.com. Dated May 12, 2019. Found online [Nov. 10, 2022]. <https://www.youtube.com/watch?v=xm9NoiPqbH4>.*

Geekey Multi-Tool {Review}, by Rachel Leave on titus2homemaker.com. Dated Nov. 27, 2019. Found online [Nov. 10, 2022]. <https://titus2homemaker.com/geekey-multitool/>.*

Geekey Multi-Tool Review, by Unboxed Trades on YouTube.com. Dated Nov. 30, 2019. Found online [Nov. 10, 2022]. https://www.youtube.com/watch?v=v_obaojmjK5k.*

24 in 1 Multi-Tool Key, by Kiislees on Amazon.com. Dated Nov. 30, 2020. Found online [Nov. 10, 2022]. <https://www.amazon.ca/Multi-Tool-Stainless-Measuring-Screwdriver-Stripping/dp/B08PC58YWN>.*

* cited by examiner

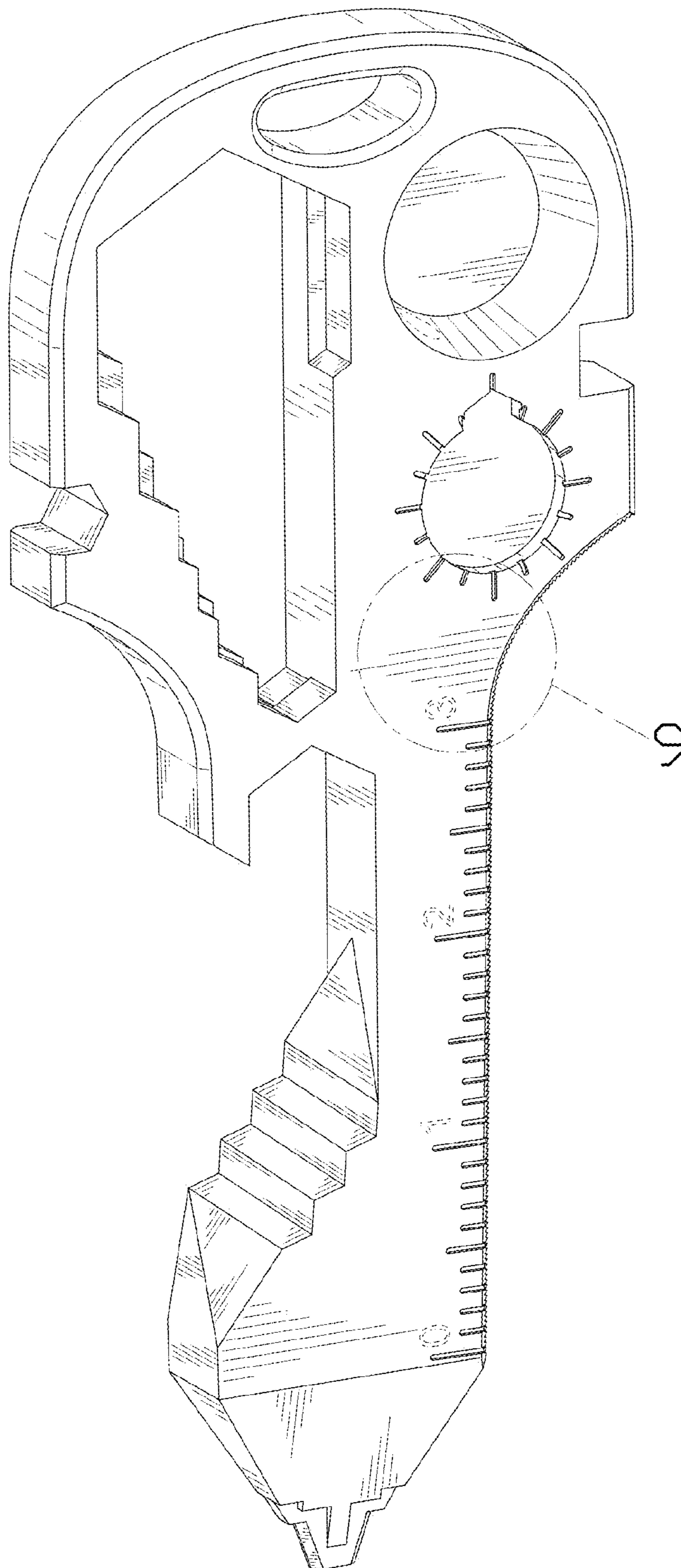


FIG. 1

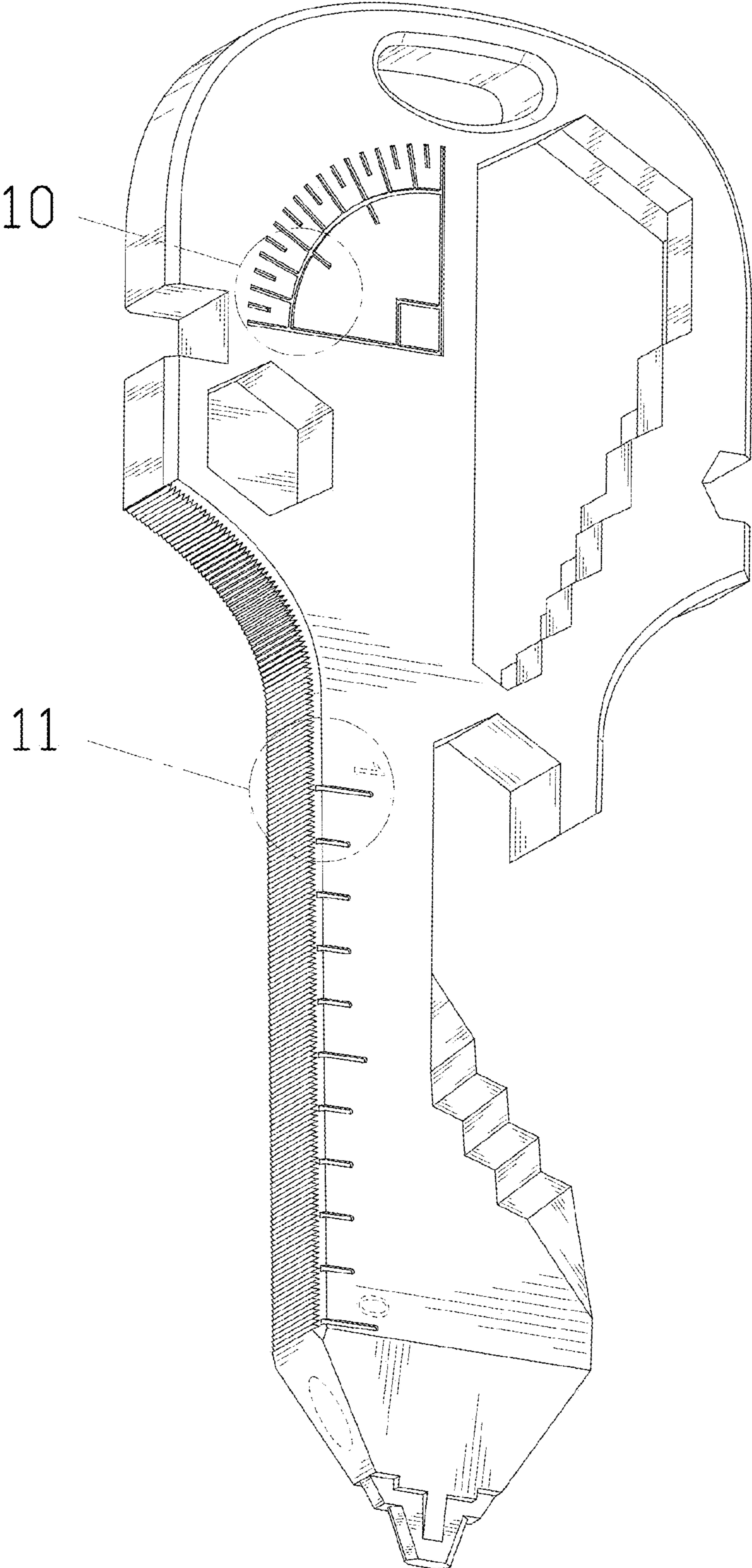


FIG. 2

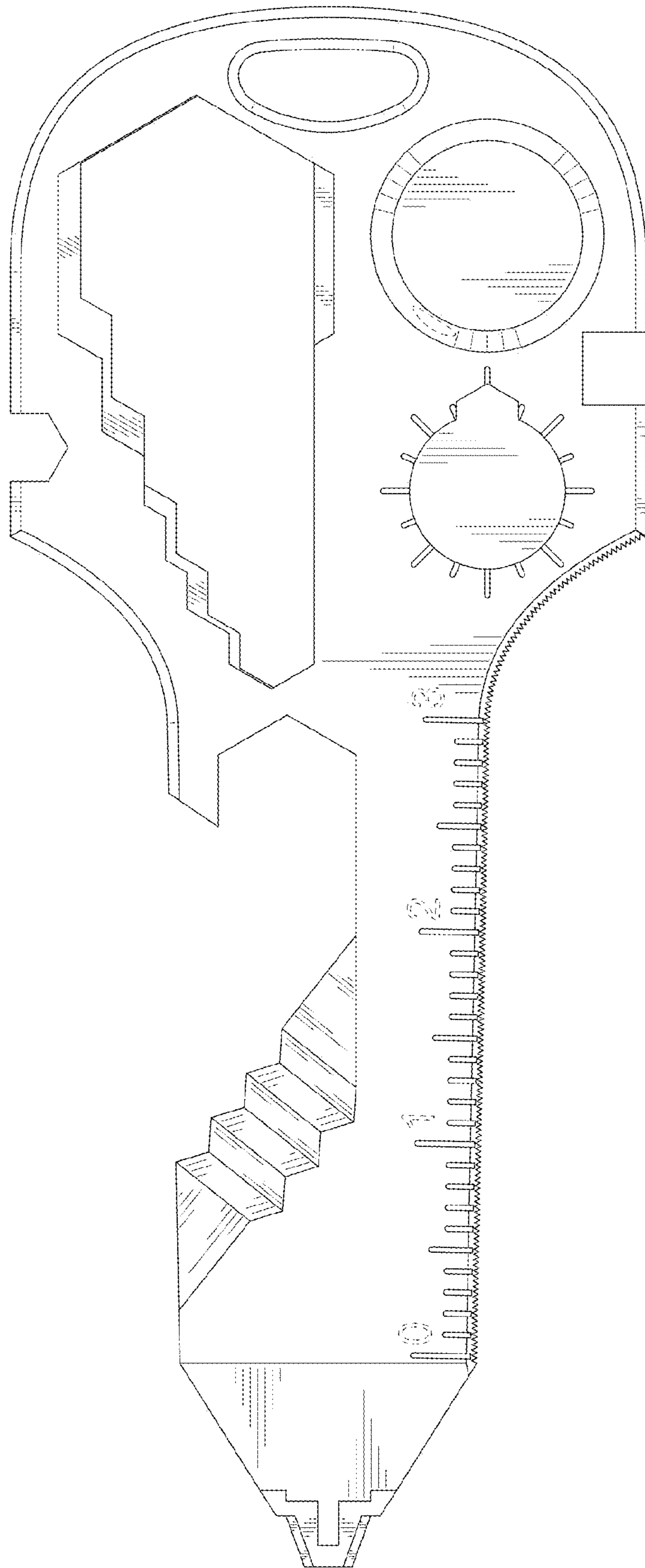


FIG. 3

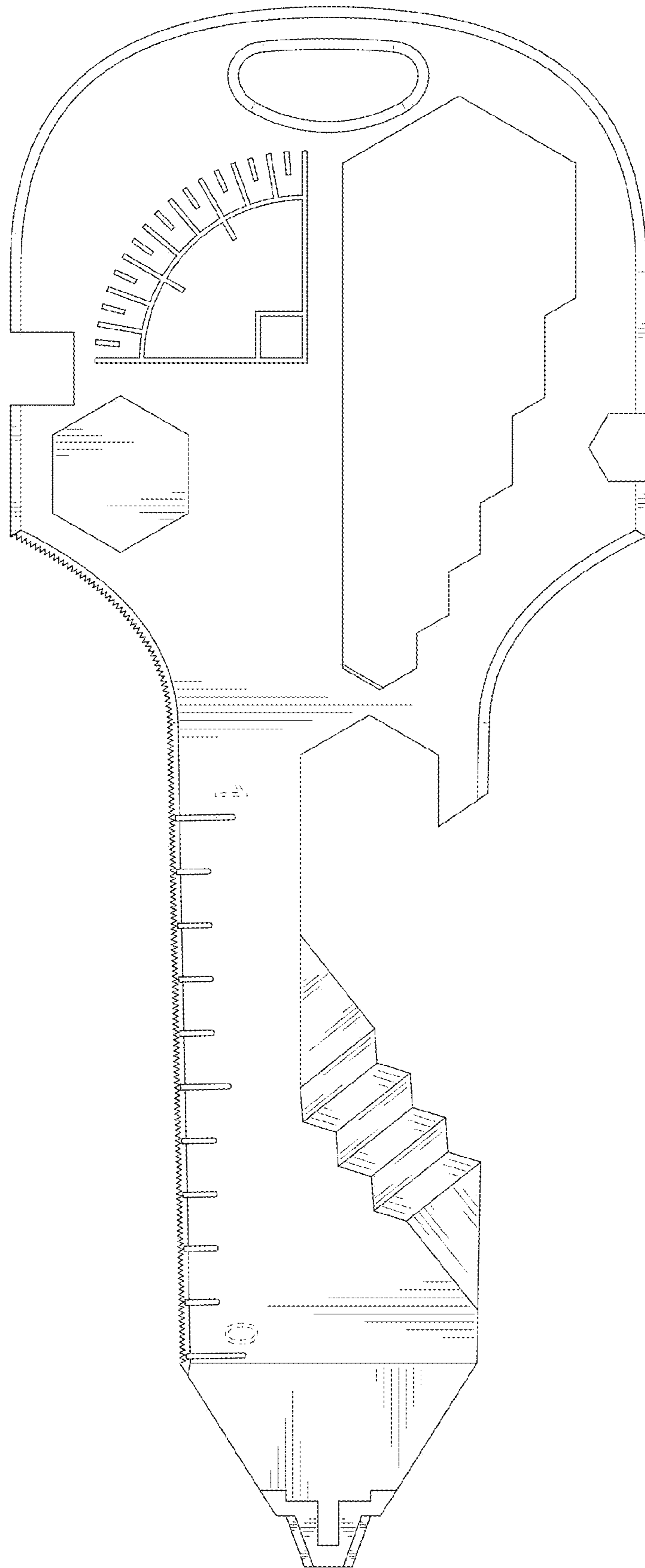


FIG. 4

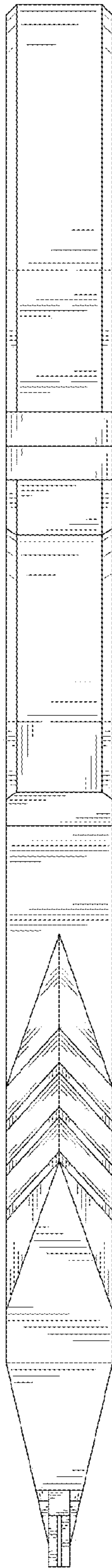


FIG. 5

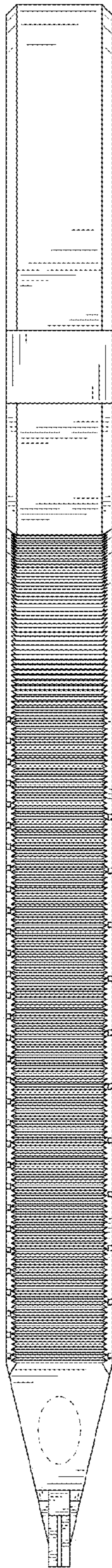


FIG. 6

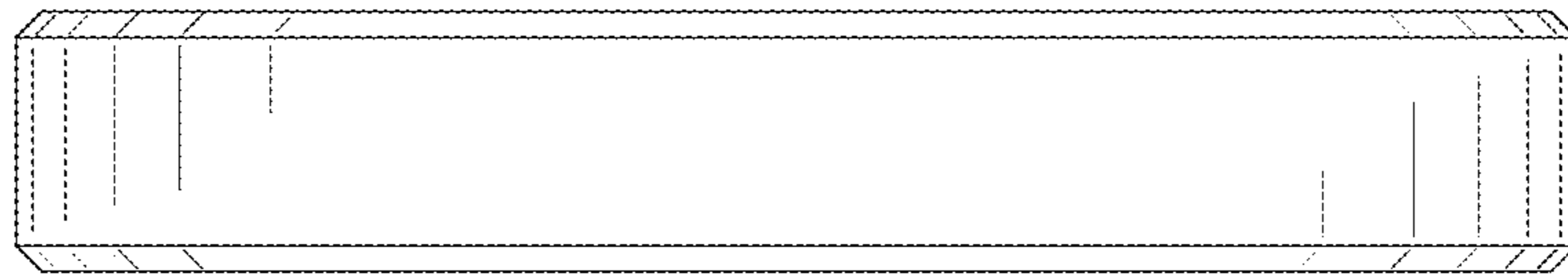


FIG. 7

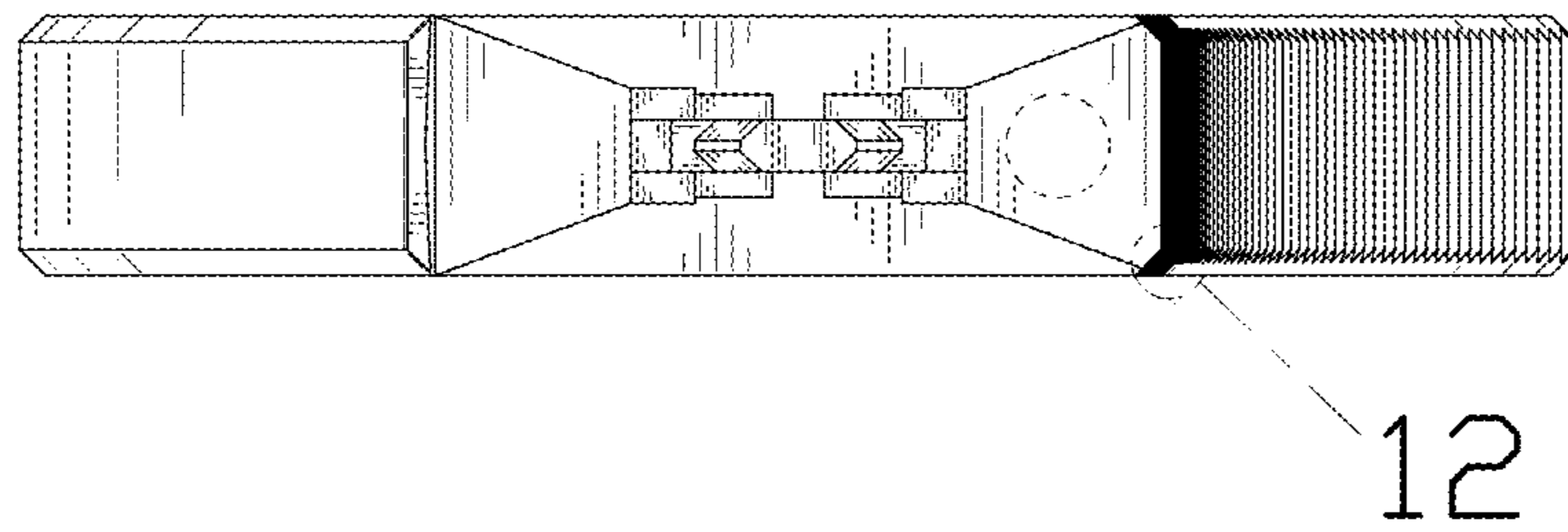


FIG. 8

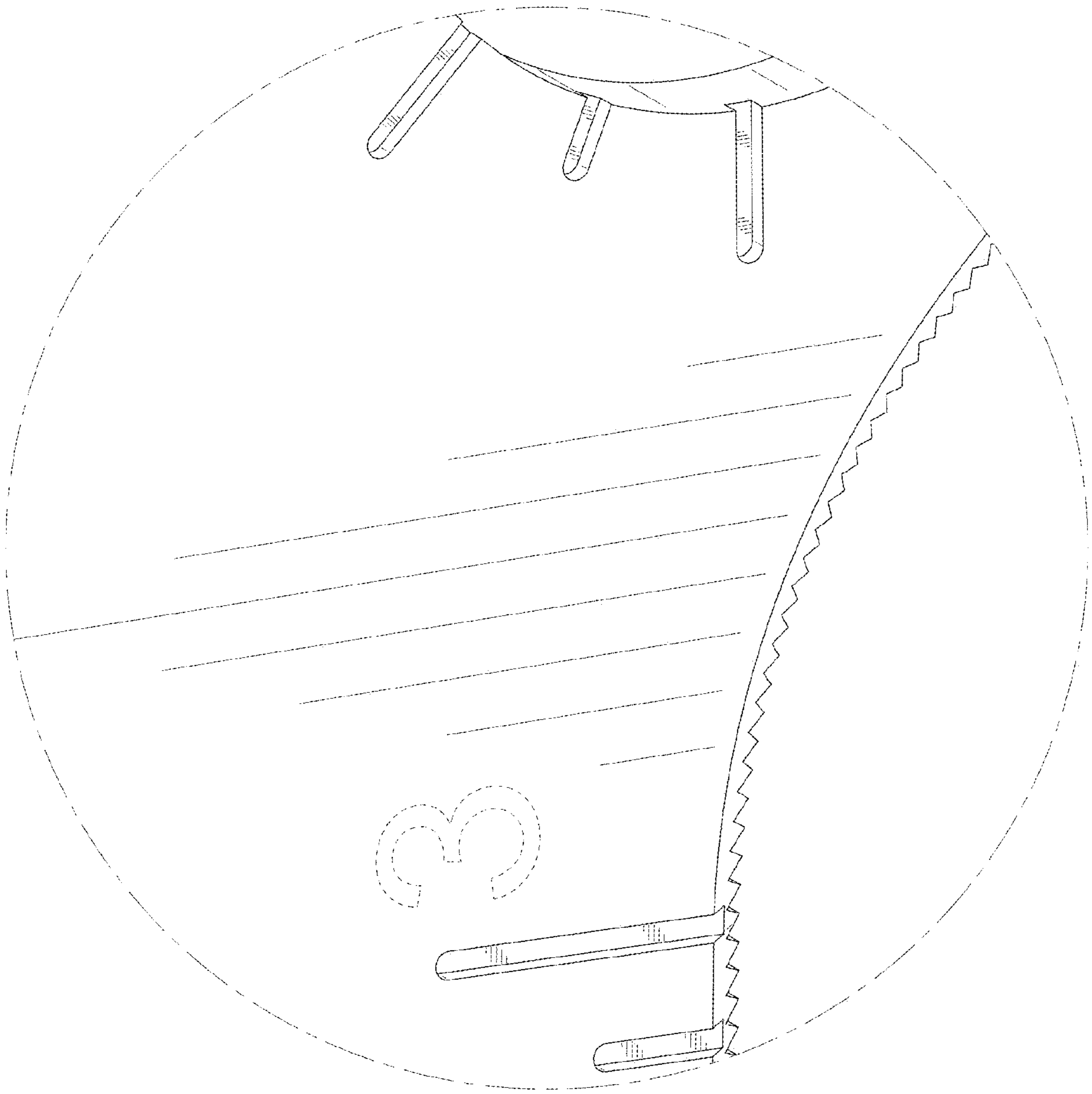


FIG. 9

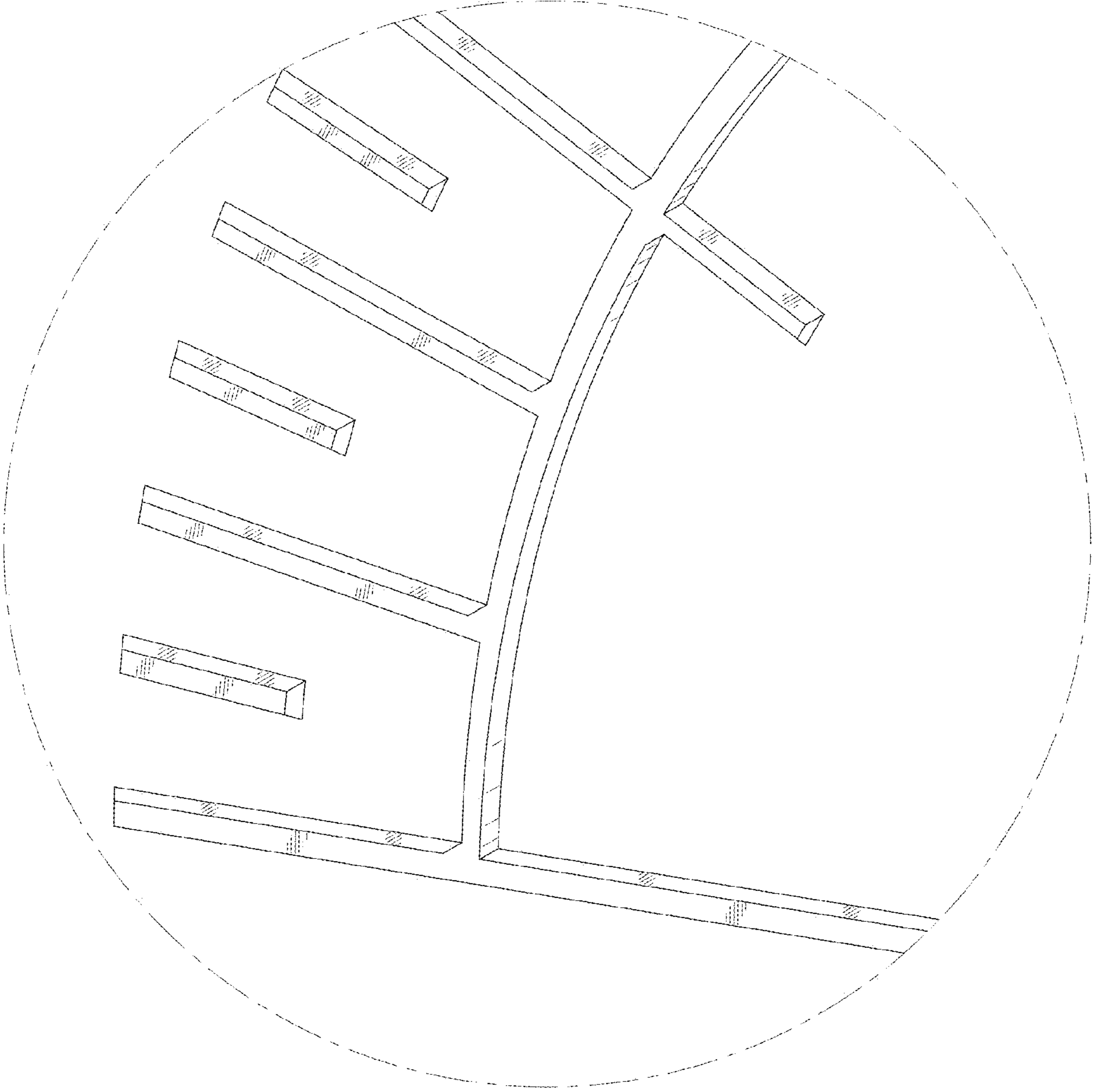


FIG. 10

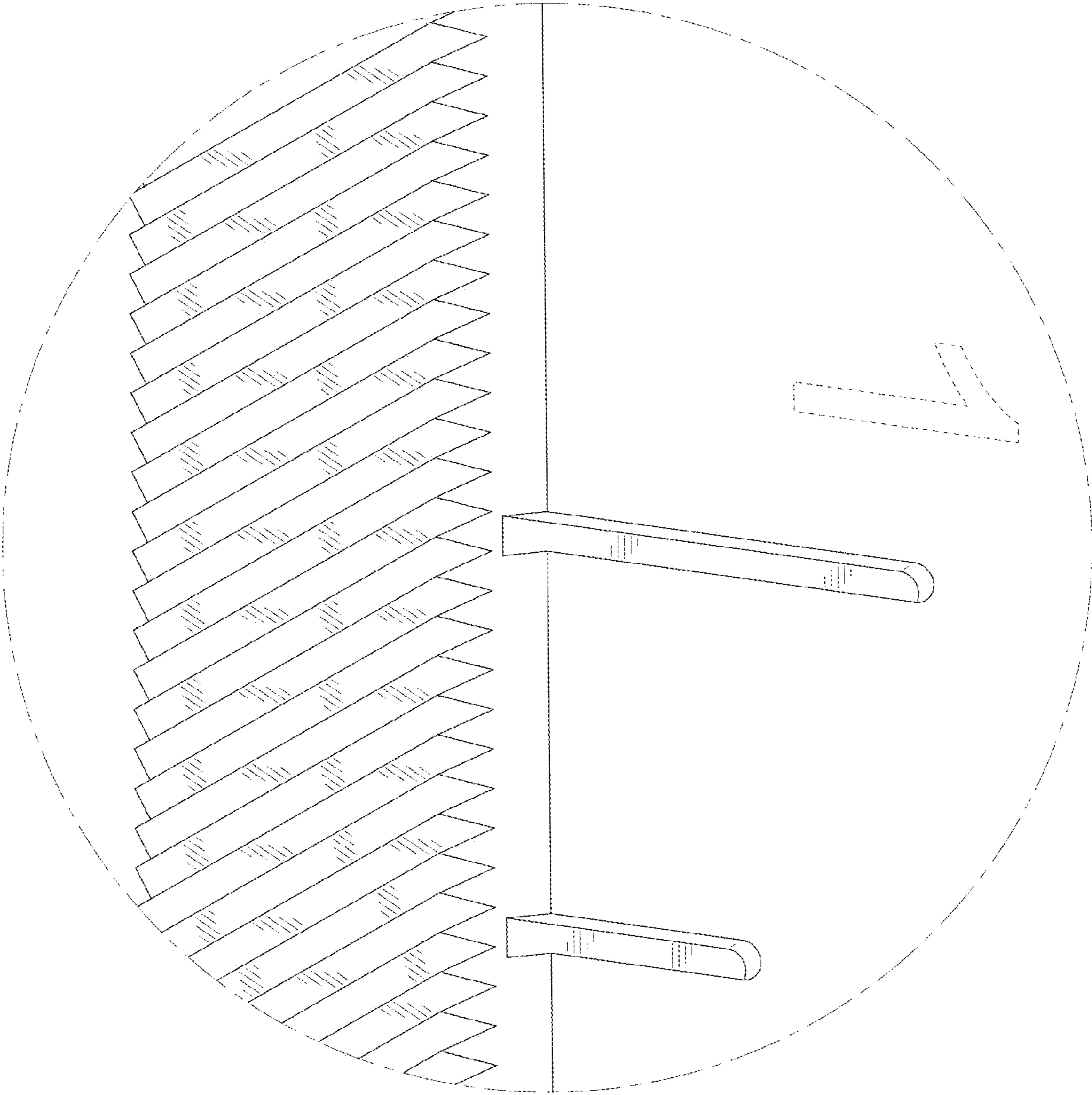


FIG. 11

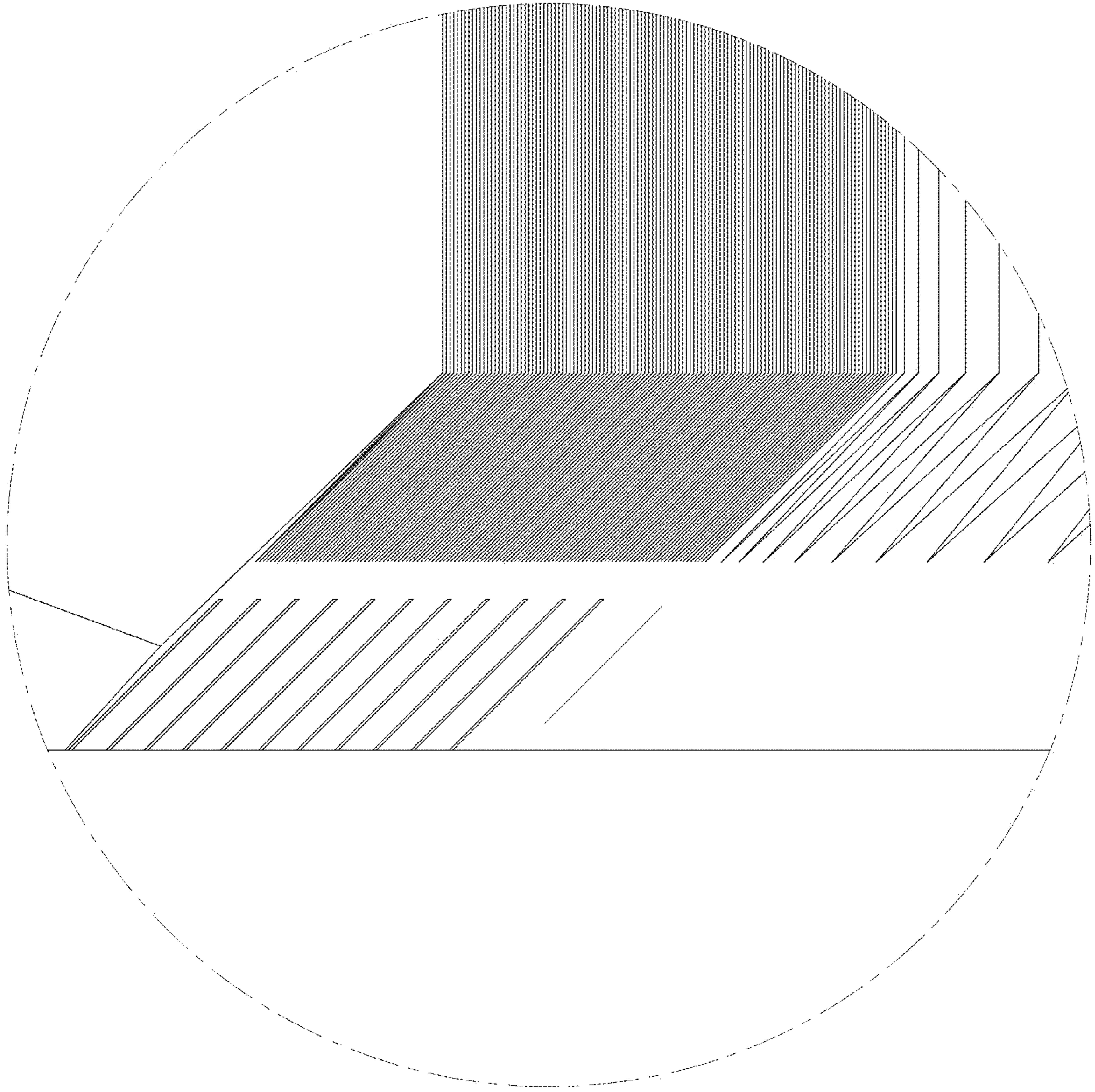


FIG. 12