



US00D988104S

(12) **United States Design Patent**
Powers

(10) **Patent No.:** **US D988,104 S**

(45) **Date of Patent:** **** *Jun. 6, 2023**

(54) **RETRACTABLE KNIFE**

(71) Applicant: **Tactical Product Innovations, LLC,**
Wichita, KS (US)

(72) Inventor: **Lance W. Powers,** Wichita, KS (US)

(73) Assignee: **TACTICAL PRODUCT**
INNOVATIONS, LLC, Wichita, KS
(US)

(*) Notice: This patent is subject to a terminal disclaimer.

(**) Term: **15 Years**

(21) Appl. No.: **29/708,194**

(22) Filed: **Oct. 3, 2019**

(51) **LOC (14) Cl.** **08-03**

(52) **U.S. Cl.**
USPC **D8/99**

(58) **Field of Classification Search**
USPC D8/98, 99, 100, 105, 107; D22/118
CPC B26B 5/001; B26B 5/003; B26B 11/00;
B26B 1/08; B26B 1/02; B26B 1/10;
B26B 1/04; B26B 1/042; B26B 1/048;
B26B 3/08; B26B 29/06
See application file for complete search history.

(56) **References Cited**

U.S. PATENT DOCUMENTS

10,220,527 B1 * 3/2019 Marfione B26B 9/02
D870,532 S * 12/2019 Marfione D8/99
D871,187 S * 12/2019 Marfione D8/99

D898,541 S * 10/2020 Chumchal D8/99
D898,542 S * 10/2020 Marfione D8/99
2008/0222895 A1 * 9/2008 Marfione B26B 1/10
30/151

* cited by examiner

Primary Examiner — Philip S Hyder

(74) *Attorney, Agent, or Firm* — Kutak Rock LLP

(57) **CLAIM**

The ornamental design for a retractable knife, as shown and described.

DESCRIPTION

FIG. 1 is a left side frontal-perspective view of a retractable knife of an embodiment of the inventive concept.

FIG. 2 is a top plan view of the retractable knife of FIG. 1.

FIG. 3 is right side elevation view of the retractable knife of FIG. 1.

FIG. 4 is a bottom plan view of the retractable knife of FIG. 1.

FIG. 5 is a left side elevation view of the retractable knife of FIG. 1.

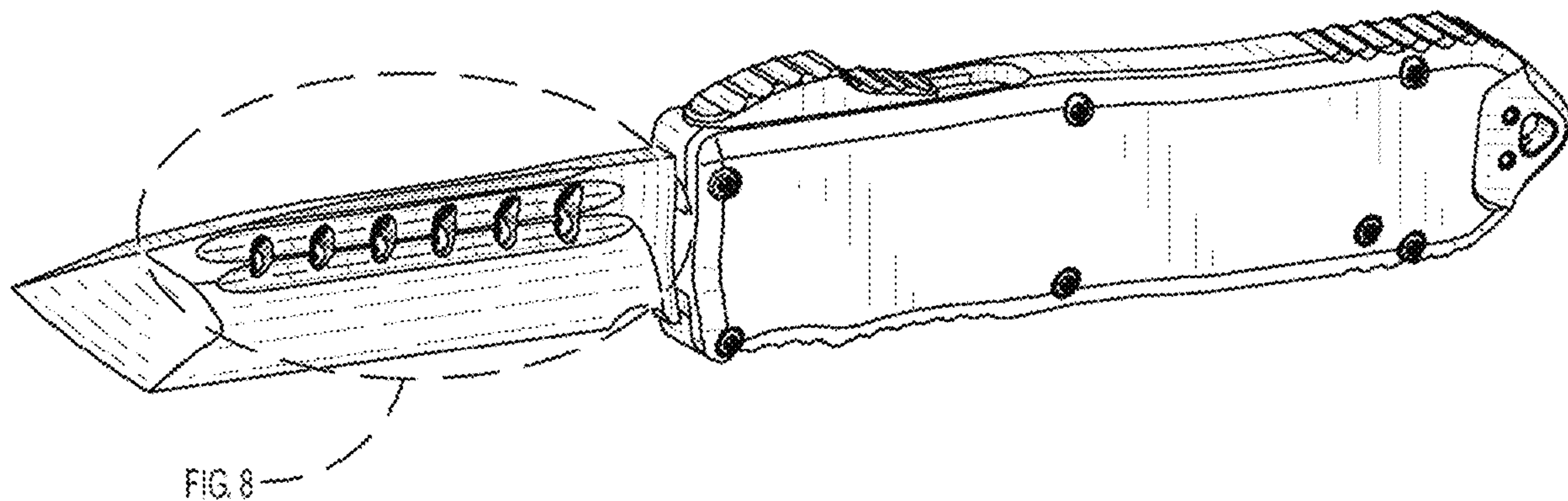
FIG. 6 is a rear elevation view of the retractable knife of FIG. 1.

FIG. 7 is a front elevation view of the retractable knife of FIG. 1.

FIG. 8 is a detail view of a portion of the retractable knife of FIG. 1 taken from area "FIG. 8" of FIG. 1, the opposing side being a mirror image thereof; and,

FIG. 9 is a detail view of a portion of the retractable knife of FIG. 1 taken from area "FIG. 9" of FIG. 8, the opposing side being a mirror image thereof.

1 Claim, 9 Drawing Sheets



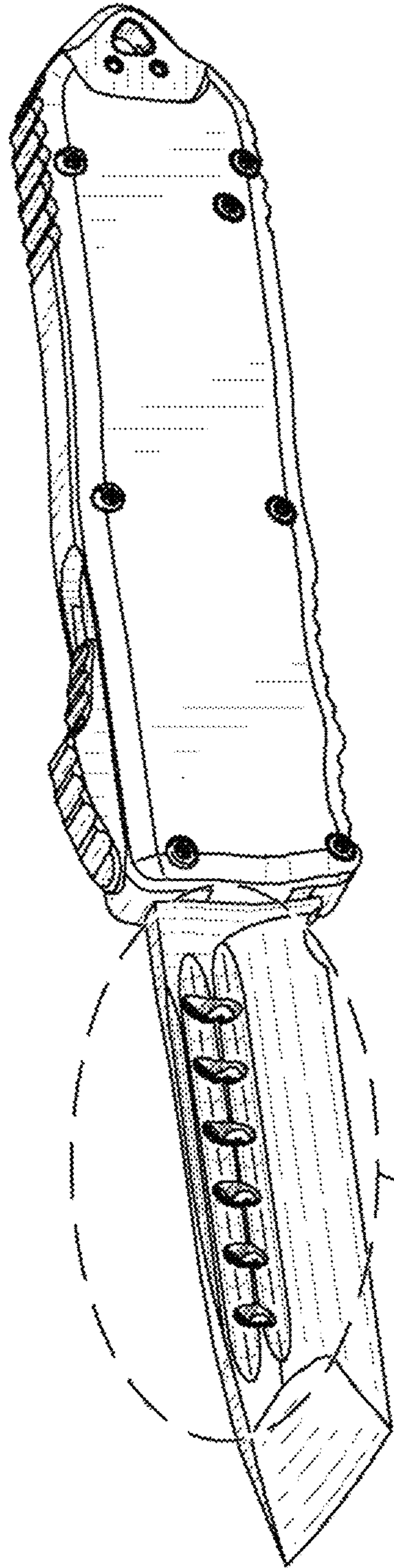


FIG. 8

FIG. 1

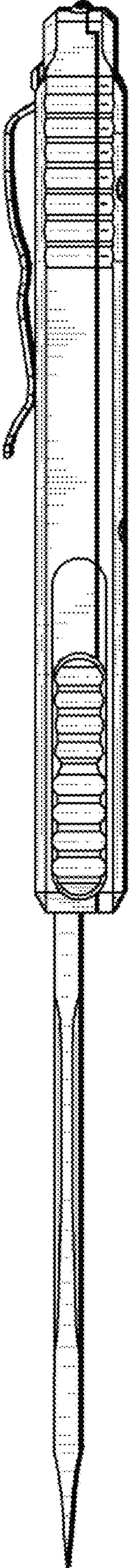


FIG. 2

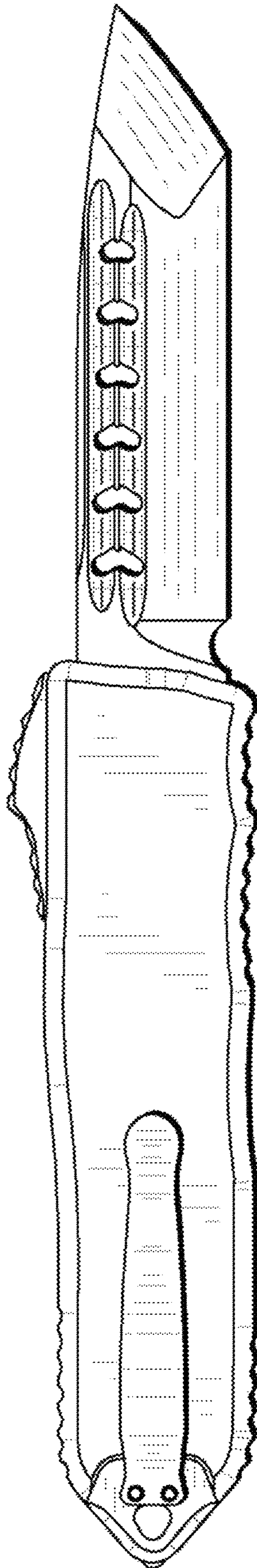


FIG. 3

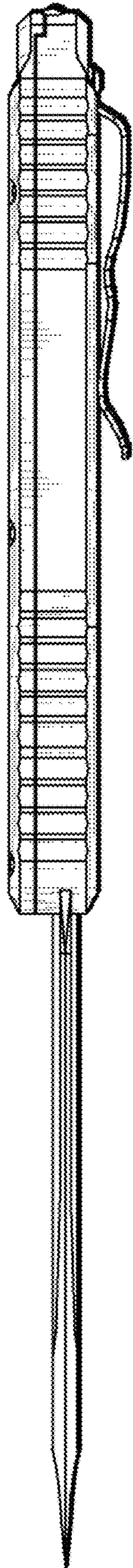


FIG. 4

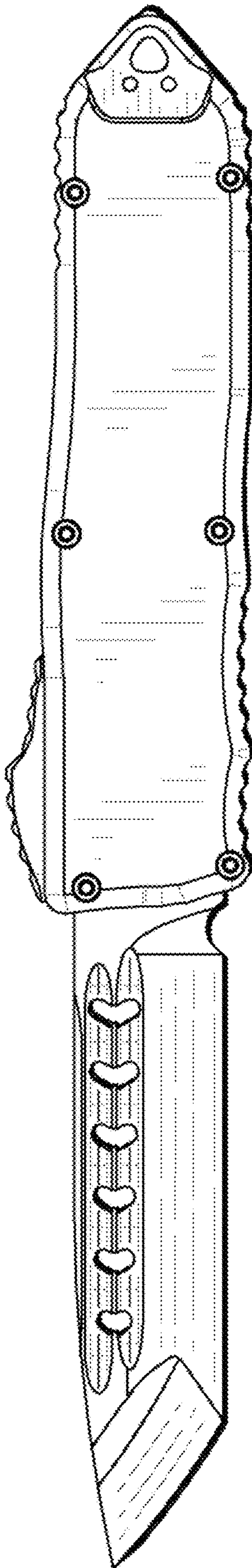


FIG. 5

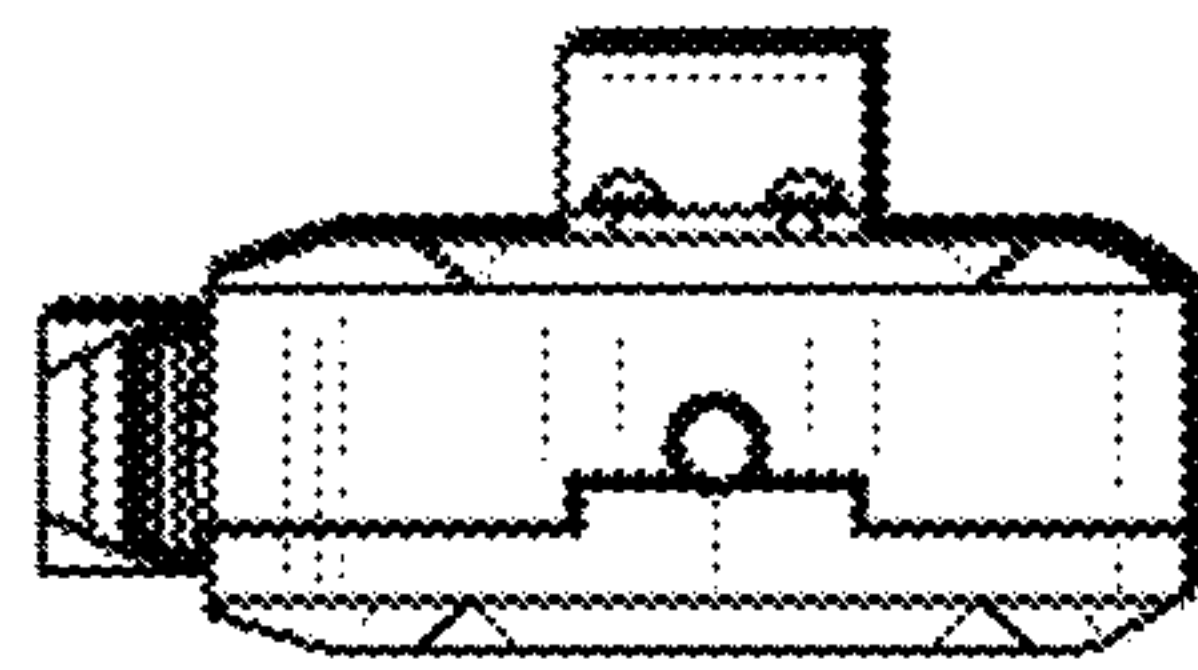


FIG. 6

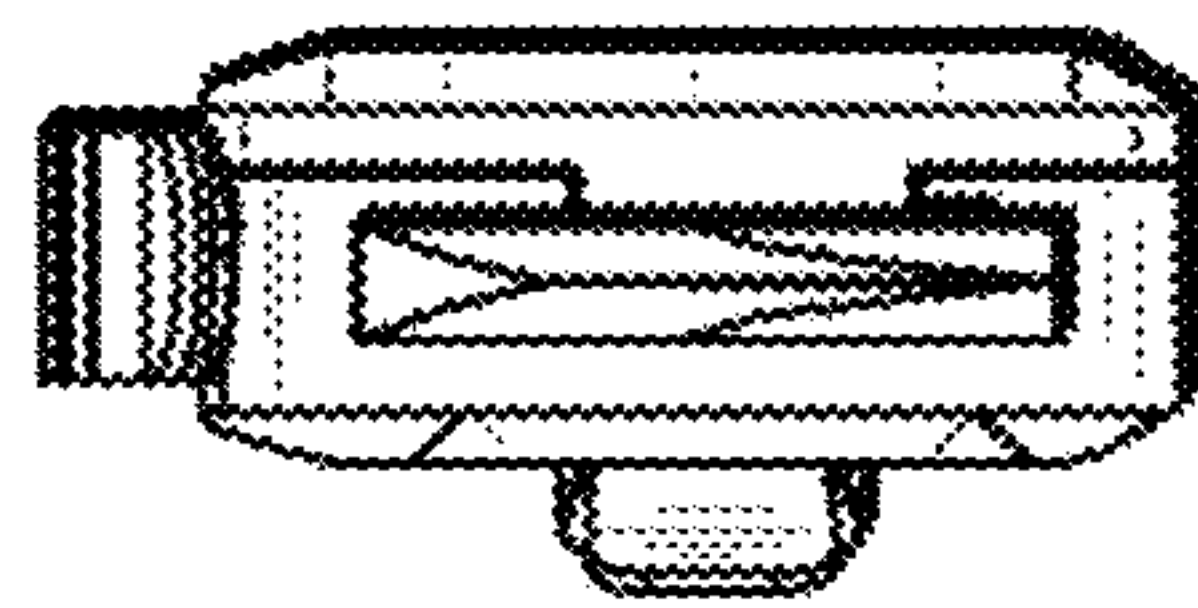


FIG. 7

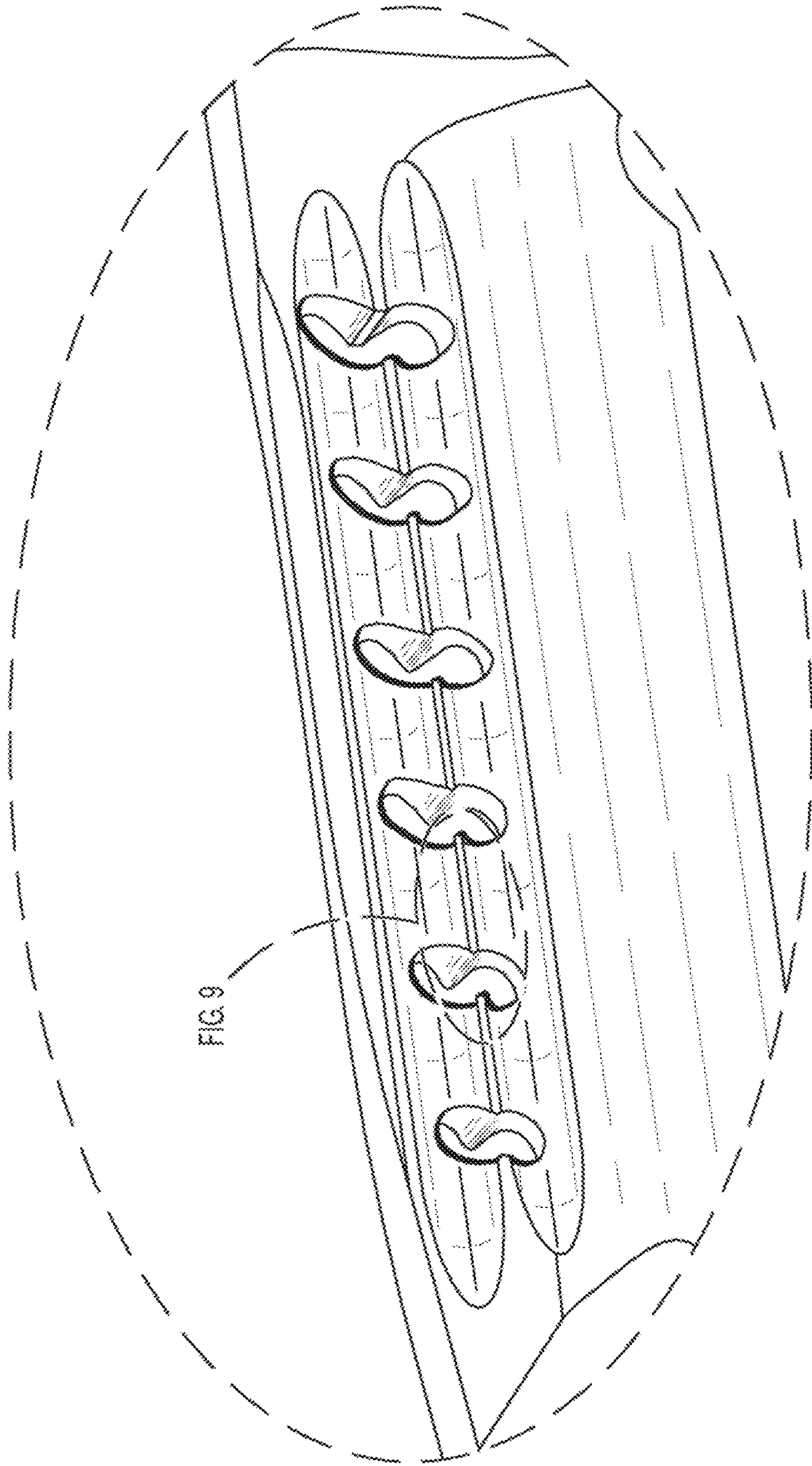


FIG. 9

FIG. 8

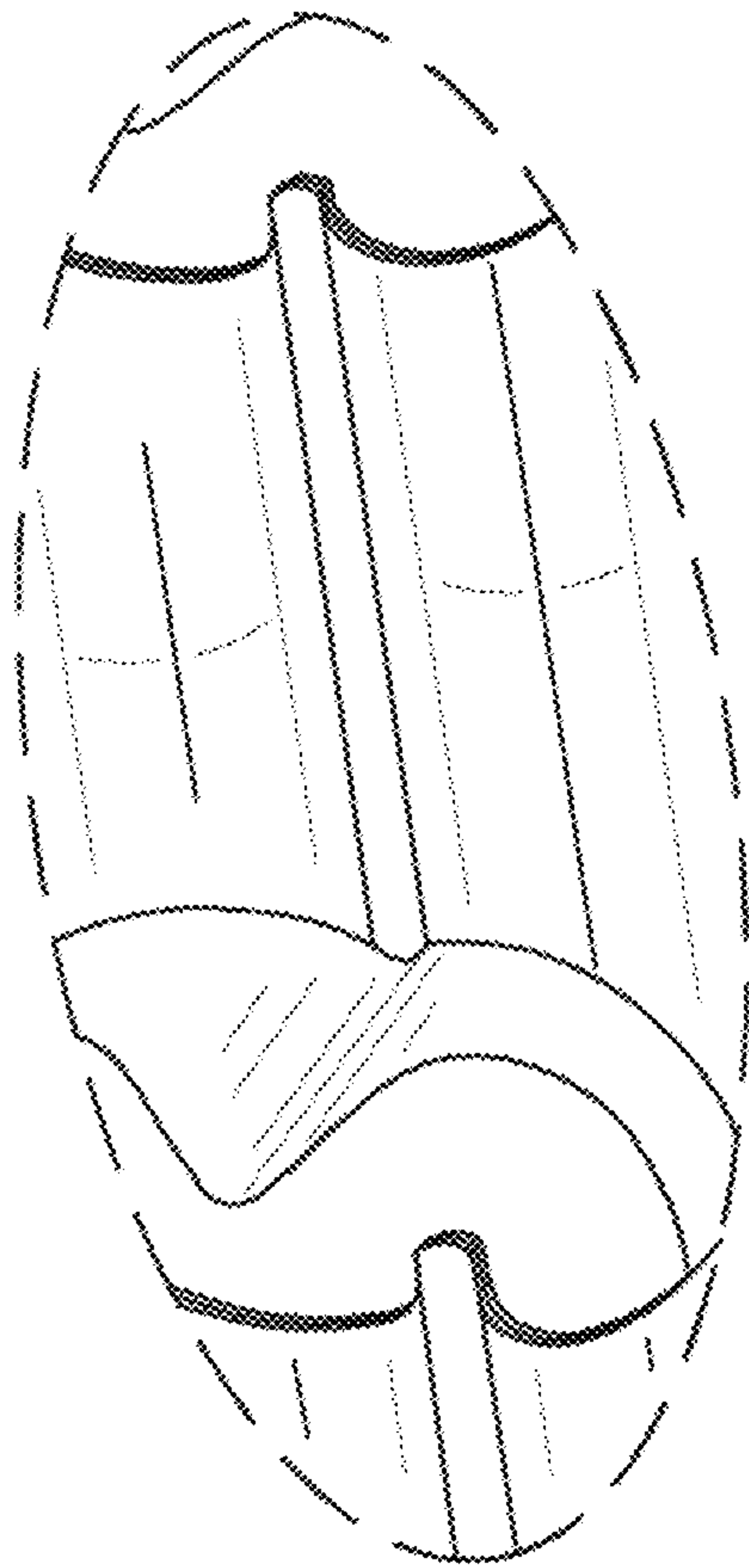


FIG. 9