



US00D988103S

(12) **United States Design Patent**
Dickman et al.

(10) **Patent No.:** **US D988,103 S**
(45) **Date of Patent:** **** Jun. 6, 2023**

(54) **FOLDING KNIFE**

(71) Applicant: **BENCHMADE KNIFE CO., INC.**,
Oregon City, OR (US)

(72) Inventors: **Ryan Dickman**, Sandy, OR (US);
Anthony Cuomo, Tigard, OR (US);
Mark Delplanche, Beaver Creek, OR
(US)

(73) Assignee: **Benchmade Knife Co., Inc.**, Oregon
City, OR (US)

(**) Term: **15 Years**

(21) Appl. No.: **29/784,514**

(22) Filed: **May 19, 2021**

(51) **LOC (14) Cl.** **08-03**

(52) **U.S. Cl.**
USPC **D8/99**

(58) **Field of Classification Search**
USPC D8/98, 99, 100, 105, 88, 89; D22/118;
D32/46
CPC B26B 1/00; B26B 1/02; B26B 1/04; B26B
5/00; B26B 5/006; B26B 1/10; B26B
1/046

See application file for complete search history.

(56) **References Cited**

U.S. PATENT DOCUMENTS

D464,246 S *	10/2002	Sloan	D8/99
6,574,868 B1 *	6/2003	Overholt	B26B 5/00 30/329
D497,531 S *	10/2004	Carter, III	D8/99
D510,249 S *	10/2005	Ray	D8/99
D578,857 S *	10/2008	Yang-Fu	D8/99

D613,574 S *	4/2010	Pohl	D8/99
D639,632 S *	6/2011	Freeman	D8/99
D863,929 S *	10/2019	Chalfant	D8/99
D863,930 S *	10/2019	Chalfant	D8/99
D863,931 S *	10/2019	Chalfant	D8/99
D898,541 S *	10/2020	Chumchal	B26B 5/00 D8/99
D925,324 S *	7/2021	Hangartner	D8/99
D951,745 S *	5/2022	Dickman	B26B 1/08 D8/99
2017/0361473 A1 *	12/2017	Tkachenko	B26B 1/02
2022/0055233 A1 *	2/2022	Delplanche	B26B 1/08
2022/0305683 A1 *	9/2022	Karchon	B26B 11/00

* cited by examiner

Primary Examiner — Philip S Hyder

(74) *Attorney, Agent, or Firm* — Schwabe Williamson &
Wyatt, P.C.

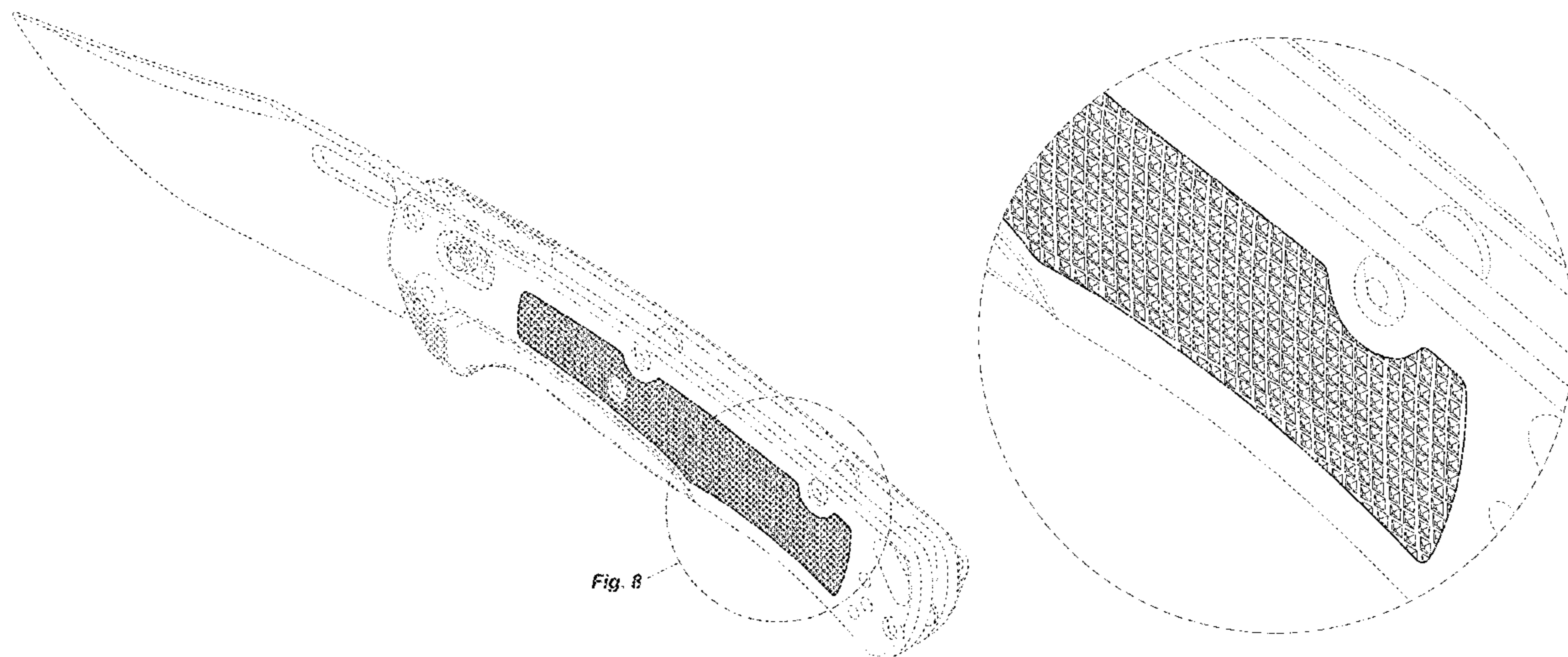
(57) **CLAIM**

We claim the ornamental design for a folding knife, as
shown and described.

DESCRIPTION

FIG. 1 is a perspective view of a folding knife, showing our
new design;
FIG. 2 is a right side view thereof;
FIG. 3 is a left side view thereof;
FIG. 4 is a top view thereof;
FIG. 5 is a bottom view thereof;
FIG. 6 is a front view thereof;
FIG. 7 is a rear view thereof; and,
FIG. 8 is an enlarged view of the claimed area of FIG. 1.
The broken lines depict portions of the folding knife in
which the design is embodied that form no part of the
claimed design.

1 Claim, 4 Drawing Sheets



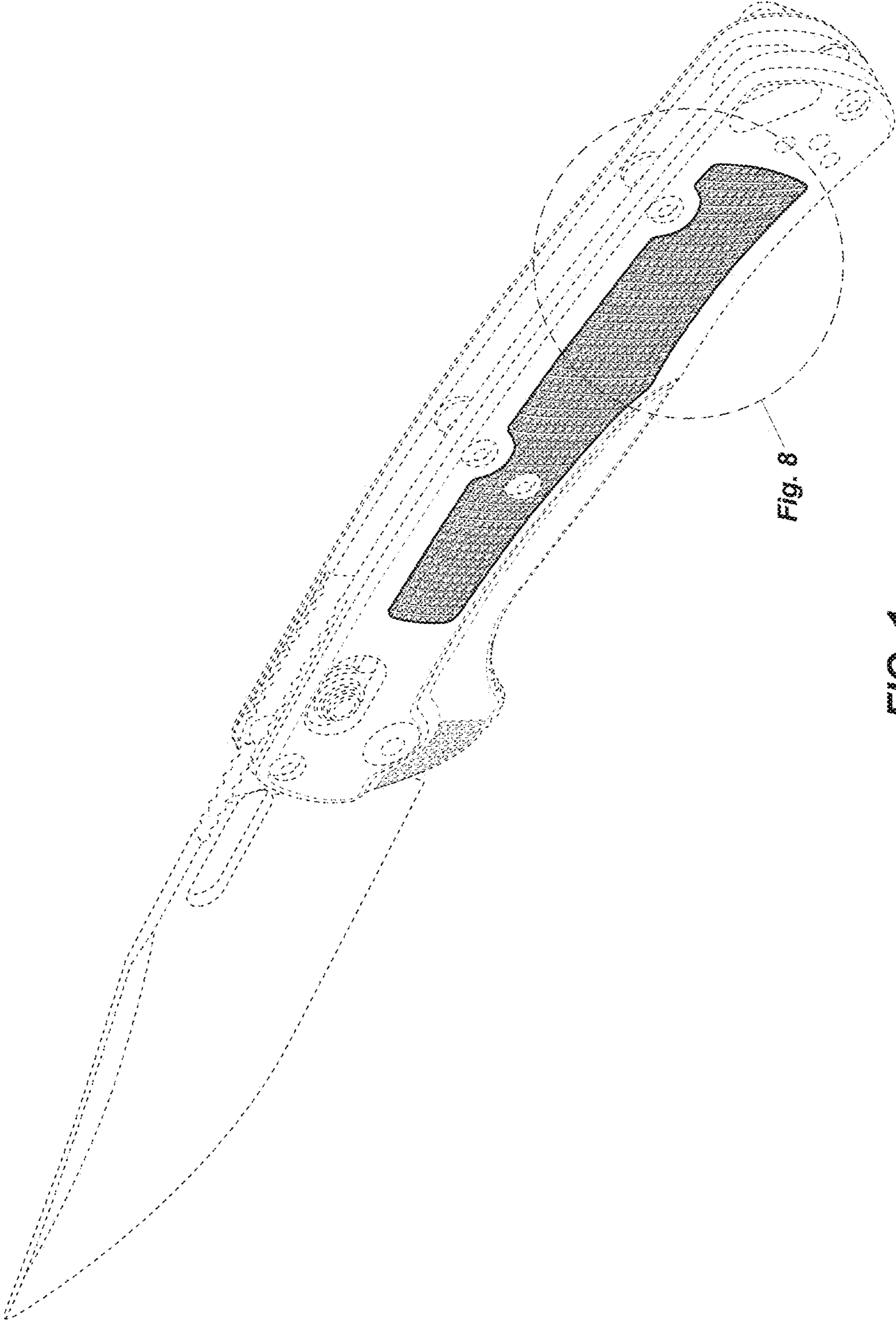


FIG. 1

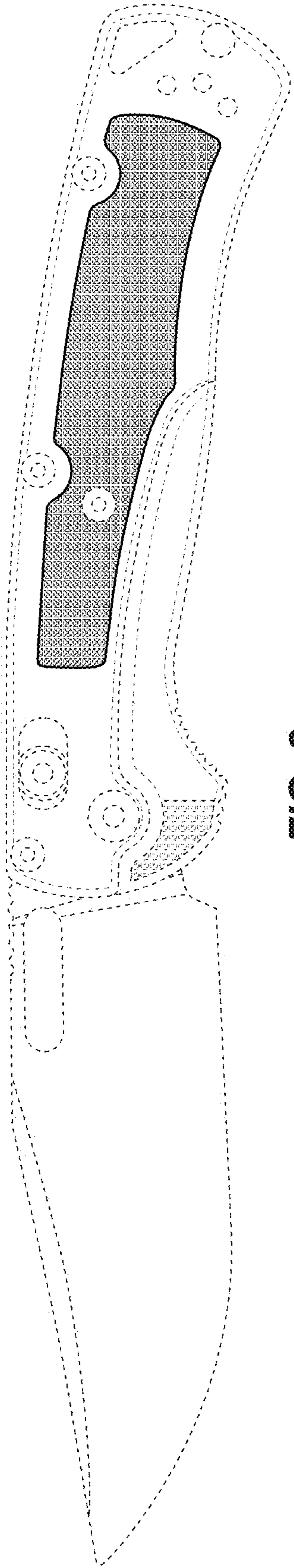


FIG. 2

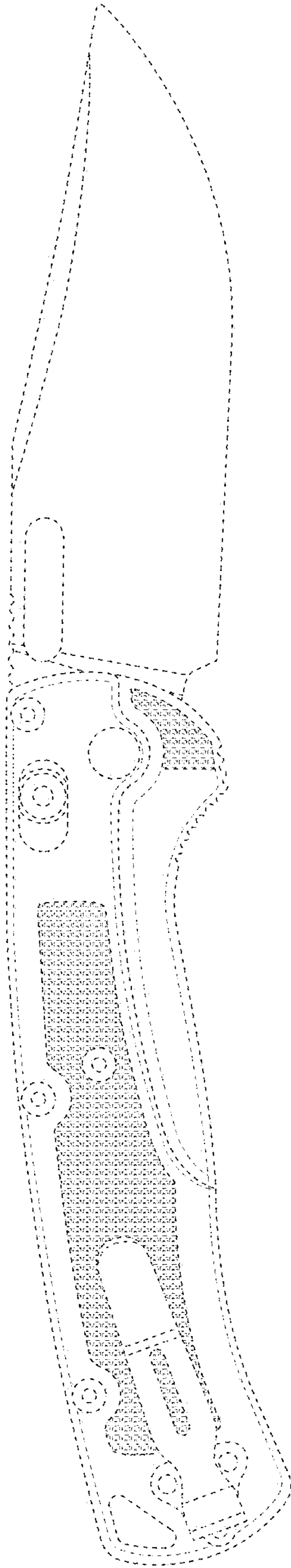


FIG. 3

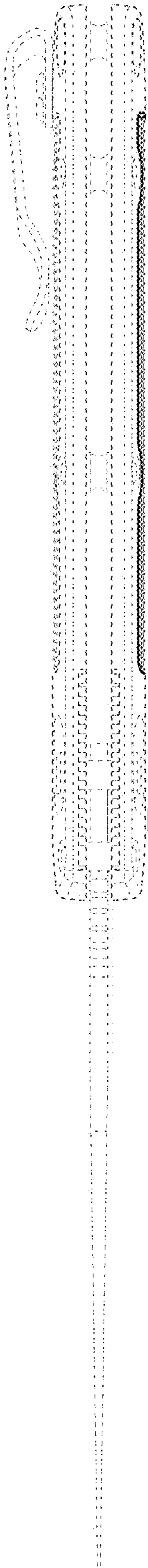


FIG. 4

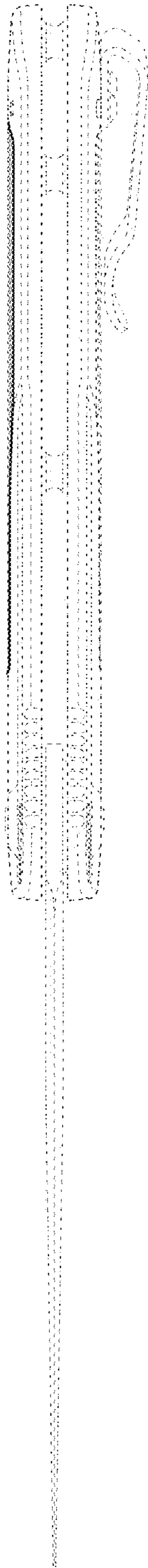


FIG. 5

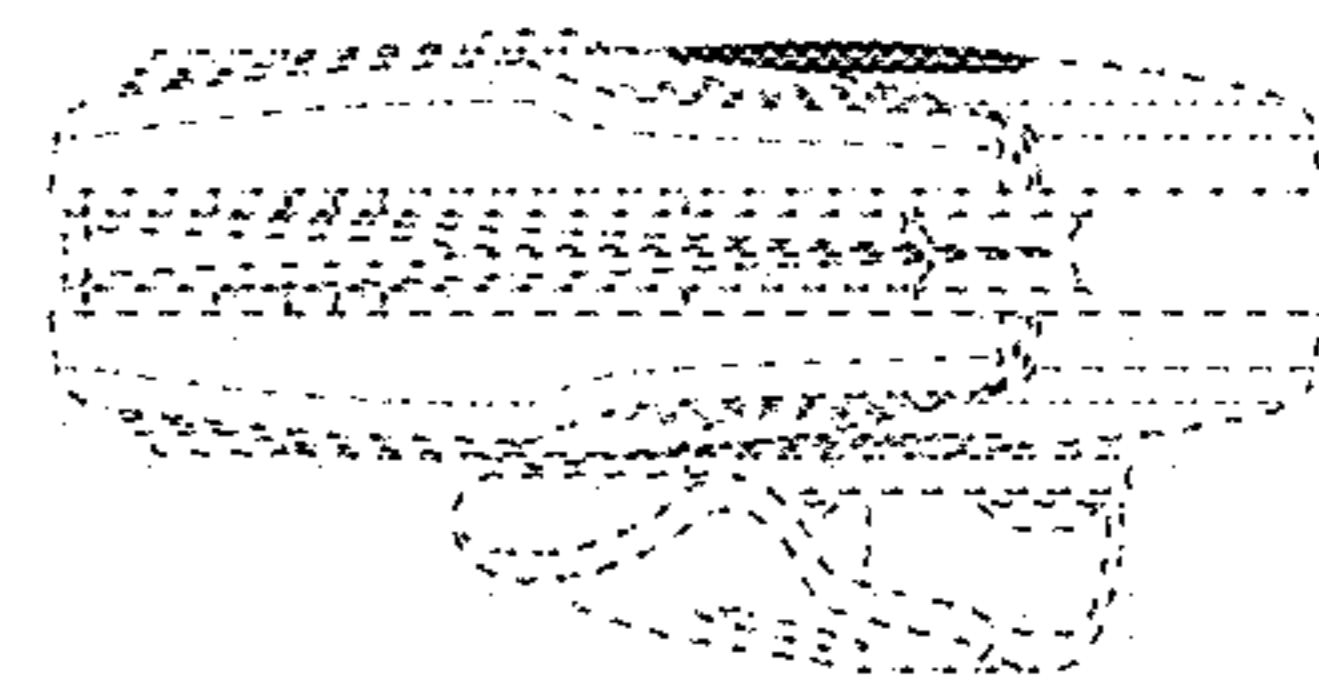


FIG. 6

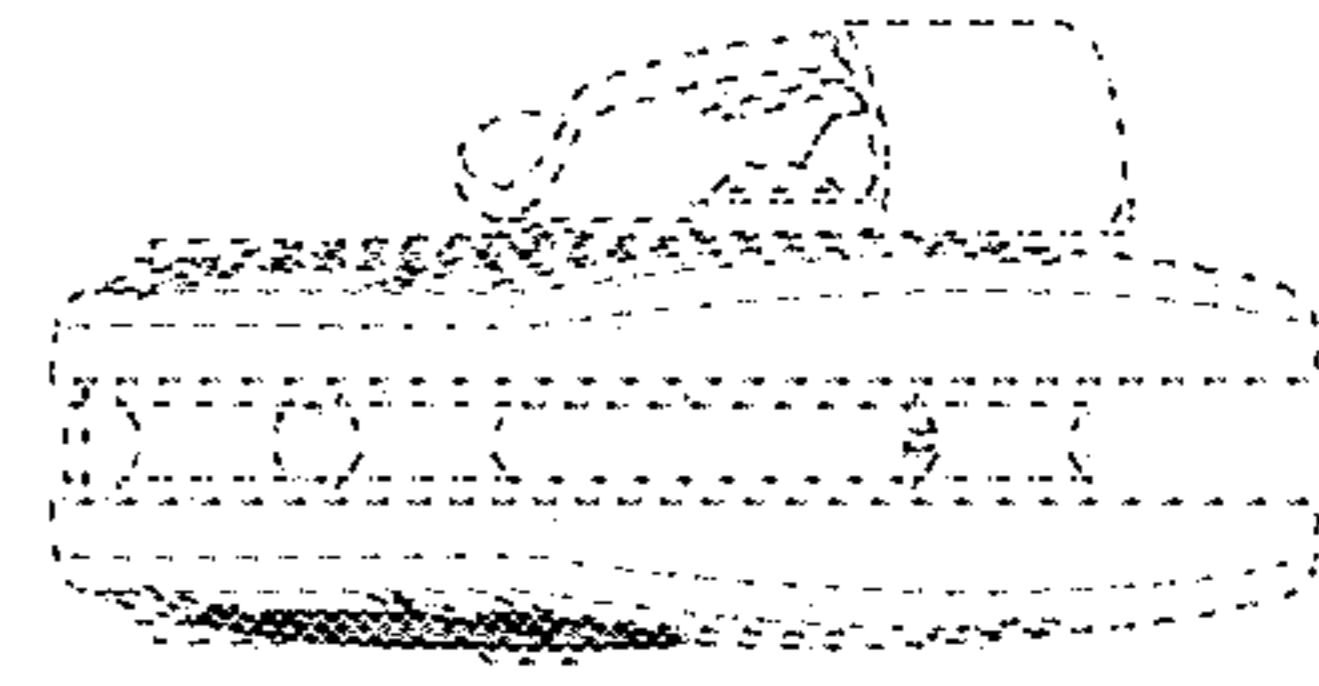


FIG. 7

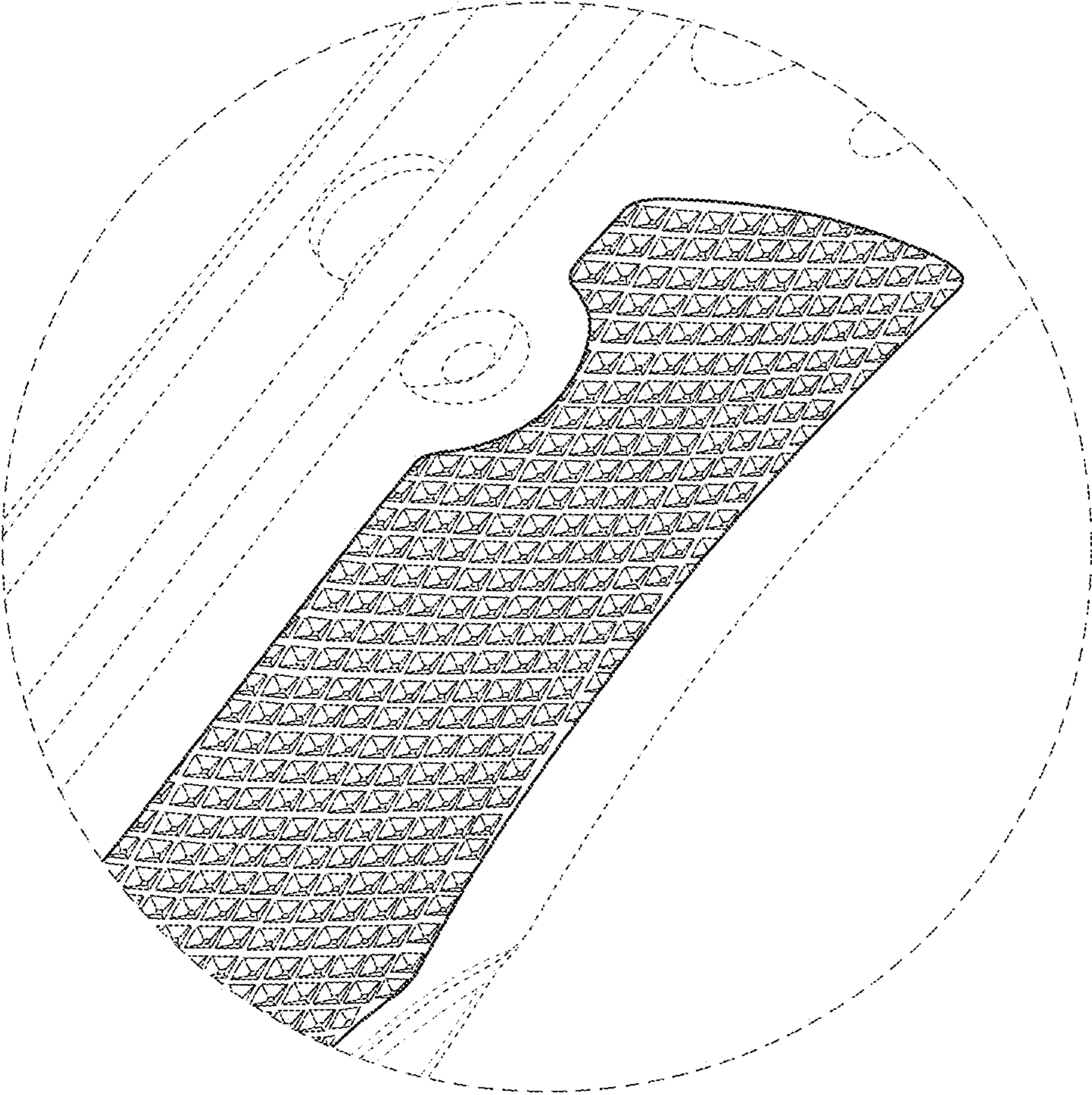


FIG. 8