



US00D988102S

(12) **United States Design Patent**  
**Krawczak**

(10) **Patent No.:** **US D988,102 S**  
(45) **Date of Patent:** **\*\* Jun. 6, 2023**

(54) **WINDOW OPENER TOOL**  
(71) Applicant: **Kimm Krawczak**, Venice, FL (US)  
(72) Inventor: **Kimm Krawczak**, Venice, FL (US)  
(\*\*) Term: **15 Years**  
(21) Appl. No.: **29/809,483**  
(22) Filed: **Sep. 28, 2021**  
(51) **LOC (14) Cl.** ..... **08-05**  
(52) **U.S. Cl.**  
USPC ..... **D8/88; D8/14**  
(58) **Field of Classification Search**  
USPC ..... D8/14, 51, 88, 89  
CPC ..... B25C 11/00; B25F 1/006; B66F 15/00;  
E04G 23/00  
See application file for complete search history.

6,663,083 B1 \* 12/2003 Smith ..... B66F 15/00  
254/131  
7,389,971 B2 \* 6/2008 Gaudreault ..... B60P 7/0853  
410/112  
D602,671 S \* 10/2009 McMorris ..... B60P 7/0853  
D34/28  
7,624,966 B2 \* 12/2009 Dando ..... E05B 1/0053  
254/131  
D644,084 S \* 8/2011 Canavan ..... B66F 15/00  
D8/88  
D950,345 S \* 5/2022 Slafkovsky ..... B66F 15/00  
D8/88  
2002/0017638 A1 \* 2/2002 Suiter ..... B66F 15/00  
254/116  
2011/0113566 A1 \* 5/2011 Holbrook ..... B66F 15/00  
7/166  
2012/0223278 A1 \* 9/2012 Kagan ..... B66F 15/00  
254/130

\* cited by examiner

*Primary Examiner* — Philip S Hyder  
(74) *Attorney, Agent, or Firm* — Adam B. Portnow

(56) **References Cited**

**U.S. PATENT DOCUMENTS**

1,855,537 A \* 4/1932 Zachary ..... B66F 15/00  
254/131  
2,010,680 A \* 8/1935 Leuven ..... E05F 11/38  
254/131  
2,568,012 A \* 9/1951 Le Boeuf ..... E04G 23/00  
15/236.08  
2,670,923 A \* 3/1954 Chiles ..... E04G 23/00  
254/129  
2,738,953 A \* 3/1956 Feitig ..... E04G 23/00  
254/131  
2,766,008 A \* 10/1956 Hurd ..... E04G 23/00  
254/129  
4,830,338 A \* 5/1989 Hannigan ..... E04G 23/00  
254/130  
D340,852 S \* 11/1993 Sanders ..... B66F 15/00  
D8/88  
6,170,803 B1 \* 1/2001 Liberfarb ..... B66F 15/00  
254/129

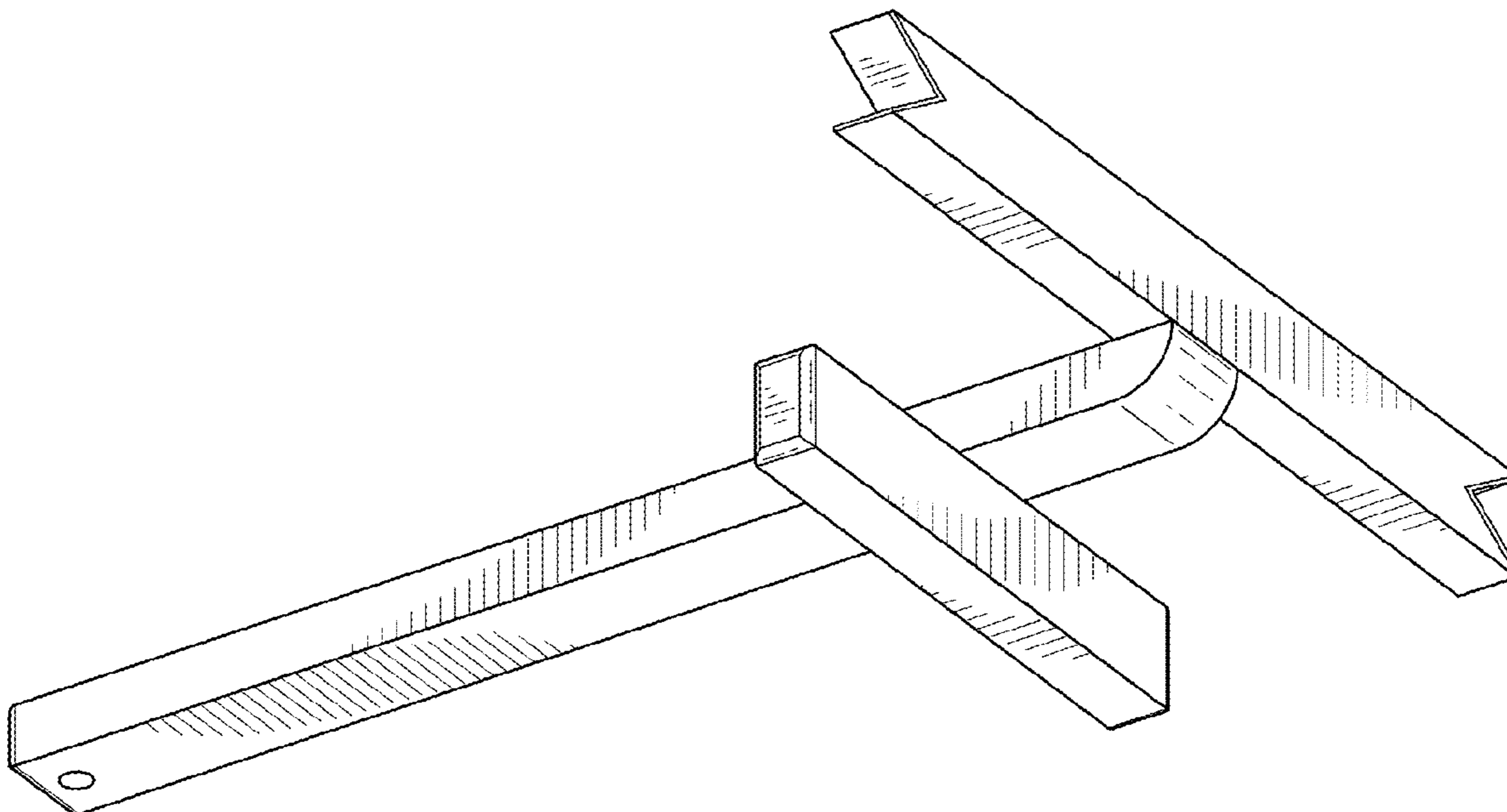
(57) **CLAIM**

The ornamental design for a window opener tool, as shown and described.

**DESCRIPTION**

FIG. 1 is a perspective view from above of a tool to open windows showing the unique design.  
FIG. 2. is a perspective view from below a tool to open windows showing the unique design.  
FIG. 3. is a top plan view thereof;  
FIG. 4. is a bottom plan view thereof;  
FIG. 5 is a side plan view thereof;  
FIG. 6 is a back view thereof; and,  
FIG. 7 is a front view thereof.

**1 Claim, 3 Drawing Sheets**



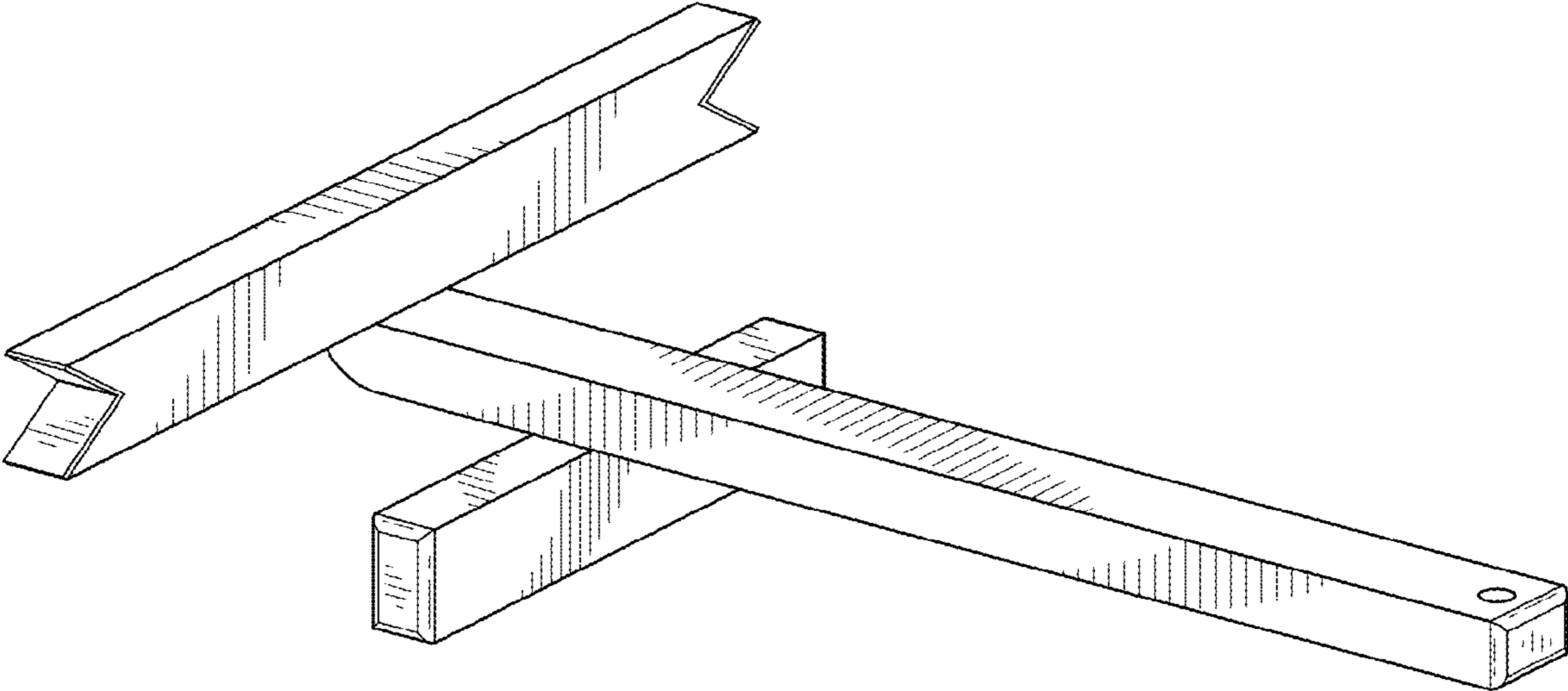


FIG. 1

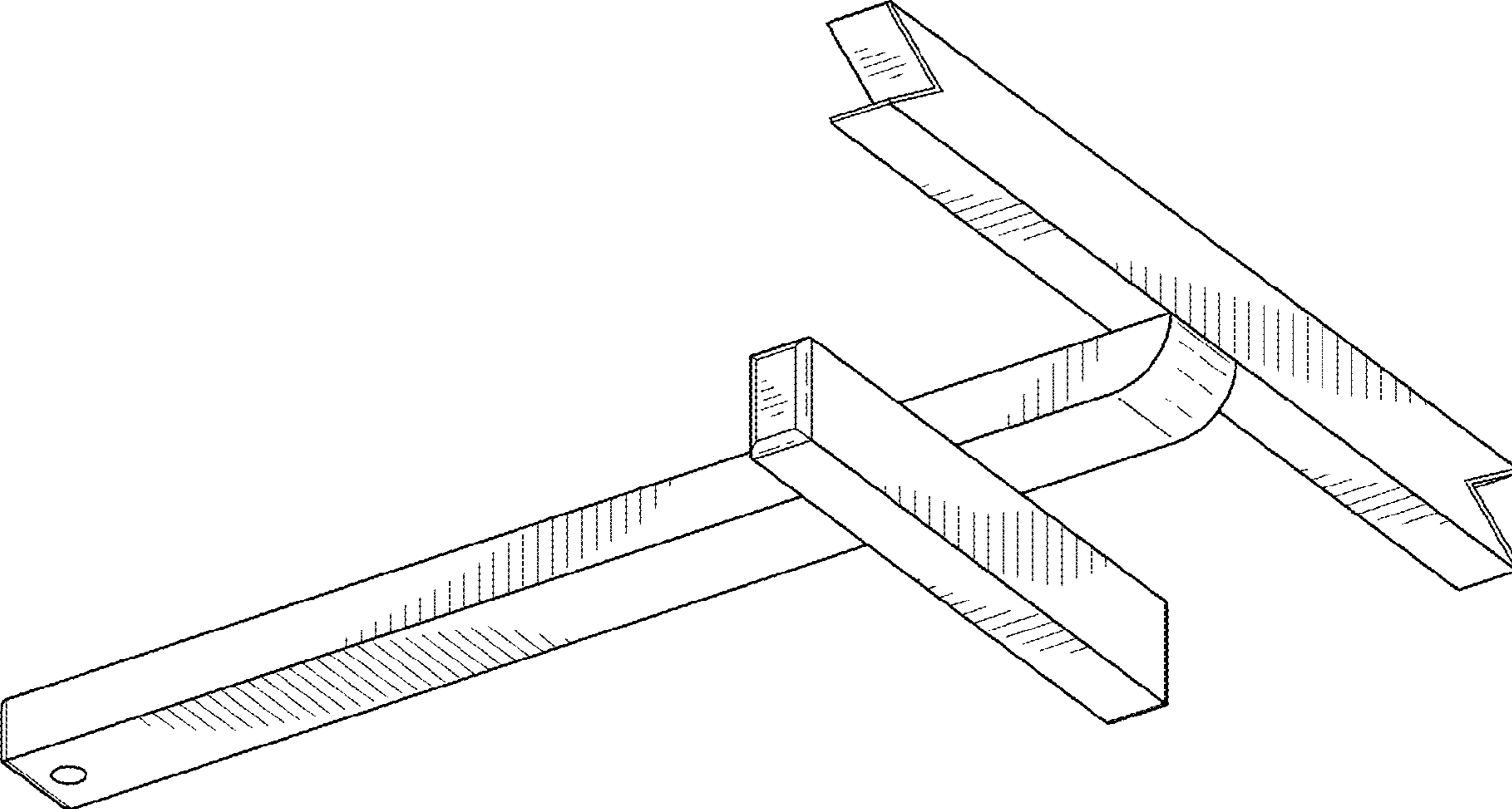


FIG. 2

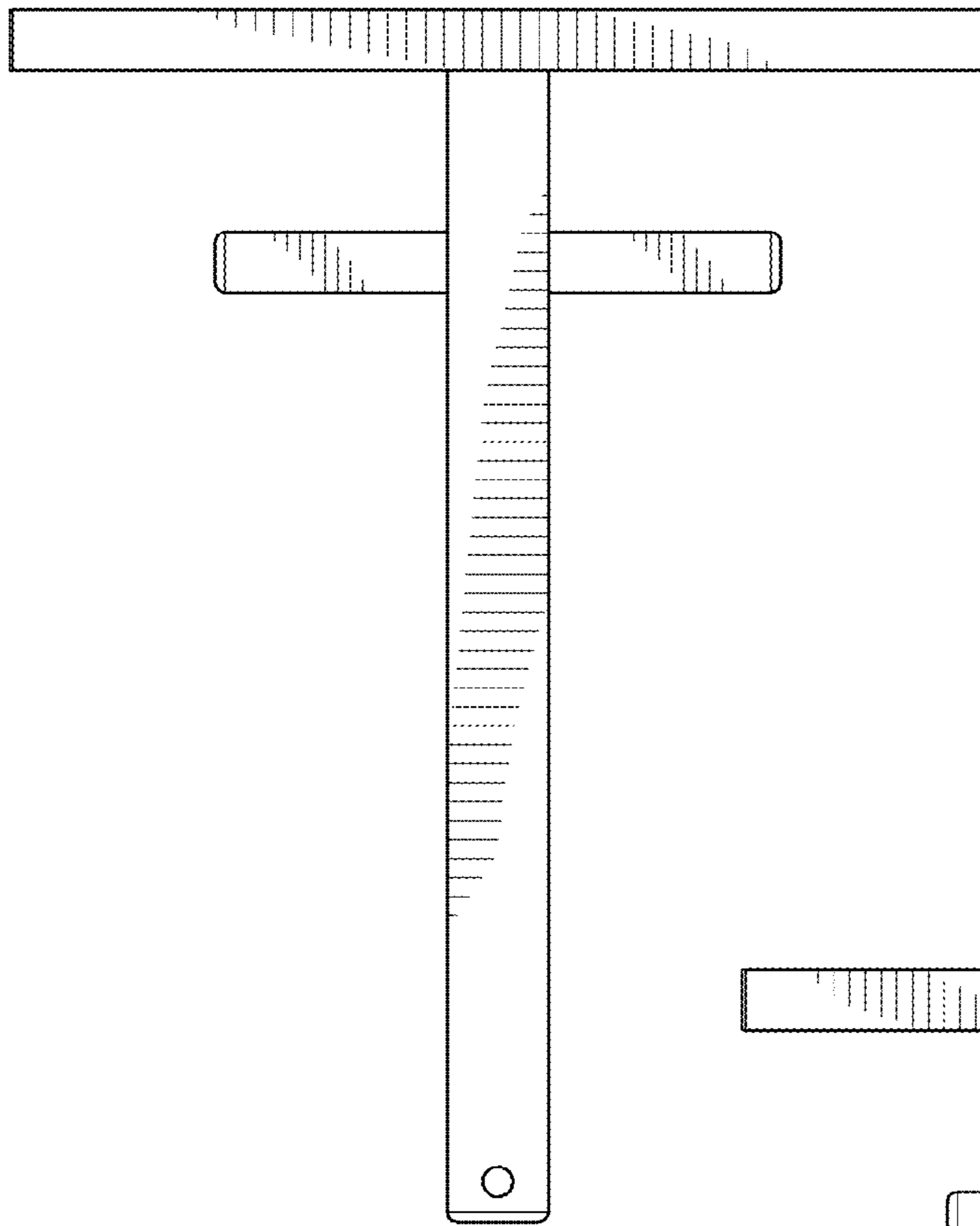


FIG. 3

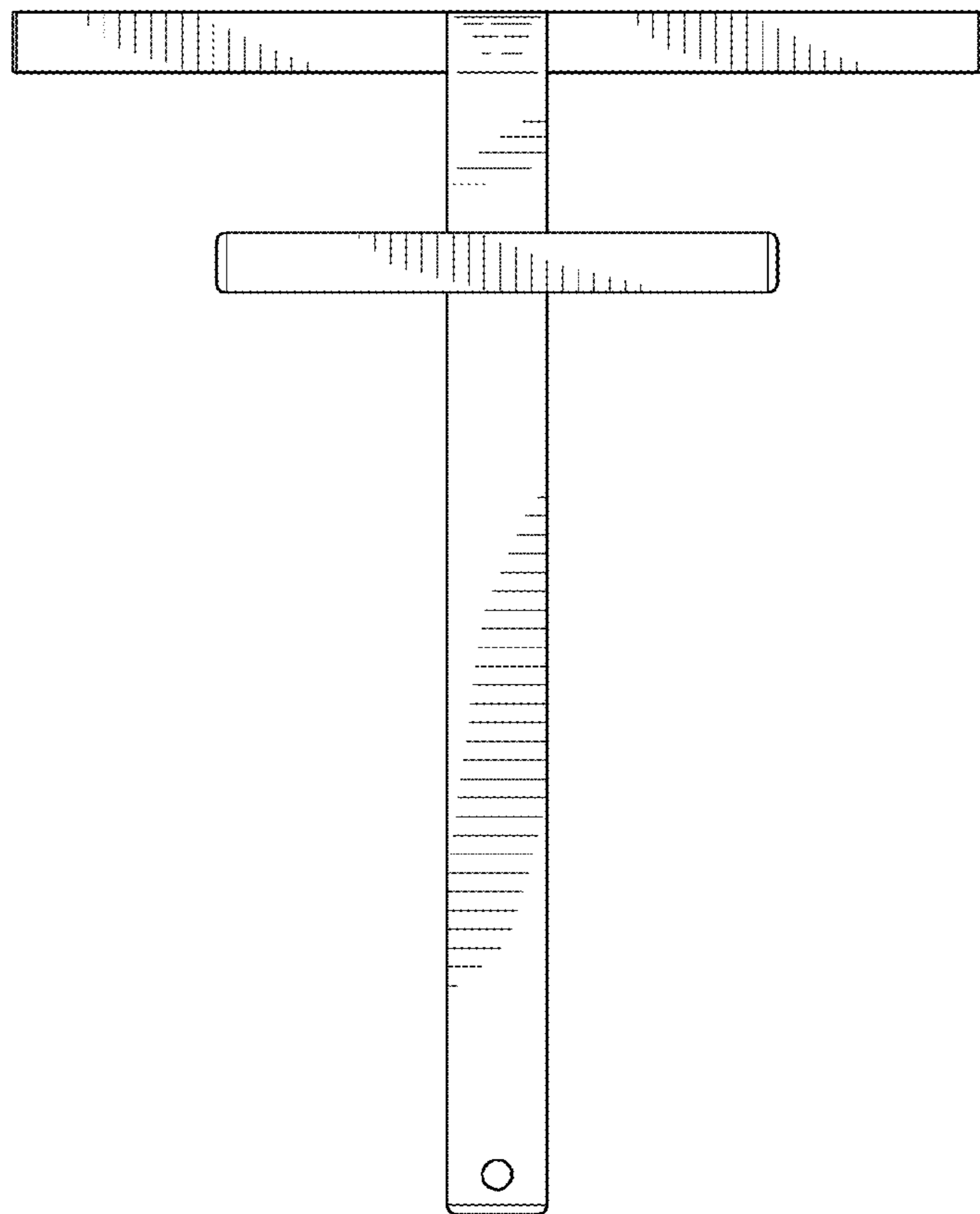


FIG. 4

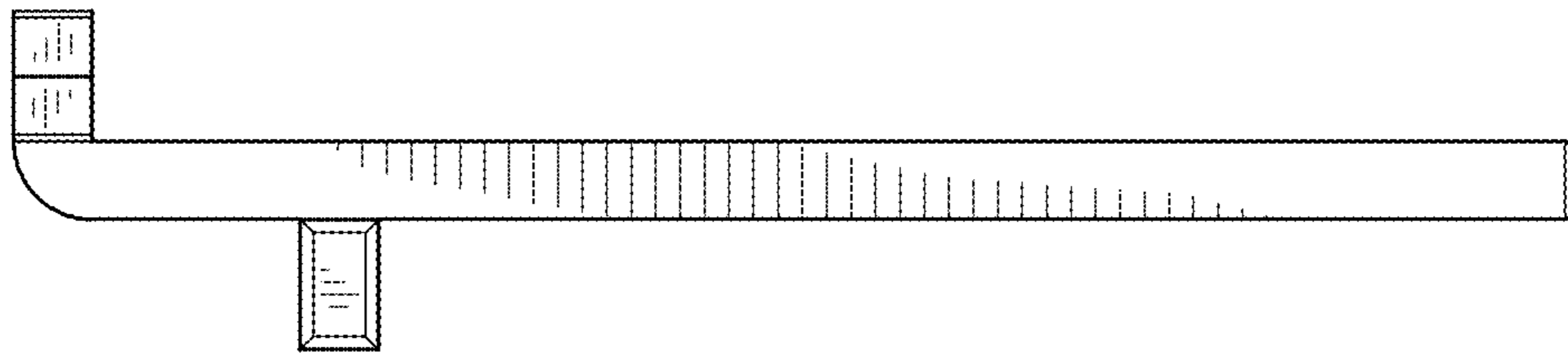


FIG. 5

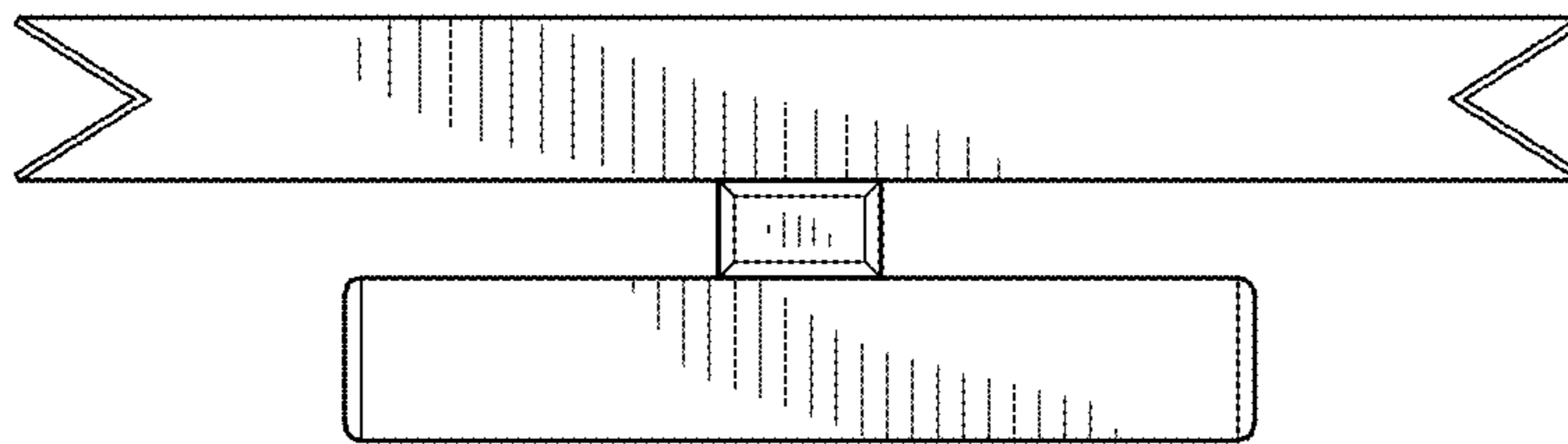


FIG. 6

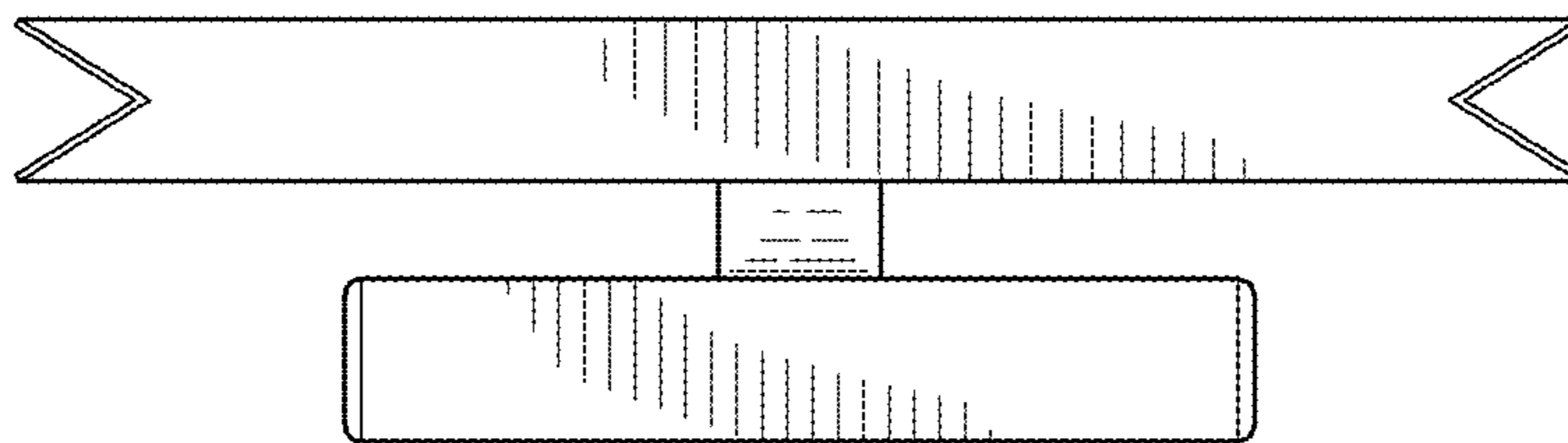


FIG. 7