



US00D988101S

(12) **United States Design Patent**  
**Dong**

(10) **Patent No.:** **US D988,101 S**  
(45) **Date of Patent:** **\*\* Jun. 6, 2023**

(54) **HANDHELD LAWN MOWER**  
(71) Applicant: **Huajie Dong**, Xiangcheng (CN)  
(72) Inventor: **Huajie Dong**, Xiangcheng (CN)  
(\*\*) Term: **15 Years**

(21) Appl. No.: **29/797,537**

(22) Filed: **Jul. 1, 2021**

(51) **LOC (14) Cl.** ..... **08-03**

(52) **U.S. Cl.**  
USPC ..... **D8/8**

(58) **Field of Classification Search**  
USPC ..... D8/8; D15/14  
CPC .... A01D 34/412; A01D 34/416; A01D 34/01;  
A01D 34/015; A01D 34/4161; A01D  
34/4165; A01D 34/4166; A01D 34/4167;  
A01D 34/84; A01G 3/053; A01G 3/0535  
See application file for complete search history.

(56) **References Cited**

**U.S. PATENT DOCUMENTS**

D343,554 S \* 1/1994 Watanabe ..... D8/8  
5,640,836 A \* 6/1997 Lingerfelt ..... A01D 34/736  
56/255  
5,644,844 A \* 7/1997 Pink ..... A01D 34/90  
30/276  
6,116,349 A \* 9/2000 Wilson ..... A01D 34/90  
172/14  
D460,973 S 7/2002 Jong  
6,439,088 B1 \* 8/2002 Eytchison ..... A01D 34/902  
172/14  
D625,972 S \* 10/2010 Sweeney ..... D8/8  
7,878,097 B2 \* 2/2011 Strader ..... A01D 34/90  
83/13  
7,913,401 B2 \* 3/2011 Iacona ..... A01D 42/005  
30/276  
D656,371 S \* 3/2012 Sweeney ..... D8/8

D675,074 S \* 1/2013 Baxter ..... D8/8  
8,640,588 B2 \* 2/2014 Strader ..... A01D 34/736  
83/698.41  
D714,109 S \* 9/2014 Tate ..... D8/8  
(Continued)

**FOREIGN PATENT DOCUMENTS**

CN 301306785 \* 8/2010  
CN 302276221 \* 1/2013  
(Continued)

*Primary Examiner* — Sandra Snapp  
*Assistant Examiner* — Ieisha N Price

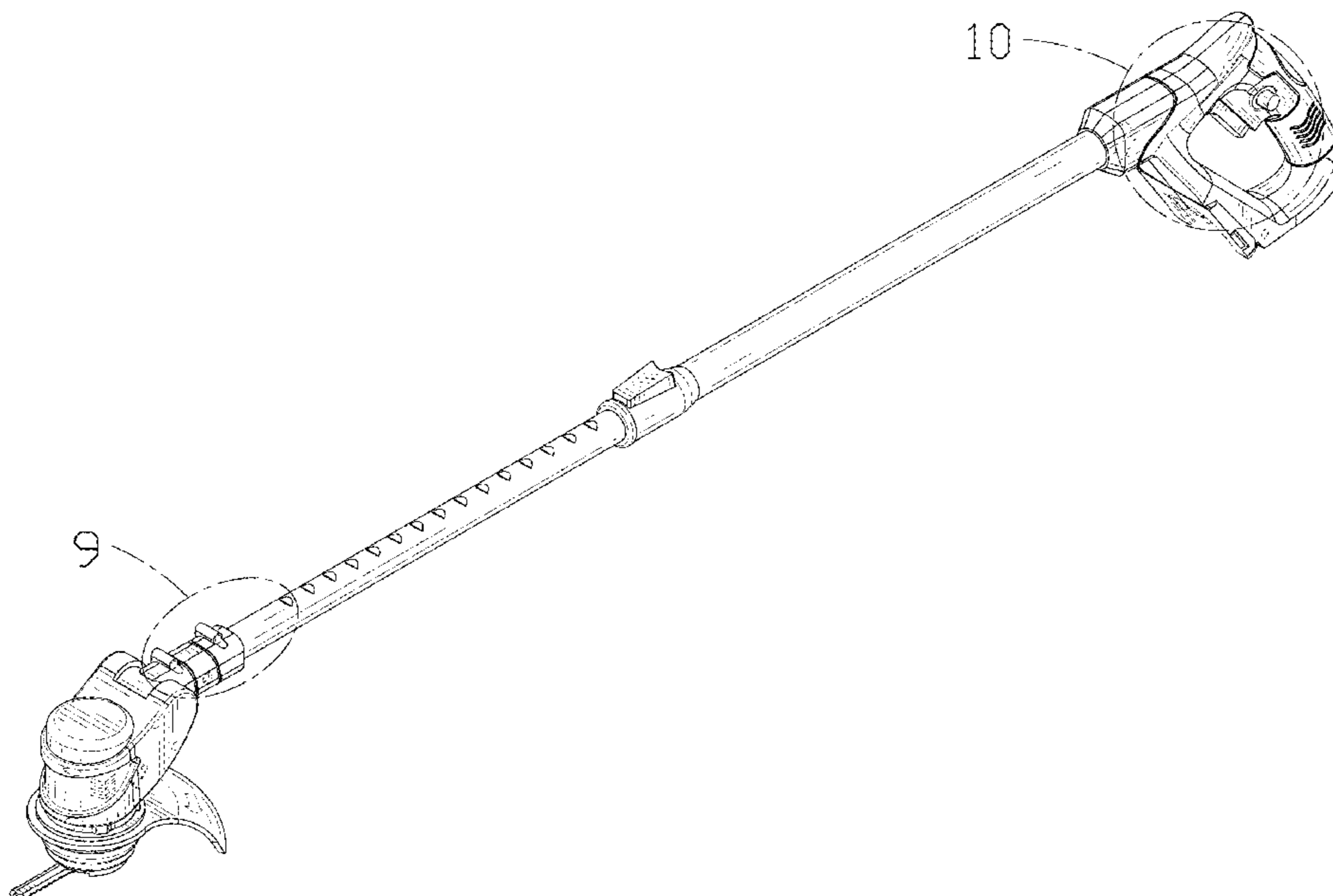
(57) **CLAIM**

The ornamental design for a handheld lawn mower, as shown and described.

**DESCRIPTION**

FIG. 1 is a top, front, left side perspective view of a handheld lawn mower showing my new design;  
FIG. 2 is a bottom, rear, right side perspective view thereof;  
FIG. 3 is a front elevational view thereof;  
FIG. 4 is a rear elevational view thereof;  
FIG. 5 is a left side elevational view thereof;  
FIG. 6 is a right side elevational view thereof;  
FIG. 7 is a top plan view thereof;  
FIG. 8 is a bottom plan view thereof;  
FIG. 9 is an enlarged view of portion 9 shown in FIG. 1;  
FIG. 10 is an enlarged view of portion 10 shown in FIG. 1;  
FIG. 11 is an enlarged view of portion 11 shown in FIG. 2;  
and,  
FIG. 12 is an enlarged view of portion 12 shown in FIG. 2.  
The dash-dash broken lines in the drawings depict portions of the handheld lawn mower that form no part of the claimed design. The dot-dash-dot broken lines in FIGS. 1-2 and 9-12 render indication circles and form no part of the claimed design.

**1 Claim, 12 Drawing Sheets**



(56)

References Cited

U.S. PATENT DOCUMENTS

D716,620 S \* 11/2014 Baxter ..... D8/8  
 D716,621 S \* 11/2014 Tate ..... D8/8  
 D717,137 S \* 11/2014 Baxter ..... D8/8  
 D731,267 S \* 6/2015 Shen ..... D8/8  
 D867,833 S \* 11/2019 Chen ..... D8/8  
 D874,892 S \* 2/2020 Miao ..... D8/8  
 D907,666 S 1/2021 Dai et al.  
 2003/0131481 A1\* 7/2003 Sullivan ..... A01D 34/416  
 30/276  
 2013/0031788 A1\* 2/2013 Ohno ..... A01D 34/4167  
 30/276  
 2013/0186051 A1\* 7/2013 Ran ..... A01D 34/84  
 56/16.9  
 2014/0115903 A1\* 5/2014 Proudlock ..... A01D 34/90  
 30/276  
 2014/0115904 A1\* 5/2014 Wadge ..... A01D 34/416  
 30/276  
 2014/0190017 A1\* 7/2014 Maynez ..... A01D 34/416  
 173/217  
 2014/0325851 A1\* 11/2014 Bone ..... A01D 34/4162  
 30/276

2015/0334917 A1\* 11/2015 Durden ..... A01D 34/84  
 16/24  
 2017/0231153 A1\* 8/2017 Hoffman ..... A01D 34/416  
 30/276  
 2018/0279547 A1\* 10/2018 Sergyeyenko ..... A01D 34/4166  
 2019/0269069 A1\* 9/2019 Boyles ..... F16B 7/0406  
 2019/0269070 A1\* 9/2019 Zha ..... A01D 34/4162  
 2020/0236847 A1\* 7/2020 Nolin ..... A01D 34/416  
 2020/0406443 A1\* 12/2020 Hoffman ..... B25F 5/02  
 2021/0127570 A1\* 5/2021 Palermo ..... A01D 34/78  
 2021/0137004 A1\* 5/2021 Nie ..... A01D 34/416

FOREIGN PATENT DOCUMENTS

CN 302751828 \* 3/2014  
 CN 302958543 \* 10/2014  
 CN 304628136 \* 5/2018  
 EM 000665633-0001 \* 3/2007  
 EM 002154385-0004 \* 1/2013  
 EM 003831338-0001 \* 3/2019  
 GB 2028264 \* 4/1993  
 SE 76756-0005 \* 11/2003

\* cited by examiner

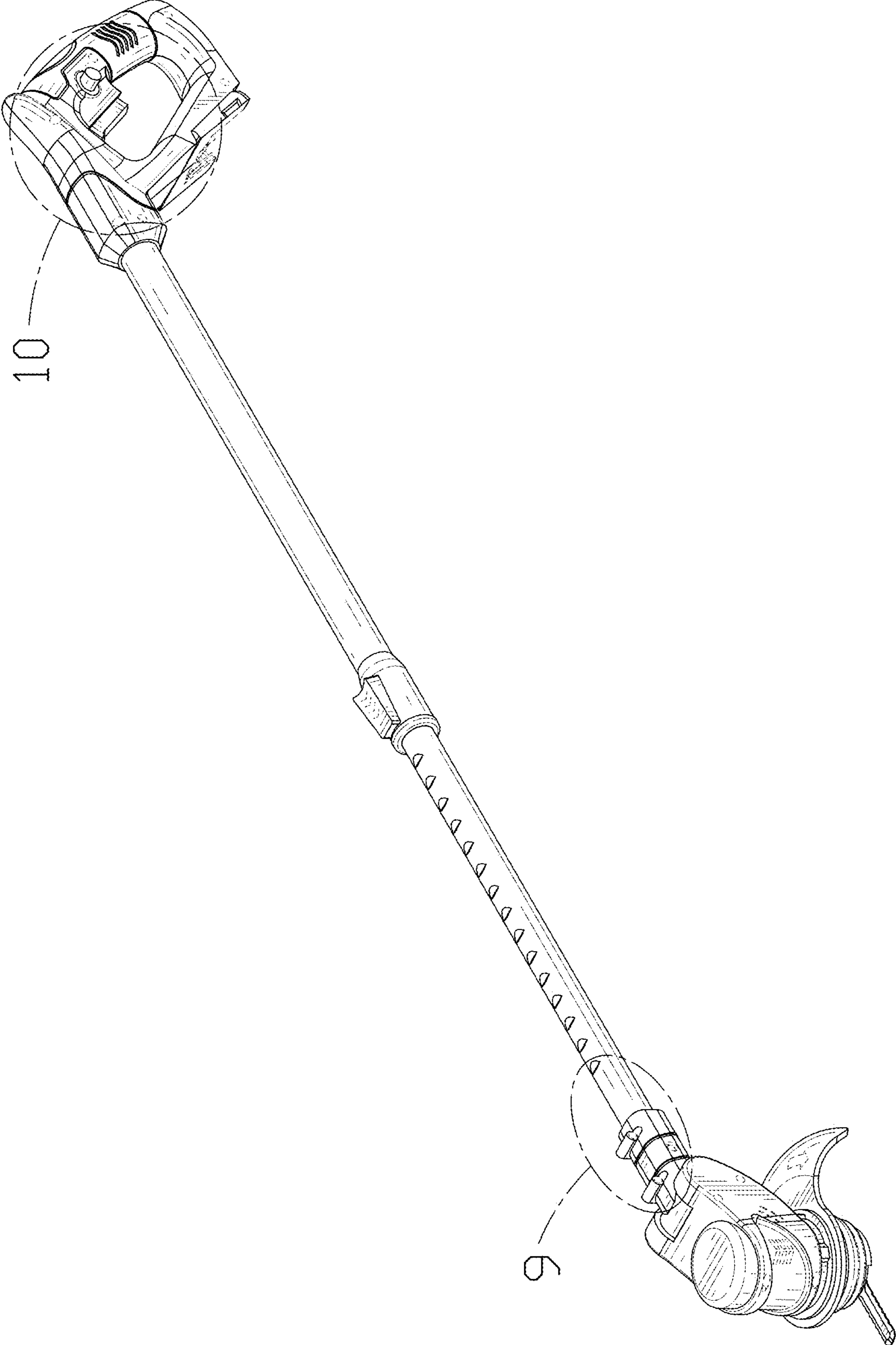


FIG. 1

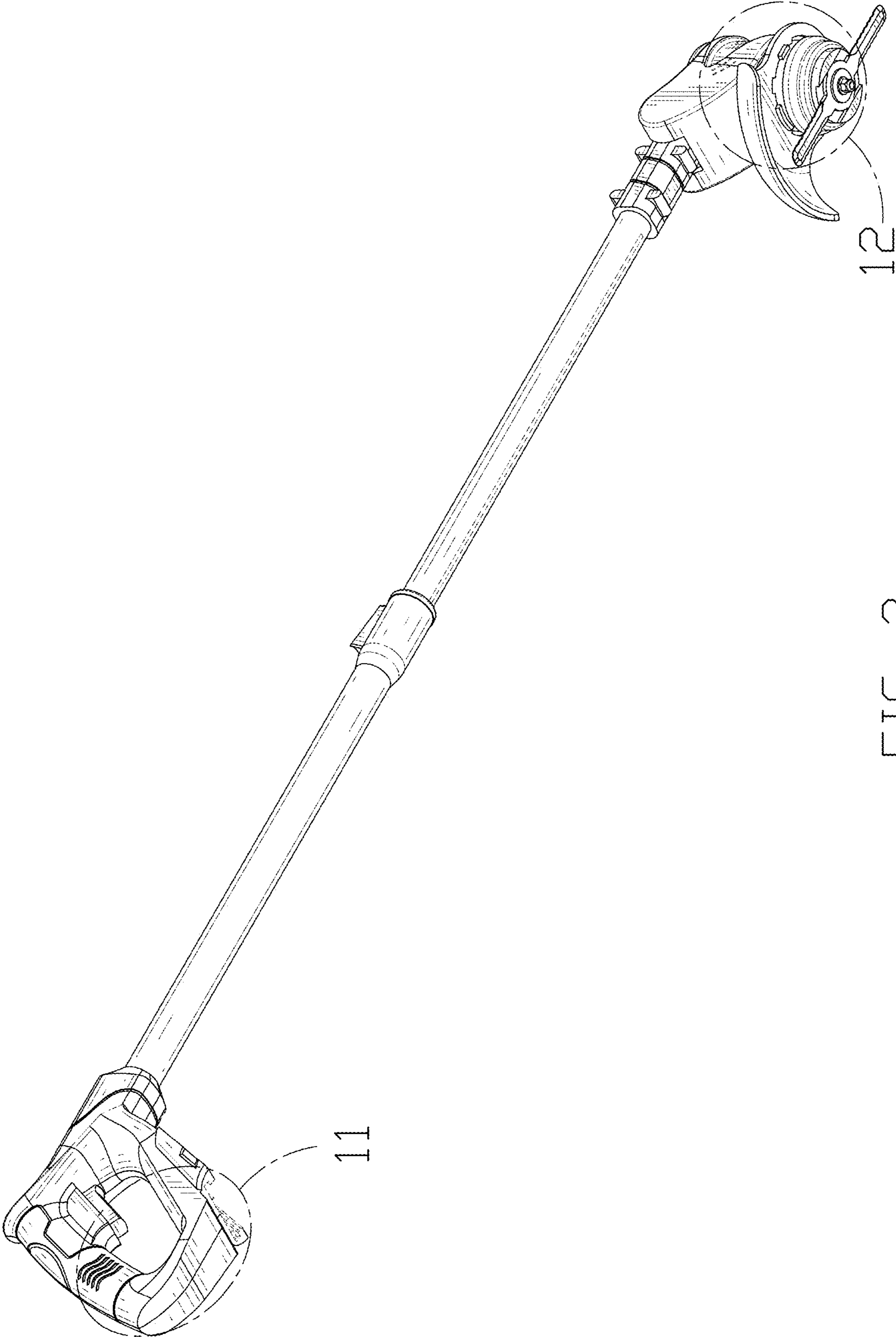


FIG. 2

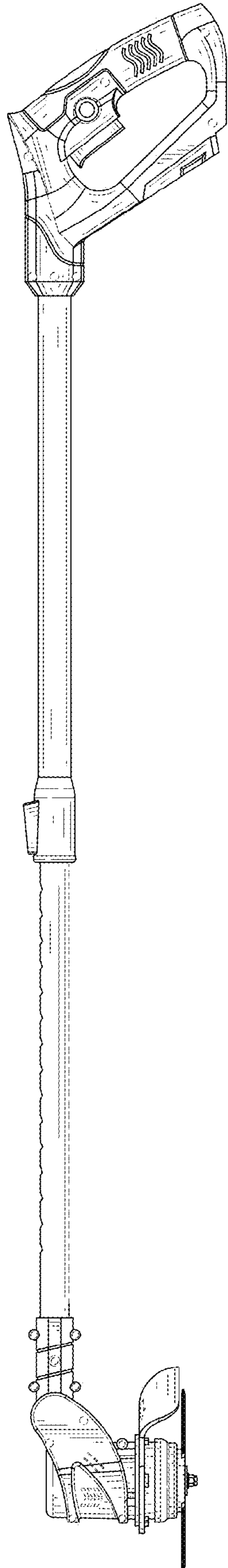


FIG. 3

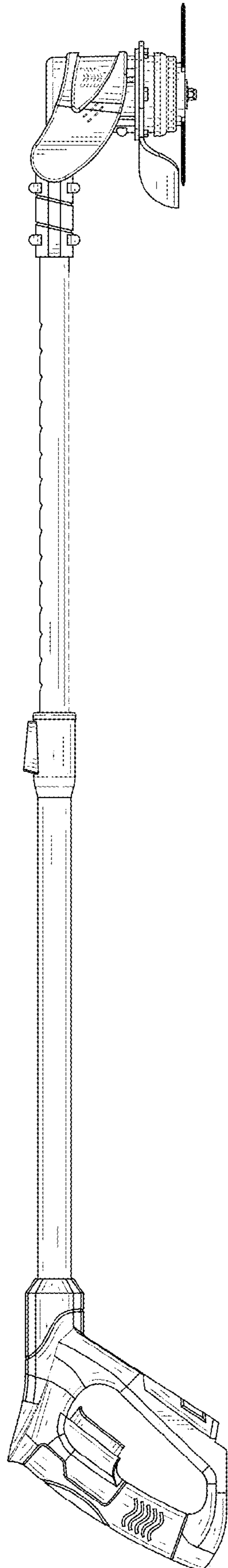


FIG. 4

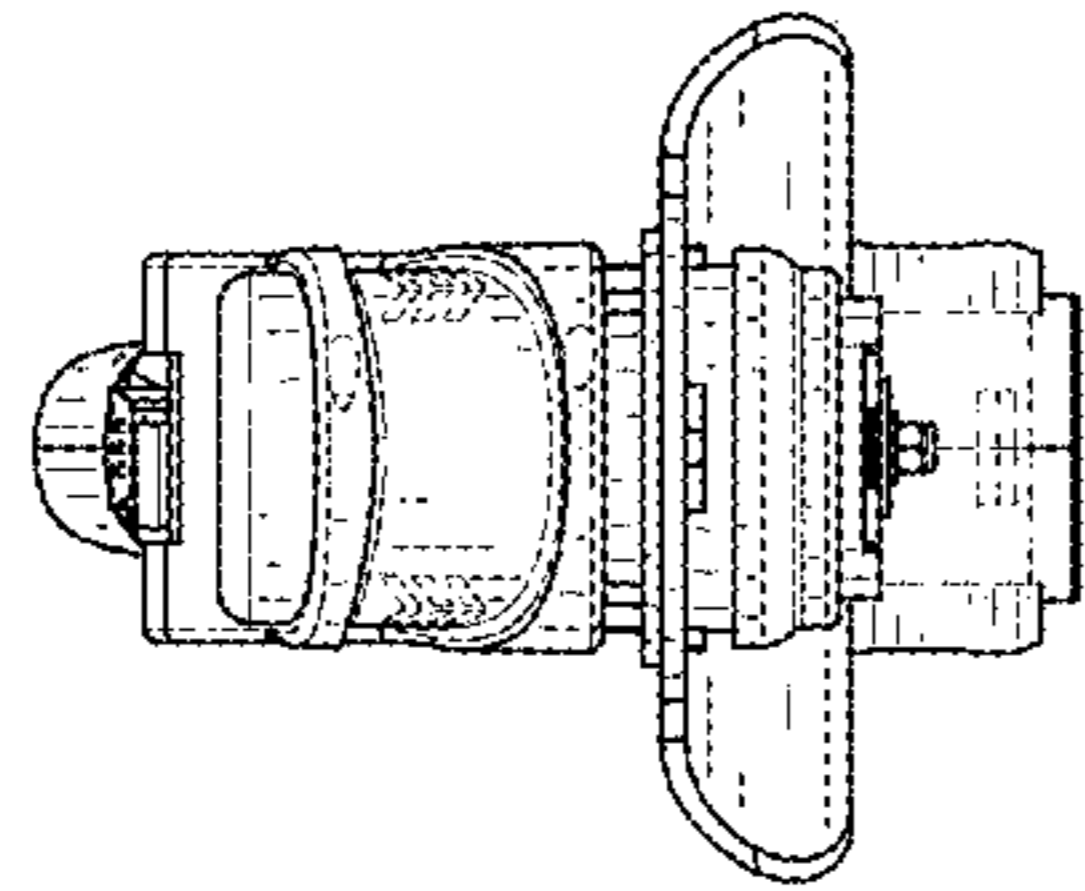


FIG. 5

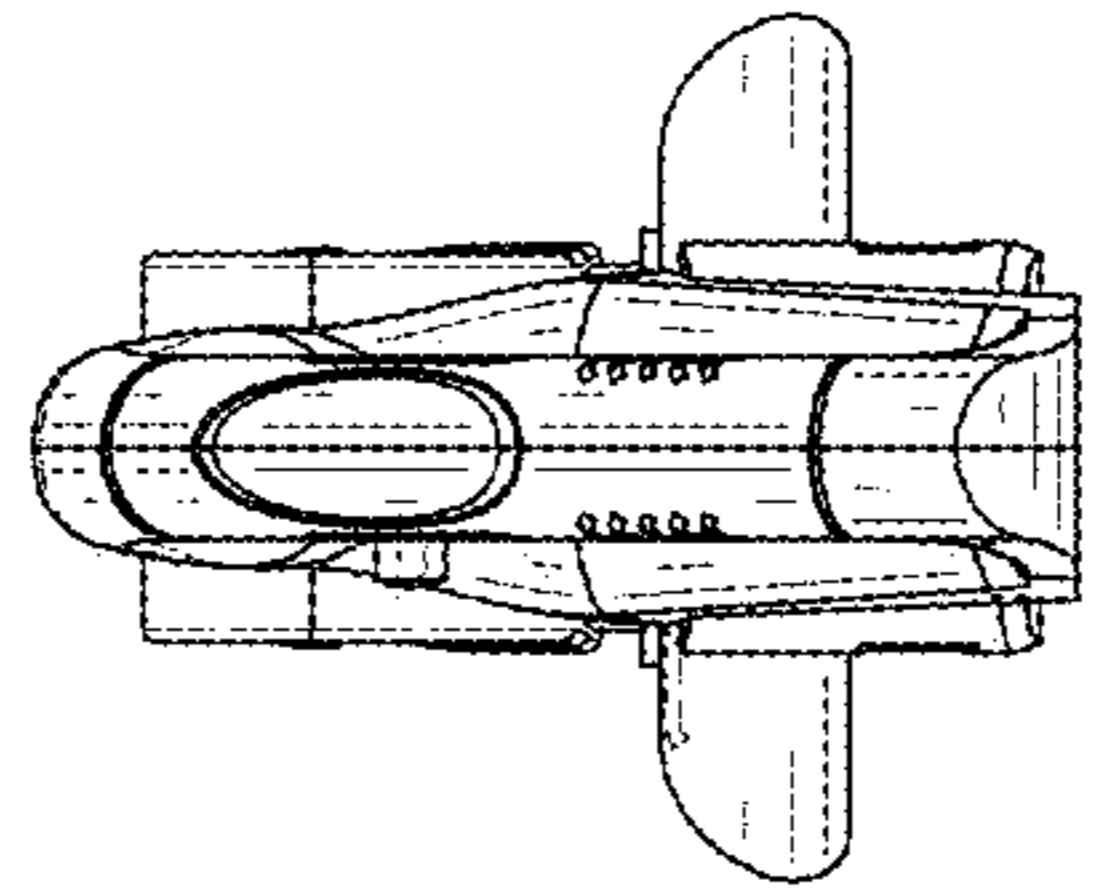


FIG. 6



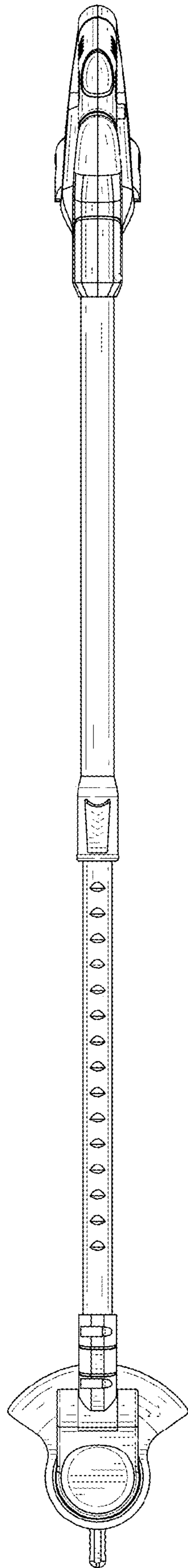


FIG. 7

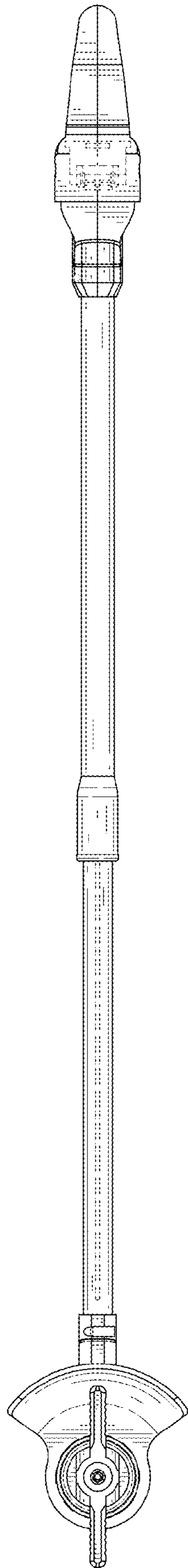


FIG. 8

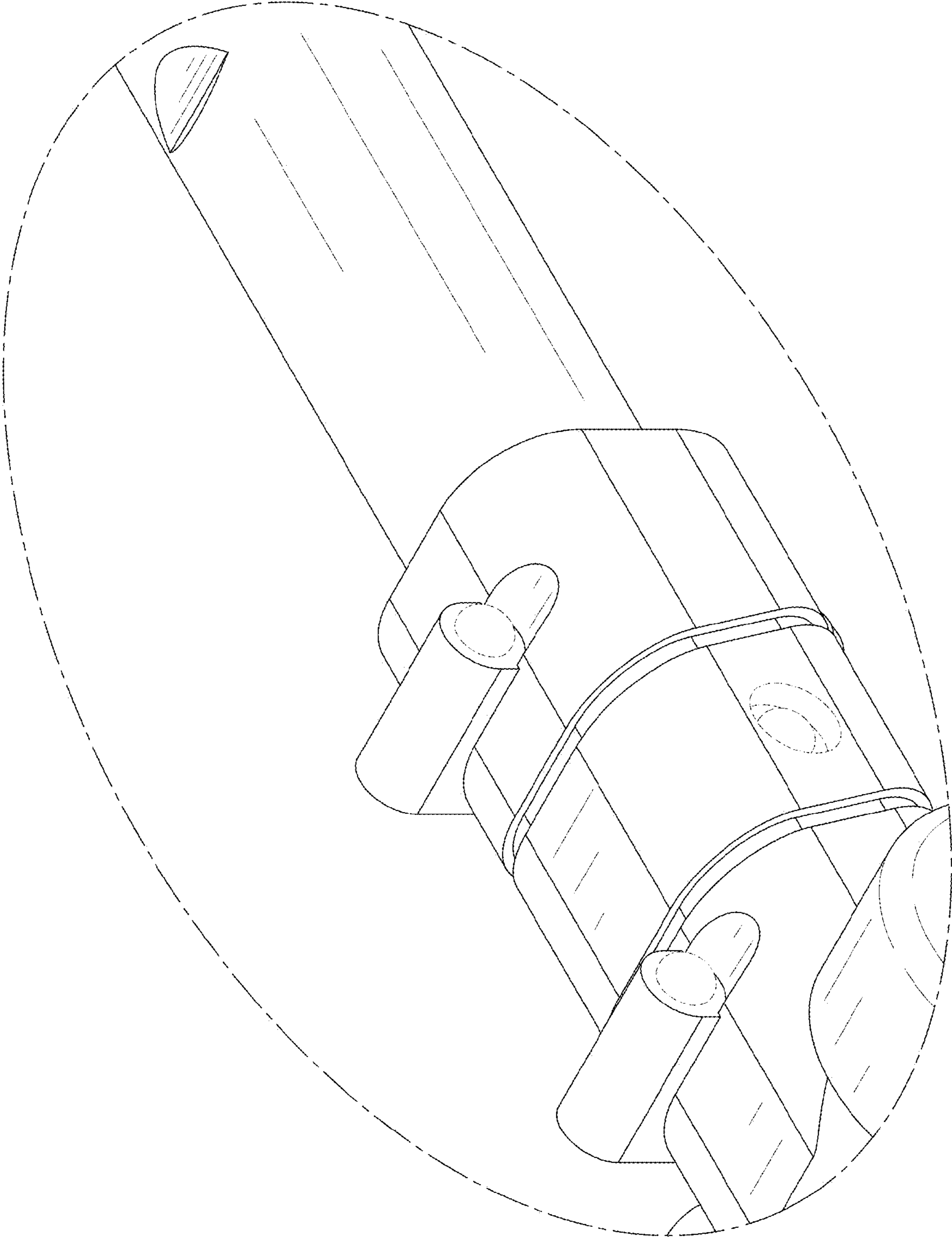


FIG. 9

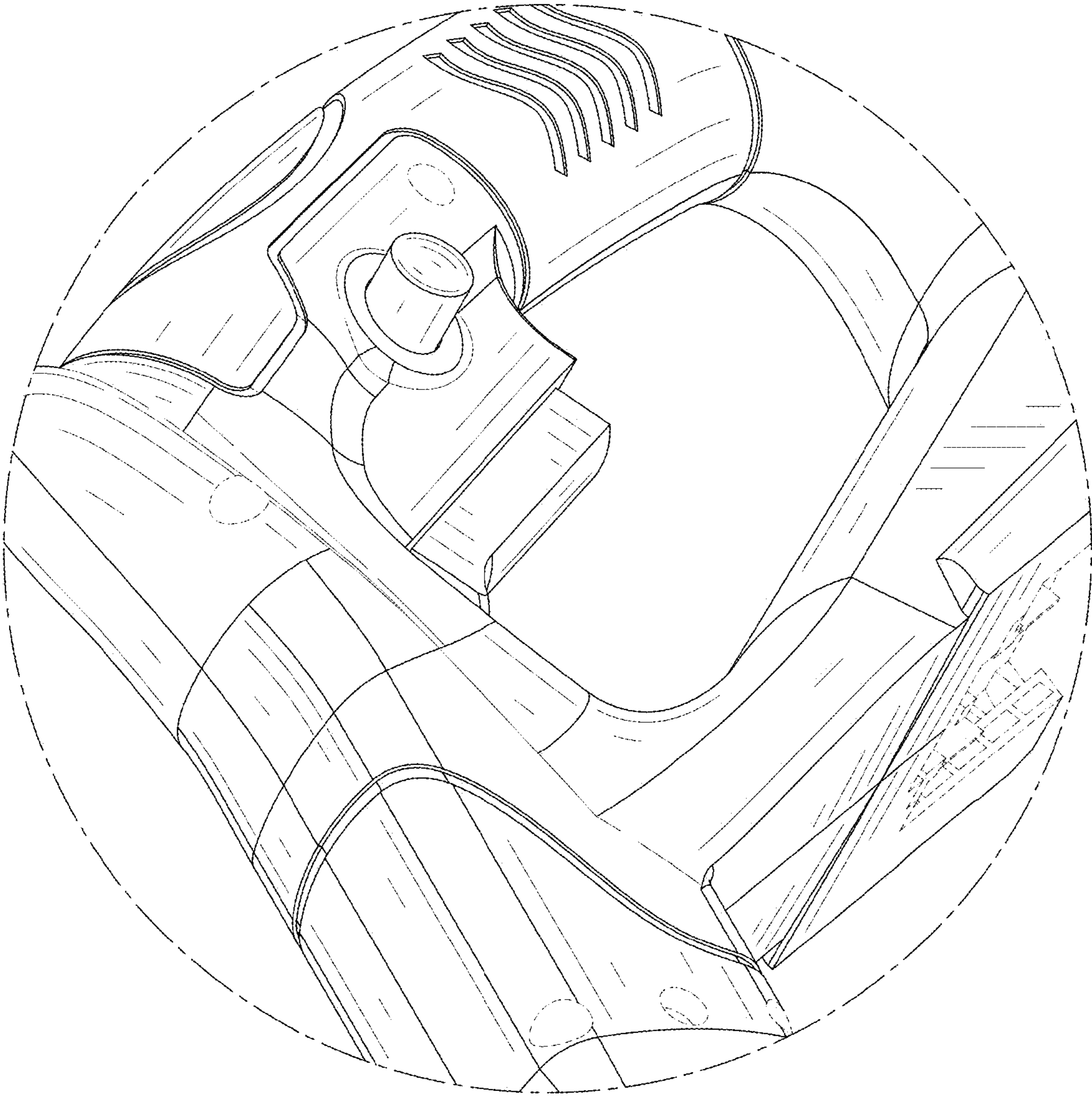


FIG. 10

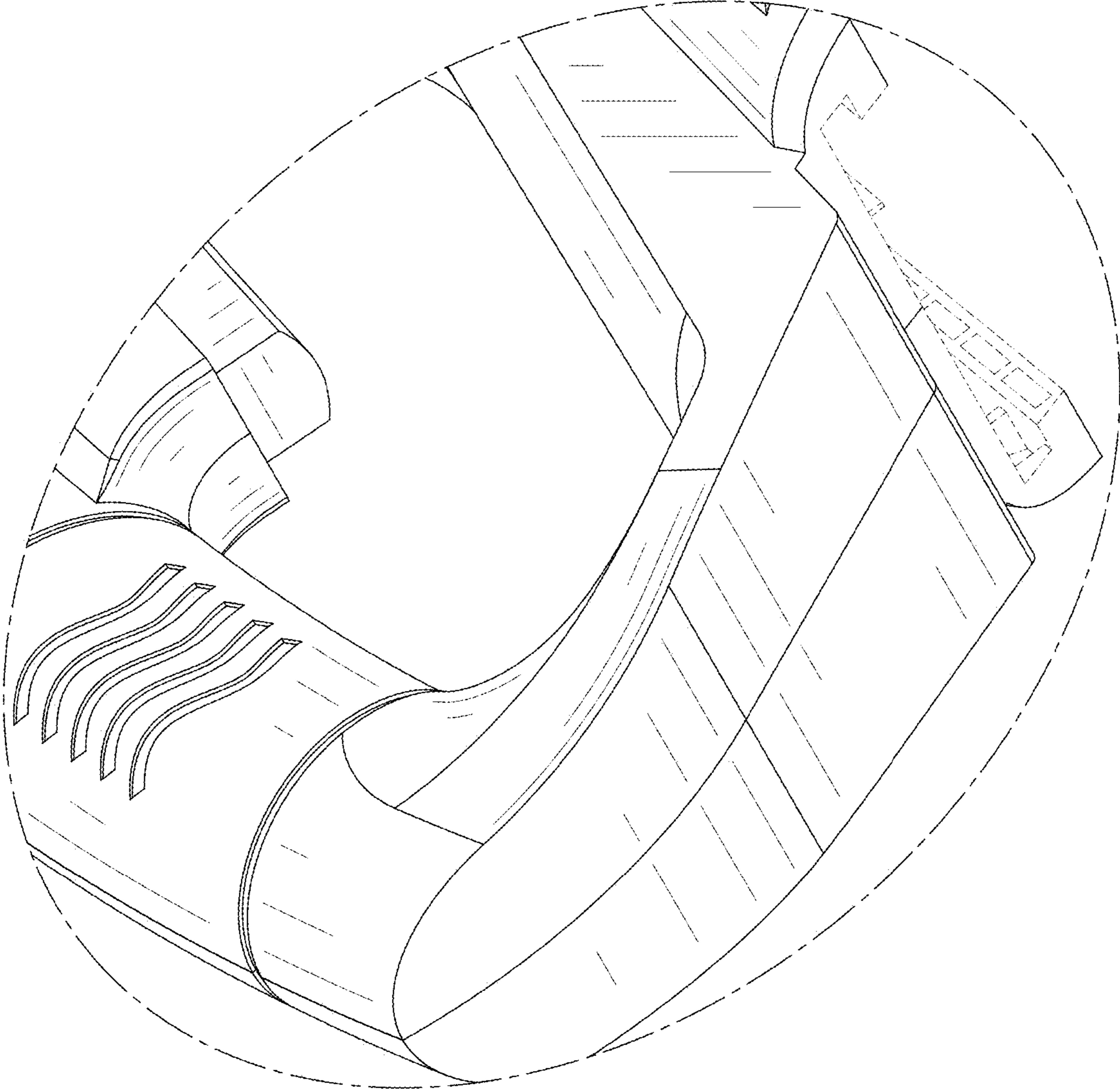


FIG. 11

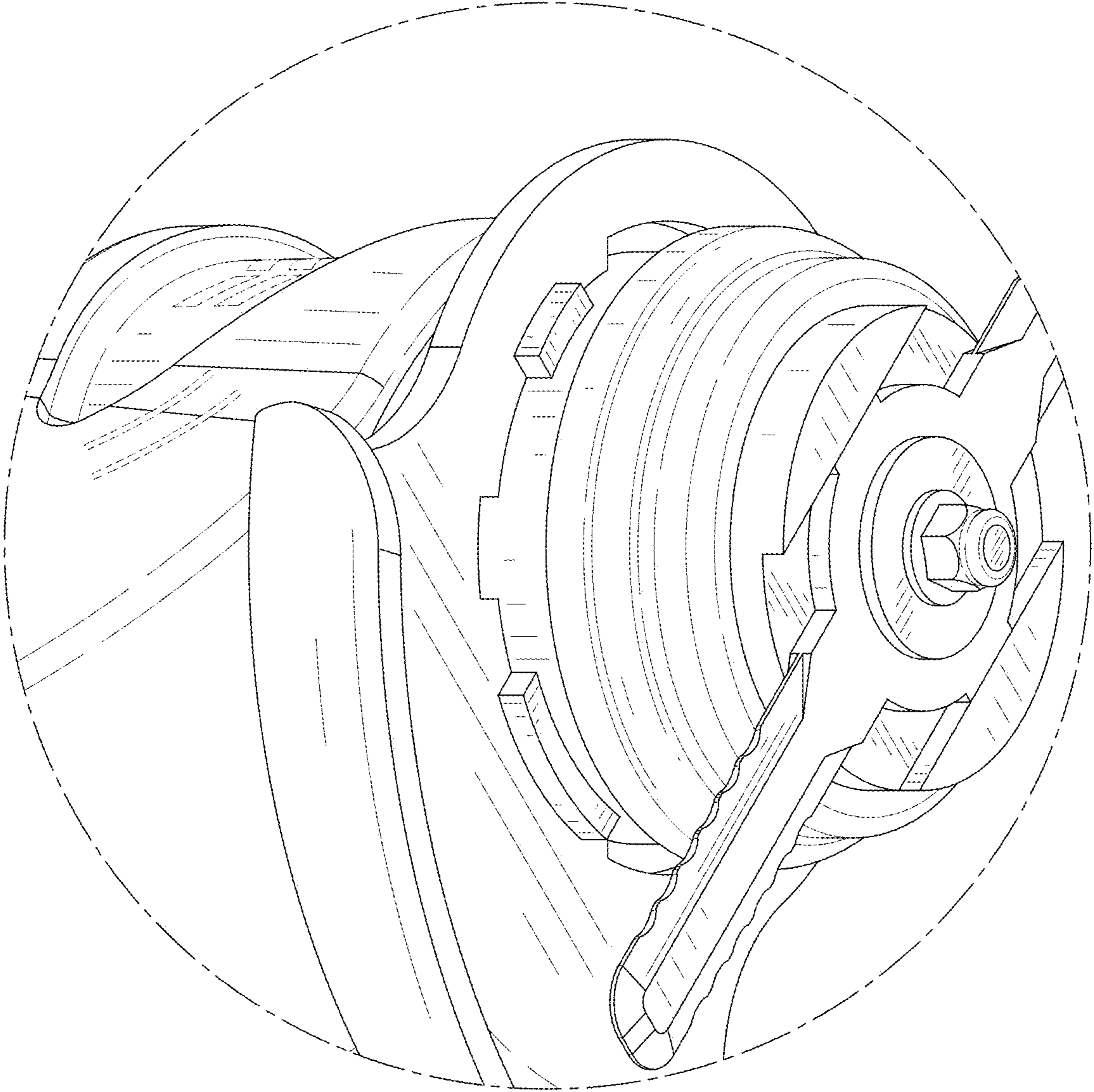


FIG. 12