



US00D988100S

(12) **United States Design Patent**  
**Henke**

(10) **Patent No.:** **US D988,100 S**

(45) **Date of Patent:** **\*\* Jun. 6, 2023**

(54) **SPIKER ANVIL WITH TIP INSERT**

(71) Applicant: **NORDCO INC.**, Oak Creek, WI (US)

(72) Inventor: **Daniel Mark Henke**, Oak Creek, WI (US)

(73) Assignee: **NORDCO INC.**, Oak Creek, WI (US)

(\*\*) Term: **15 Years**

(21) Appl. No.: **29/781,183**

(22) Filed: **Apr. 28, 2021**

(51) **LOC (14) Cl.** ..... **15-03**

(52) **U.S. Cl.**  
USPC ..... **D15/28**

(58) **Field of Classification Search**  
USPC ..... D15/122, 123, 126; D8/14, 51, 71, 75  
CPC ..... E01B 29/24; E01B 29/26; E01B 29/28;  
Y10T 29/49815

See application file for complete search history.

(56) **References Cited**

**U.S. PATENT DOCUMENTS**

1,775,917 A	9/1930	Rudlin
2,053,508 A	9/1936	Barney et al.
2,272,760 A	2/1942	Allen
3,827,509 A	8/1974	Larson
4,579,061 A	4/1986	Dieringer
4,777,885 A	10/1988	Dieringer
5,191,840 A	3/1993	Cotic et al.
5,398,616 A	3/1995	Eidemanis et al.

5,671,679 A	9/1997	Straub et al.
6,557,653 B2	5/2003	Hauptmann et al.
7,104,200 B2	9/2006	Hosking et al.
D567,605 S	4/2008	Yu
D629,025 S	12/2010	Greenleaf
D659,730 S	5/2012	Cantlon
9,771,690 B2	9/2017	Henke
D853,808 S	7/2019	Hyma et al.
2015/0052730 A1	2/2015	Dickerson
2015/0053449 A1	2/2015	Henke

**FOREIGN PATENT DOCUMENTS**

JP 5270276 B2 8/2013

*Primary Examiner* — Philip S Hyder

(74) *Attorney, Agent, or Firm* — Greer, Burns & Crain, Ltd

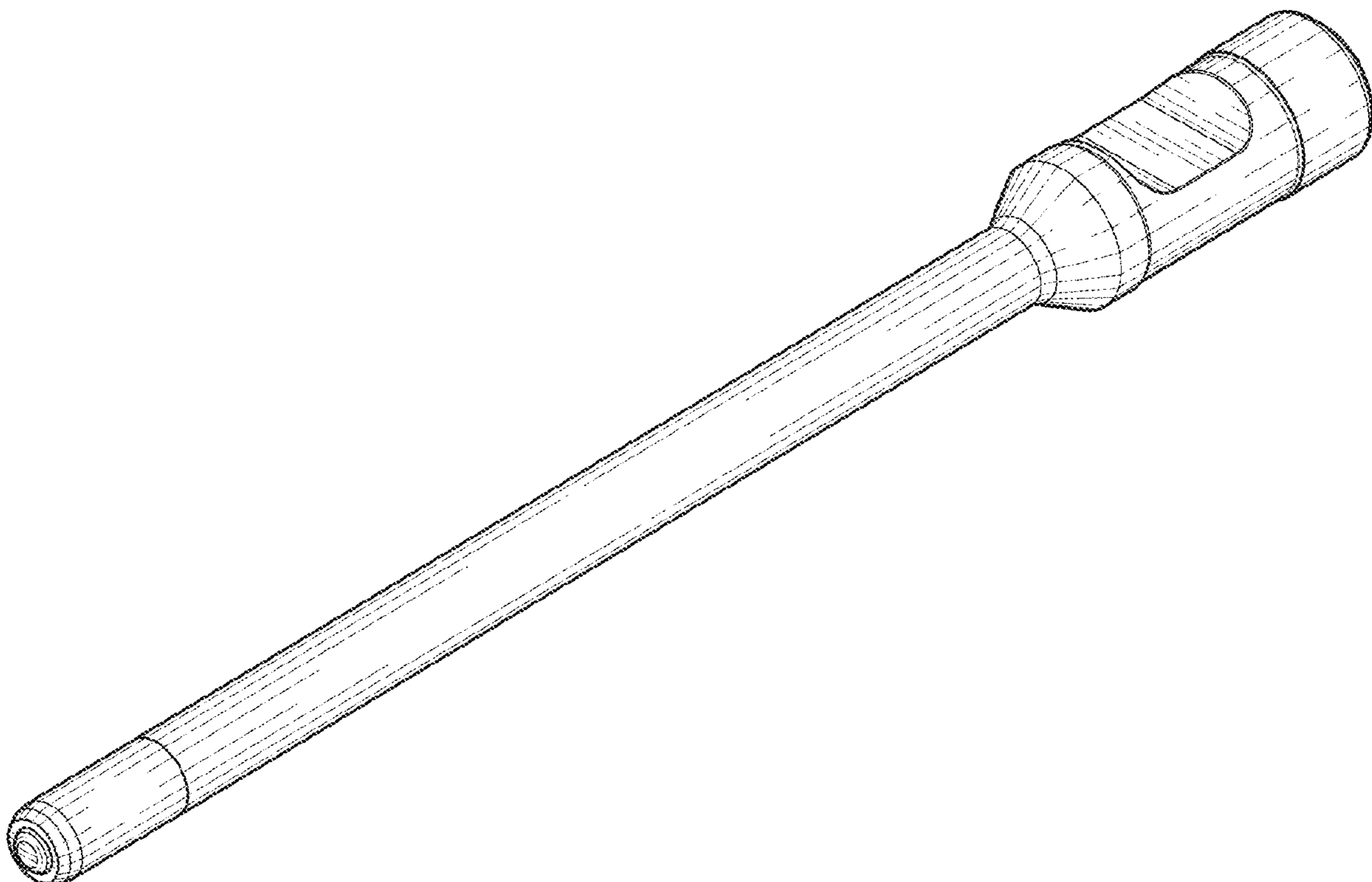
(57) **CLAIM**

The ornamental design for a spiker anvil with tip insert, as shown and described.

**DESCRIPTION**

FIG. 1 is a top perspective view of the present spiker anvil with tip insert;  
FIG. 2 is a right side view of same;  
FIG. 3 is a left side view of the spiker anvil of FIG. 1;  
FIG. 4 is a front view of same;  
FIG. 5 is a rear view of the spiker anvil of FIG. 1;  
FIG. 6 is a top view of same;  
FIG. 7 is a bottom view of same; and,  
FIG. 8 is an enlarged fragmentary side view of the circled area of the spiker anvil of FIG. 2.

**1 Claim, 4 Drawing Sheets**



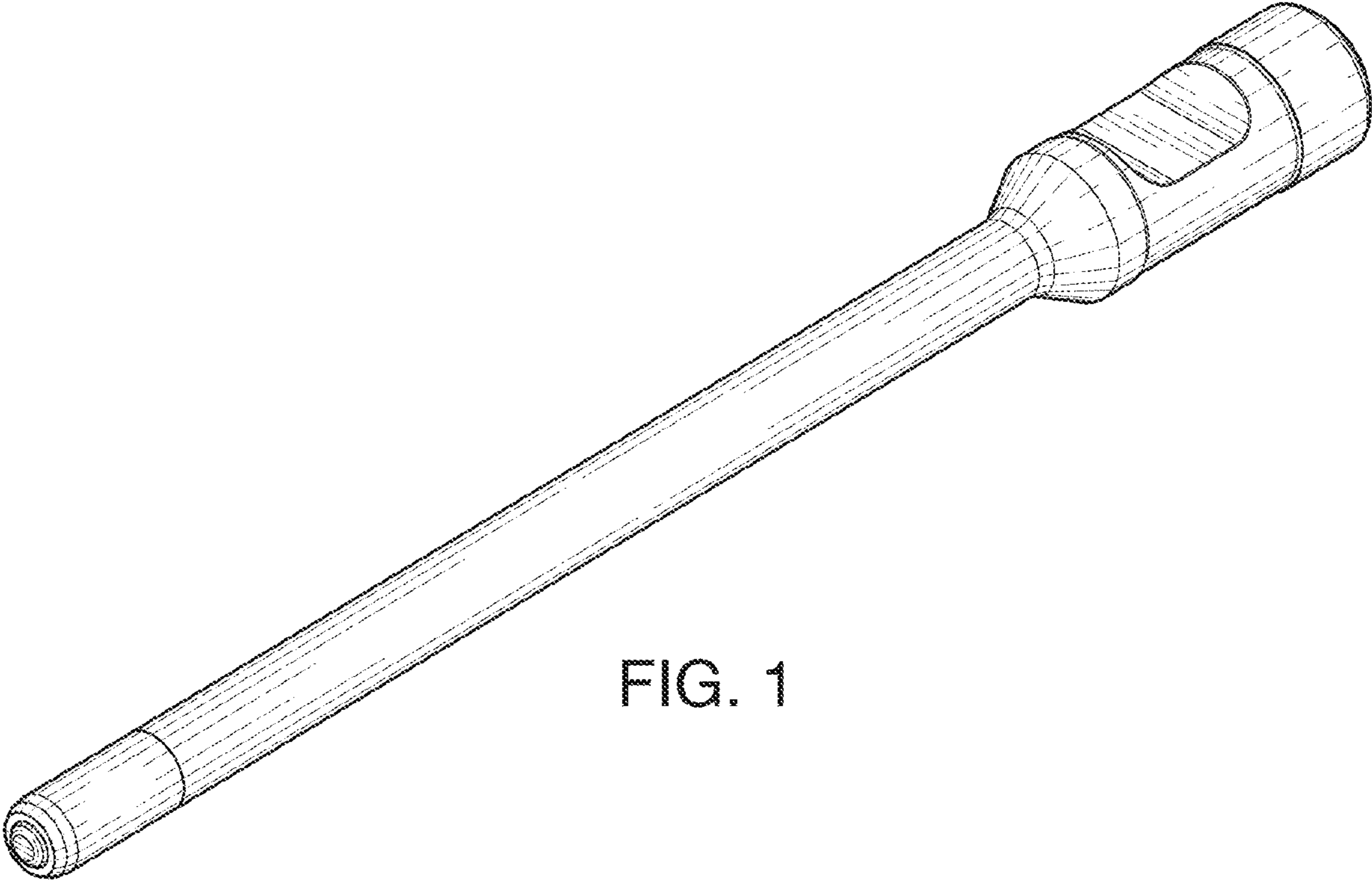


FIG. 1

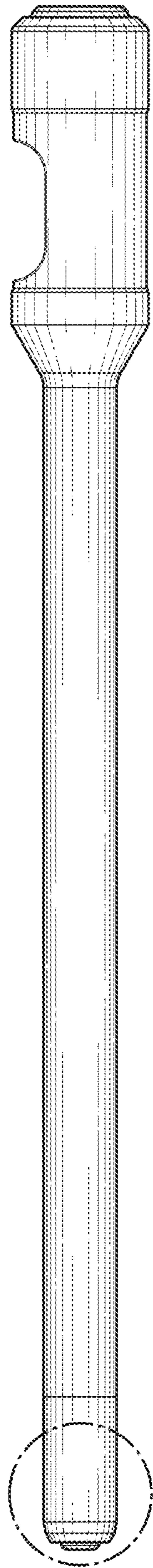


FIG. 2

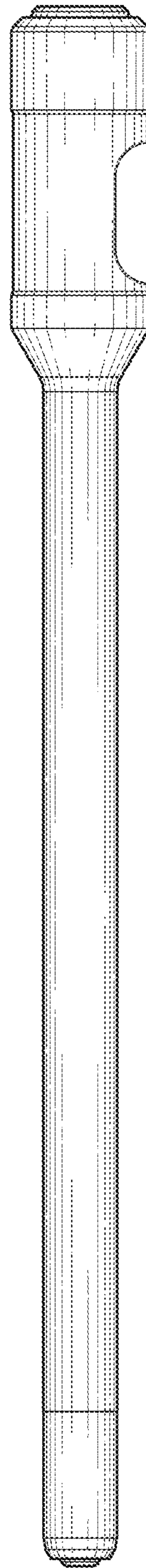


FIG. 3

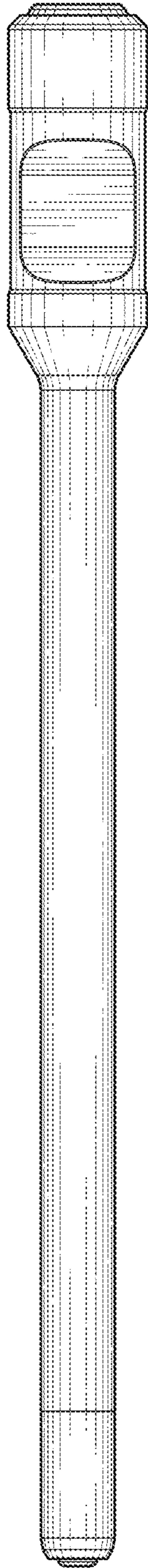


FIG. 4

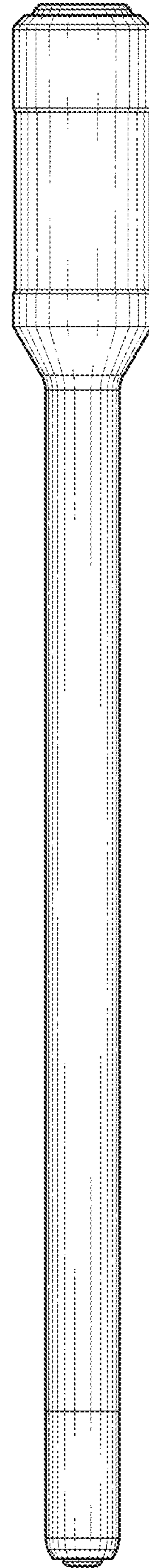


FIG. 5

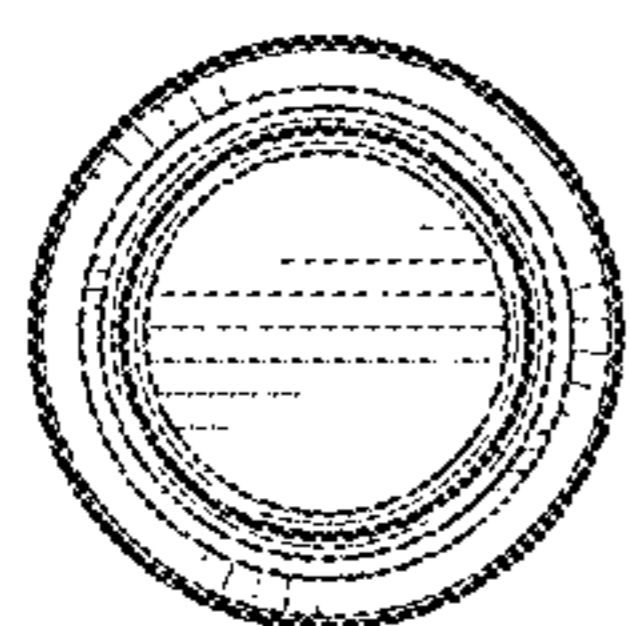


FIG. 6

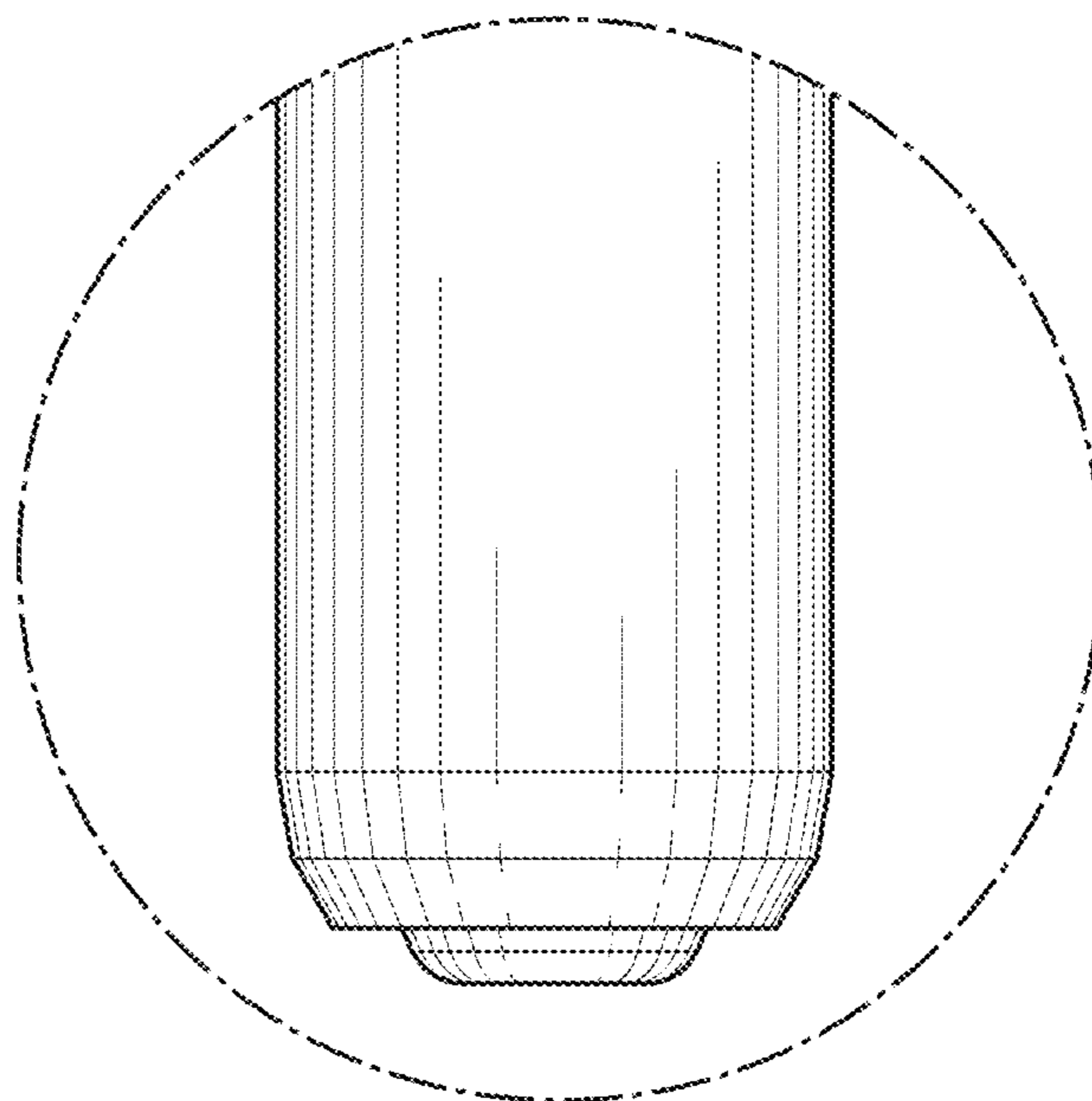


FIG. 8

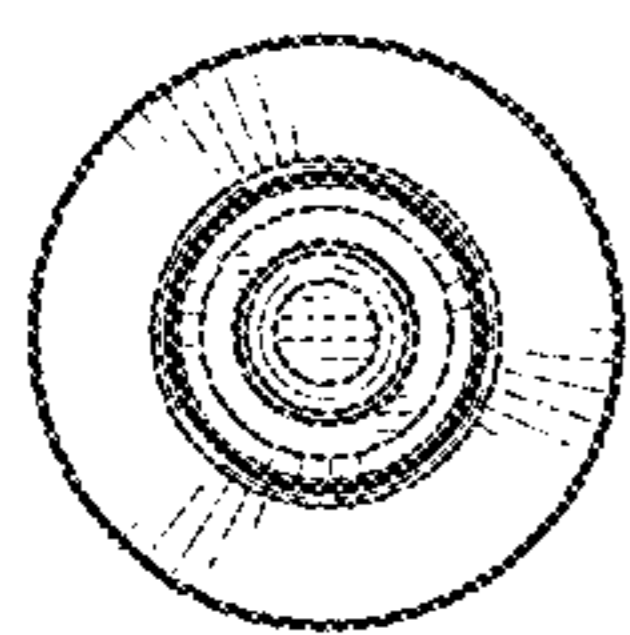


FIG. 7