



US00D988098S

(12) **United States Design Patent**
Thompson

(10) **Patent No.:** **US D988,098 S**

(45) **Date of Patent:** **** Jun. 6, 2023**

- (54) **REPLACEMENT CAULKING TIP**
- (71) Applicant: **Anthony Thompson**, Delray Beach, FL (US)
- (72) Inventor: **Anthony Thompson**, Delray Beach, FL (US)
- (**) Term: **15 Years**
- (21) Appl. No.: **29/797,669**
- (22) Filed: **Jul. 1, 2021**
- (51) **LOC (14) Cl.** **08-05**
- (52) **U.S. Cl.**
USPC **D8/14.1**
- (58) **Field of Classification Search**
USPC D8/14, 14.1; D9/447
CPC B05C 17/0053; B05C 17/00546; B05C 17/00526; B05C 17/01
See application file for complete search history.

(56) **References Cited**

U.S. PATENT DOCUMENTS

- 4,342,408 A * 8/1982 Boring B65D 25/42
220/378
- D335,809 S * 5/1993 Reifenberger D8/70
- 5,297,697 A * 3/1994 Boring B05C 17/00586
222/541.2
- 5,560,521 A * 10/1996 Boring B05C 17/01
222/327
- 6,398,085 B2 * 6/2002 Foster B05C 17/00516
222/326
- 7,014,079 B2 * 3/2006 Swann B05C 17/00516
222/326
- 7,631,790 B2 * 12/2009 Braams B05C 17/00513
222/571
- D677,535 S * 3/2013 Scott D8/14.1
- 9,027,796 B1 * 5/2015 Leitch B05C 17/0052
15/118
- 9,067,711 B2 * 6/2015 Melia B05C 17/0123
- 10,730,069 B2 * 8/2020 Lussier B05C 17/00506

- 2005/0029314 A1 * 2/2005 Williams B05C 17/00516
222/391
- 2007/0095865 A1 * 5/2007 Chick B05C 17/00596
222/327
- 2007/0235475 A1 * 10/2007 Schneider B05C 17/00576
222/326
- 2008/0156831 A1 * 7/2008 Nakayama B32B 15/20
222/327
- 2015/0190839 A1 * 7/2015 Hunt B05C 17/0146
222/545
- 2015/0284166 A1 * 10/2015 Green B65D 81/325
222/325
- 2015/0298160 A1 * 10/2015 Hudson B01F 29/34
366/218
- 2016/0067736 A1 * 3/2016 Lussier B05C 17/00506
222/562

(Continued)

Primary Examiner — Philip S Hyder

(74) *Attorney, Agent, or Firm* — Sanchelima & Associates, P.A.; Christian Sanchelima; Jesus Sanchelima

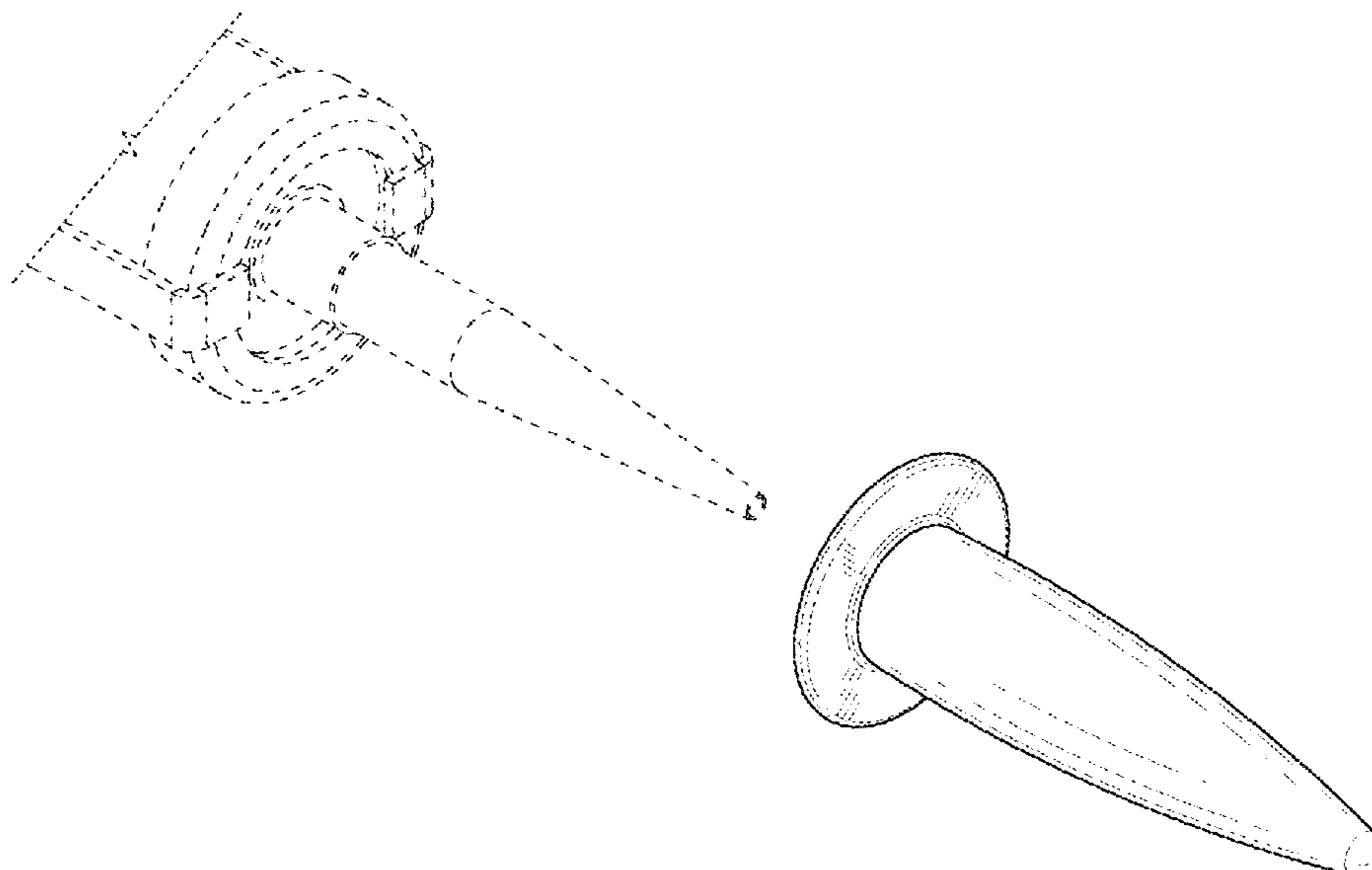
(57) **CLAIM**

The ornamental design for replacement caulking tip, as shown and described.

DESCRIPTION

FIG. 1 is an isometric view of a replacement caulking tip showing my new design;
 FIG. 2 is a front elevational view thereof;
 FIG. 3 is a rear elevational view thereof;
 FIG. 4 is a left side elevational view thereof;
 FIG. 5 is a right elevational view thereof;
 FIG. 6 is a top plan view thereof;
 FIG. 7 is a bottom plan view thereof; and,
 FIG. 8 is an isometric view of the replacement caulking tip in an environment of use adjacent to a caulking device. The broken line depiction of the caulking device and nozzle is provided for purposes of environment and forms no part of the claimed design.

1 Claim, 5 Drawing Sheets



(56)

References Cited

U.S. PATENT DOCUMENTS

2016/0114350 A1* 4/2016 Brodbeck B05B 1/02
239/601
2016/0332188 A1* 11/2016 Agnello B01F 27/1142
2019/0224711 A1* 7/2019 Demeris, Jr. E04F 21/00
2020/0113307 A1* 4/2020 Park A45D 34/04
2021/0170438 A1* 6/2021 Dey B05C 17/0123

* cited by examiner

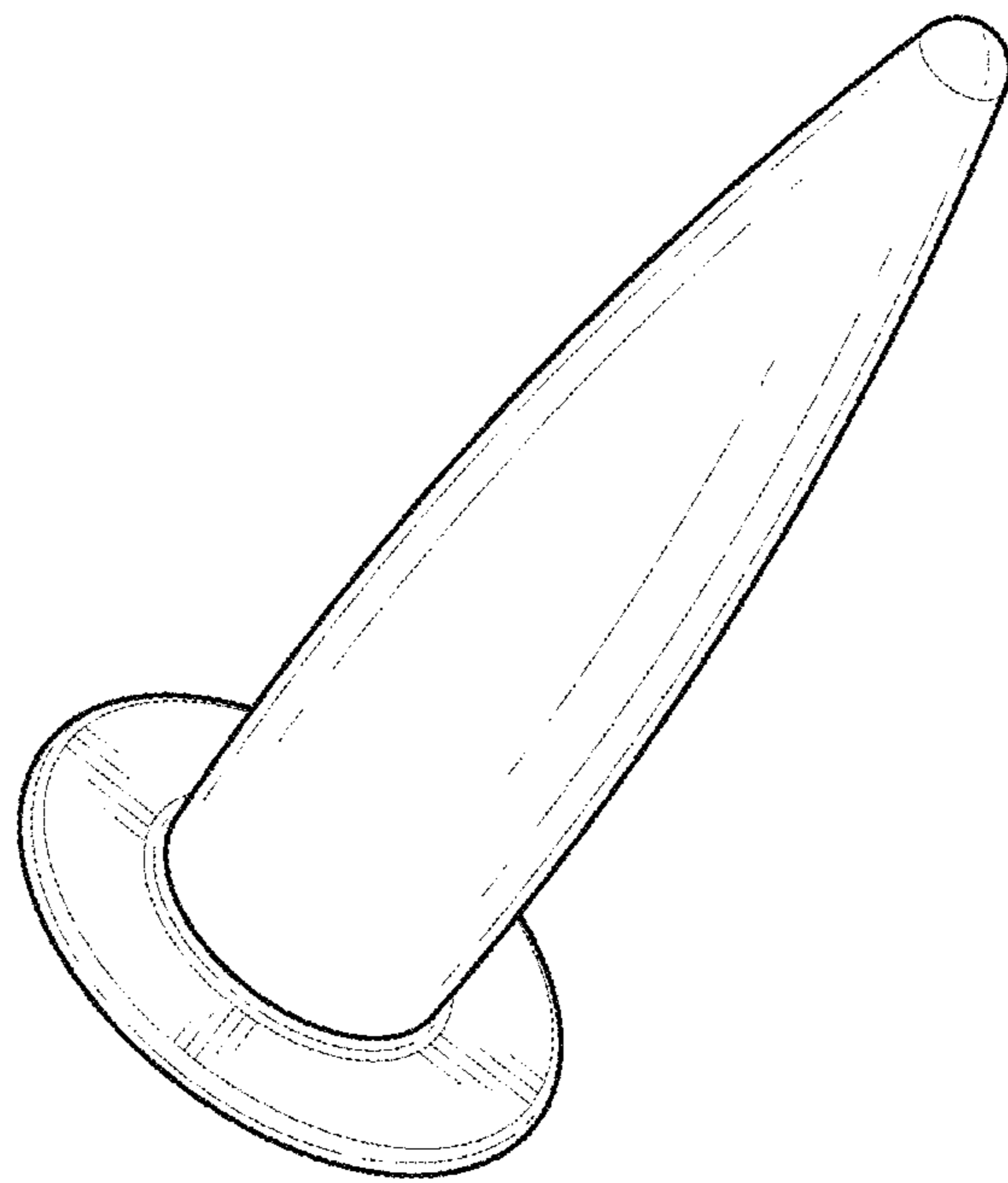


FIG. 1

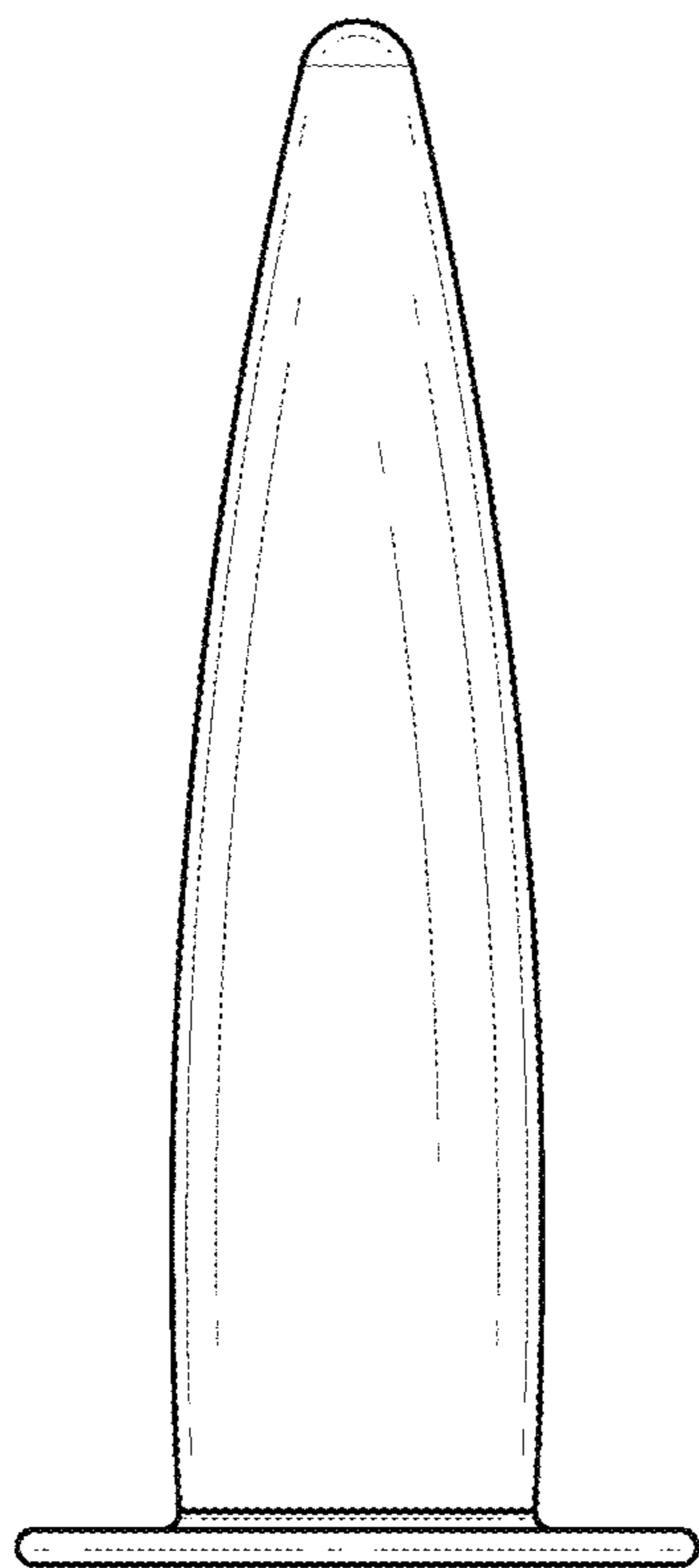


FIG. 2

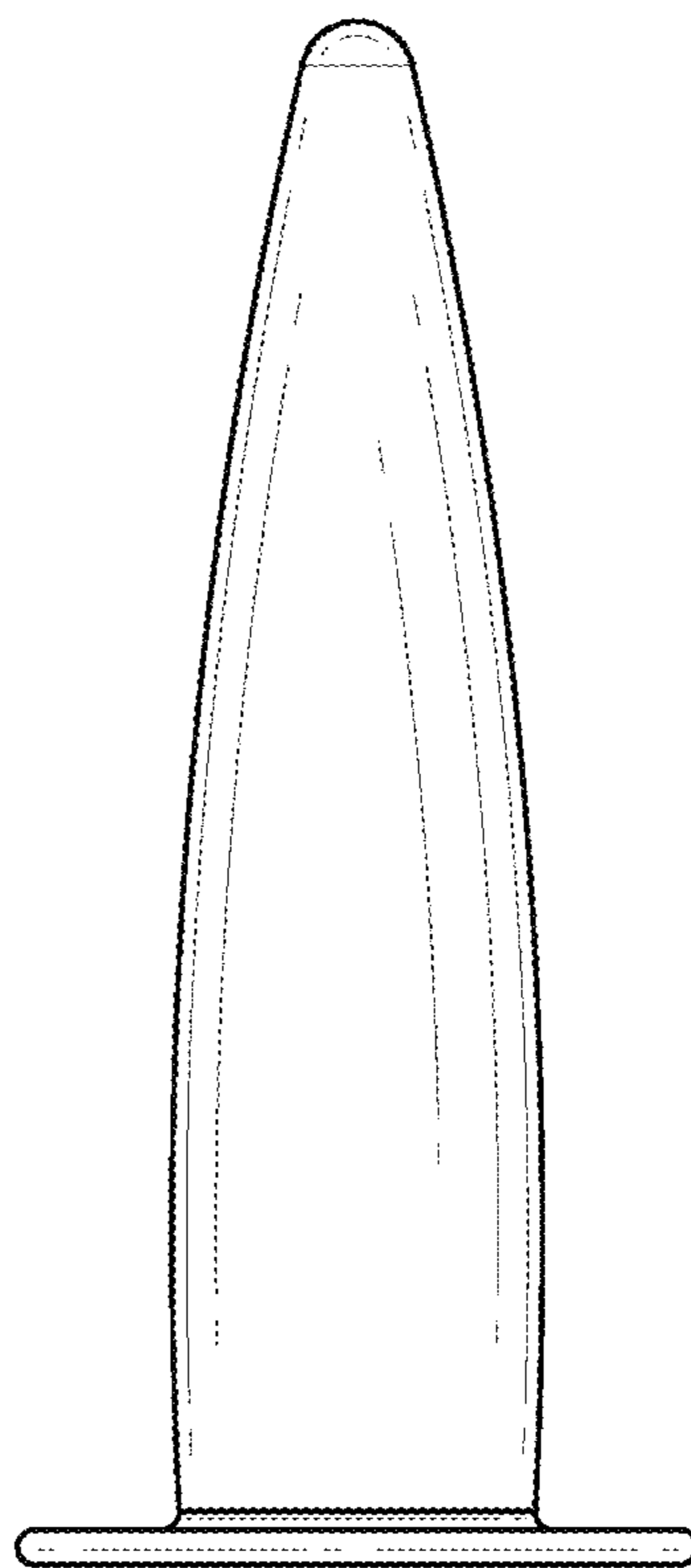


FIG. 3

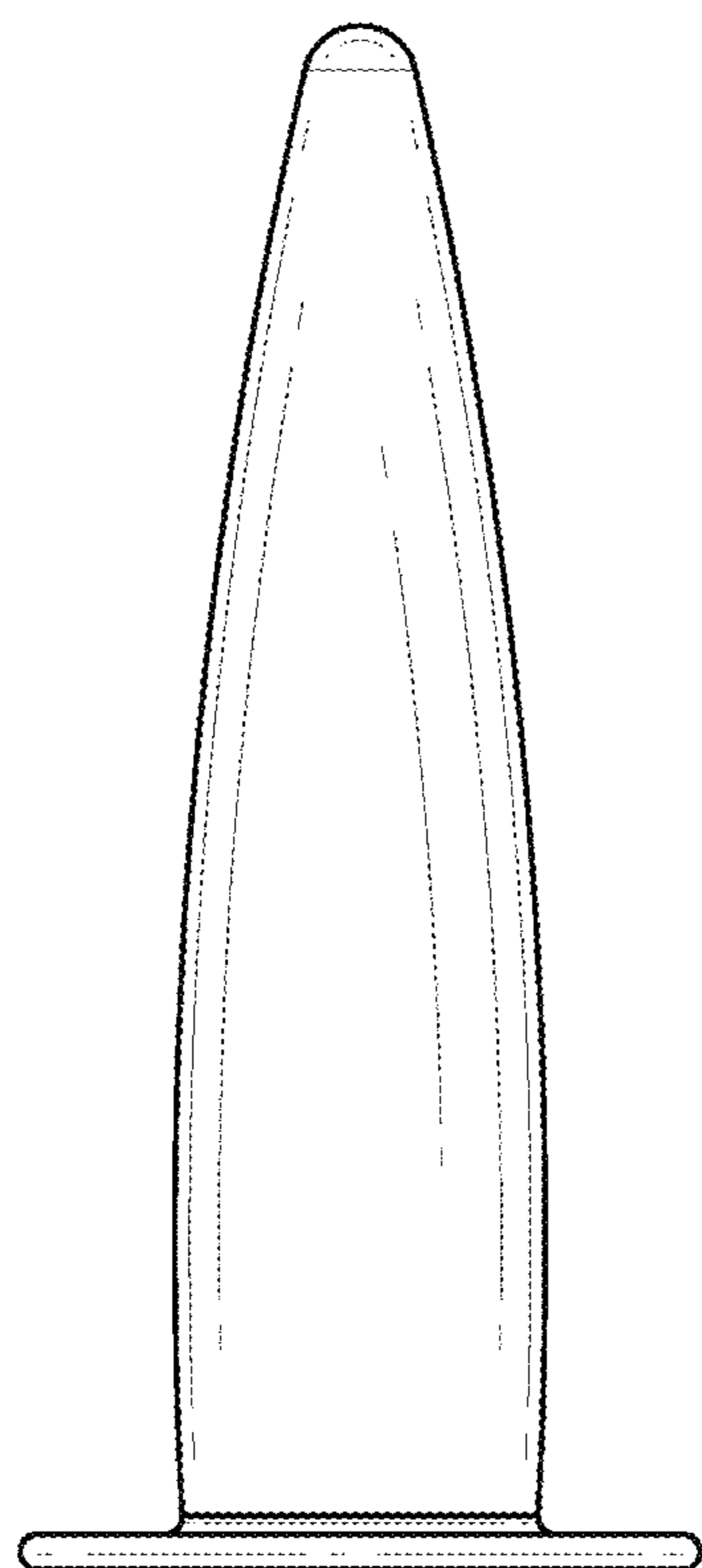


FIG. 4

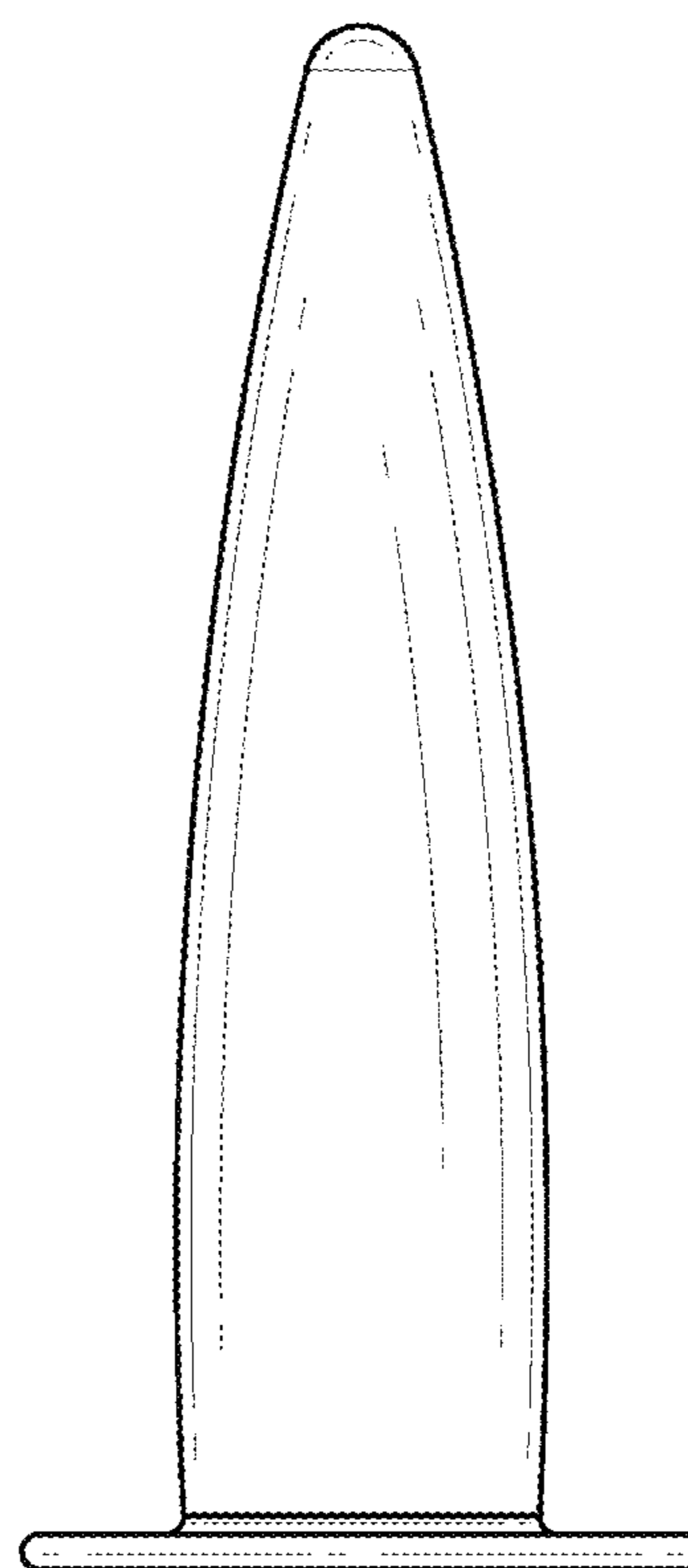


FIG. 5

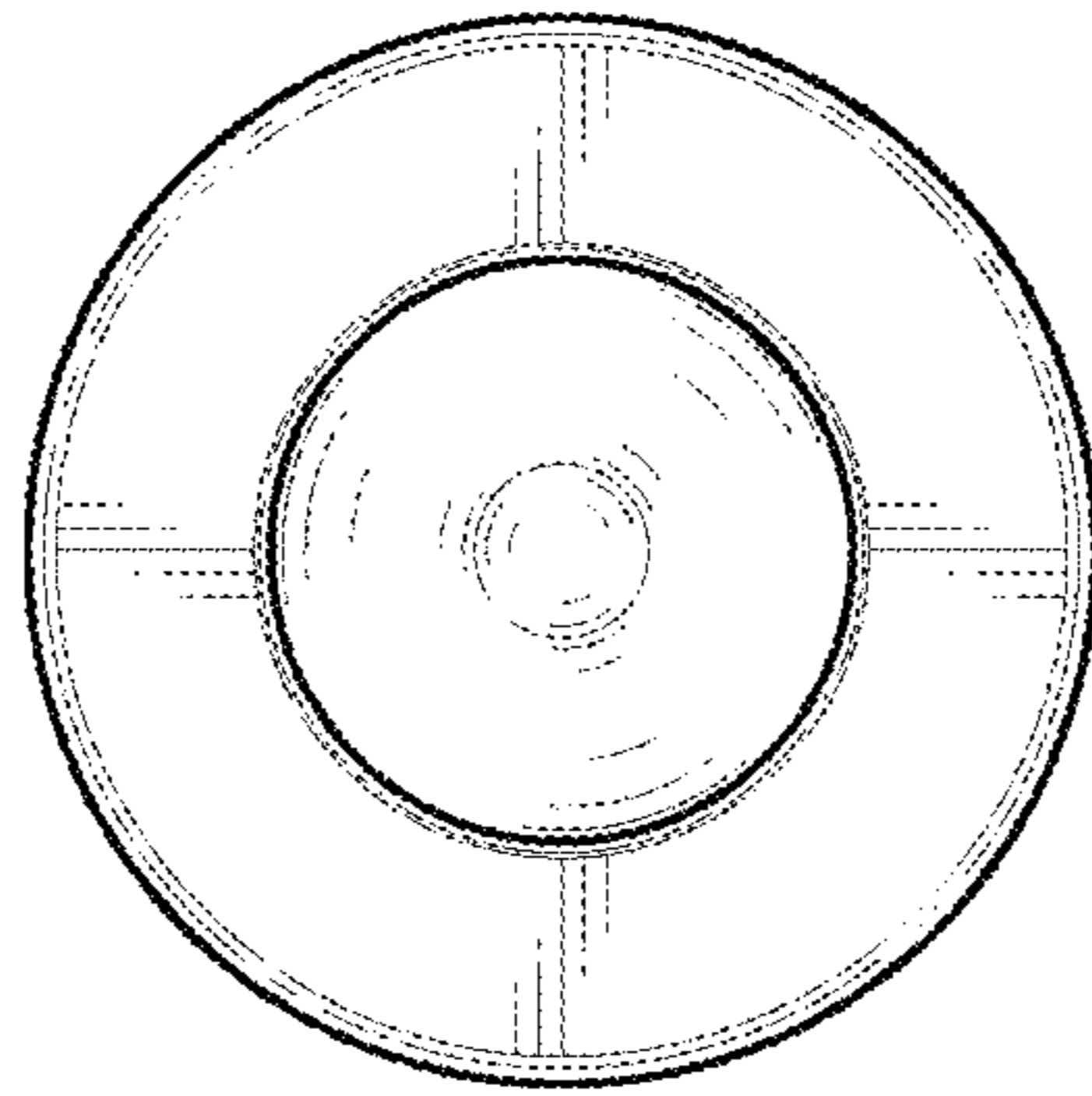


FIG. 6

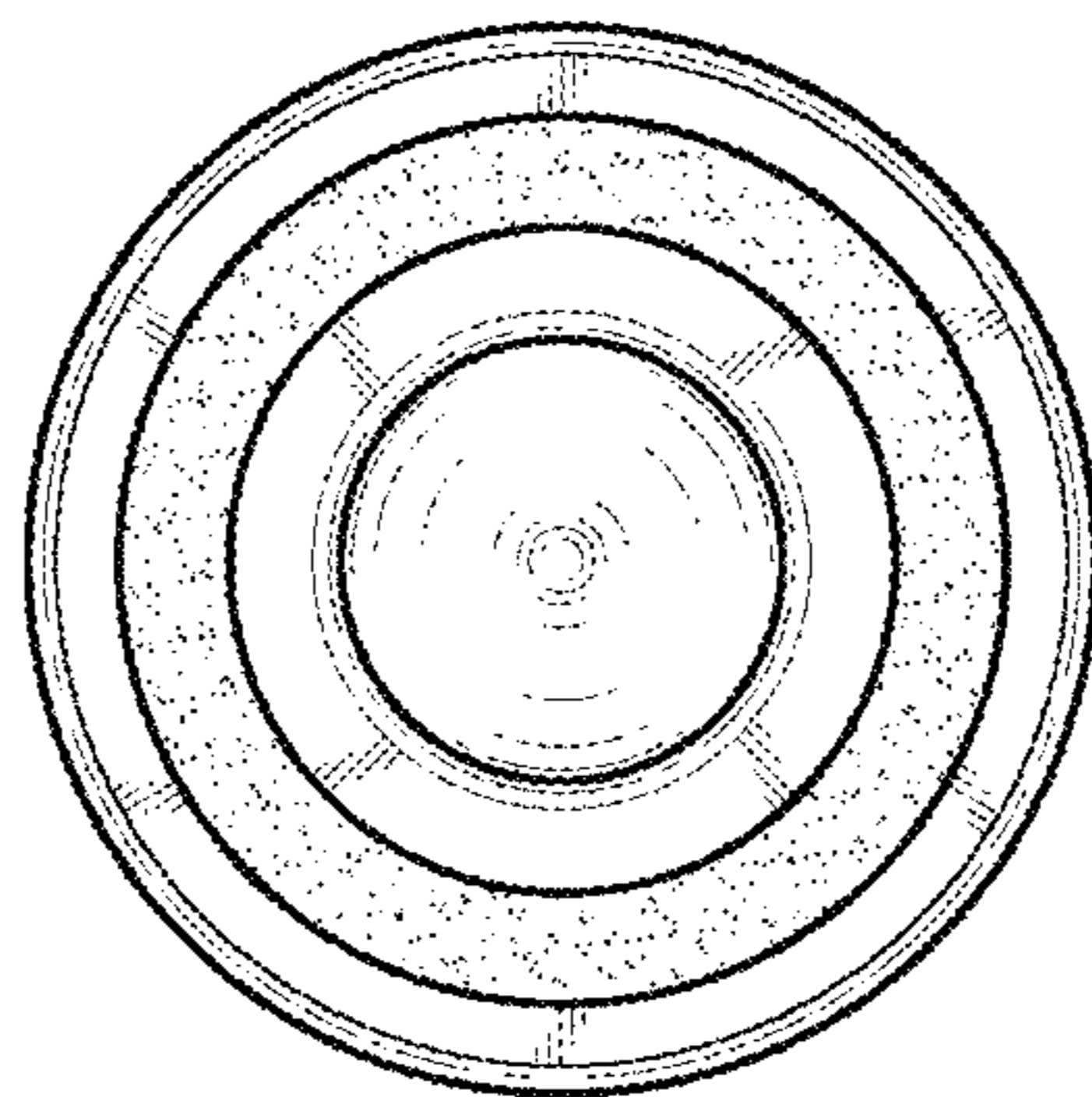


FIG. 7

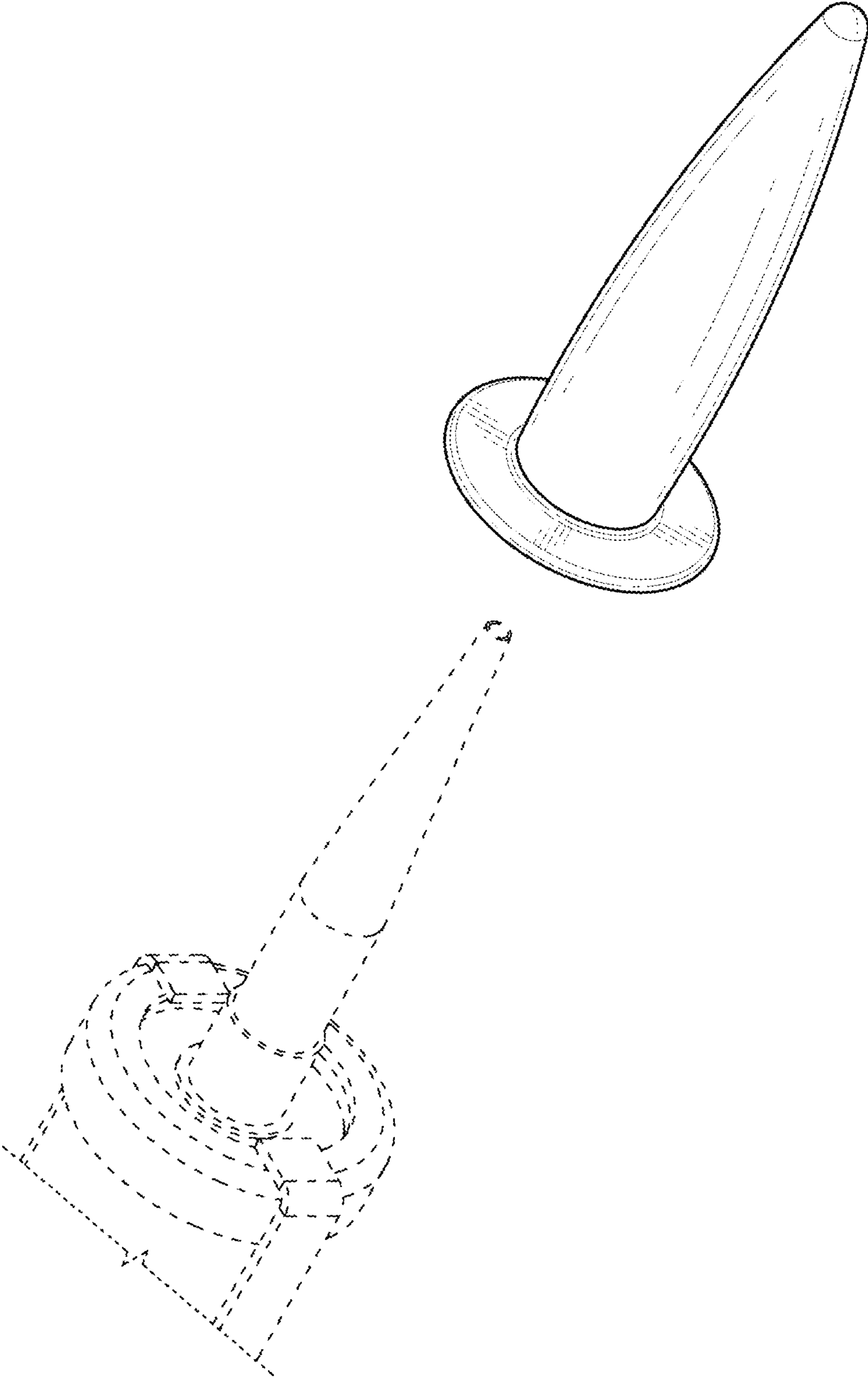


FIG. 8