



US00D988096S

(12) **United States Design Patent** (10) **Patent No.:** **US D988,096 S**
Liu (45) **Date of Patent:** **** Jun. 6, 2023**

(54) **FIREWOOD KINDLING SPLITTER**
(71) Applicant: **Lvliang Zhuwa Trading Co., Ltd.**,
Lvliang (CN)
(72) Inventor: **Liyang Liu**, Lvliang (CN)
(73) Assignee: **Lvliang Zhuwa Trading Co., Ltd.**,
Lvliang (CN)
(**) Term: **15 Years**
(21) Appl. No.: **29/883,678**
(22) Filed: **Feb. 2, 2023**
(51) **LOC (14) Cl.** **08-03**
(52) **U.S. Cl.**
USPC **D8/7**
(58) **Field of Classification Search**
USPC D8/7, 71, 76
CPC B27L 7/00; B27L 7/02; B27L 7/005; B27L
7/06; B27L 7/08
See application file for complete search history.

D966,839 S * 10/2022 Jiang D8/1
2005/0016629 A1* 1/2005 Brazzola B27L 7/005
144/195.7
2018/0229395 A1* 8/2018 Zhu B26D 7/22

FOREIGN PATENT DOCUMENTS

EM 008570501-0001 * 6/2021
WO WOD225175-001 * 12/2022

OTHER PUBLICATIONS

FANFX Heavy Duty Double Wedge Kindling Splitter: See Attached Appendix "Notice of References Cited—Continuation Sheet of Non-Patent Documents" for NPL Information. (Year: 2023).*

(Continued)

Primary Examiner — S. Bryan Reinholdt, Jr.
Assistant Examiner — Ieisha N Price

(57) **CLAIM**

The ornamental design for a firewood kindling splitter, as shown and described.

(56) **References Cited**

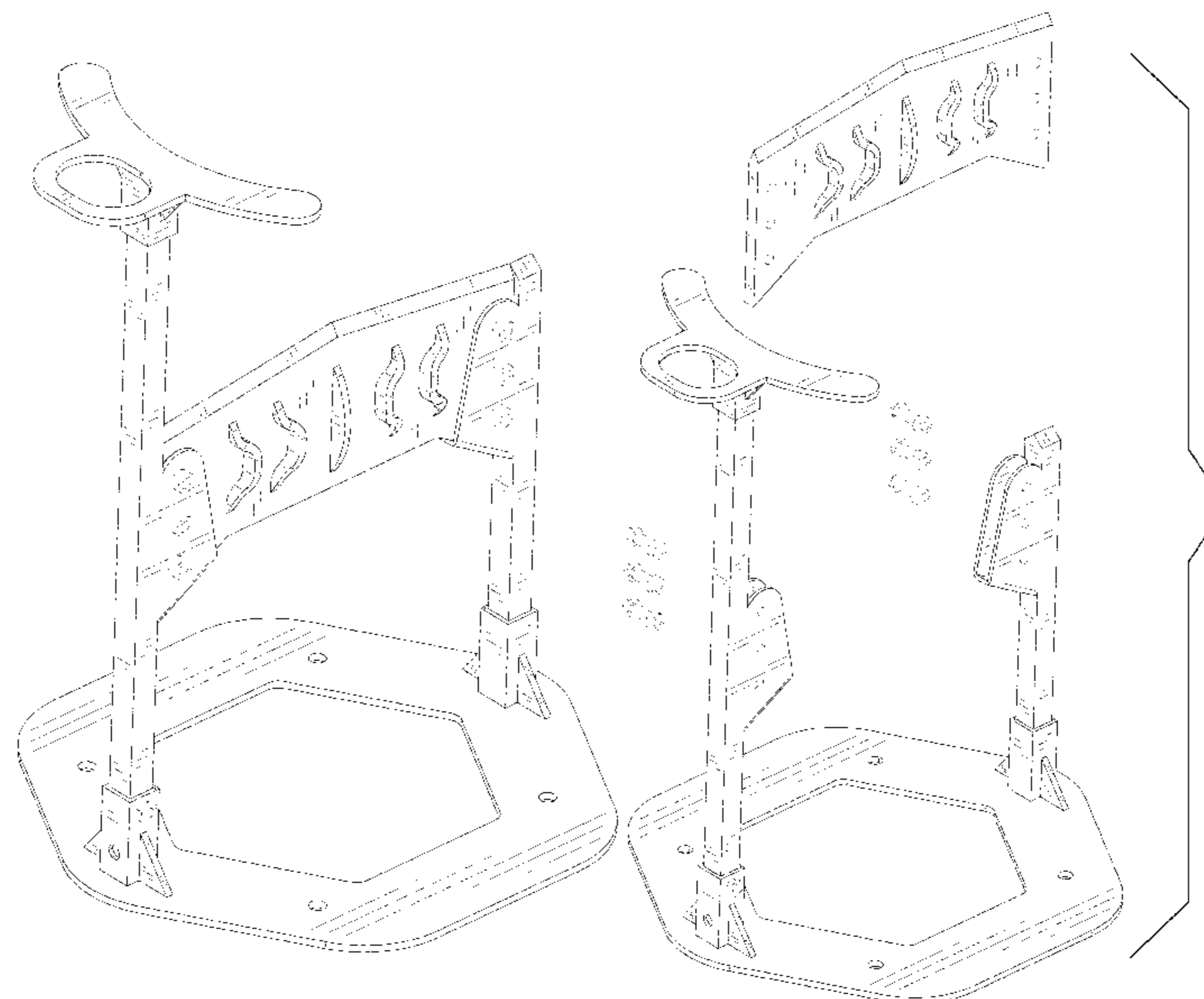
U.S. PATENT DOCUMENTS

3,982,572 A * 9/1976 Kortendick B27L 7/005
144/195.7
4,391,311 A * 7/1983 Levercom B27L 7/005
144/195.7
D817,123 S * 5/2018 Johnsen D8/7
D845,725 S * 4/2019 Baron D8/7
D881,662 S * 4/2020 Hutchinson D8/1
D901,997 S * 11/2020 Baron D8/7
D904,837 S * 12/2020 Chaklos D8/7
D924,646 S * 7/2021 Fu D8/7
D925,998 S * 7/2021 Baron D8/7
D934,041 S * 10/2021 Odintsov D8/7
D951,728 S * 5/2022 Amundson D8/7
D953,825 S * 6/2022 Baron D8/7
D965,039 S * 9/2022 Hutchinson B26D 7/22
D8/7

DESCRIPTION

FIG. 1 is a front perspective view of a firewood kindling splitter, showing my new design;
FIG. 2 is a rear perspective view thereof;
FIG. 3 is a front view thereof;
FIG. 4 is a rear view thereof;
FIG. 5 is a left side view thereof;
FIG. 6 is a right side view thereof;
FIG. 7 is a top view thereof;
FIG. 8 is a bottom view thereof; and,
FIG. 9 is an exploded front perspective view thereof.
The broken lines in the drawings illustrate the portions of the firewood kindling splitter, which form no part of the claimed design.

1 Claim, 9 Drawing Sheets



(56)

References Cited

OTHER PUBLICATIONS

Firewood Kindling Splitter: See Attached Appendix “Notice of References Cited—Continuation Sheet of Non-Patent Documents” for NPL Information. (Year: 2022).*

Viania Firewood Kindling Splitter: See Attached Appendix: “Notice of References Cited—Continuation Sheet of Non-Patent Documents” for NPL Information. (Year: 2023).*

* cited by examiner

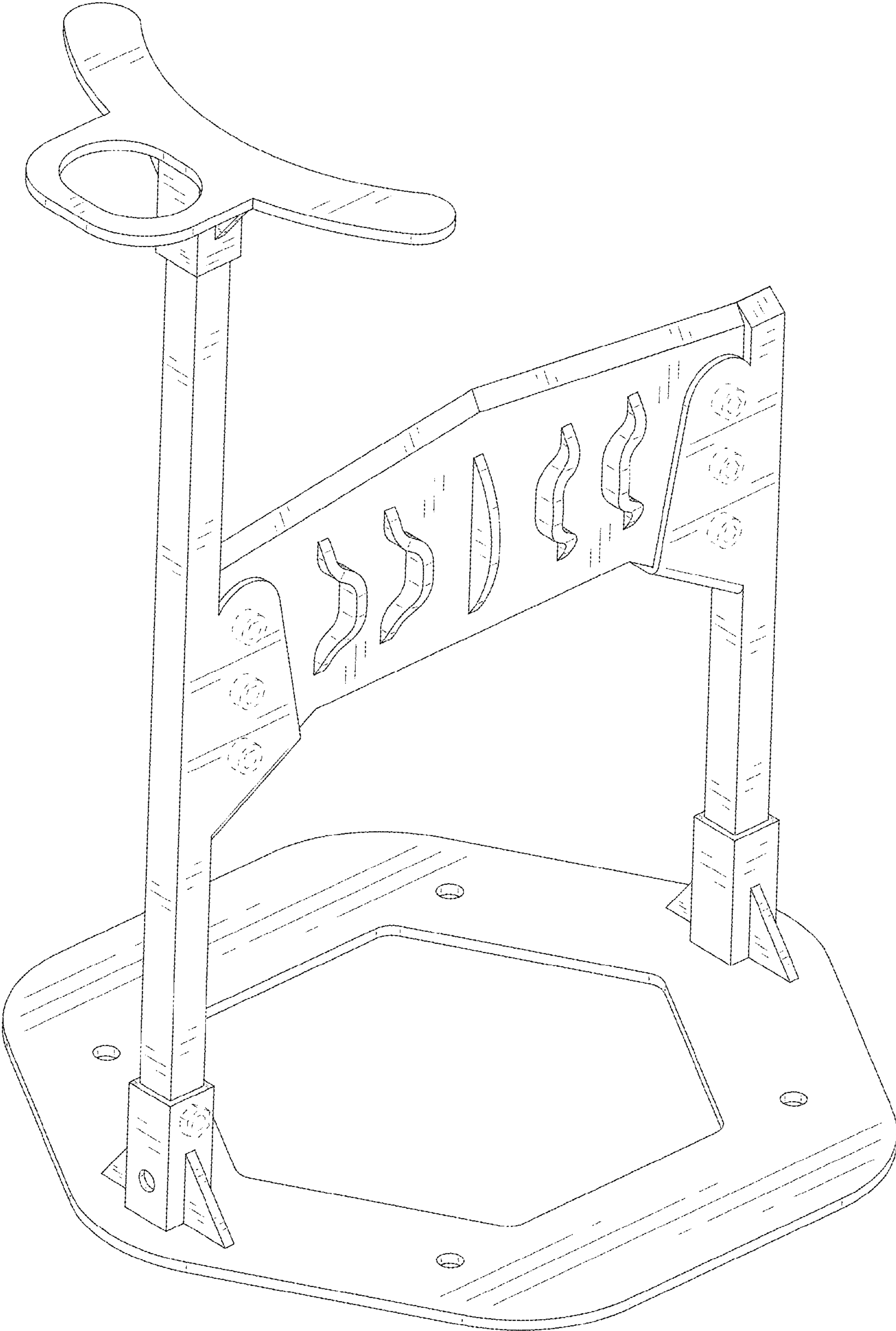


FIG. 1

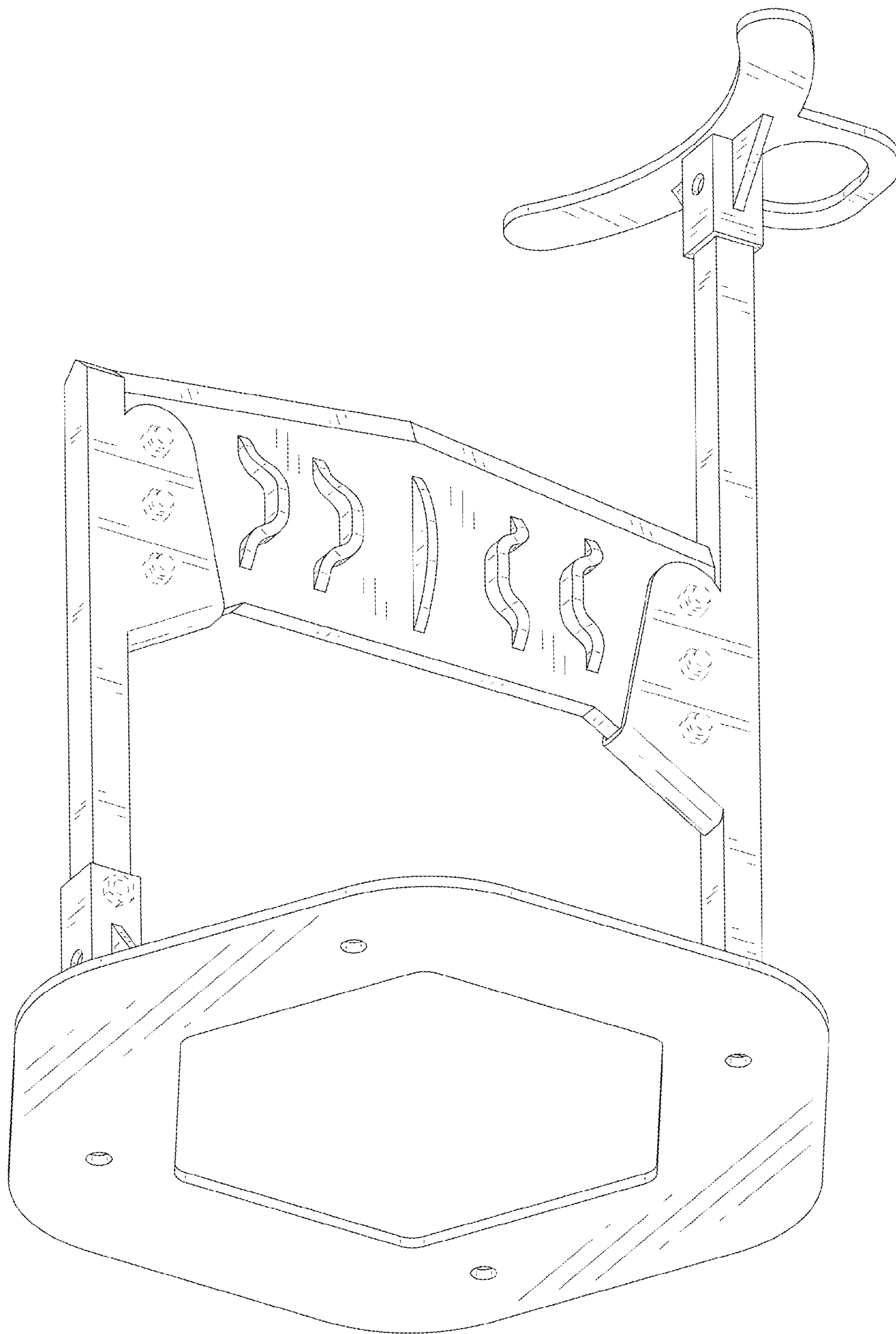


FIG. 2

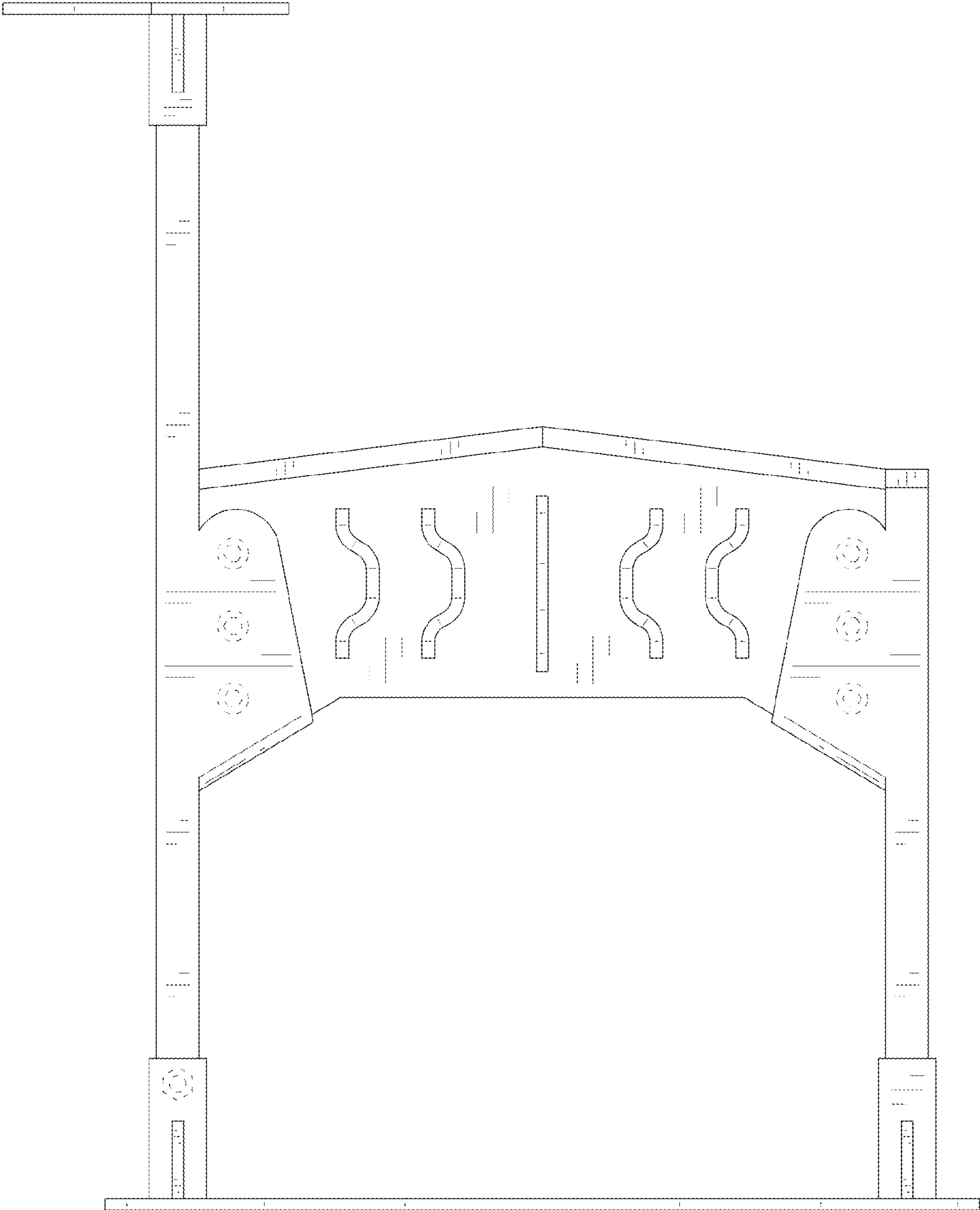


FIG. 3

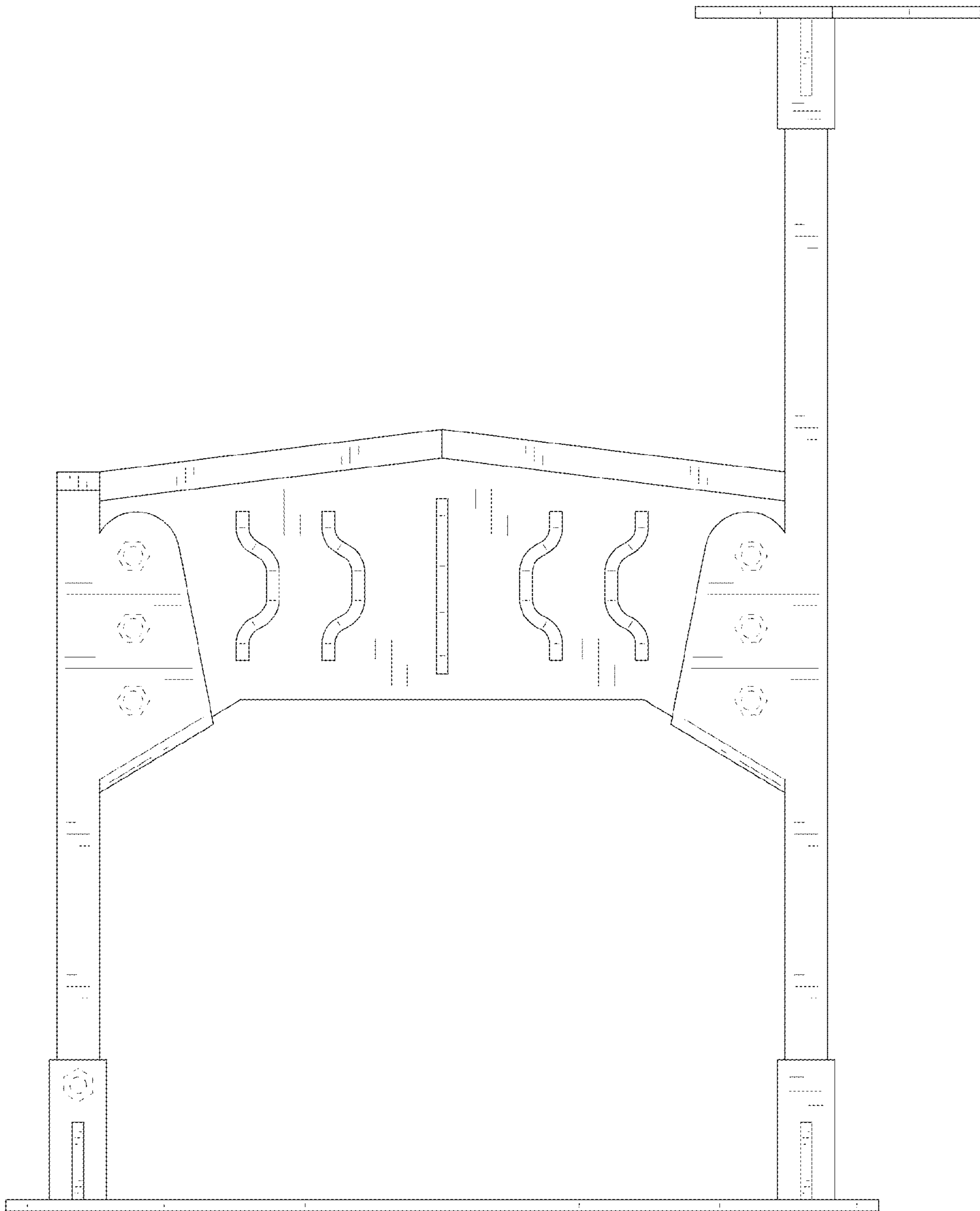


FIG. 4

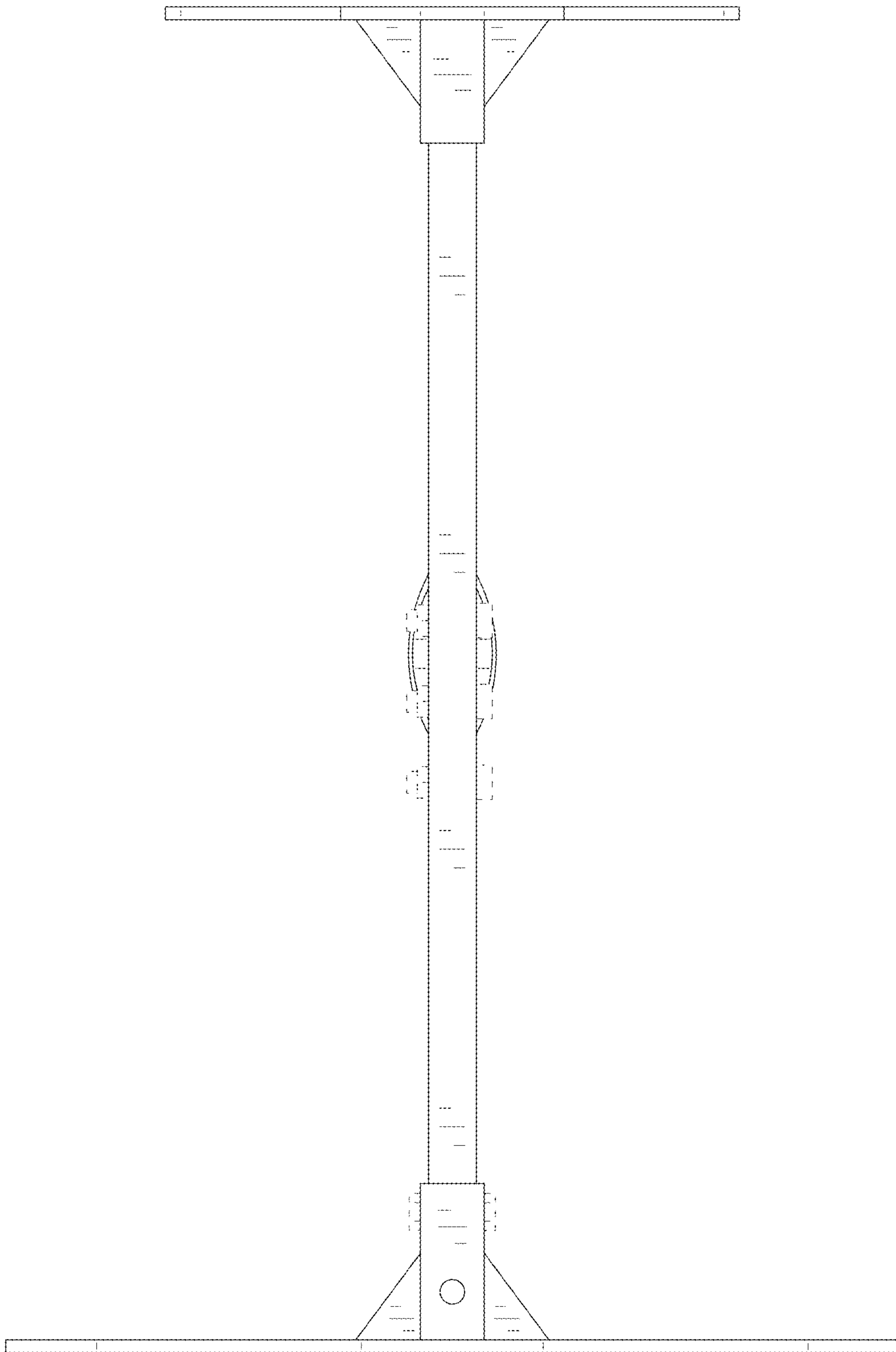


FIG. 5

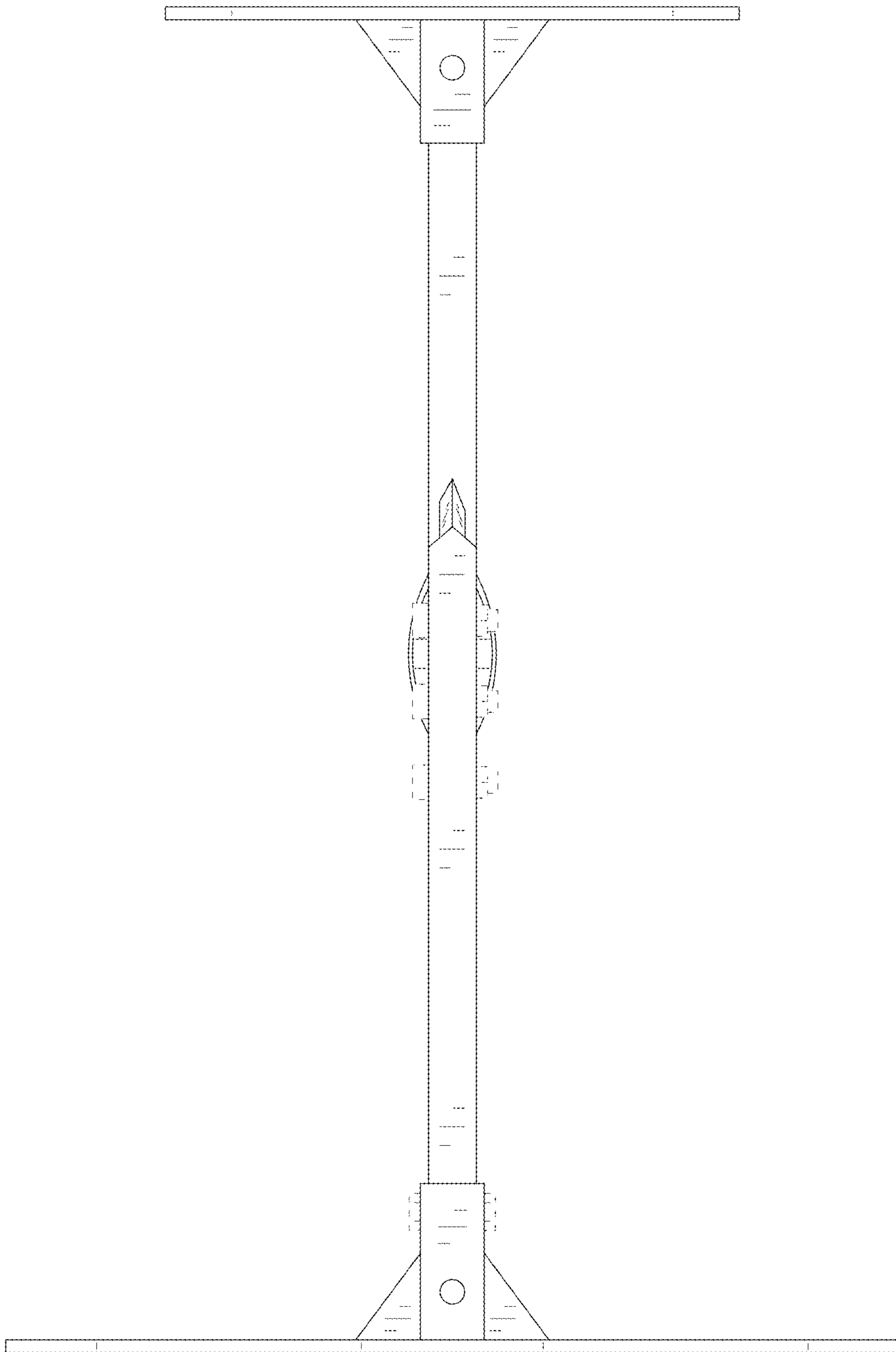


FIG. 6

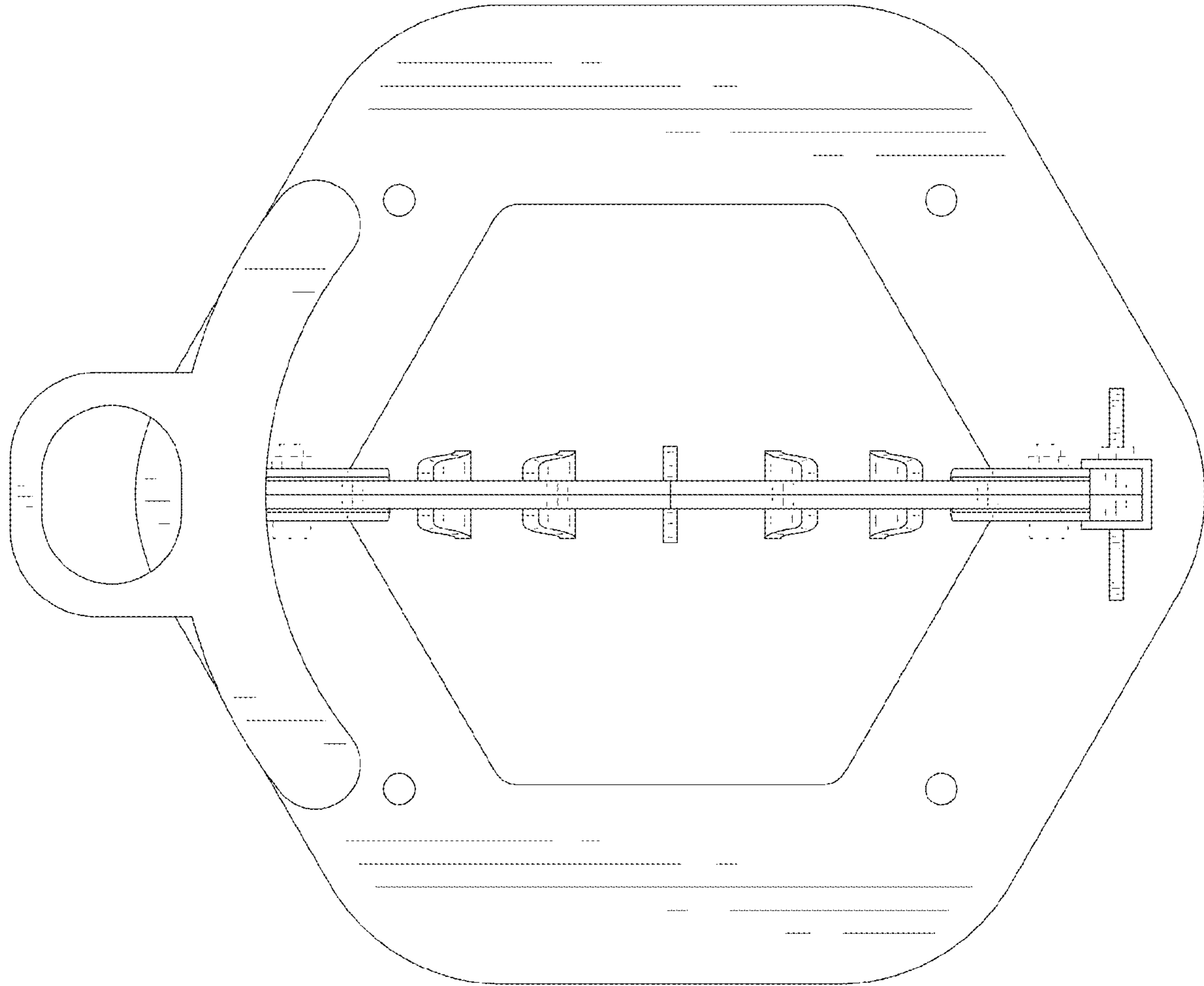


FIG. 7

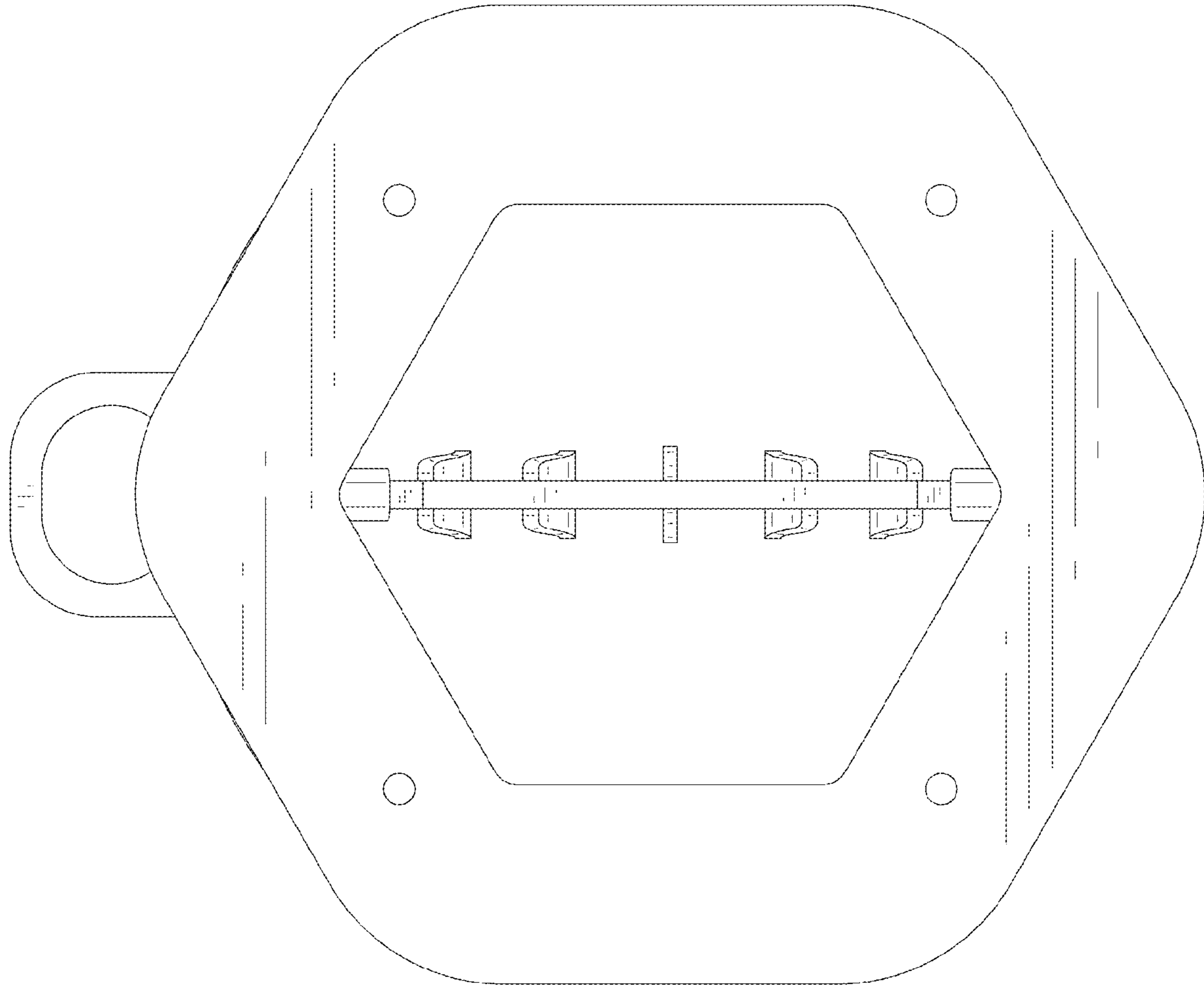


FIG. 8

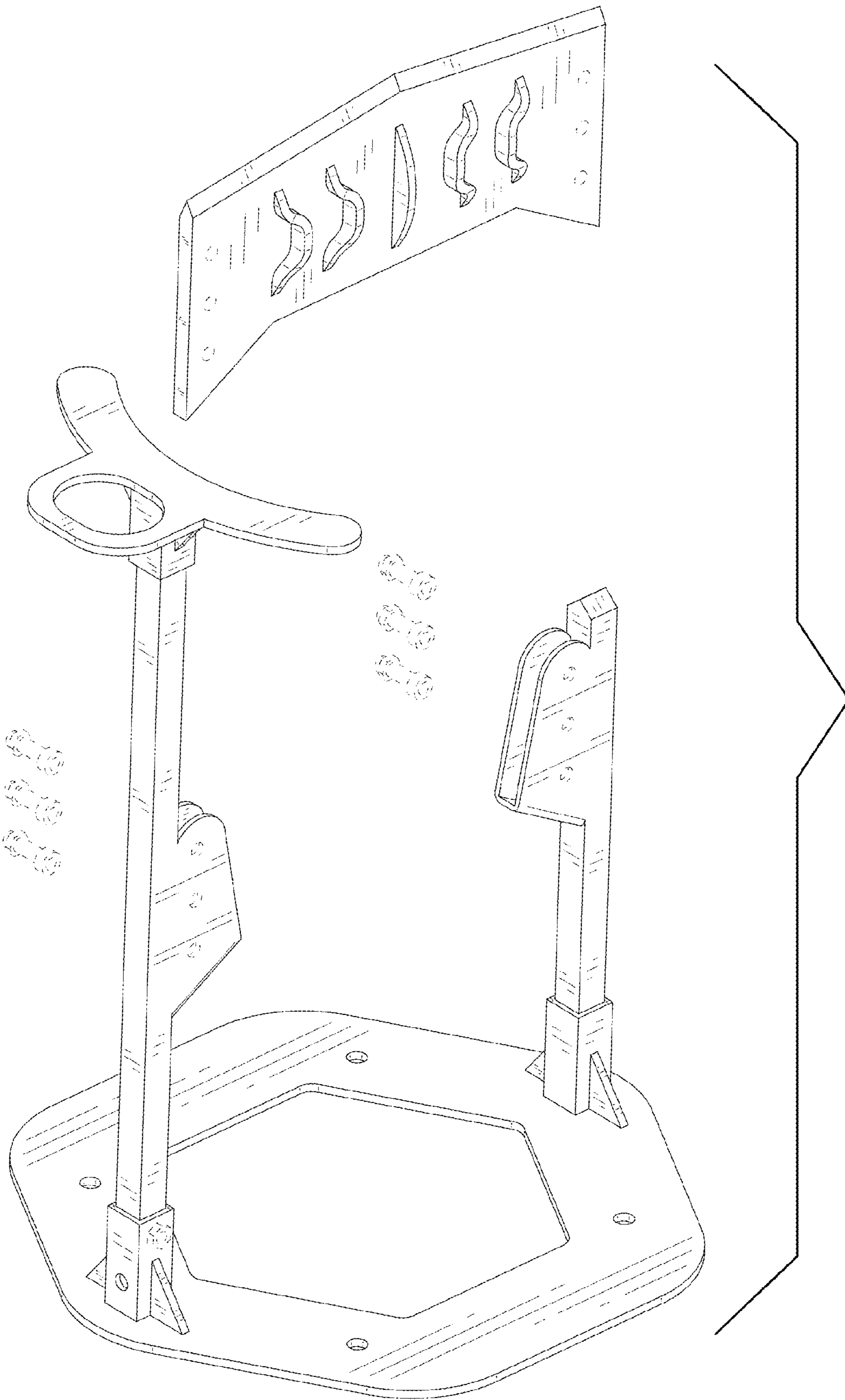


FIG. 9