



US00D988095S

(12) **United States Design Patent**
Wu

(10) **Patent No.:** **US D988,095 S**
(45) **Date of Patent:** **** Jun. 6, 2023**

(54) **WATERING GLOBE**

(71) Applicant: **Xue Wu**, Jiangsu (CN)

(72) Inventor: **Xue Wu**, Jiangsu (CN)

(**) Term: **15 Years**

(21) Appl. No.: **29/797,570**

(22) Filed: **Jul. 1, 2021**

(51) **LOC (14) Cl.** **08-01**

(52) **U.S. Cl.**
USPC **D8/1**

(58) **Field of Classification Search**
USPC D23/212, 215, 367; D21/628; D8/1, 2
CPC A45D 19/00; A45D 33/02; A01G 25/14;
A47G 2019/122
See application file for complete search history.

(56) **References Cited**

U.S. PATENT DOCUMENTS

| | | | | |
|---------------|---------|-------------|-------|-----------------------|
| RE21,452 E * | 5/1940 | Allison | | F21V 21/10 D26/101 |
| 4,037,361 A * | 7/1977 | Murphy | | A01G 29/00 47/48.5 |
| D310,696 S * | 9/1990 | Satoh | | D21/586 |
| D311,559 S * | 10/1990 | Satoh | | 428/17 |
| D311,560 S * | 10/1990 | Satoh | | D21/586 |
| D413,001 S * | 8/1999 | Nowosielski | | D26/101 |
| D417,596 S * | 12/1999 | Crowder | | D8/1 |
| D427,028 S * | 6/2000 | Zinger | | D8/1 |
| D448,632 S * | 10/2001 | D'eath | | D8/1 |
| D579,281 S * | 10/2008 | Miller | | D8/1 |
| D659,491 S * | 5/2012 | Hausch | | D8/1 |
| D776,994 S * | 1/2017 | Herrmann | | D8/1 |
| D804,918 S * | 12/2017 | Lipford | | D8/1 |
| D848,096 S * | 5/2019 | Loebach | | D32/29.1 |
| D862,806 S * | 10/2019 | Liu | | D30/158 |
| D873,526 S * | 1/2020 | Lesina | | D1/115 |

| | | | | |
|--------------|---------|---------|-------|---------|
| D915,576 S * | 4/2021 | Gobber | | D23/367 |
| D923,443 S * | 6/2021 | Banda | | D8/38 |
| D928,513 S * | 8/2021 | Bursley | | D4/124 |
| D950,043 S * | 4/2022 | Gu | | D24/108 |
| D968,815 S * | 11/2022 | Crane | | D4/124 |
| D973,839 S * | 12/2022 | Wei | | D23/213 |

OTHER PUBLICATIONS

Adabocute Plant Watering Globes. Catalogue [Online]. Amazon Standard ID# B09B7DPLRD. Amazon.com 2021. [Date First Available on Jul. 26, 2021][Retrieved on Feb. 24, 2023]. Retrieved from the Internet: <URL:https://www.amazon.com/Adabocute-Plant-Watering-Globes-Outdoor/dp/B09B7DPLRDP> (Year: 2021).*

(Continued)

Primary Examiner — Janice Hallmark
Assistant Examiner — Adedoyin Taiwo Odeyale
(74) *Attorney, Agent, or Firm* — ScienBiziP, P.C.

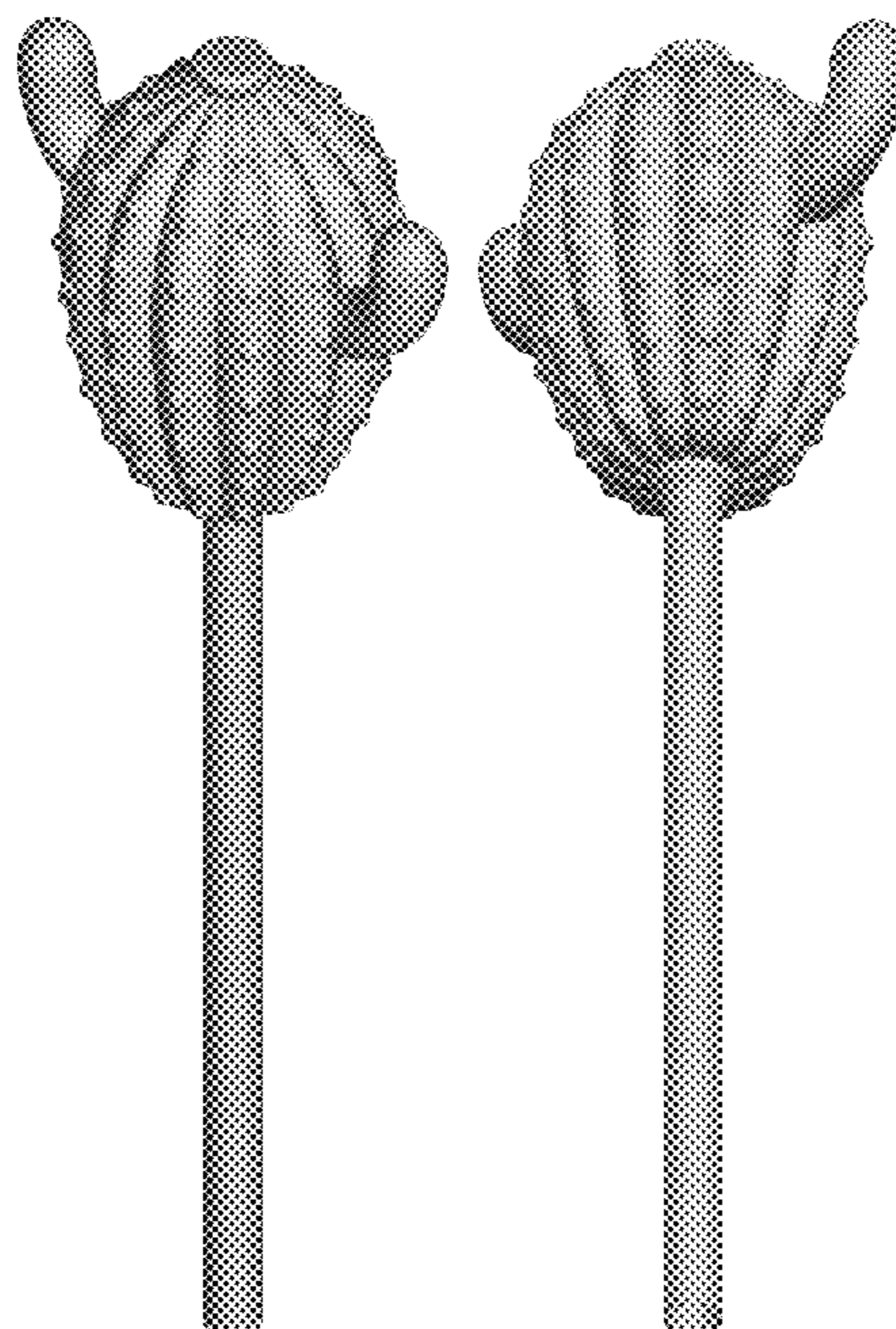
(57) **CLAIM**

The ornamental design for a watering globe, as shown and described.

DESCRIPTION

FIG. 1 is a front, right, and top perspective view of a watering globe, showing my design.
FIG. 2 is a rear, left, and bottom perspective view thereof.
FIG. 3 is a front elevation view thereof.
FIG. 4 is a rear elevation view thereof.
FIG. 5 is a left side elevation view thereof.
FIG. 6 is a right side elevation view thereof.
FIG. 7 is a top plan view thereof; and,
FIG. 8 is a bottom plan view thereof.

1 Claim, 8 Drawing Sheets



(56)

References Cited

OTHER PUBLICATIONS

Cactus Theme Self Watering Plant Glass. Catalogue [Online]. Etsy.com 2021. [Earliest Review Date on Sep. 26, 2021] [Retrieved on Feb. 24, 2023]. Retrieved from the Internet: <URL:<https://www.etsy.com/listing/1016766202/cactus-theme-self-watering-plant-hand>> (Year: 2021).*

ZSHLXM CC001 Watering Globes. Catalogue [Online]. Amazon Standard ID# B0BQG2CTP5. Amazon.com 2023. [Earliest Review Date on Feb. 17, 2023] [Retrieved on Feb. 24, 2023]. Retrieved from the Internet: <URL:<https://www.amazon.com/Watering-Globes-Self-Globes-3-Pack-Bulbs-Water-Seepage-ZSHLXM/dp/B0BQG2CTP5>> (Year: 2023).*

* cited by examiner

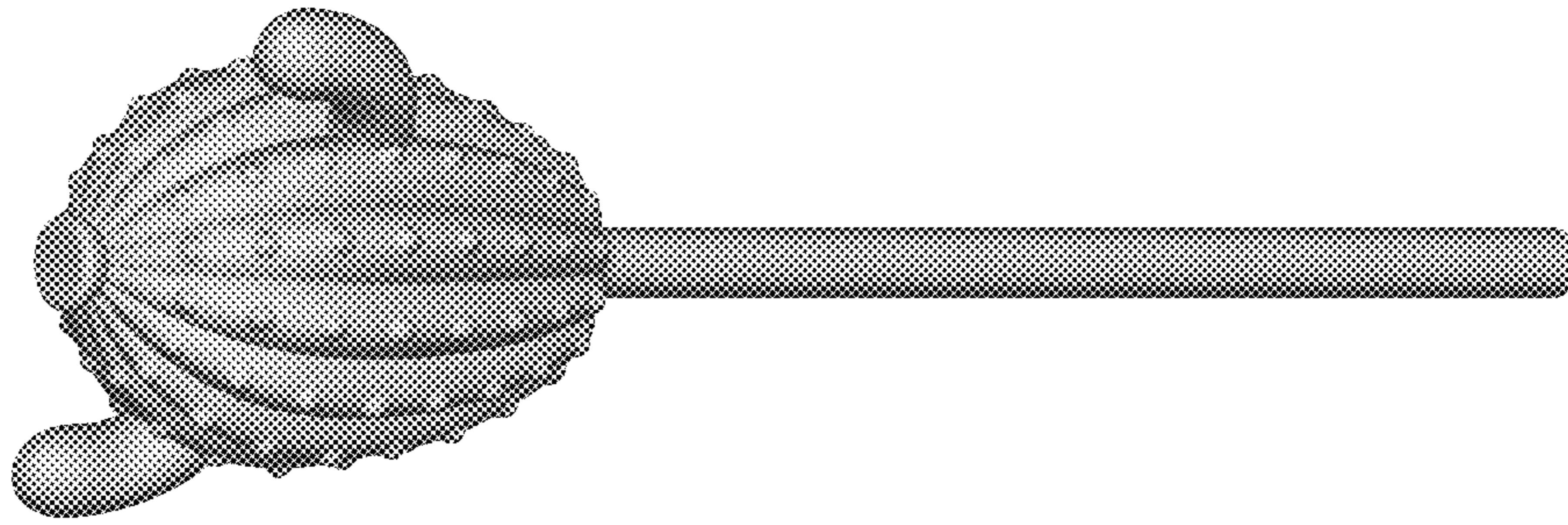


FIG. 1

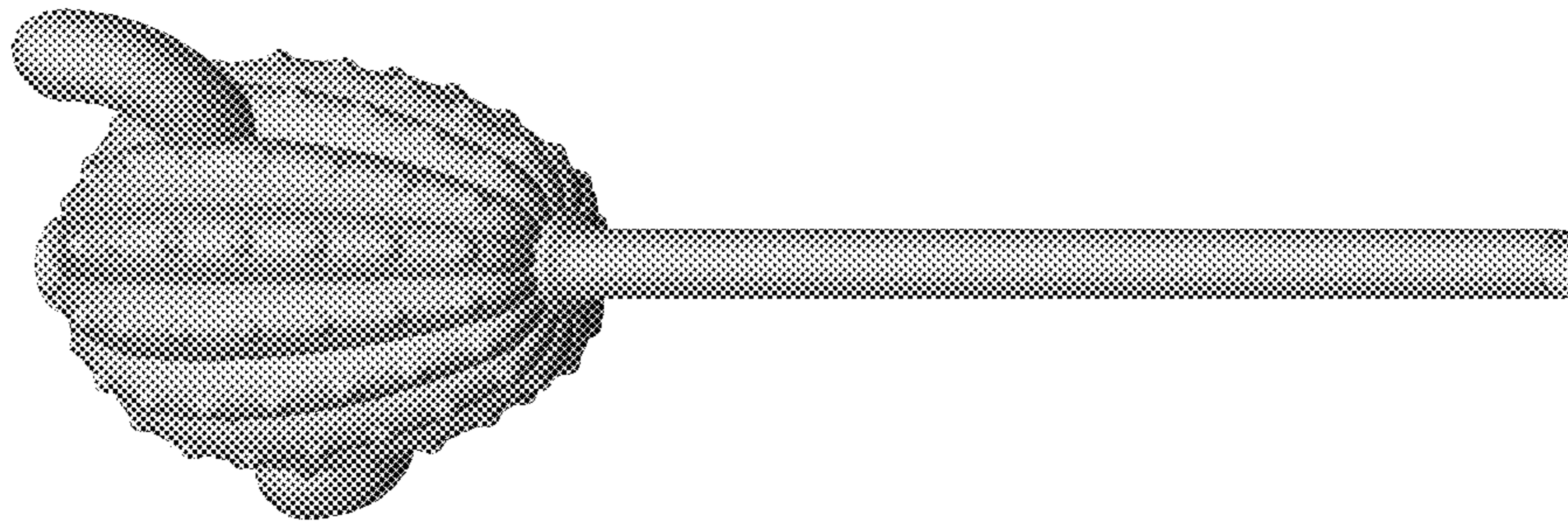


FIG. 2

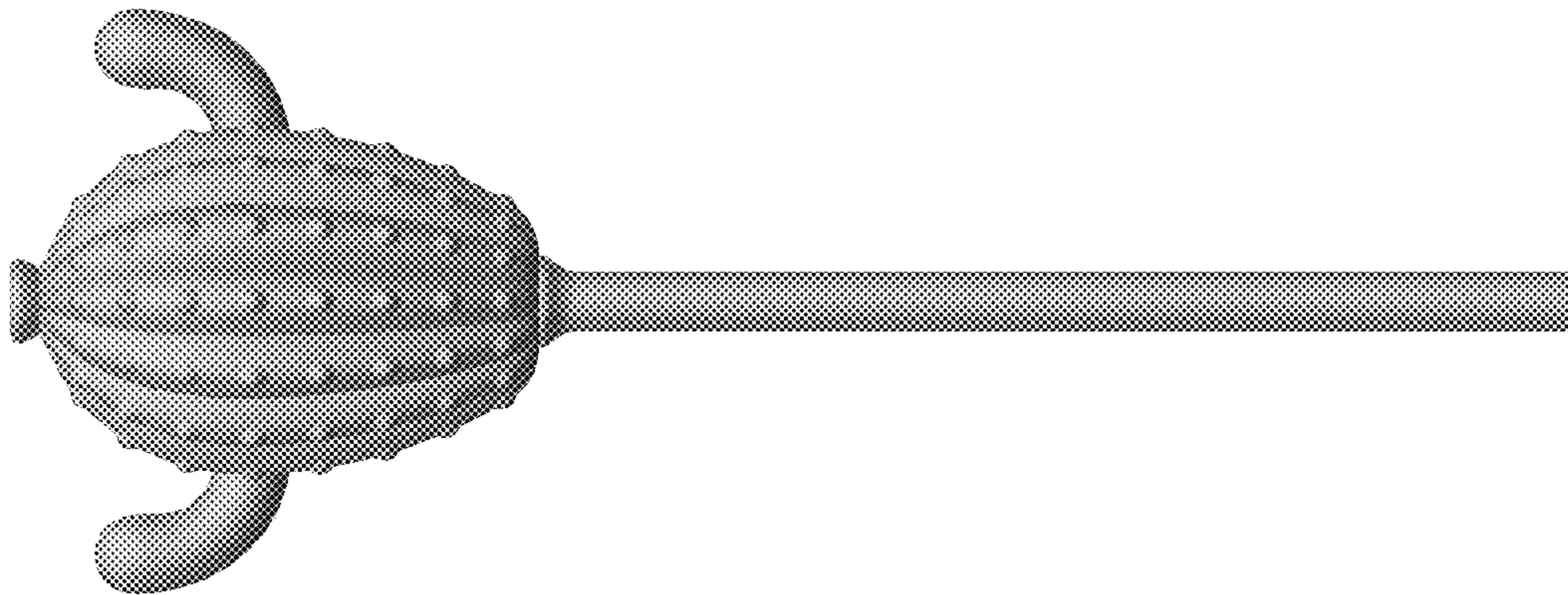


FIG. 3

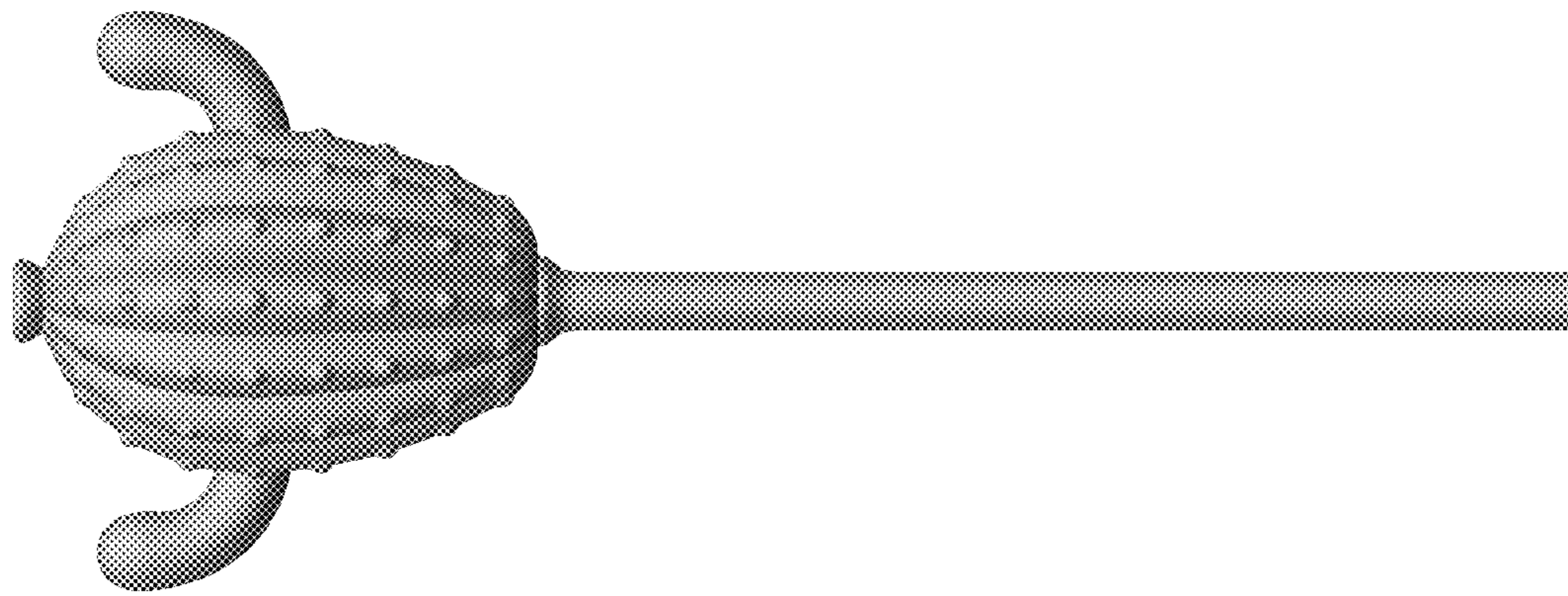


FIG. 4

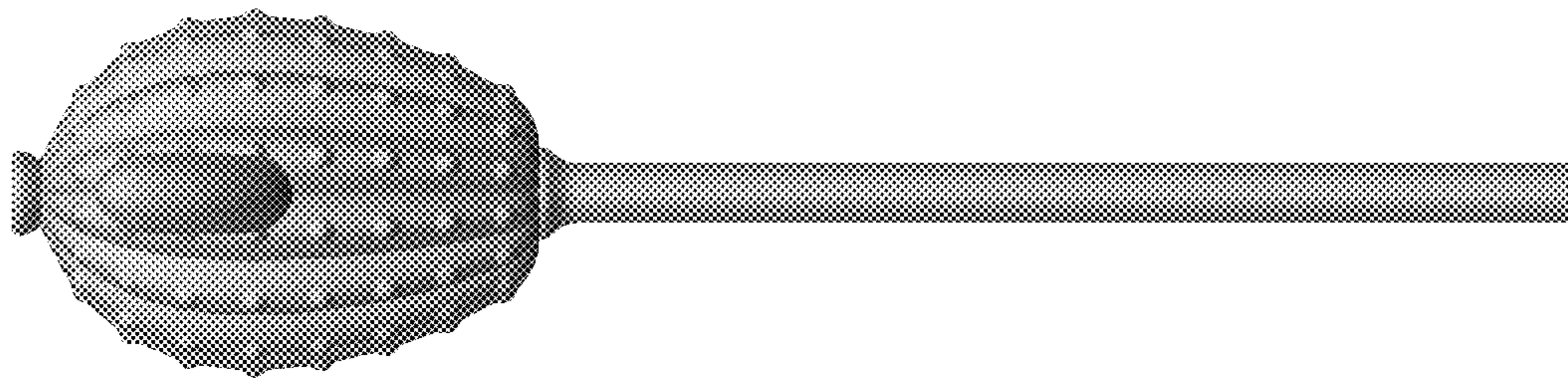


FIG. 5



FIG. 6

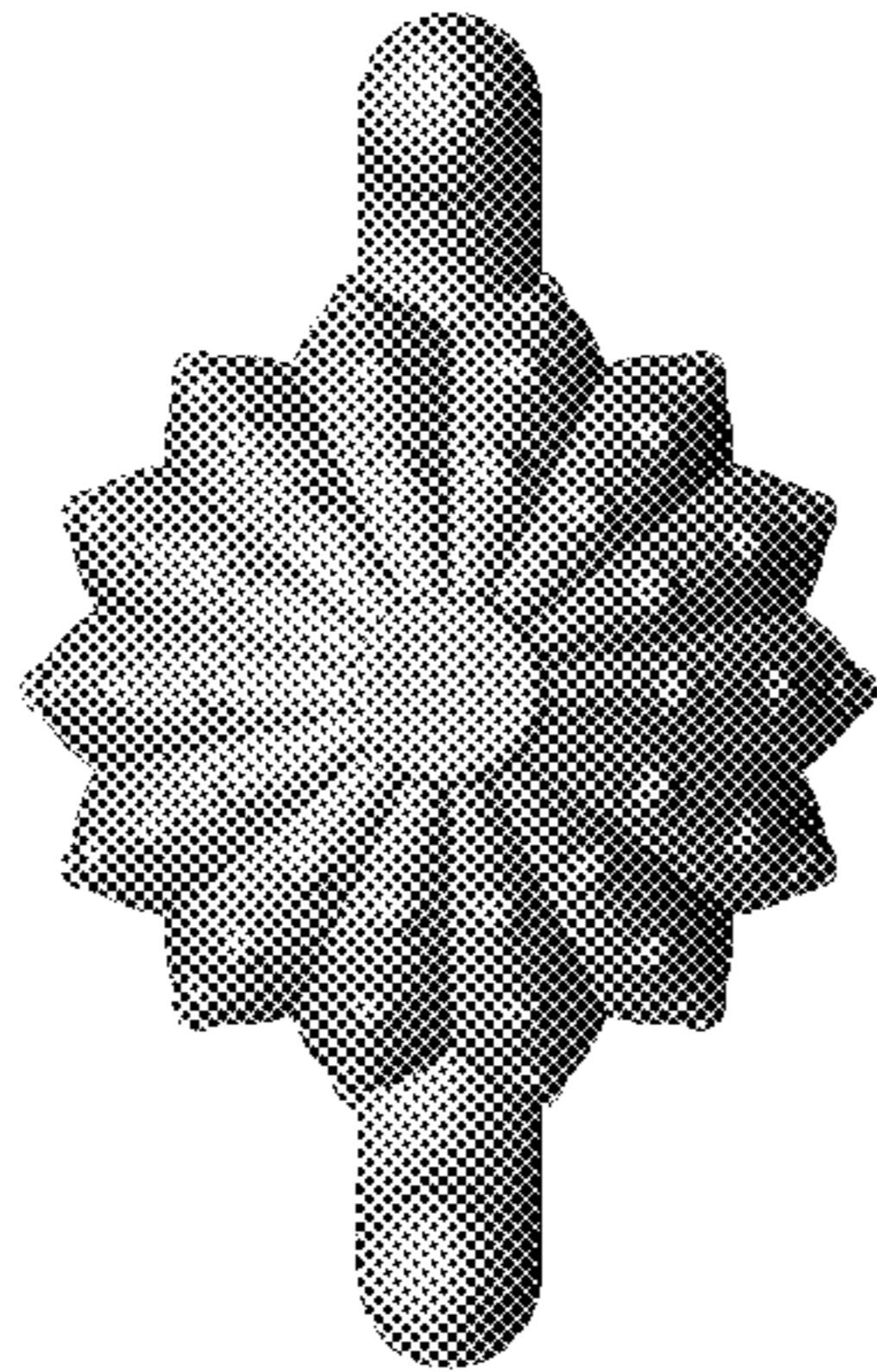


FIG. 7

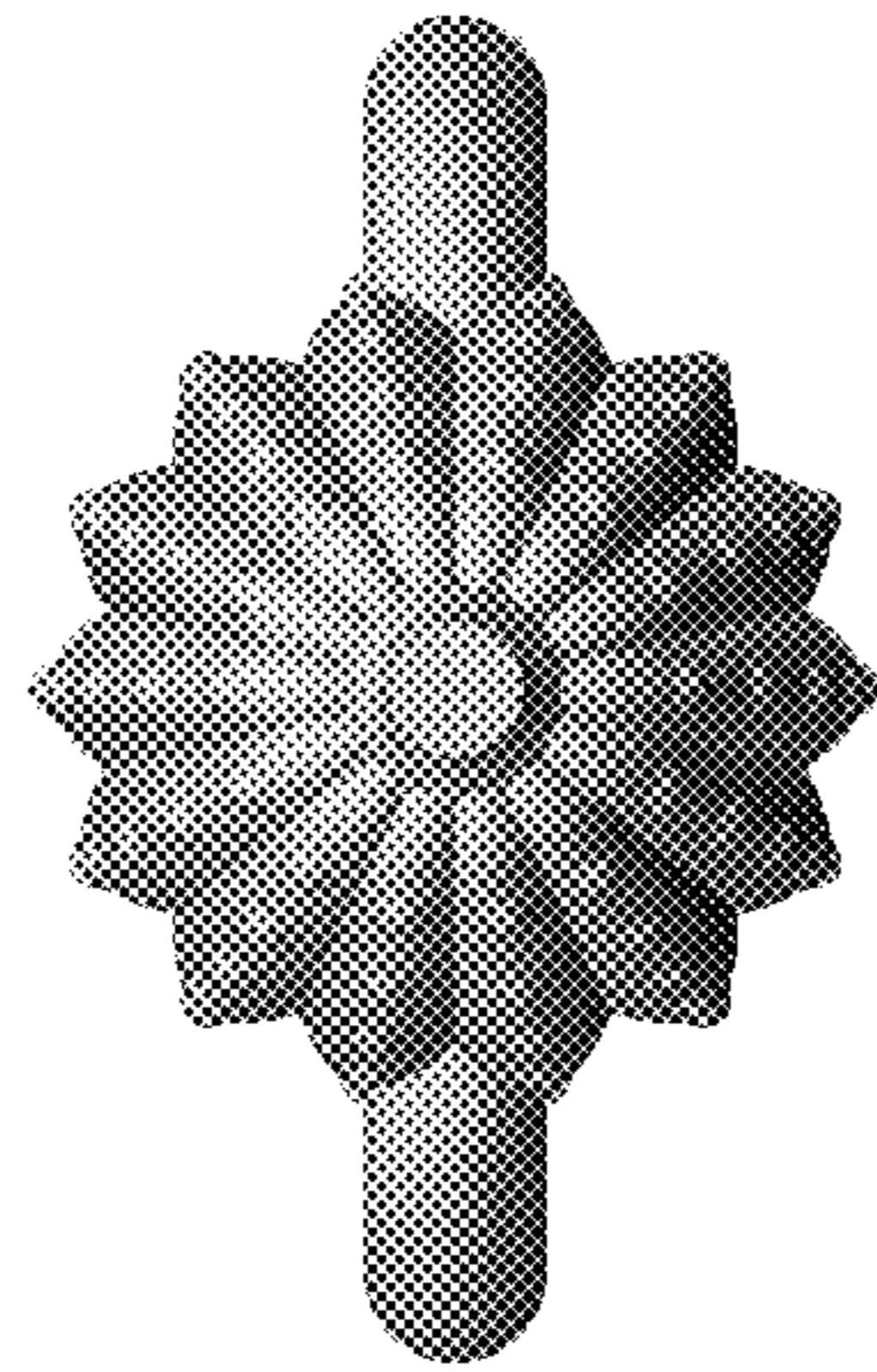


FIG. 8