



US00D988094S

(12) **United States Design Patent** (10) **Patent No.:** **US D988,094 S**
Morris et al. (45) **Date of Patent:** **** Jun. 6, 2023**

(54) **CUPHOLDER**
(71) Applicant: **YETI Coolers, LLC**, Austin, TX (US)
(72) Inventors: **Liza Morris**, Austin, TX (US); **Max Burtner**, Austin, TX (US)
(73) Assignee: **YETI Coolers, LLC**, Austin, TX (US)
(**) Term: **15 Years**

5,259,580 A 11/1993 Anderson et al.
5,295,650 A 3/1994 Brandt
D351,767 S 10/1994 Gambino
D352,213 S 11/1994 Keven
D353,082 S * 12/1994 Keven D12/420
D359,425 S 6/1995 Meeker et al.
5,454,537 A 10/1995 Meeker et al.
(Continued)

(21) Appl. No.: **29/779,327**
(22) Filed: **Apr. 19, 2021**

FOREIGN PATENT DOCUMENTS

CA 68488 5/1991
CA 165623 S 8/2016
(Continued)

(51) **LOC (14) Cl.** **07-06**
(52) **U.S. Cl.**
USPC **D7/701**
(58) **Field of Classification Search**
USPC D7/701-708; D12/419, 420
CPC B60N 3/10; B60N 3/102; B60N 3/103;
B60N 3/105; B60N 3/106; B60N 3/18;
A47G 23/0216; A47G 23/02; A47G
23/0208; A47G 23/0225; A47G 23/0241;
A47G 23/0266
See application file for complete search history.

OTHER PUBLICATIONS

May 10, 2022—(JP) Notice of Allowance—App. No. 2021-022684.
(Continued)

Primary Examiner — Terry A Wallace
(74) *Attorney, Agent, or Firm* — Banner & Witcoff, Ltd.

(57) **CLAIM**

The ornamental design for a cupholder, as shown and described.

DESCRIPTION

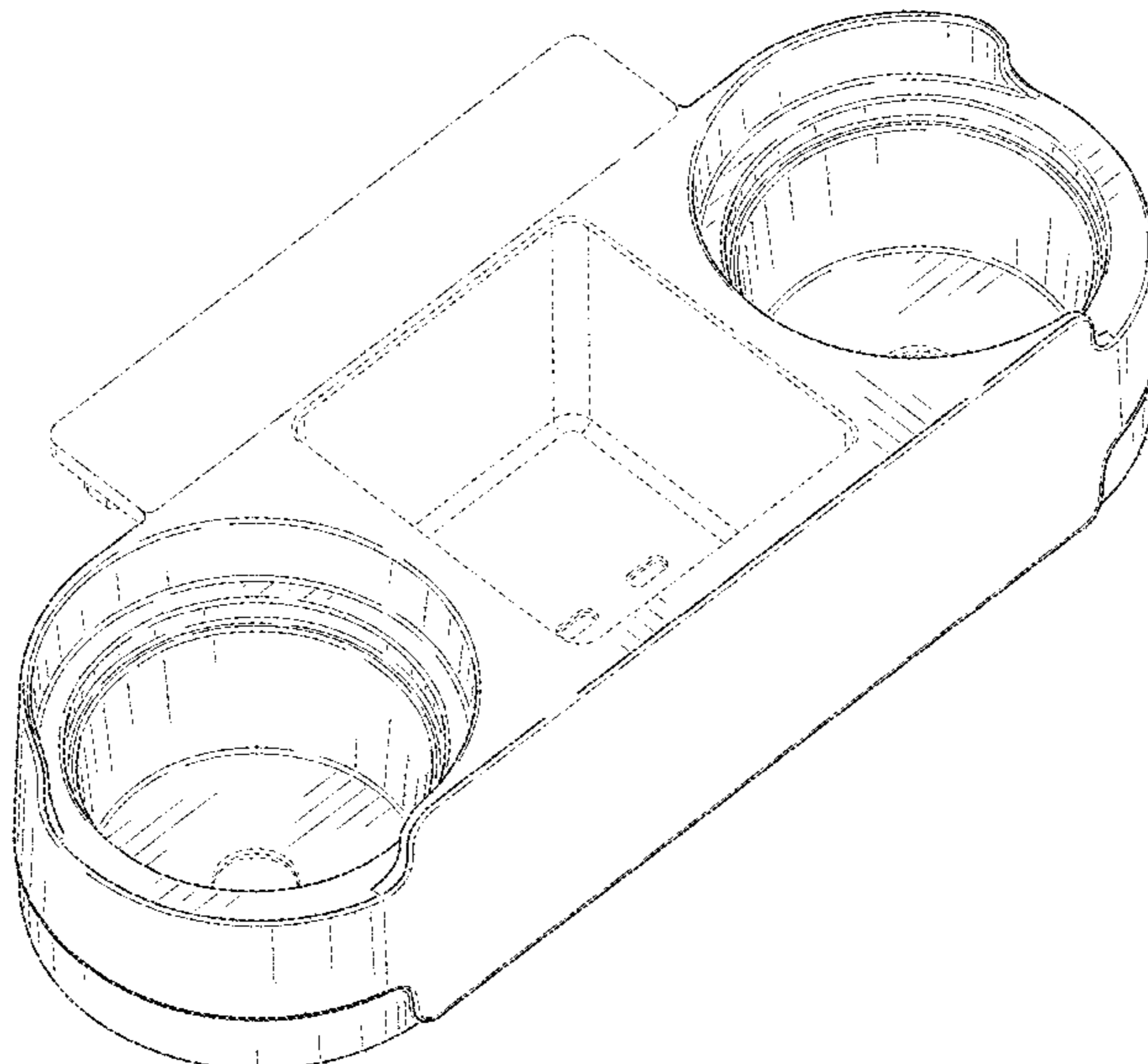
FIG. 1 is a front perspective view of a cupholder showing our new design;
FIG. 2 is a front view thereof;
FIG. 3 is a rear view thereof;
FIG. 4 is a right side view thereof;
FIG. 5 is a left side view thereof;
FIG. 6 is a top view thereof; and,
FIG. 7 is a bottom view thereof.
The broken lines immediately adjacent to the shaded area define the bounds of the claimed design and form no part thereof. The broken lines depicting the remainder of the cupholder form no part of the claimed design.

(56) **References Cited**

U.S. PATENT DOCUMENTS

2,305,965 A * 12/1942 Henkel A47G 23/02
211/75
D154,468 S * 7/1949 Foulke D7/701
2,574,250 A * 11/1951 Dalton B60N 3/102
248/242
D168,480 S * 12/1952 Shaeffer D27/126
D191,715 S * 11/1961 Lugowski D7/701
3,226,074 A 12/1965 Coe
3,850,398 A 11/1974 Kantor
D248,909 S 8/1978 Frazian
D262,760 S 1/1982 Adams et al.
4,606,523 A 8/1986 Statz et al.
5,170,980 A 12/1992 Burrows et al.
5,219,140 A 6/1993 Spykerman

1 Claim, 5 Drawing Sheets



(56)

References Cited

U.S. PATENT DOCUMENTS

5,511,755 A 4/1996 Spykerman
 D388,050 S 12/1997 Diem
 D397,278 S 8/1998 Wang
 5,915,561 A 6/1999 Lorenzana et al.
 D413,769 S 9/1999 Mason
 D422,261 S 4/2000 Basso et al.
 6,050,468 A 4/2000 Kelley
 D426,431 S 6/2000 Kuroski
 D435,196 S 12/2000 Gregor et al.
 6,170,787 B1 1/2001 Morgan
 D442,038 S 5/2001 Goldsborough
 D442,442 S 5/2001 Goldsborough
 D442,443 S 5/2001 Pemndocaj et al.
 D444,683 S 7/2001 Corrion
 D459,956 S 7/2002 Thomas
 6,520,366 B1 2/2003 Bradley et al.
 D485,529 S * 1/2004 Schoenberger D12/419
 D496,828 S 10/2004 Lackey
 D527,953 S 9/2006 Le Gal
 7,140,507 B2 11/2006 Maldonado et al.
 7,226,029 B2 6/2007 Hoshi
 7,328,876 B2 2/2008 Jones
 7,344,056 B2 3/2008 Shelmon et al.
 7,389,608 B1 6/2008 MacKay
 7,487,945 B2 2/2009 Liu et al.
 D635,832 S * 4/2011 Bergin D7/701
 D646,441 S 10/2011 Chance et al.
 D650,639 S 12/2011 Freese et al.
 8,091,749 B2 1/2012 Stautzenberger, Sr.
 8,123,069 B1 2/2012 Mumaw et al.
 D682,485 S 5/2013 Wygle
 D706,583 S 6/2014 Clark
 D707,503 S 6/2014 Dorn et al.
 8,827,108 B2 9/2014 Tsunoda
 8,915,412 B2 12/2014 Abro et al.
 D721,545 S 1/2015 Hollander
 9,064,434 B2 6/2015 Alford
 9,316,428 B2 4/2016 Mech
 9,428,092 B2 8/2016 Bosma et al.
 D777,528 S * 1/2017 Landphere D12/419
 9,848,691 B1 12/2017 Pedersen
 9,913,464 B1 3/2018 Stokes
 D819,489 S 6/2018 Tao
 D821,165 S 6/2018 Guerdrum et al.
 D823,654 S 7/2018 Harris
 D824,226 S 7/2018 Brod
 D824,730 S 8/2018 Guerdrum et al.
 D824,736 S 8/2018 Yang

10,054,354 B1 8/2018 Kennedy et al.
 10,130,089 B2 11/2018 Pippins
 10,316,574 B2 6/2019 Lubotta
 10,648,722 B2 5/2020 Smith
 2004/0099703 A1 5/2004 Schoenberger
 2004/0129852 A1 7/2004 Giampavolo
 2005/0127081 A1 6/2005 Leba et al.
 2006/0075757 A1 4/2006 Yuen
 2010/0090079 A1 4/2010 Choi
 2011/0056233 A1 3/2011 Flaker et al.
 2016/0135559 A1 5/2016 Scally
 2018/0186550 A1 7/2018 Morine et al.
 2019/0161240 A1 5/2019 Ahlstrom et al.

FOREIGN PATENT DOCUMENTS

CN 304211851 7/2017
 CN 205597416 11/2017
 CN 304341416 11/2017
 CN 304456135 1/2018
 CN 304776058 8/2018
 CN 208730843 U 4/2019
 CN 305351066 9/2019
 CN 305451423 11/2019
 CN 305549711 1/2020
 CN 305567465 1/2020
 CN 305567510 1/2020
 EM 001103113-0001 3/2009
 EM 001294607-0001 9/2011
 EM 003086701-0001 4/2016
 GB 6072107 9/2019
 JP D1223118 11/2004
 JP D1592149 12/2017
 KR 300227533.0000 9/1998
 KR 300848614.0000 4/2016
 KR 301026899.0000 10/2019
 WO 06009537 A1 1/2006
 WO D067390-003 2/2006
 WO D067390-004 2/2006

OTHER PUBLICATIONS

May 10, 2022—(JP) Notice of Allowance—App. No. 2021-022685.
 Double Cup Holder Cooler Accessory.
 K2—Double Cup Holder—Black.
 RTIC & Yeti Cooler Drink Holder—Universal Fit.
 Umbrella & Drink Holder for Yeti and RTIC Coolers.
 Yeti YTBH—Beverage Holder.

* cited by examiner

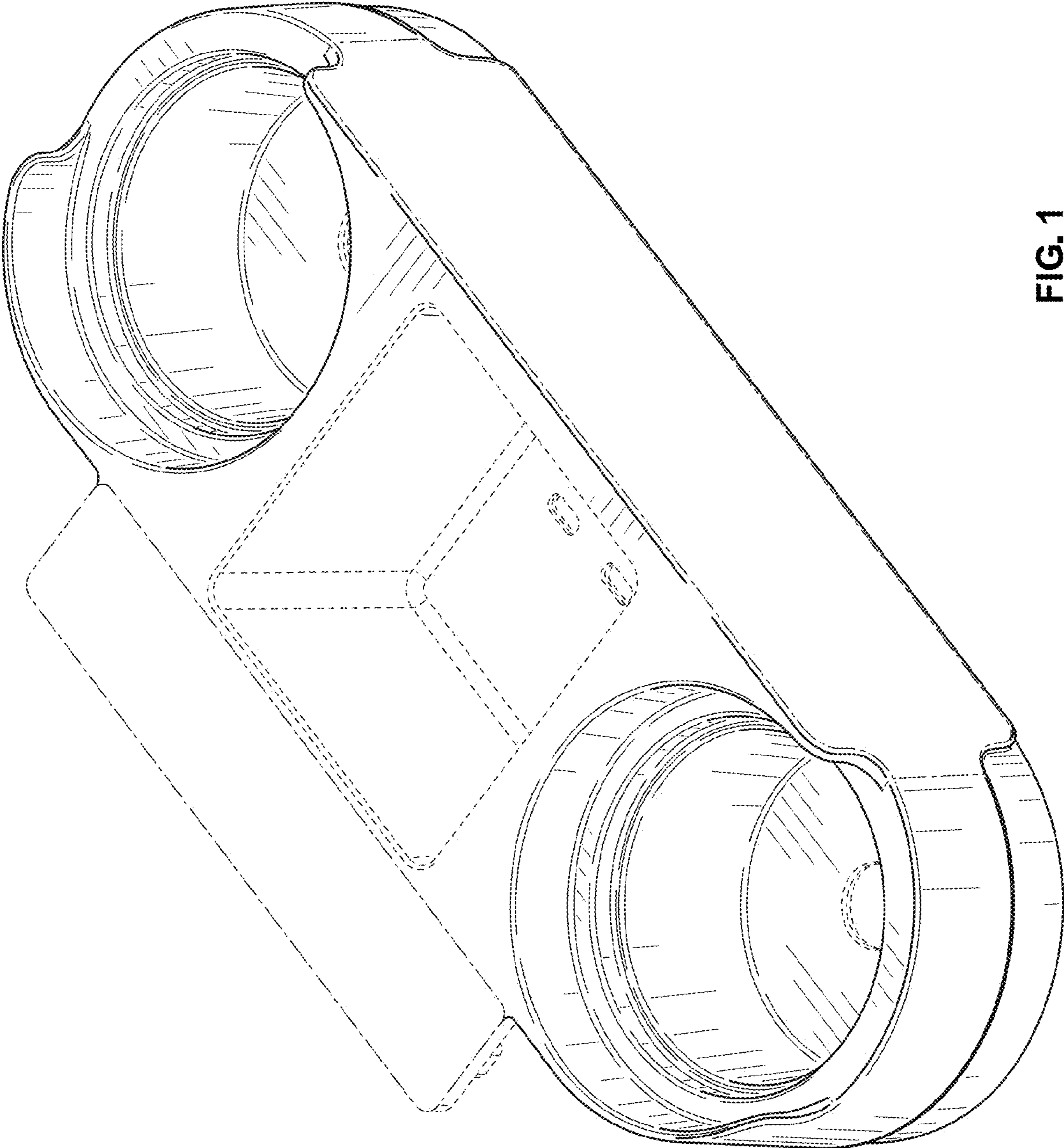


FIG. 1

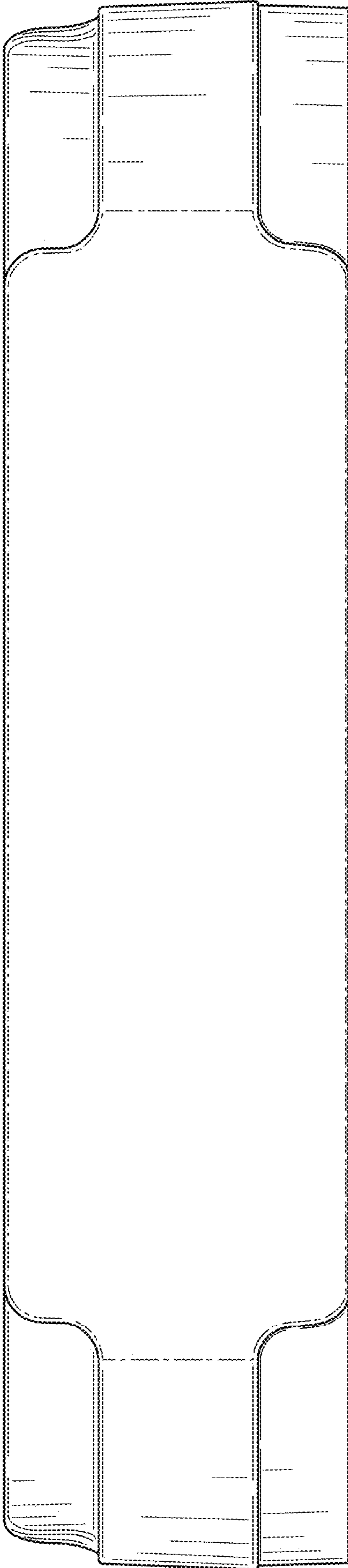


FIG. 2

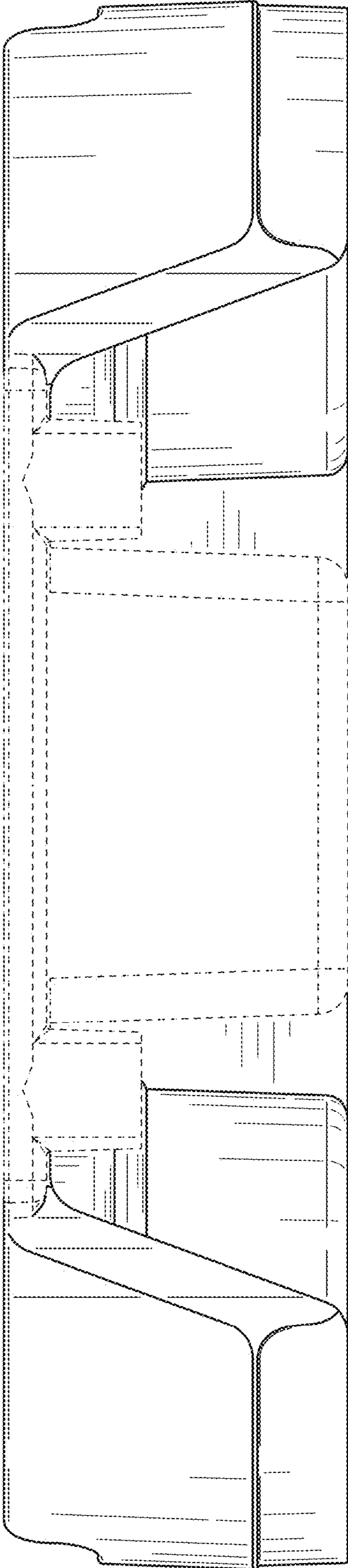


FIG. 3

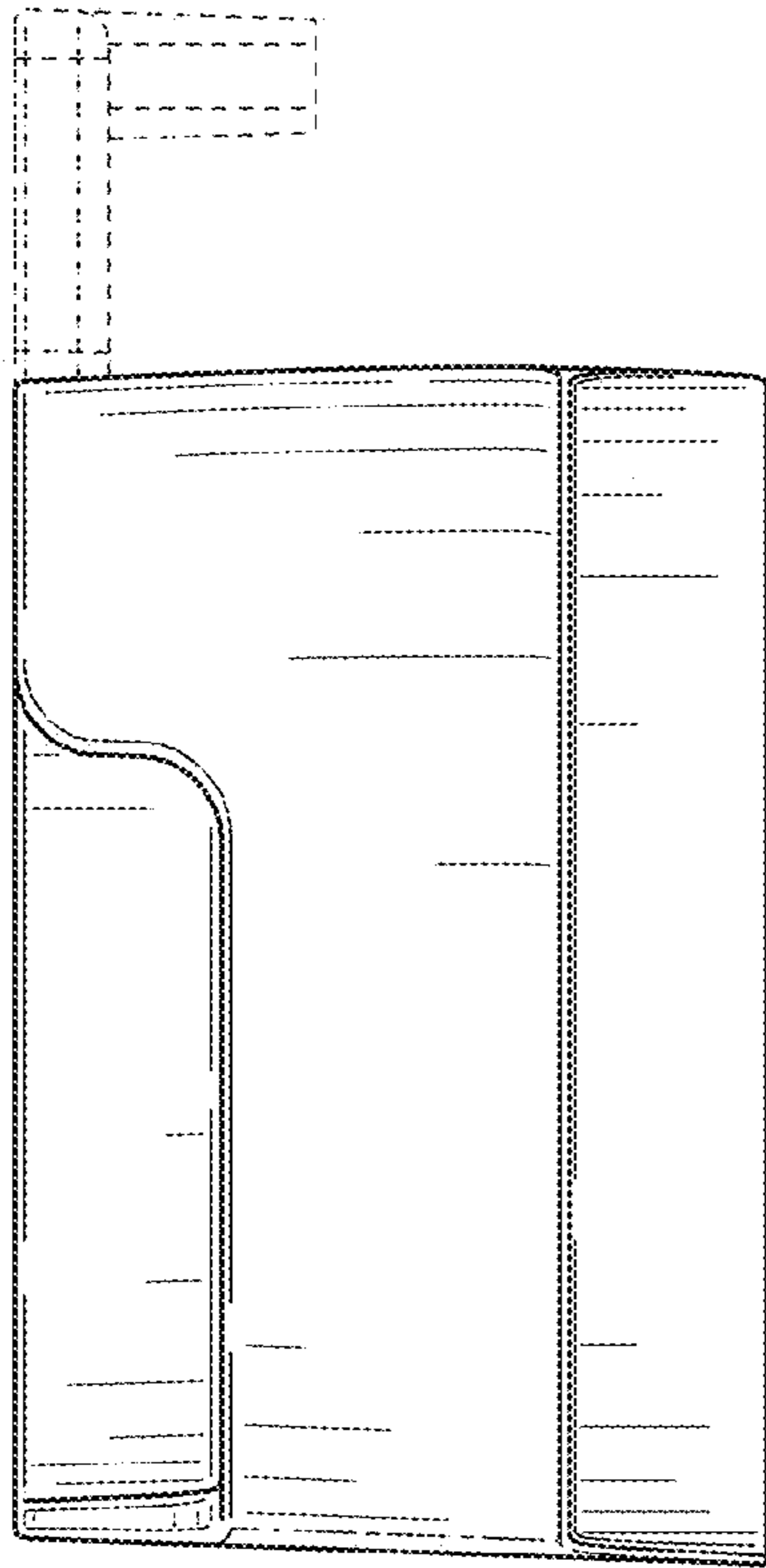


FIG. 4

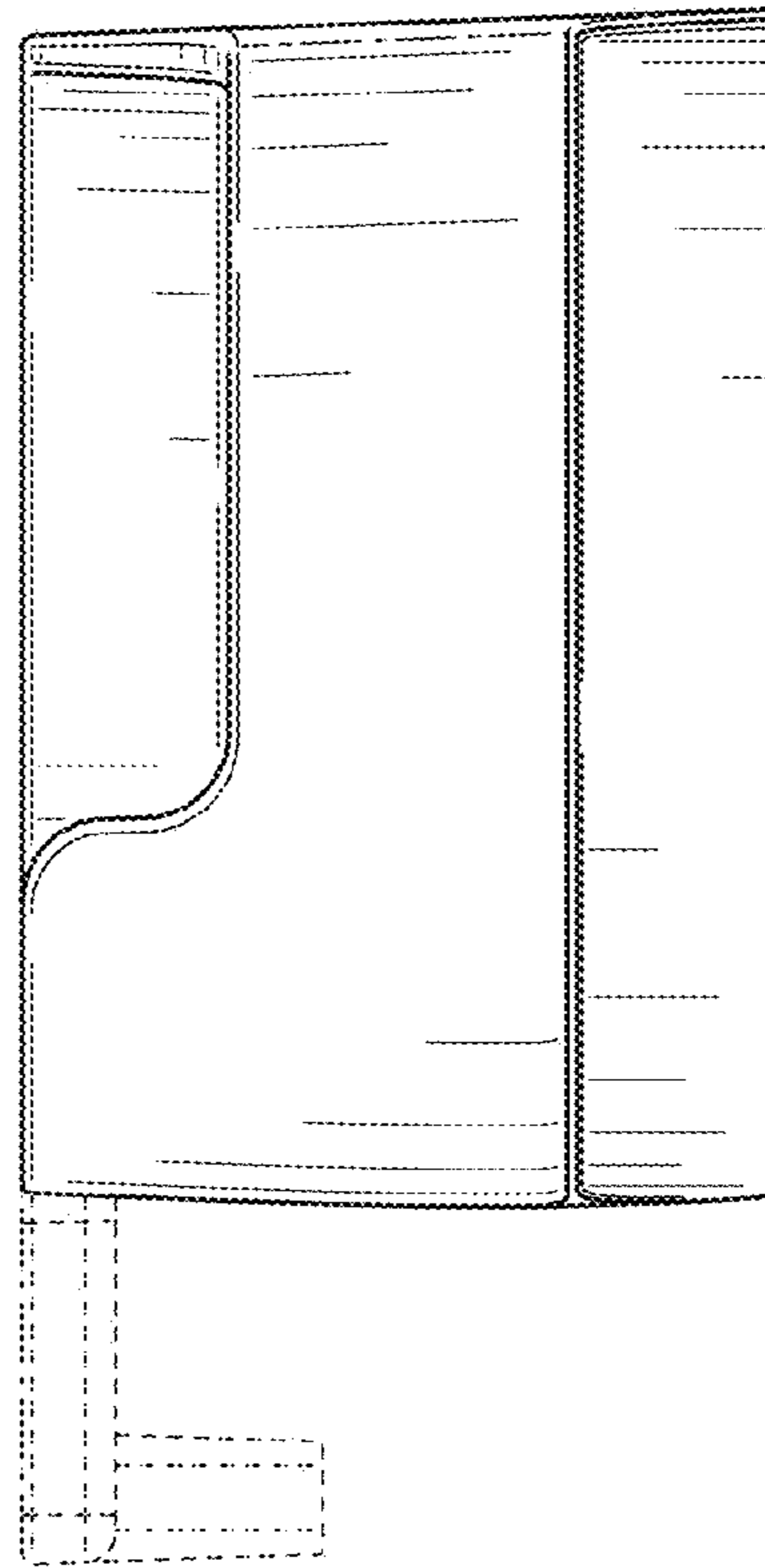


FIG. 5

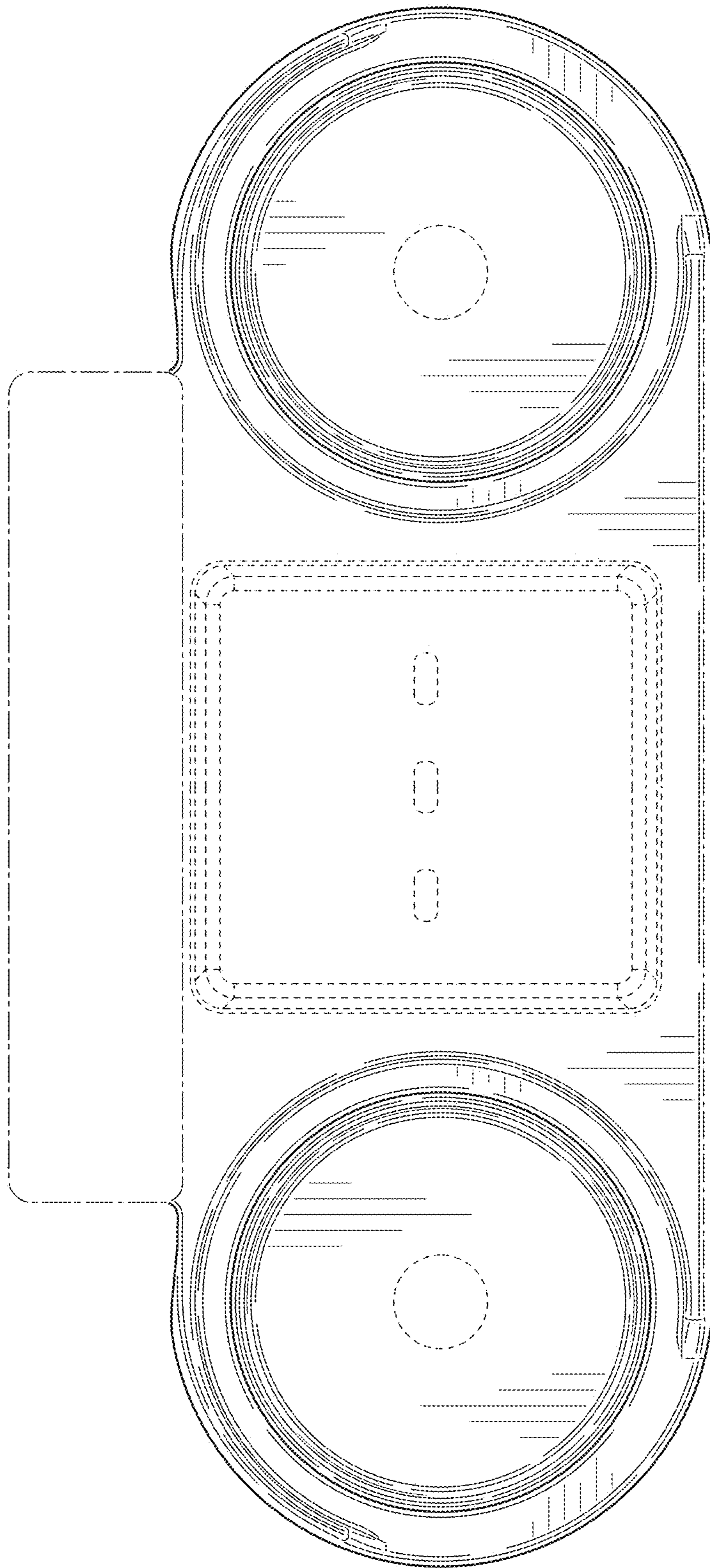


FIG. 6

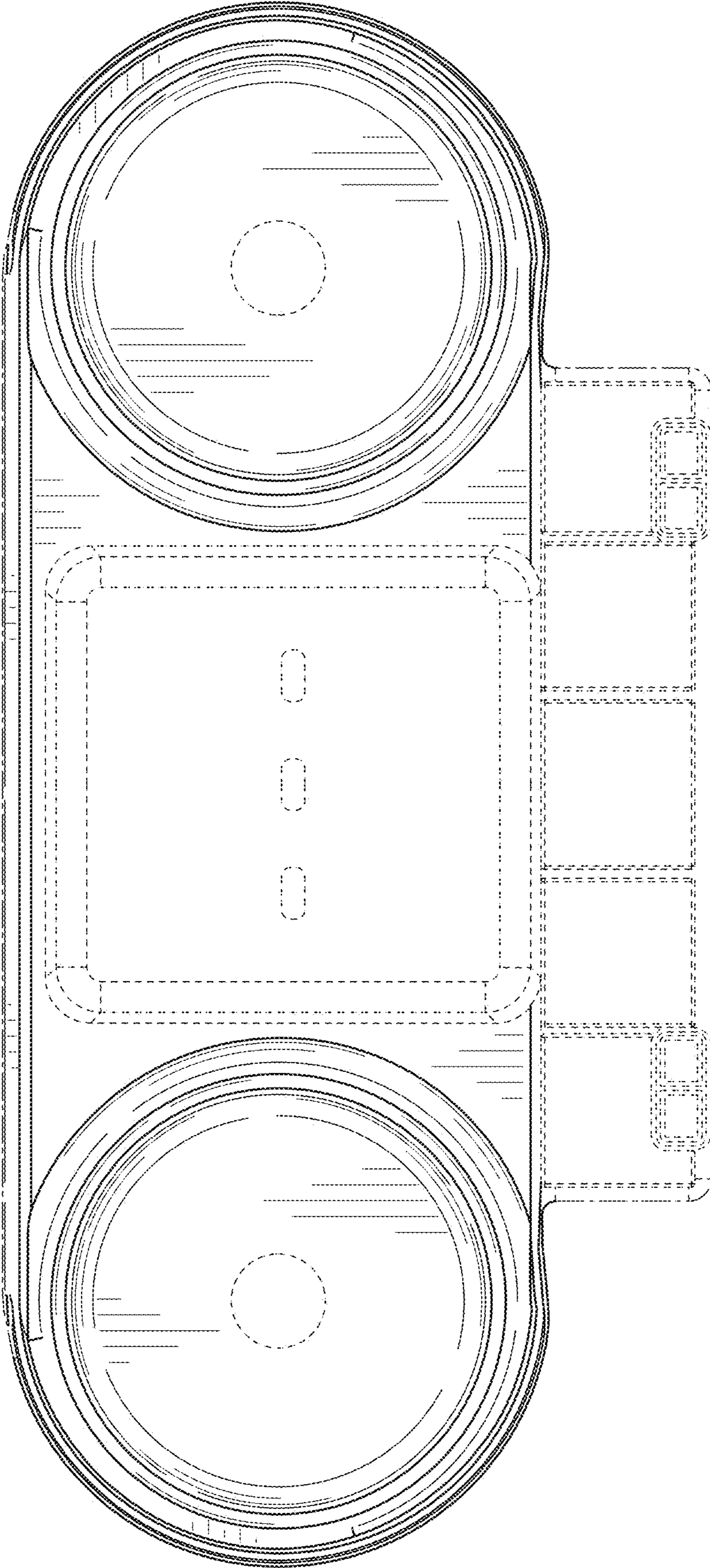


FIG. 7