



US00D988091S

(12) **United States Design Patent**  
**Bacher et al.**

(10) **Patent No.:** **US D988,091 S**  
(45) **Date of Patent:** **\*\* Jun. 6, 2023**

(54) **EATING UTENSIL**

(71) Applicant: **MASONTOPS, INC.**, Toronto (CA)

(72) Inventors: **Michael Bacher**, Toronto (CA); **Philip Baron**, Toronto (CA); **Brett Molnar**, Toronto (CA)

(73) Assignee: **MASONTOPS IP HOLDINGS, INC.**, Toronto (CA)

(\*\*) Term: **15 Years**

(21) Appl. No.: **29/799,869**

(22) Filed: **Jul. 16, 2021**

(51) **LOC (14) Cl.** ..... **07-03**

(52) **U.S. Cl.**  
USPC ..... **D7/655**; D7/653; D7/654

(58) **Field of Classification Search**  
USPC ..... D7/401.2, 506, 642-656, 669, 675-677, D7/683, 688-689, 691, 107; D8/300-301; D22/117-118; 16/110.1, 16/407, 430, 110; 30/147-150, 322-328; D4/104-114; 15/167.1  
CPC ..... A47G 21/02-026; A47G 21/04; A47G 21/045; A47J 43/28; A47J 43/281; A47J 43/282; A47J 43/287; A61F 13/10; A61J 7/0023; A63H 33/00; B25G 1/00; B25G 1/01; B25G 1/02; B25G 3/00; B65D 75/56; B65D 75/563; B65D 75/566; B67B 7/00; B67B 7/724; B67B 7/73  
See application file for complete search history.

(56) **References Cited**

**U.S. PATENT DOCUMENTS**

D166,914 S 6/1952 Hepner  
D172,480 S 6/1954 Silletti  
2,732,187 A 1/1956 Benedetto  
D193,018 S 6/1962 Larsen  
D231,721 S 6/1974 Pearson

D234,287 S 2/1975 Pearson  
3,968,591 A 7/1976 Pearson  
D257,757 S 1/1981 Acker  
D295,304 S \* 4/1988 Shibukawa ..... D21/581  
(Continued)

**FOREIGN PATENT DOCUMENTS**

CN 302300531 \* 1/2013  
CN 303988929 \* 12/2016  
(Continued)

**OTHER PUBLICATIONS**

Constructive Eating Utensils, Aug. 10, 2010, <https://www.amazon.co.uk/Constructive-Eating-81000-Construction-Utensils/dp/B000T0J0X0> (Year: 2010).\*  
(Continued)

*Primary Examiner* — Christian P. McLean  
*Assistant Examiner* — Nader Abadir  
(74) *Attorney, Agent, or Firm* — McAndrews, Held & Malloy, Ltd.

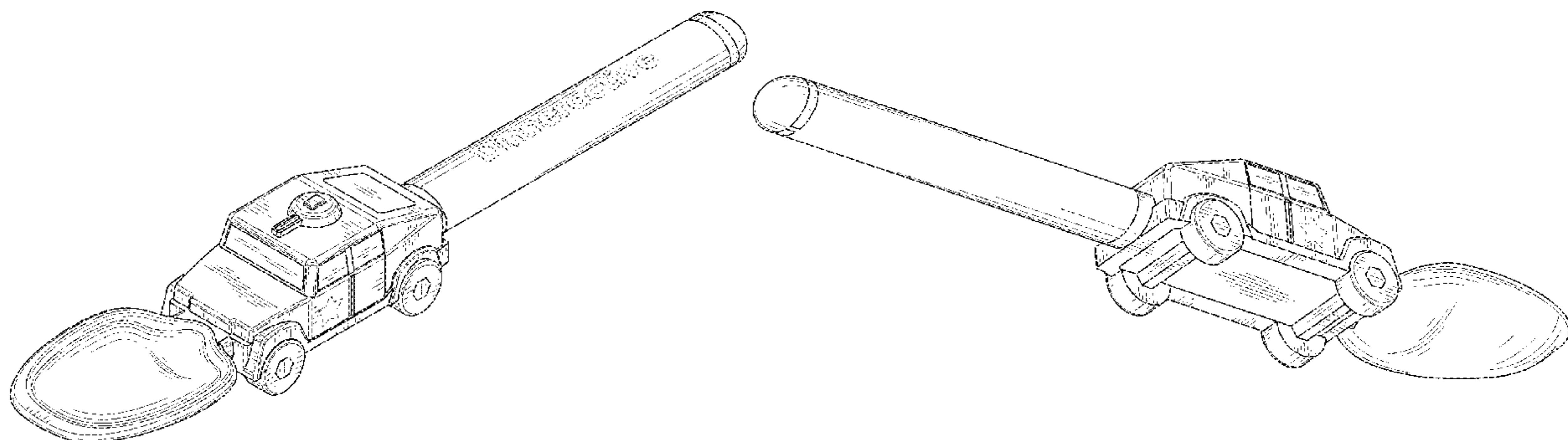
(57) **CLAIM**

The ornamental design for an eating utensil, as shown and described.

**DESCRIPTION**

FIG. 1 is top and front perspective view of an eating utensil showing our new design;  
FIG. 2 is a front elevation view thereof;  
FIG. 3 is a rear elevation view thereof;  
FIG. 4 is a left side elevation view thereof;  
FIG. 5 is a right side elevation view thereof;  
FIG. 6 is a top plan view;  
FIG. 7 is a bottom plan view; and,  
FIG. 8 is a bottom and rear perspective view thereof.  
The dashed broken lines in the figures illustrate portions of the eating utensil that form no part of the claimed design.

**1 Claim, 7 Drawing Sheets**



(56)

References Cited

U.S. PATENT DOCUMENTS

D302,090 S 7/1989 Bergman  
 D302,091 S 7/1989 Bergman  
 D302,510 S 8/1989 Bergman  
 D307,611 S \* 5/1990 Bradshaw ..... D21/559  
 D310,944 S 10/1990 Lutzker  
 5,655,303 A 8/1997 Janczak  
 D404,260 S \* 1/1999 Lake ..... D7/655  
 D404,261 S \* 1/1999 Lake ..... D7/655  
 D407,274 S 3/1999 Lake et al.  
 D432,358 S 10/2000 Natale  
 D437,740 S 2/2001 Manion et al.  
 D440,261 S \* 4/2001 Wei ..... D21/554  
 D533,038 S 12/2006 Hsu et al.  
 D554,439 S 11/2007 Malcolm et al.  
 D554,440 S 11/2007 Malcolm et al.  
 D554,441 S 11/2007 Malcolm et al.  
 D586,535 S \* 2/2009 Soliz ..... D1/123  
 D590,670 S \* 4/2009 Coppo ..... D7/653  
 D593,379 S \* 6/2009 Thompson ..... D7/653  
 D593,380 S \* 6/2009 Shane-Schuldt ..... D7/653  
 D593,381 S \* 6/2009 Richmond ..... D7/653  
 D594,710 S \* 6/2009 Coppo ..... D7/653  
 D594,711 S \* 6/2009 Coppo ..... D7/653  
 D594,712 S \* 6/2009 Shane-Schuldt ..... D7/653  
 D601,207 S \* 9/2009 Chung ..... D21/434  
 D639,617 S \* 6/2011 Malcolm ..... D7/653  
 D652,269 S \* 1/2012 Skolnik ..... D7/642  
 D662,367 S \* 6/2012 Boozer ..... D7/412  
 D677,999 S \* 3/2013 Skolnik ..... D7/655  
 D706,086 S \* 6/2014 Bagley, Jr. .... D7/642  
 D712,589 S \* 9/2014 Johnson ..... D26/97  
 D716,107 S \* 10/2014 Skolnik ..... D7/642  
 D719,790 S \* 12/2014 Grcic ..... D7/653  
 D730,864 S \* 6/2015 Stewart ..... D14/207  
 D736,040 S \* 8/2015 Donovan ..... D7/642  
 D741,666 S \* 10/2015 Kemker ..... D7/653  
 D742,182 S \* 11/2015 Isopahkala ..... D7/645  
 D756,172 S \* 5/2016 Mou ..... D7/653  
 D774,847 S \* 12/2016 Isopahkala ..... D7/645  
 D778,123 S \* 2/2017 Mou ..... D7/645  
 D778,124 S \* 2/2017 Mou ..... D7/645  
 D796,916 S \* 9/2017 McFarland ..... D7/401.2  
 D835,213 S \* 12/2018 Schmitt ..... D21/434  
 D841,408 S \* 2/2019 Isopahkala ..... D7/645  
 D851,466 S \* 6/2019 Oakes ..... D7/645  
 D863,897 S \* 10/2019 Isopahkala ..... D7/645  
 D909,147 S \* 2/2021 Lacotta ..... D7/401.2  
 D909,822 S \* 2/2021 Lacotta ..... D7/401.2  
 D911,787 S \* 3/2021 Kim ..... D7/653  
 D914,469 S \* 3/2021 Xie ..... D7/691  
 2009/0077812 A1 3/2009 Malcolm et al.

FOREIGN PATENT DOCUMENTS

EM 001337133-0001 \* 8/2012  
 EM 002150391-0001 \* 2/2013  
 EM 002150391-0002 \* 2/2013  
 EM 002150391-0003 \* 2/2013  
 GB 9002150391-0001 \* 12/2012  
 GB 9002150391-0002 \* 12/2012

GB 9002150391-0003 \* 12/2012  
 JP D1568079 \* 1/2017  
 PH 3-2013-842-0001 \* 7/2013

OTHER PUBLICATIONS

Linowos Baby Fork and Spoon Set, Jun. 11, 2020, <https://www.amazon.co.uk/Children-Silicone-Stainless-Learning-Utensils/dp/B08MJZHCX> (Year: 2020).\*

Kid Funware Utensil Set, Feb. 20, 2013, <https://www.amazon.com/Kids-Divided-Plate-Utensils-Childrens/dp/B00M8GNB9Q> (Year: 2013).\*

Dinneractive Utensil Set for Kids, Oct. 15, 2021, <https://www.amazon.com/Dinneractive-Utensil-Set-Kids-Construction/dp/B09JKWM4LB> (Year: 2021).\*

Fencelly Utensil Set, Jun. 2, 2021, <https://www.amazon.co.uk/Tableware-Constructive-Utensils-Flatware-Construction/dp/B096DSFZRT> (Year: 2021).\*

Hosuho 3PCS/Set Children's Car Tableware, May 24, 2021, <https://www.amazon.co.uk/Hosuho-Childrens-Tableware-Bulldozer-Constructive/dp/B095P75QDD> (Year: 2021).\*

Eternity Children's Car Cutlery, May 19, 2021, <https://www.amazon.co.uk/Eternity-Childrens-Cutlery-Children-Soft-handled/dp/B095CP3RFF> (Year: 2021).\*

Dinneractive Firefighter Set, Sep. 23, 2021, <https://www.amazon.com/Dinneractive-Utensil-Set-Kids-Firefighter> (Year: 2021).\*

Covcow 3 Pieces Utensil for Kids, Oct. 6, 2021, <https://www.amazon.com/Covcow-Construction-Bulldozer-Toddlers-BPA-Free/dp/B094Y8KVX8> (Year: 2021).\*

Glove Clip Toddler Set, May 25, 2022, <https://www.amazon.com/Yellow-Construction-Toddler-Utensils-Suitable/dp/B09W8LBWJH> (Year: 2022).\*

Hebelle Toddler Set, Oct. 20, 2022, <https://www.amazon.com/Toddler-Plates-Removable-Construction-Utensils/dp/B0BB34RMYT> (Year: 2022).\*

Leparta Tableware, Nov. 23, 2022, <https://www.amazon.com/Leparta-Childrens-Tableware-Bulldozer-Excavator/dp/B0BN5KBYQB> (Year: 2022).\*

Gloveclip Cutlery Set, Nov. 18, 2022, <https://www.amazon.com/Toddler-Plates-Set-Construction-Removable/dp/B0BMVFGNN4> (Year: 2022).\*

Hebelle Toddler Set, Jun. 6, 2022, <https://www.amazon.com/Toddler-Plates-Feeding-Removable-Utensils/dp/B09VZ38PN7> (Year: 2022).\*

Hot6sl Construction Utensils, Jan. 3, 2023, <https://www.amazon.com/Construction-Dinneractive-Childrens-Excavator-Hot6sl/dp/B0BRQ232Y4> (Year: 2023).\*

Luso Aviation Spoon, Oct. 16, 2017, <https://www.amazon.co.uk/Airplane-Spoon-Stainless-Steel-Silicone/dp/B07CRVC3LV> (Year: 2017).\*

Tommee Tippee Spoon, Dec. 1, 2020, <https://www.amazon.co.uk/Tommee-Tippee-Stainless-Cutlery-Rounded/dp/B08P35S3S8> (Year: 2020).\*

Medo Spoon, Oct. 27, 2021, <https://www.amazon.co.uk/Toddler-Utensils-Tableware-Training-Toddlers/dp/B09KGYX8YT> (Year: 2021).\*

Ari Mes Car Spoon, May 16, 2019, <https://www.amazon.com/ARI-MES-Eco-Friendly-Dinnerware-Children/dp/B08NWJNKMY/> (Year: 2019).\*

\* cited by examiner

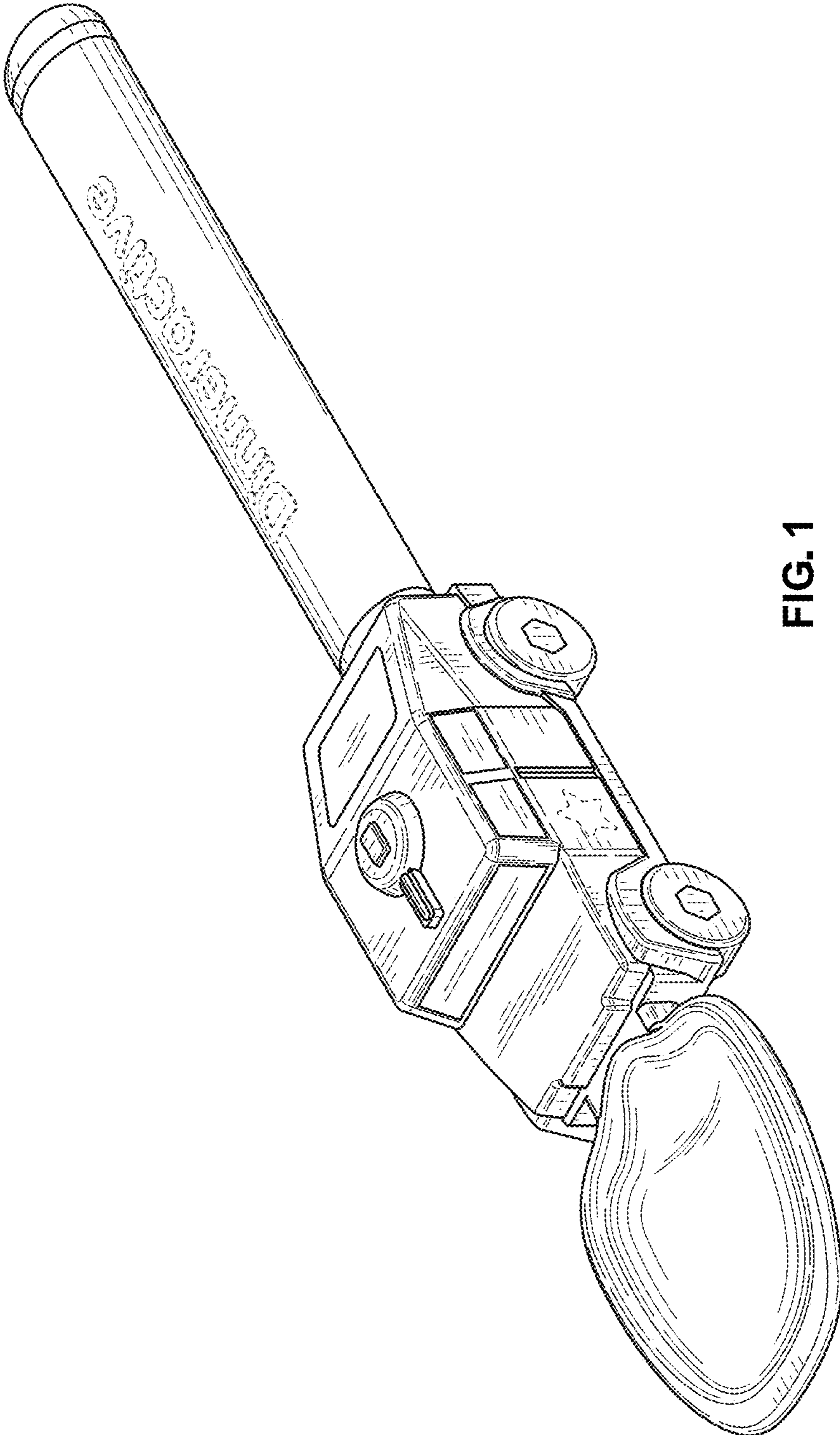


FIG. 1

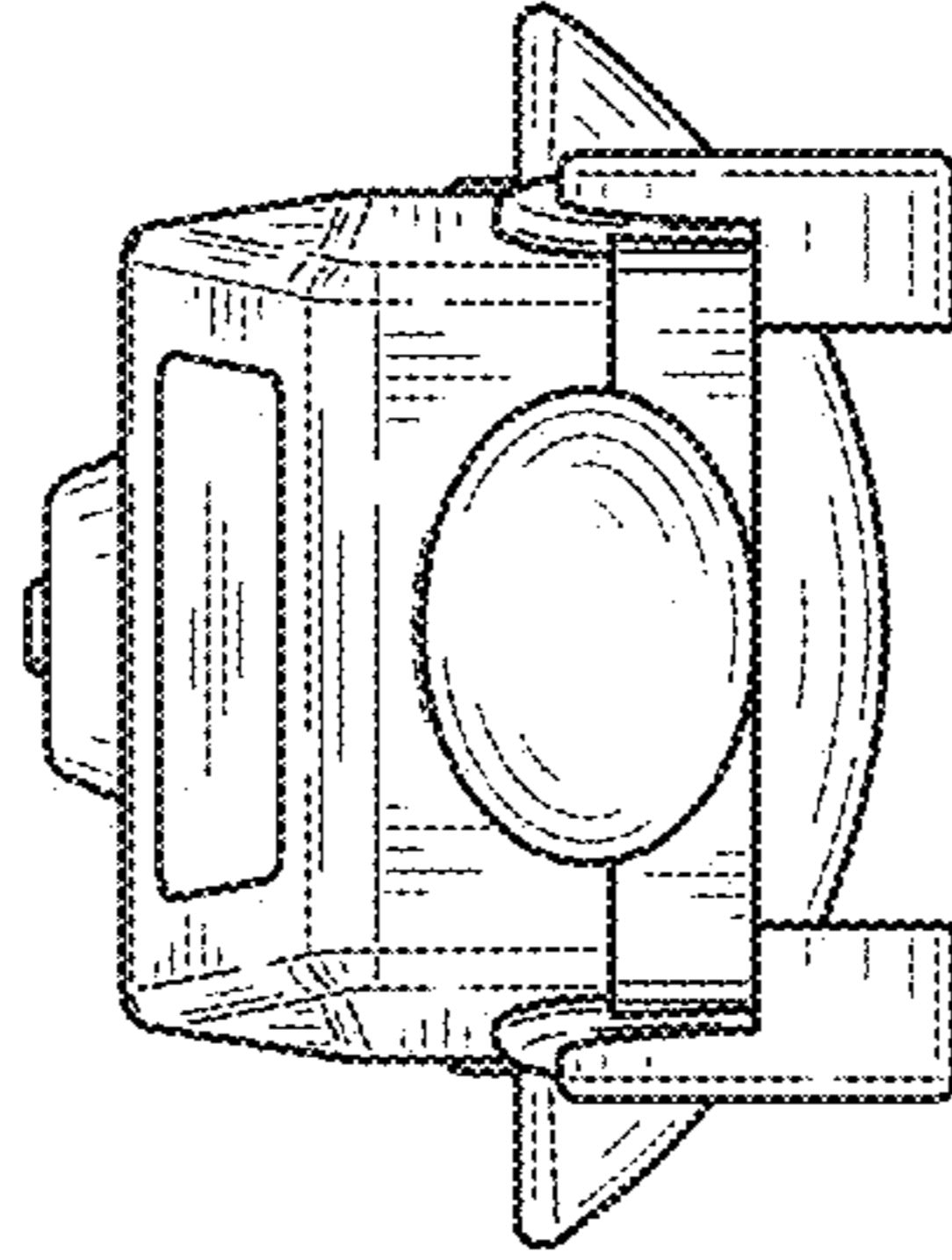


FIG. 3

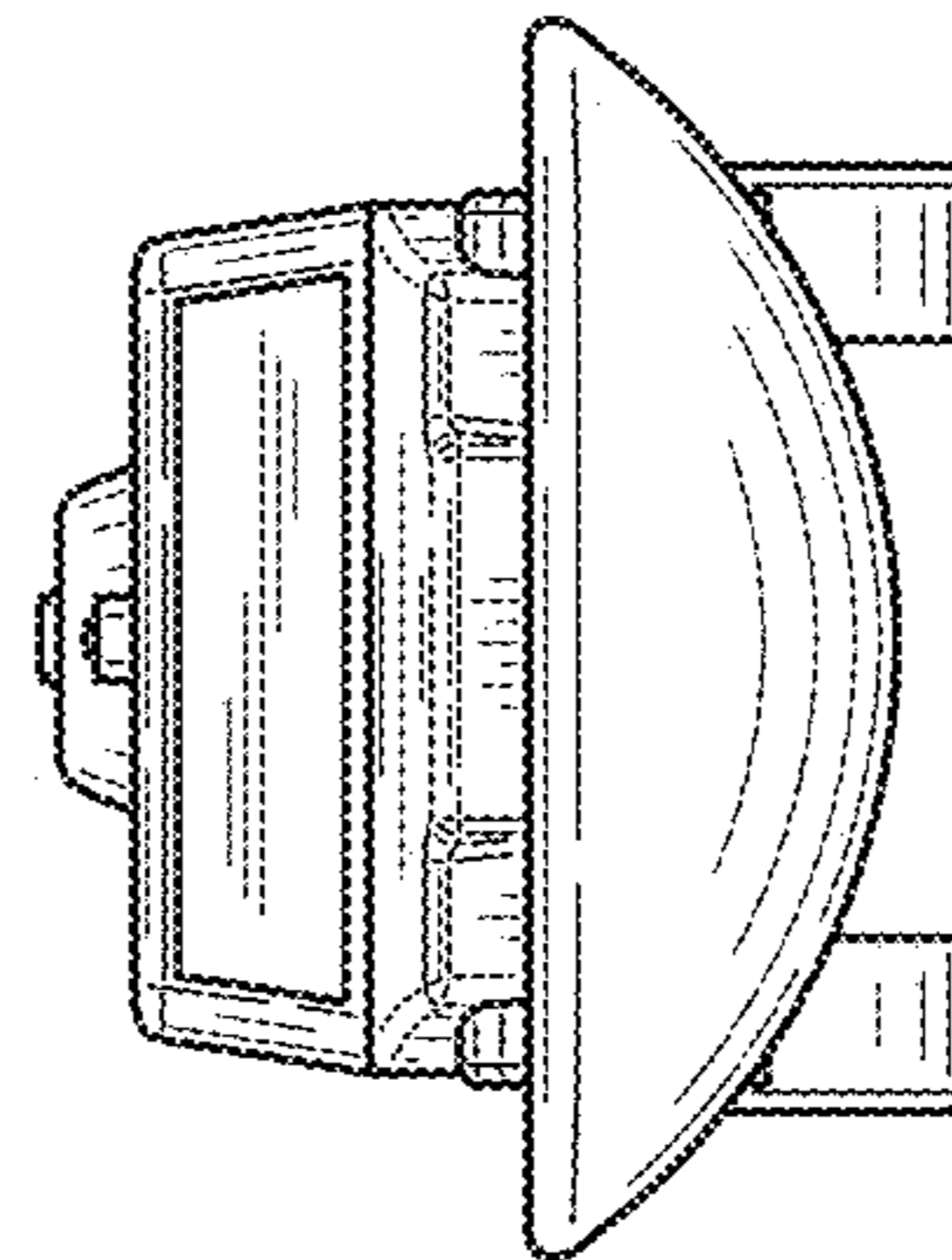


FIG. 2

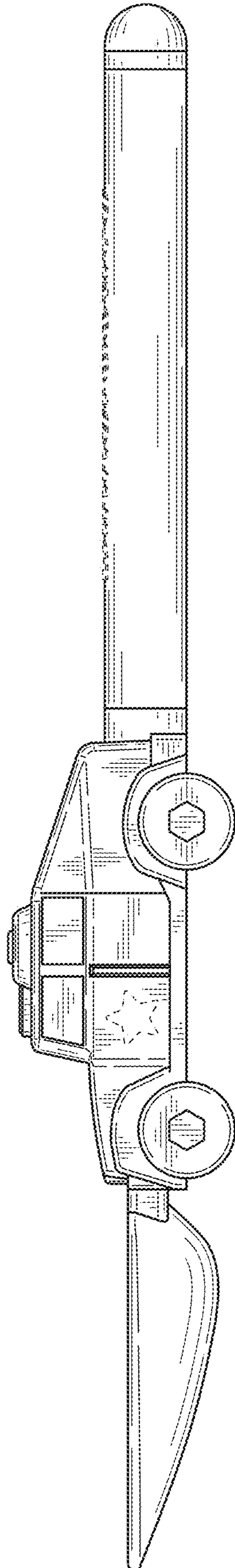


FIG. 4

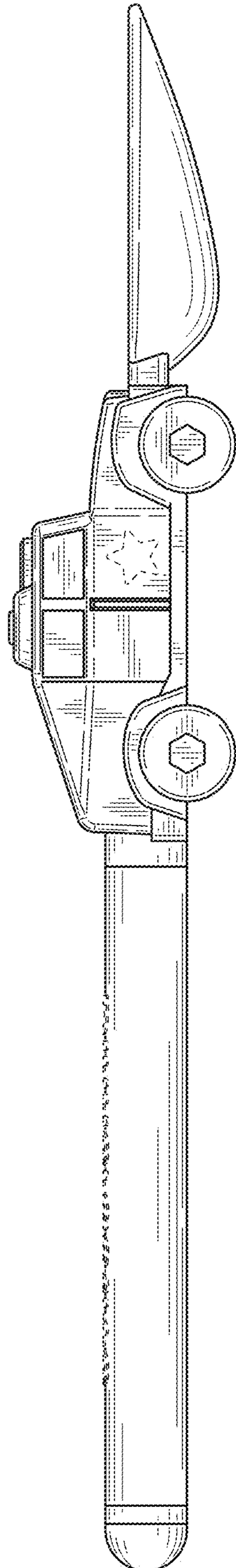


FIG. 5

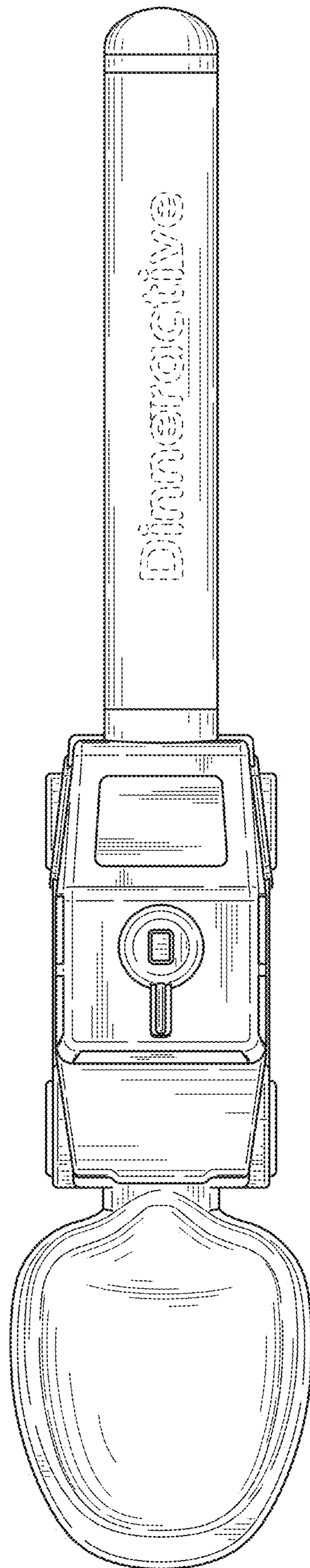


FIG. 6

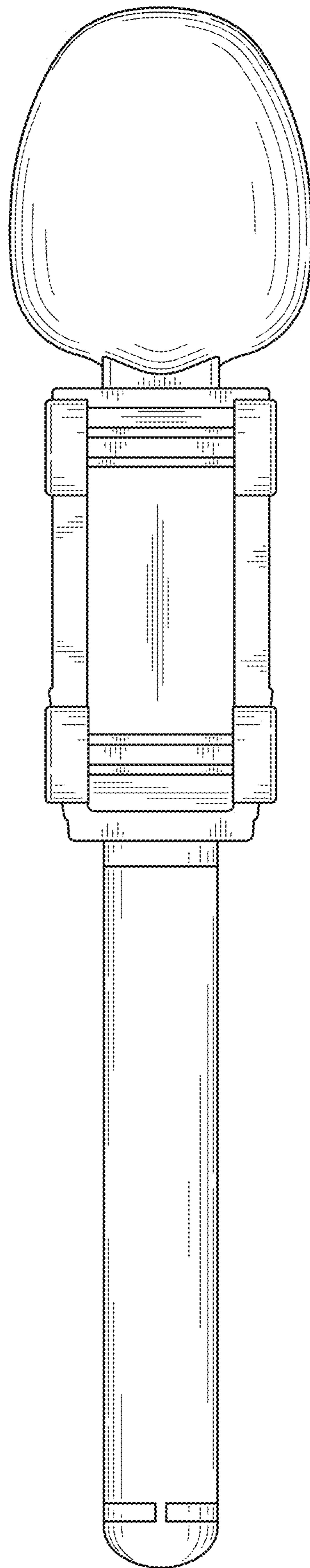


FIG. 7



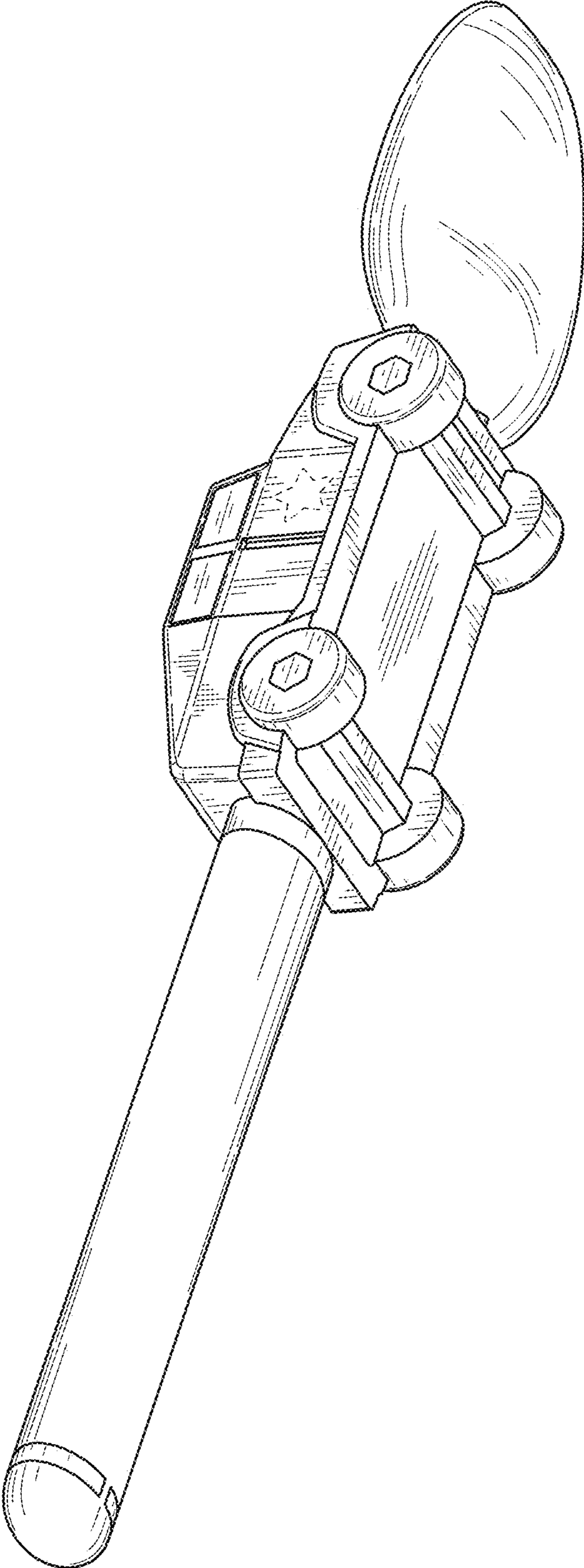


FIG. 8