



US00D988090S

(12) **United States Design Patent**
Bacher et al.

(10) **Patent No.:** **US D988,090 S**
(45) **Date of Patent:** **** Jun. 6, 2023**

- (54) **EATING UTENSIL**
- (71) Applicant: **MASONTOPS, INC.**, Toronto (CA)
- (72) Inventors: **Michael Bacher**, Toronto (CA); **Philip Baron**, Toronto (CA); **Brett Molnar**, Toronto (CA)
- (73) Assignee: **MASONTOPS IP HOLDINGS, INC.**
- (**) Term: **15 Years**
- (21) Appl. No.: **29/799,864**
- (22) Filed: **Jul. 16, 2021**
- (51) **LOC (14) Cl.** **07-03**
- (52) **U.S. Cl.**
USPC **D7/655**; D7/653; D7/654
- (58) **Field of Classification Search**
USPC D7/653, 654, 655, 642
CPC A47G 21/023; A47G 21/04; A47G 21/00;
A01G 9/122; A01G 9/0291; A01K 13/002
See application file for complete search history.

(56) **References Cited**

U.S. PATENT DOCUMENTS

D166,914 S	6/1952	Hepner	
D172,480 S	6/1954	Silletti	
2,732,187 A	1/1956	Benedetto	
D193,018 S	6/1962	Larsen	
D231,721 S	6/1974	Pearson	
D233,721 S *	11/1974	Christian D7/653
D234,287 S	2/1975	Pearson	
3,968,591 A	7/1976	Pearson	
D257,757 S	1/1981	Acker	
D299,899 S *	2/1989	Liebmann D7/653
D302,090 S	7/1989	Bergman	
D302,091 S	7/1989	Bergman	
D302,510 S	8/1989	Bergman	
D310,944 S	10/1990	Lutzker	
5,655,303 A	8/1997	Janczak	
D404,260 S	1/1999	Lake et al.	

D404,261 S	1/1999	Lake et al.
D407,274 S	3/1999	Lake et al.
D432,358 S	10/2000	Natale

(Continued)

FOREIGN PATENT DOCUMENTS

CN	3158575	*	8/2000
CN	306692310	*	7/2021

(Continued)

OTHER PUBLICATIONS

Kyraton Dinner Fork, Apr. 4, 2020, <https://www.amazon.com/Kyraton-Dinner-Pieces-Stainless-Silverware/dp/B086RMQH23> (Year: 2020).*

(Continued)

Primary Examiner — Christian P. McLean
Assistant Examiner — Nader Abadir
 (74) *Attorney, Agent, or Firm* — McAndrews, Held & Malloy, Ltd.

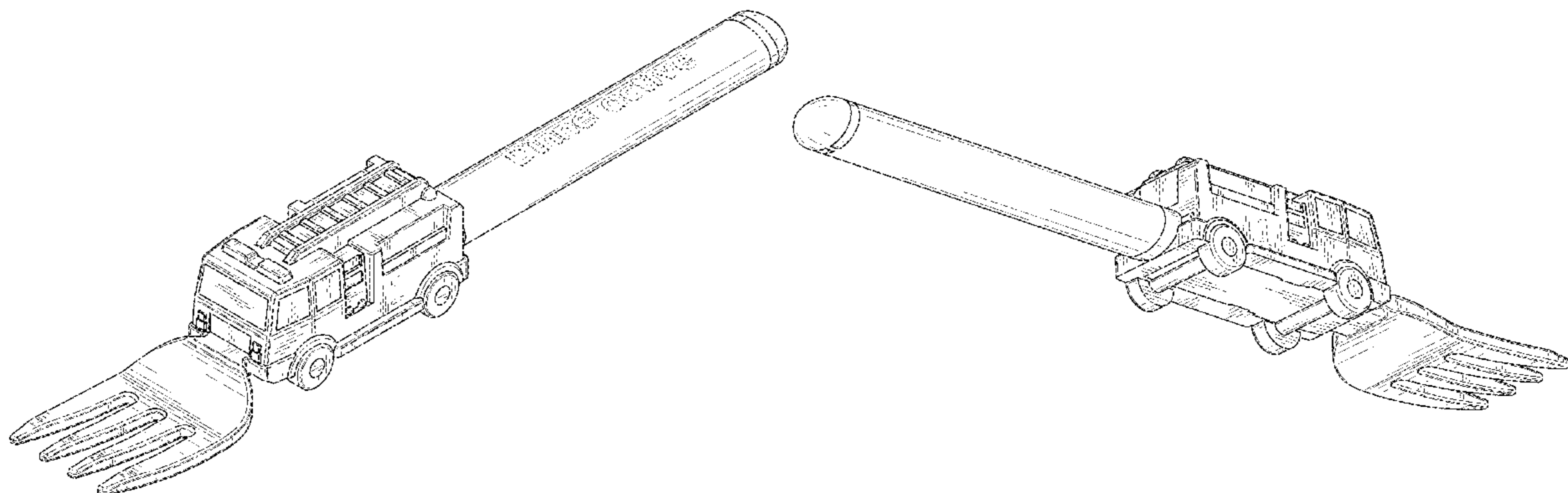
(57) **CLAIM**

The ornamental design for an eating utensil, as shown and described.

DESCRIPTION

FIG. 1 is top and front perspective view of an eating utensil showing our new design;
 FIG. 2 is a front elevation view thereof;
 FIG. 3 is a rear elevation view thereof;
 FIG. 4 is a left side elevation view thereof;
 FIG. 5 is a right side elevation view thereof;
 FIG. 6 is a top plan view;
 FIG. 7 is a bottom plan view; and,
 FIG. 8 is a bottom and rear perspective view thereof.
 The dashed broken lines in the figures illustrate portions of the eating utensil that form no part of the claimed design.

1 Claim, 7 Drawing Sheets



(56)

References Cited

U.S. PATENT DOCUMENTS

D437,740 S 2/2001 Manion et al.
 D530,987 S * 10/2006 Lee D7/653
 D533,038 S 12/2006 Hsu et al.
 D554,439 S * 11/2007 Malcolm D7/653
 D554,440 S 11/2007 Malcolm et al.
 D554,441 S 11/2007 Malcolm et al.
 D568,696 S * 5/2008 Seidenfaden D7/653
 D573,851 S * 7/2008 Huynh D7/653
 D615,367 S * 5/2010 Sierra D7/664
 D623,484 S * 9/2010 Lenge D7/653
 D642,874 S * 8/2011 McFarland D7/401.2
 D675,885 S * 2/2013 Williams D7/645
 D681,401 S * 5/2013 Donovan D7/642
 D722,839 S * 2/2015 Donovan D7/642
 D723,342 S * 3/2015 Donovan D7/642
 D756,171 S * 5/2016 Mou D7/653
 D778,122 S * 2/2017 Mou D7/645
 D796,271 S * 9/2017 McFarland D7/401.2
 D821,161 S * 6/2018 Isopahkala D7/645
 D834,379 S * 11/2018 Truog D7/643
 D852,007 S * 6/2019 Oakes D7/645
 D862,997 S * 10/2019 Miksovsky D7/642
 D882,350 S * 4/2020 Rubenson D7/643
 D882,353 S * 4/2020 Salem D7/643
 D882,354 S * 4/2020 Salem D7/643
 D906,062 S * 12/2020 deBretton Gordon D7/645
 D906,065 S * 12/2020 Jett D7/645
 D908,448 S * 1/2021 Tian D7/654
 D909,147 S * 2/2021 Lacotta D7/401.2
 D909,821 S * 2/2021 Frazee D7/643
 D909,822 S * 2/2021 Lacotta D7/401.2
 D911,123 S * 2/2021 Huang D7/645
 D911,787 S * 3/2021 Kim D7/653
 D913,053 S * 3/2021 Truog D7/649
 D914,463 S * 3/2021 Srour D7/664
 D914,469 S * 3/2021 Xie D7/691
 D914,471 S * 3/2021 Xie D7/692
 D915,159 S * 4/2021 Xie D7/691
 D915,846 S * 4/2021 Xie D7/691
 D917,985 S * 5/2021 Srour D7/664
 D919,380 S * 5/2021 Salem D7/643
 D925,996 S * 7/2021 Pontano D7/642
 D927,944 S * 8/2021 Yang D7/653
 D932,849 S * 10/2021 Gallop D7/653
 D933,431 S * 10/2021 Das D7/653
 D933,432 S * 10/2021 Mack D7/642
 D935,284 S * 11/2021 Lebeau D7/645
 D938,227 S * 12/2021 Estabrooks D7/653

D940,517 S * 1/2022 Mack D7/642
 D941,643 S * 1/2022 Ying D7/653
 D948,971 S * 4/2022 Mack D7/642
 D958,610 S * 7/2022 Salih D7/642
 D964,116 S * 9/2022 Salih D7/642
 D964,117 S * 9/2022 Salih D7/642
 D964,818 S * 9/2022 Winkelmann D7/401.2
 D966,046 S * 10/2022 Lee D7/653
 2009/0077812 A1 3/2009 Malcolm et al.
 2017/0340152 A1* 11/2017 Lee B26B 3/02

FOREIGN PATENT DOCUMENTS

CN 307187674 * 3/2022
 EM 008819205-0001 * 1/2021
 EM 008870505-0002 * 3/2022
 EM 008815948-0012 * 4/2022
 GB 6104502 * 10/2020
 GB 6146370 * 7/2021
 GB 6148681 * 7/2021
 JP D1077691 * 7/2000

OTHER PUBLICATIONS

Hiware Dinner Forks, Apr. 1, 2020, <https://www.amazon.com/Stainless-Kitchen-Restaurant-Polished-Flatware/dp/B086MKZFRT> (Year: 2020).
 WYT Dinner Forks, Dec. 26, 2021, <https://www.amazon.com/Stainless-Silverware-Flatware-Polished-Dishwasher/dp/B09PJMJWGN> (Year: 2021).
 ECR4Kids Fork, May 9, 2019, <https://www.amazon.com/ECR4Kids-ELR-18104-BPA-Free-Dishwasher-Childrens-Self-Feeding/dp/B07P7M4RBK> (Year: 2019).
 Elk and Friends Kids Silverware with Silicone Handle, Jun. 5, 2021, <https://www.amazon.com/Elk-Friends-Stainless-Silicone-Utensils/dp/B09782CLSH> (Year: 2021).
 Pimoys Fork, May 5, 2021, <https://www.amazon.com/Stainless-Cutlery-Silverware-Children-Dishwasher/dp/B0946NKZNX> (Year: 2021).
 Mighty Fleet Fire Engine, Jul. 29, 2020, <https://www.amazon.co.uk/Mighty-Fleet-57126a-Fire-Engine/dp/B085DTR6RH> (Year: 2020).
 Sunny Days Fire Truck, Jul. 9, 2020, <https://www.amazon.com/Sunny-Days-Entertainment-Large-Truck/dp/B08CM8NC8F> (Year: 2020).
 Dickie Toys Fire Brigade Vehicle, Aug. 18, 2018, <https://www.amazon.com/Dickie-Light-Brigade-Vehicle-Working/dp/B00LO3KAV6> (Year: 2018).

* cited by examiner

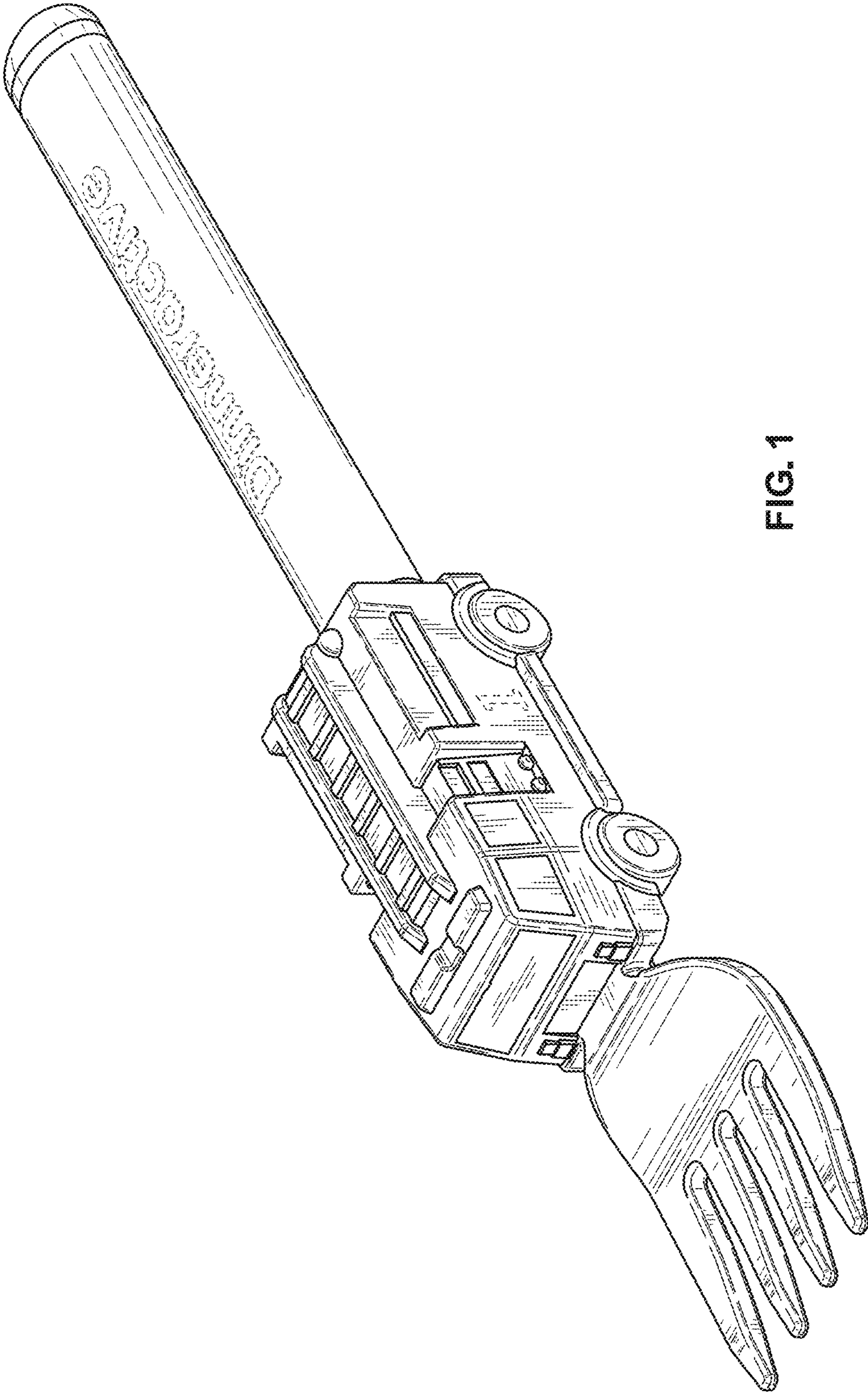


FIG. 1

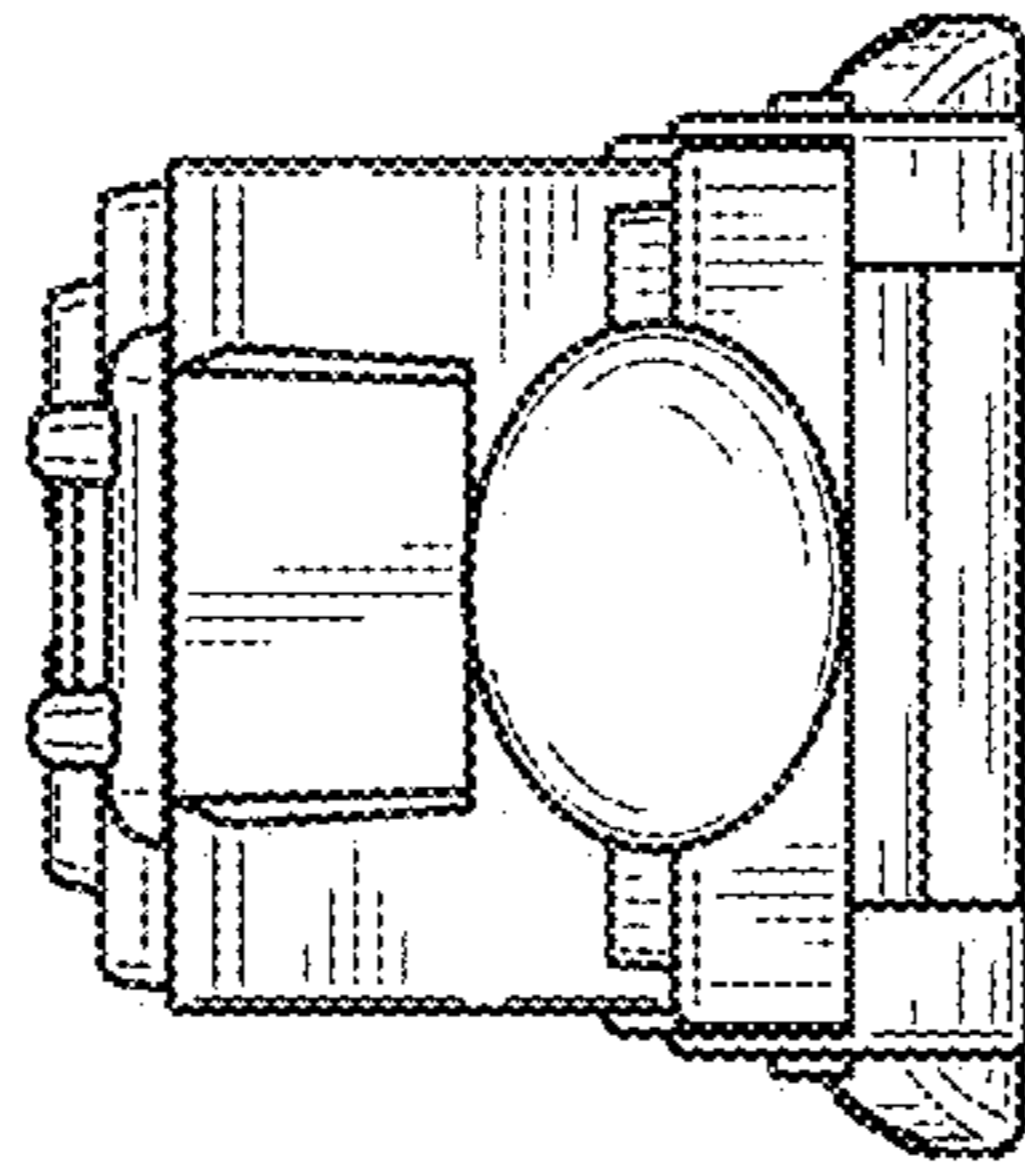


FIG. 3

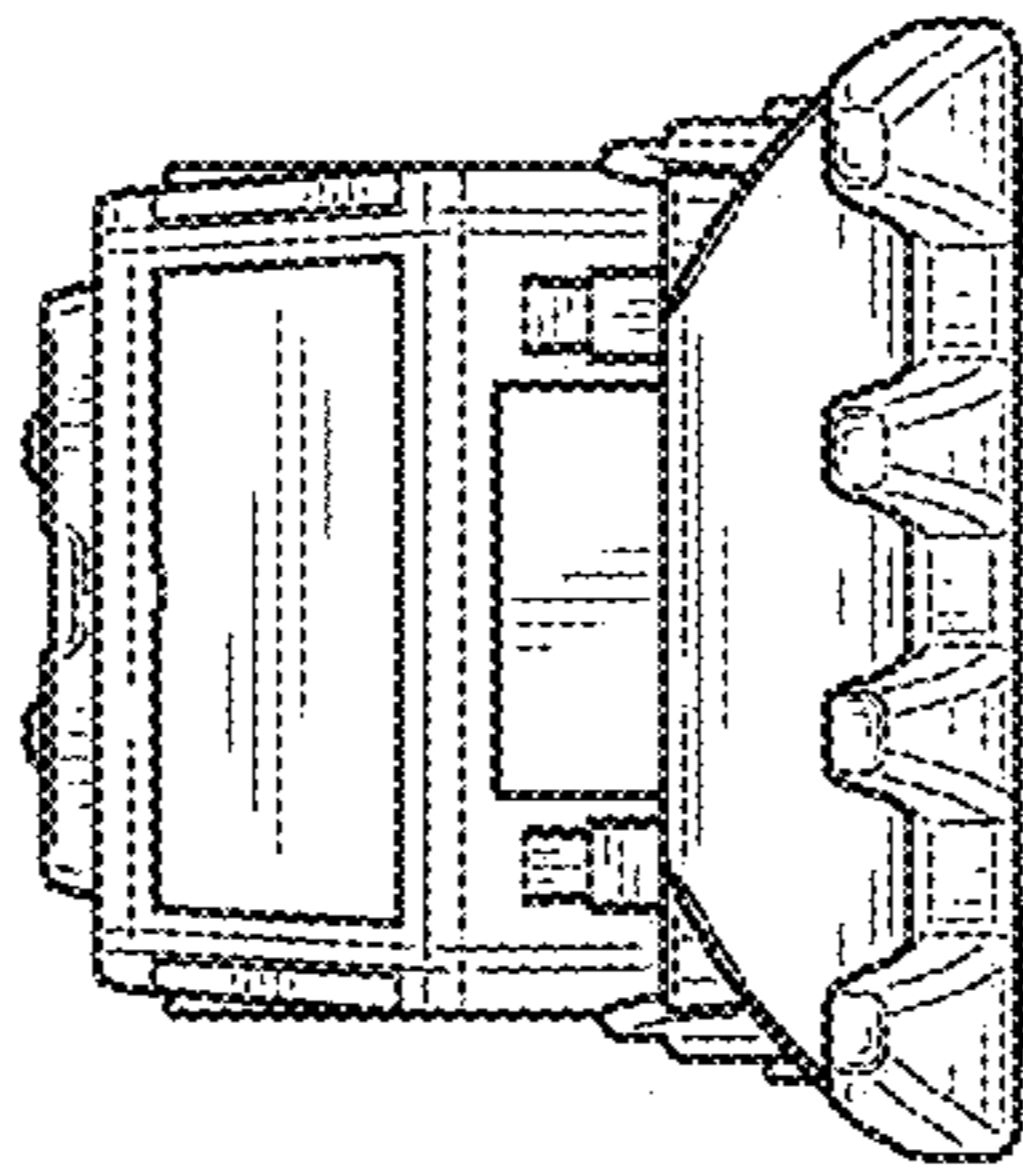


FIG. 2

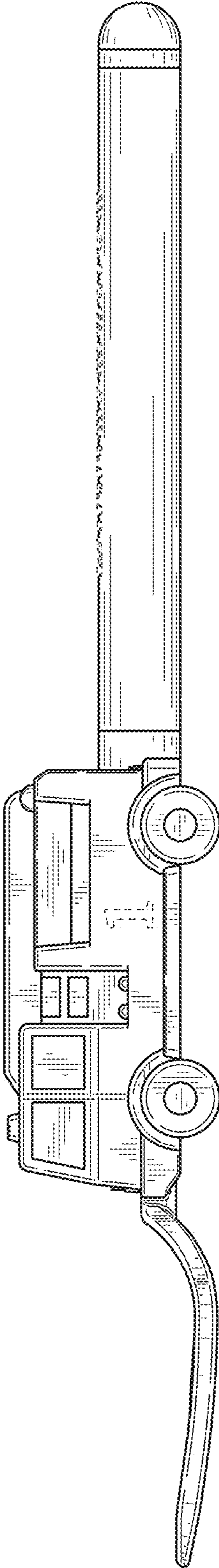


FIG. 4

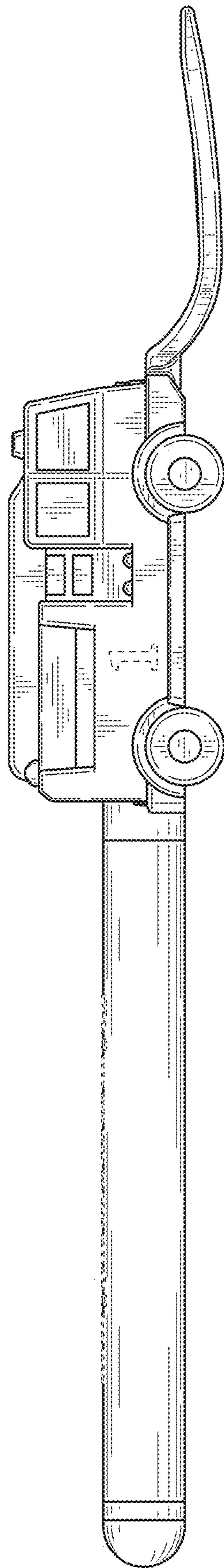


FIG. 5

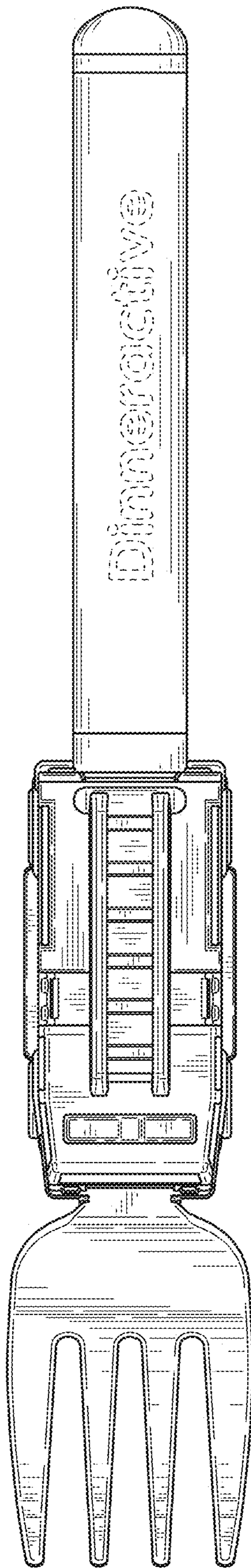


FIG. 6

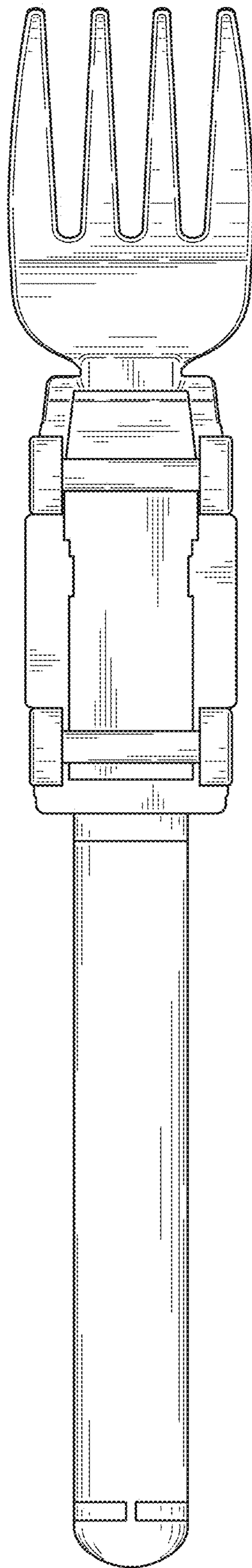


FIG. 7

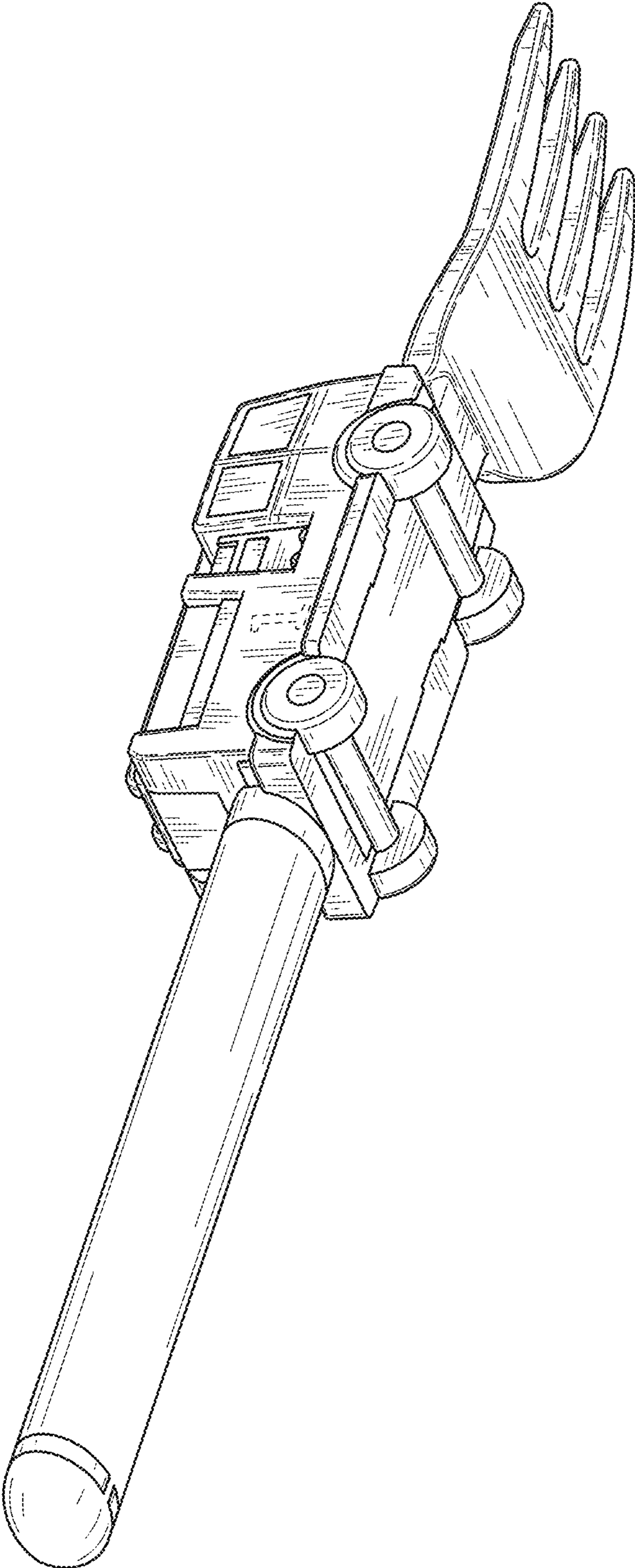


FIG. 8