



US00D988089S

(12) **United States Design Patent**  
**Bacher et al.**

(10) **Patent No.: US D988,089 S**  
(45) **Date of Patent: \*\* Jun. 6, 2023**

(54) **EATING UTENSIL**

(71) Applicant: **MASONTOPS, INC.**, Toronto (CA)

(72) Inventors: **Michael Bacher**, Toronto (CA); **Philip Baron**, Toronto (CA); **Brett Molnar**, Toronto (CA)

(73) Assignee: **MASONTOPS IP HOLDINGS, INC.**

(\*\*) Term: **15 Years**

(21) Appl. No.: **29/799,857**

(22) Filed: **Jul. 16, 2021**

(51) **LOC (14) Cl.** ..... **07-03**

(52) **U.S. Cl.**  
USPC ..... **D7/655; D7/401.2**

(58) **Field of Classification Search**  
USPC ..... D7/368, 401.2, 506, 642-645, 653-664, D7/669, 675-677, 683, 688-689, 691; D8/107, 300-301; D22/117-118; 16/110.1, 407, 430; 30/1, 137, 142, 150, 30/322-329, 340, 342, 345; 294/25-26, 294/49, 55.5, 57  
CPC ... A01D 9/02; A01D 9/04; A01D 9/06; A47G 21/00; A47G 21/004; A47G 21/005; A47G 21/02; A47G 21/023; A47G 21/04; A47G 21/06; A47G 21/08; A47J 43/28; A47J 43/281; A47J 43/282; A61F 13/10; A61J 7/0023; A63H 33/00; B25G 1/00; B25G 1/01; B25G 1/02; B25G 3/00; B65D 75/56; B65D 75/563; B65D 75/566; B67B 7/00; B67B 7/724; B67B 7/73

See application file for complete search history.

(56) **References Cited**

**U.S. PATENT DOCUMENTS**

D166,914 S \* 6/1952 Hepner ..... D8/DIG. 4  
D172,480 S 6/1954 Silletti

2,732,187 A 1/1956 Benedetto  
D193,018 S \* 6/1962 Larsen ..... D7/655  
D231,721 S 6/1974 Pearson  
D234,287 S \* 2/1975 Pearson ..... D7/655

(Continued)

**FOREIGN PATENT DOCUMENTS**

EM 001337133-0001 \* 8/2012  
EM 002150391-0001 \* 2/2013

(Continued)

**OTHER PUBLICATIONS**

Fencelly Utensil Set for Kids, Jun. 2, 2021, <https://www.amazon.co.uk/Tableware-Constructive-Utensils-Flatware-Construction/dp/B096DSFZRT> (Year: 2021).\*

(Continued)

*Primary Examiner* — Brett Miller  
*Assistant Examiner* — Nader Abadir  
(74) *Attorney, Agent, or Firm* — McAndrews, Held & Malloy, Ltd.

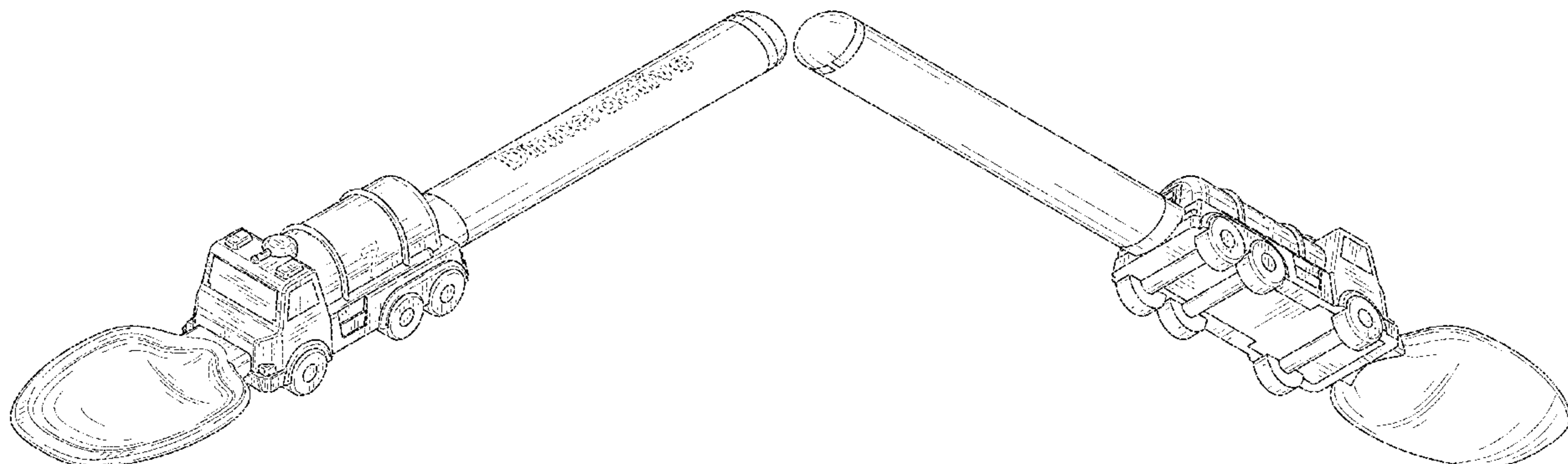
(57) **CLAIM**

The ornamental design for an eating utensil, as shown and described.

**DESCRIPTION**

FIG. 1 is top and front perspective view of an eating utensil showing our new design;  
FIG. 2 is a front elevation view thereof;  
FIG. 3 is a rear elevation view thereof;  
FIG. 4 is a left side elevation view thereof;  
FIG. 5 is a right side elevation view thereof;  
FIG. 6 is a top plan view;  
FIG. 7 is a bottom plan view; and  
FIG. 8 is a bottom and rear perspective view thereof.  
The dashed broken lines in the figures illustrate portions of the eating utensil that form no part of the claimed design.

**1 Claim, 7 Drawing Sheets**



(56)

References Cited

U.S. PATENT DOCUMENTS

3,968,591 A \* 7/1976 Pearson, Jr. .... A47G 21/04  
D7/300.2  
D257,757 S 1/1981 Acker  
D302,090 S \* 7/1989 Bergman ..... D7/655  
D302,091 S \* 7/1989 Bergman ..... D7/655  
D302,510 S \* 8/1989 Bergman ..... D7/655  
D310,944 S \* 10/1990 Lutzker ..... D21/451  
5,655,303 A 8/1997 Janczak  
D404,260 S \* 1/1999 Lake ..... D7/655  
D404,261 S \* 1/1999 Lake ..... D7/655  
D407,274 S \* 3/1999 Lake ..... D7/655  
D432,358 S 10/2000 Natale  
D437,740 S \* 2/2001 Manion ..... D21/447  
D533,038 S 12/2006 Hsu et al.  
D554,439 S 11/2007 Malcolm et al.  
D554,440 S 11/2007 Malcolm et al.  
D554,441 S 11/2007 Malcolm et al.  
D576,451 S \* 9/2008 Bagley, Jr. .... D7/655  
D677,999 S \* 3/2013 Skolnik ..... D7/655  
D716,107 S \* 10/2014 Skolnik ..... D7/642  
2009/0077812 A1 3/2009 Malcolm et al.

FOREIGN PATENT DOCUMENTS

EM 002150391-0002 \* 2/2013  
EM 002150391-0003 \* 2/2013  
GB 9002150391-0001 \* 12/2012  
GB 9002150391-0002 \* 12/2012  
GB 9002150391-0003 \* 12/2012

OTHER PUBLICATIONS

Linowos Baby Fork and Spoon Set, Jun. 11, 2020, <https://www.amazon.co.uk/Children-Silicone-Stainless-Learning-Utensils/dp/B08MJJZHCX> (Year: 2020).\*

Kid Funware Utensil Set, Feb. 20, 2013, <https://www.amazon.com/Kids-Divided-Plate-Utensils-Childrens/dp/B00M8GNB9Q> (Year: 2013).\*  
Dinneractive Utensil Set for Kids, Oct. 15, 2021, <https://www.amazon.com/Dinneractive-Utensil-Set-Kids-Construction/dp/B09JKWM4LB> (Year: 2021).\*  
Dinneractive Firefighter Set, Sep. 23, 2021, <https://www.amazon.com/Dinneractive-Utensil-Set-Kids-Firefighter> (Year: 2021).\*  
Hebelle Toddler Set, Jun. 6, 2022, <https://www.amazon.com/Toddler-Plates-Feeding-Removable-Utensils/dp/B09VZ38PN7> (Year: 2022).\*  
Glove Clip Toddler Set, May 25, 2022, <https://www.amazon.com/Yellow-Construction-Toddler-Utensils-Suitable/dp/B09W8LBWJH> (Year: 2022).\*  
Hebelle Toddler Set, Oct. 20, 2022, <https://www.amazon.com/Toddler-Plates-Removable-Construction-Utensils/dp/B0BB34RMYT> (Year: 2022).\*  
Leparta Tableware, Nov. 23, 2022, <https://www.amazon.com/Leparta-Childrens-Tableware-Bulldozer-Excavator/dp/B0BN5KBYQB> (Year: 2022).\*  
Gloveclip Cutlery Set, Nov. 18, 2022, <https://www.amazon.com/Toddler-Plates-Set-Construction-Removable/dp/B0BMVFGNN4> (Year: 2022).\*  
Covcow 3 Pieces Utensil for Kids, Oct. 6, 2021, <https://www.amazon.com/Covcow-Construction-Bulldozer-Toddlers-BPA-Free/dp/B094Y8KVX8> (Year: 2021).\*  
Hot6sl Construction Utensils, Jan. 3, 2023, <https://www.amazon.com/Construction-Dinneractive-Childrens-Excavator-Hot6sl/dp/B0BRQ232Y4> (Year: 2023).\*  
Constructive Eating Utensils, Aug. 10, 2010, <https://www.amazon.co.uk/Constructive-Eating-81000-Construction-Utensils/dp/B000T0J0X0> (Year: 2010).\*  
Hosuho 3PCS/Set Children's Car Tableware, May 24, 2021, <https://www.amazon.co.uk/Hosuho-Childrens-Tableware-Bulldozer-Constructive/dp/B095P75QDD> (Year: 2021).\*  
Eternity Children's Car Cutlery, May 19, 2021, <https://www.amazon.co.uk/Eternity-Childrens-Cutlery-Children-Soft-handled/dp/B095CP3RFF> (Year: 2021).\*

\* cited by examiner

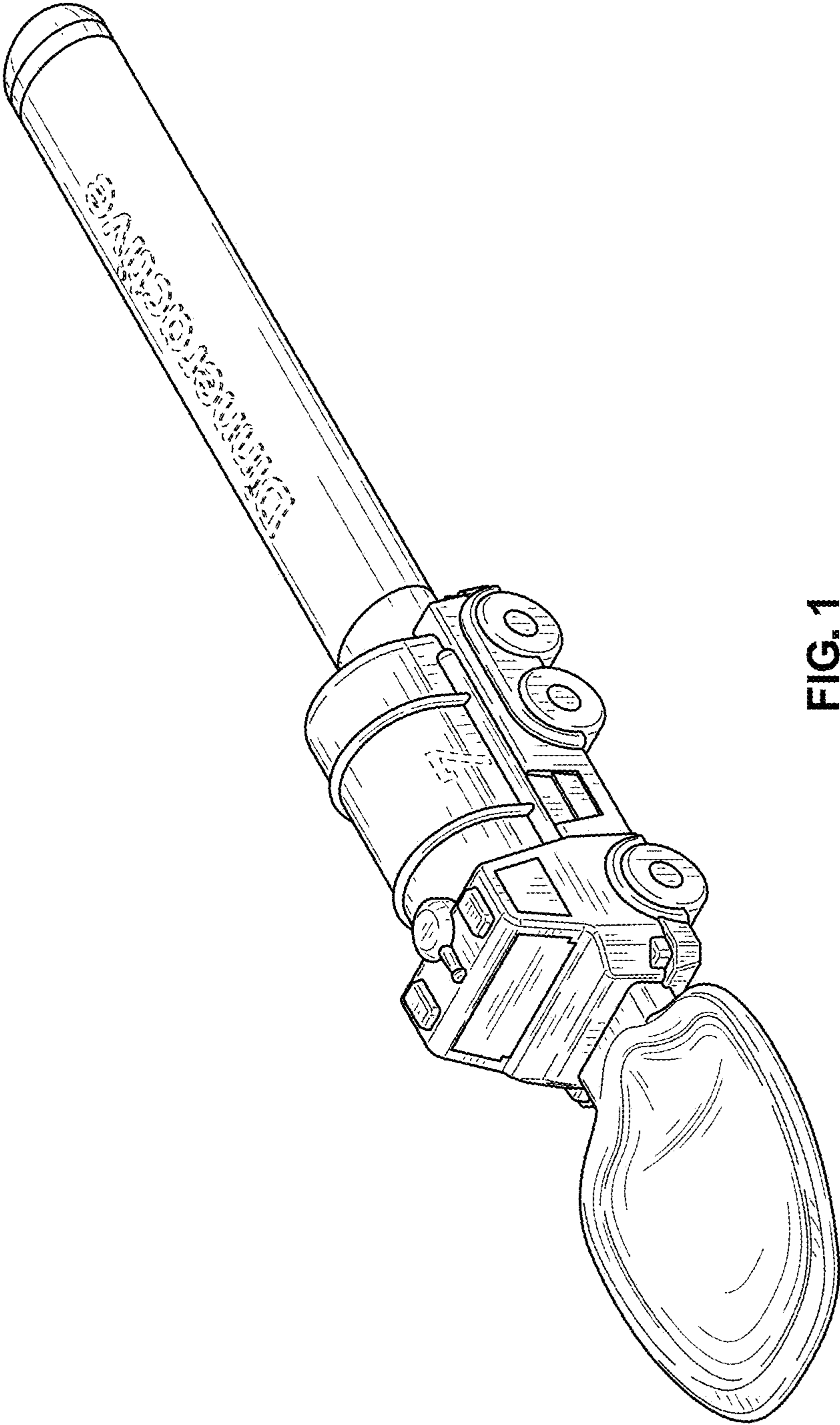


FIG. 1

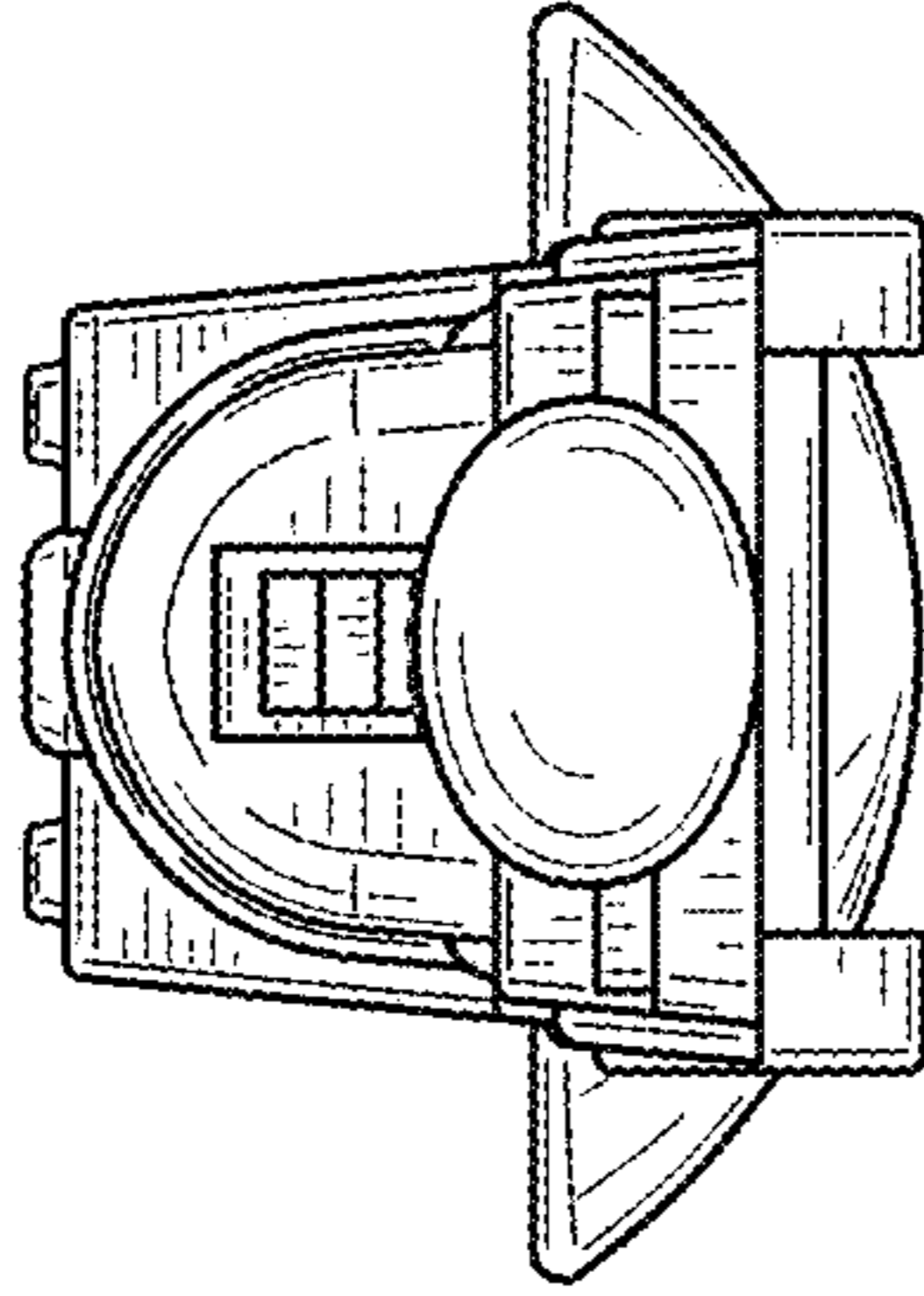


FIG. 3

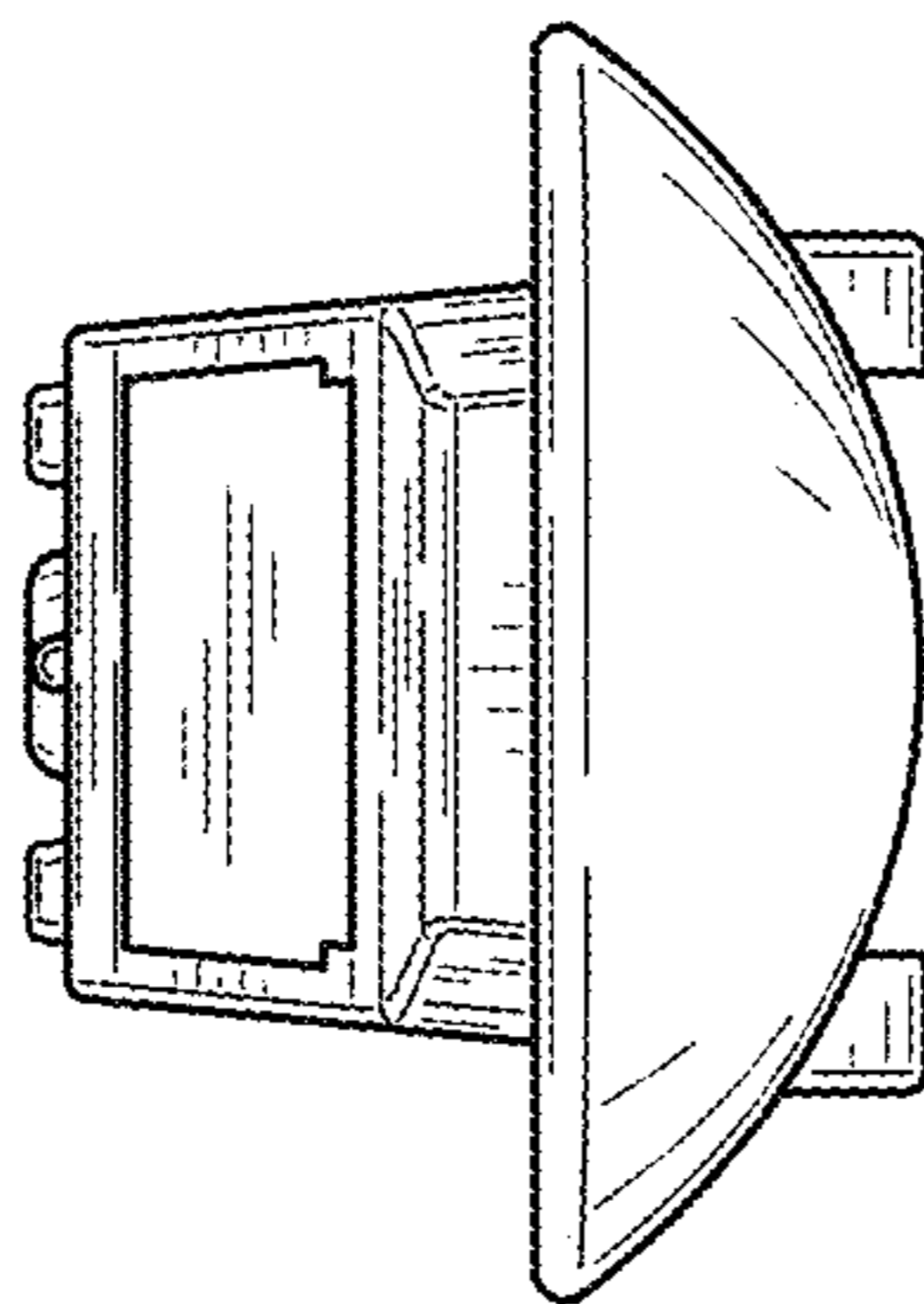


FIG. 2

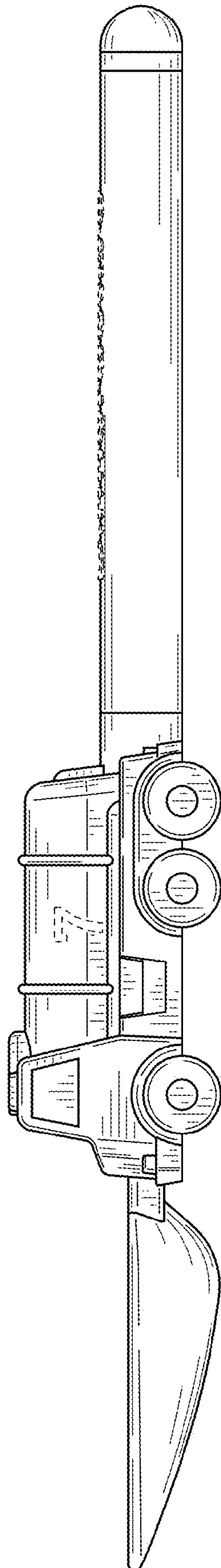


FIG. 4

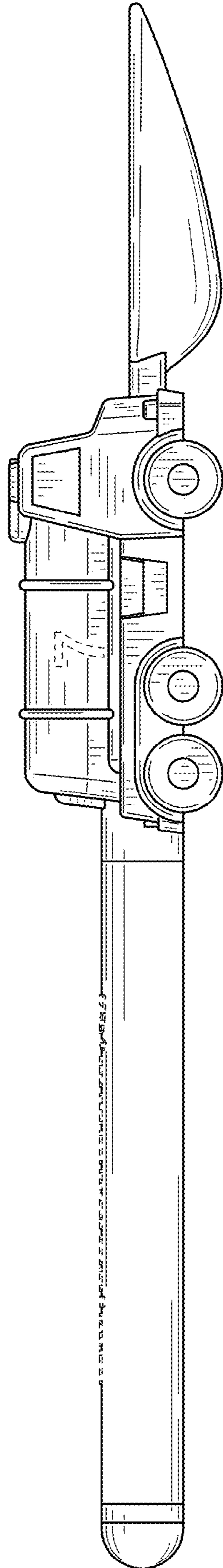


FIG. 5

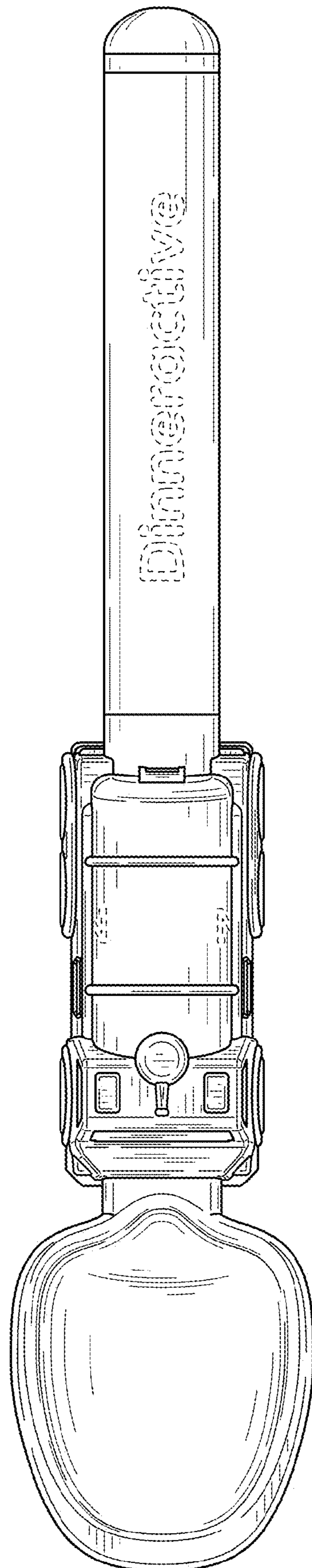


FIG. 6

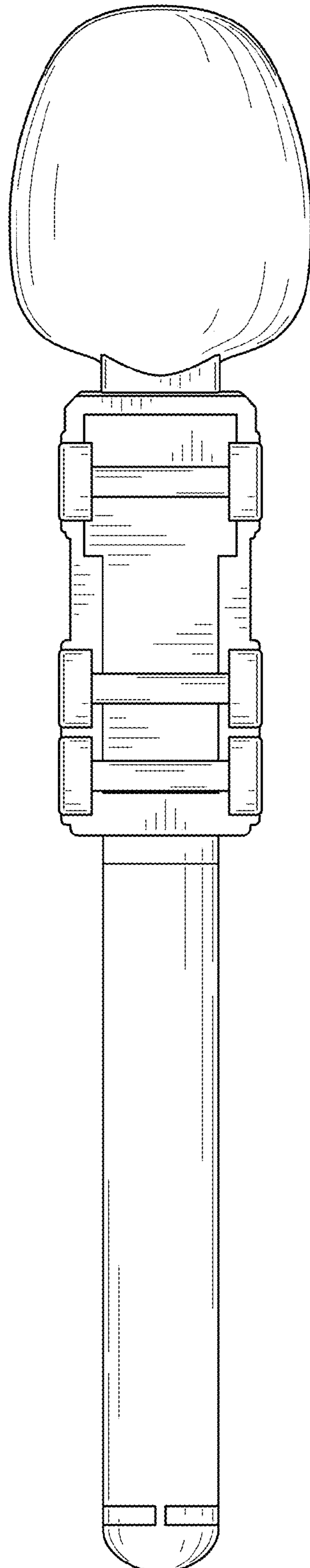


FIG. 7



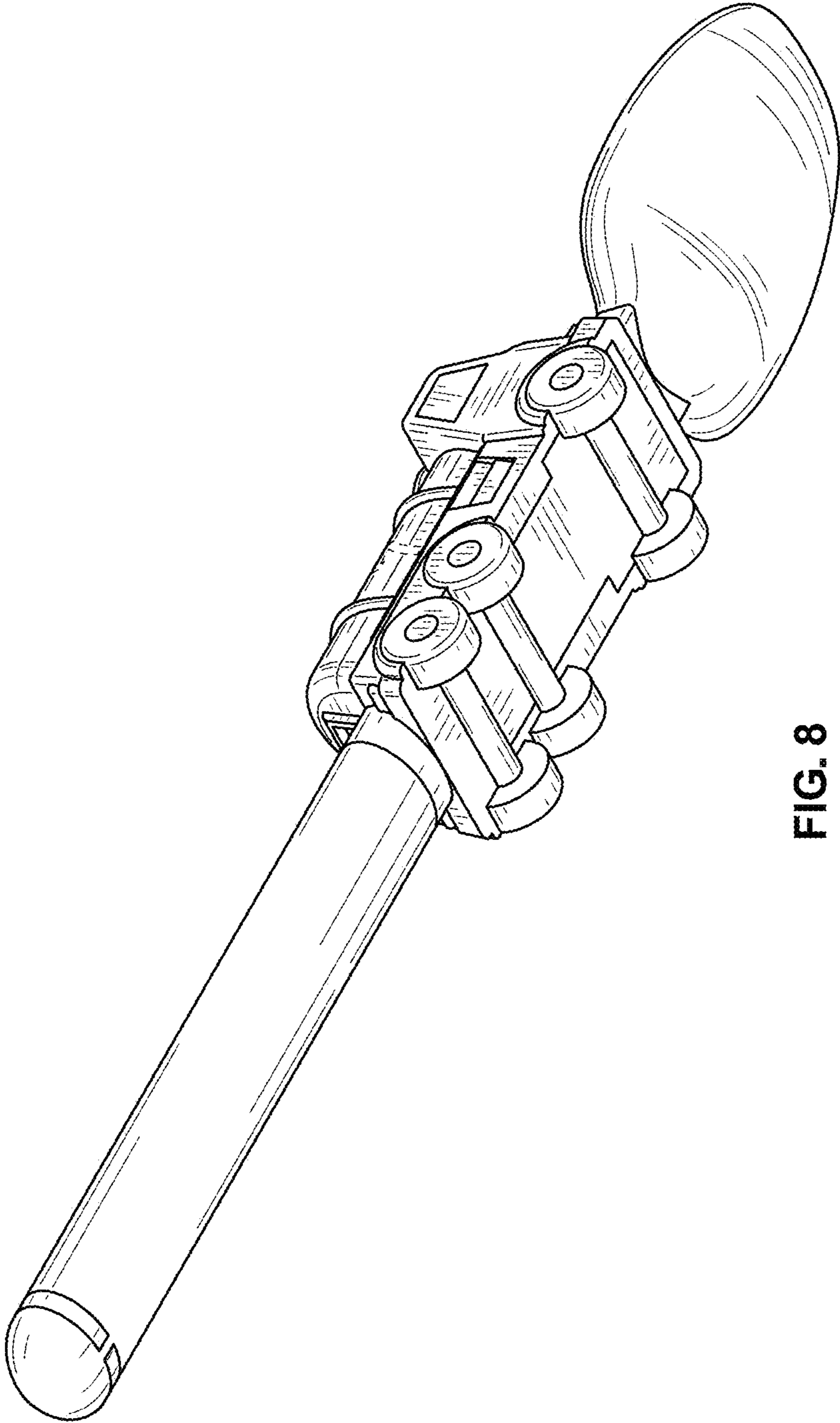


FIG. 8