



US00D988088S

(12) **United States Design Patent**
Bacher et al.

(10) **Patent No.:** **US D988,088 S**
(45) **Date of Patent:** **** Jun. 6, 2023**

- (54) **EATING UTENSIL**
 - (71) Applicant: **MASONTOPS, INC.**, Toronto (CA)
 - (72) Inventors: **Michael Bacher**, Toronto (CA); **Philip Baron**, Toronto (CA); **Brett Molnar**, Toronto (CA)
 - (73) Assignee: **MASONTOPS IP HOLDINGS, INC.**
 - (**) Term: **15 Years**
 - (21) Appl. No.: **29/799,844**
 - (22) Filed: **Jul. 16, 2021**
 - (51) **LOC (14) Cl.** **07-03**
 - (52) **U.S. Cl.**
USPC **D7/655; D7/401.2**
 - (58) **Field of Classification Search**
USPC D7/368, 395, 401.2, 642-646, 649-655, D7/660-664, 669, 675-676, 682-683, D7/688-692, 695-696; D10/119.2, D10/119.4; 30/137, 141-143, 147-150, 30/322-327, 329, 340, 342-344
CPC ... A01D 9/02; A01D 9/04; A01D 9/06; A47G 21/00; A47G 21/004; A47G 21/005; A47G 21/02; A47G 21/023; A47G 21/04; A47G 21/06; A47G 21/08; A47J 43/28; A47J 43/281; A47J 43/282; A61F 13/10; A61J 7/0023; A63H 33/00; B25G 1/00; B25G 1/01; B25G 1/02; B25G 3/00; B65D 75/56; B65D 75/563; B65D 75/566; B67B 7/00; B67B 7/724; B67B 7/73
- See application file for complete search history.

D231,721 S * 6/1974 Pearson D7/655
D234,287 S * 2/1975 Pearson D7/655
3,968,591 A * 7/1976 Pearson, Jr. A47G 21/04
D7/300.2

(Continued)

FOREIGN PATENT DOCUMENTS

EM 001337133-0001 * 8/2012
EM 002150391-0001 * 2/2013

(Continued)

OTHER PUBLICATIONS

Fencelly Utensil Set, Jun. 2, 2021, <https://www.amazon.co.uk/Tableware-Constructive-Utensils-Flatware-Construction/dp/B096DSFZRT> (Year: 2021).*

(Continued)

Primary Examiner — Brett Miller
Assistant Examiner — Nader Abadir
(74) *Attorney, Agent, or Firm* — McAndrews, Held & Malloy, Ltd.

(57) **CLAIM**

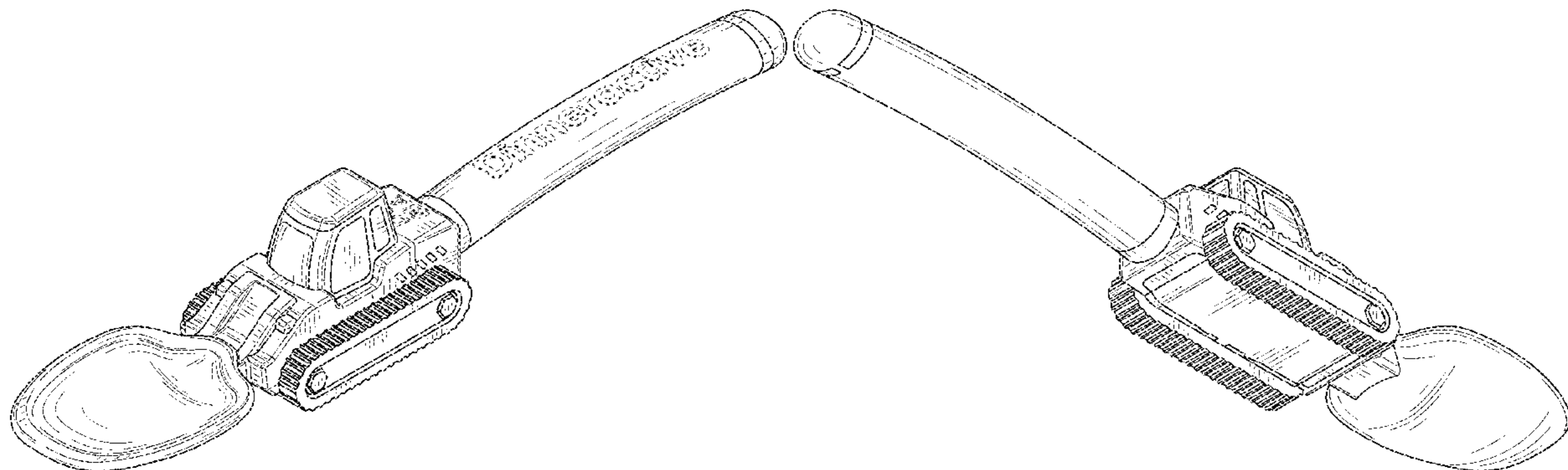
The ornamental design for an eating utensil, as shown and described.

DESCRIPTION

FIG. 1 is top and front perspective view of an eating utensil showing our new design;
FIG. 2 is a front elevation view thereof;
FIG. 3 is a rear elevation view thereof;
FIG. 4 is a left side elevation view thereof;
FIG. 5 is a right side elevation view thereof;
FIG. 6 is a top plan view;
FIG. 7 is a bottom plan view; and,
FIG. 8 is a bottom and rear perspective view thereof.
The dashed broken lines in the figures illustrate portions of the eating utensil that form no part of the claimed design.

1 Claim, 7 Drawing Sheets

- (56) **References Cited**
U.S. PATENT DOCUMENTS
- | | | |
|-------------|--------|-----------|
| D166,914 S | 6/1952 | Hepner |
| D172,480 S | 6/1954 | Silletti |
| 2,732,187 A | 1/1956 | Benedetto |
| D193,018 S | 6/1962 | Larsen |



(56)

References Cited

U.S. PATENT DOCUMENTS

D257,757	S	*	1/1981	Acker	D7/655
D302,090	S	*	7/1989	Bergman	D7/655
D302,091	S	*	7/1989	Bergman	D7/655
D302,510	S	*	8/1989	Bergman	D7/655
D310,944	S	*	10/1990	Lutzker	D21/451
5,655,303	A		8/1997	Janczak		
D404,260	S	*	1/1999	Lake	D7/655
D404,261	S	*	1/1999	Lake	D7/655
D407,274	S	*	3/1999	Lake	D7/655
D432,358	S		10/2000	Natale		
D437,740	S	*	2/2001	Manion	D21/447
D533,038	S		12/2006	Hsu et al.		
D554,439	S		11/2007	Malcolm et al.		
D554,440	S		11/2007	Malcolm et al.		
D554,441	S		11/2007	Malcolm et al.		
D576,451	S	*	9/2008	Bagley, Jr.	D7/655
D677,999	S	*	3/2013	Skolnik	D7/655
D716,107	S	*	10/2014	Skolnik	D7/642
2009/0077812	A1		3/2009	Malcolm et al.		

FOREIGN PATENT DOCUMENTS

EM	002150391-0002	*	2/2013
EM	002150391-0003	*	2/2013
GB	9002150391-0001	*	12/2012
GB	9002150391-0002	*	12/2012
GB	9002150391-0003	*	12/2012

OTHER PUBLICATIONS

Constructive Eating Utensils, Aug. 10, 2010, <https://www.amazon.co.uk/Constructive-Eating-81000-Construction-Utensils/dp/B000TOJ0X0> (Year: 2010).*

Hosuho 3PCS/Set Children's Car Tableware, May 24, 2021, <https://www.amazon.co.uk/Hosuho-Childrens-Tableware-Bulldozer-Constructive/dp/B095P75QDD> (Year: 2021).*

Eternity Children's Car Cutlery, May 19, 2021, <https://www.amazon.co.uk/Eternity-Childrens-Cutlery-Children-Soft-handled/dp/B095CP3RFF> (Year: 2021).*

Linowos Baby Fork and Spoon Set, Jun. 11, 2020, <https://www.amazon.co.uk/Children-Silicone-Stainless-Learning-Utensils/dp/B08MJZHCX> (Year: 2020).*

Kid Funware Utensil Set, Feb. 20, 2013, <https://www.amazon.com/Kids-Divided-Plate-Utensils-Childrens/dp/B00M8GNB9Q> (Year: 2013).*

Dinneractive Utensil Set for Kids, Oct. 15, 2021, <https://www.amazon.com/Dinneractive-Utensil-Set-Kids-Construction/dp/B09JKWM4LB> (Year: 2021).*

Dinneractive Firefighter Set, Sep. 23, 2021, <https://www.amazon.com/Dinneractive-Utensil-Set-Kids-Firefighter> (Year: 2021).*

Glove Clip Toddler Set, May 25, 2022, <https://www.amazon.com/Yellow-Construction-Toddler-Utensils-Suitable/dp/B09W8LBWJH> (Year: 2022).*

Hebelle Toddler Set, Oct. 20, 2022, <https://www.amazon.com/Toddler-Plates-Removable-Construction-Utensils/dp/B0BB34RMYT> (Year: 2022).*

Leparta Tableware, Nov. 23, 2022, <https://www.amazon.com/Leparta-Childrens-Tableware-Bulldozer-Excavator/dp/B0BN5KBYQB> (Year: 2022).*

Gloveclip Cutlery Set, Nov. 18, 2022, <https://www.amazon.com/Toddler-Plates-Set-Construction-Removable/dp/B0BMVFGNN4> (Year: 2022).*

Covcow 3 Pieces Utensil for Kids, Oct. 6, 2021, <https://www.amazon.com/Covcow-Construction-Bulldozer-Toddlers-BPA-Free/dp/B094Y8KVX8> (Year: 2021).*

Hot6sl Construction Utensils, Jan. 3, 2023, <https://www.amazon.com/Construction-Dinneractive-Childrens-Excavator-Hot6sl/dp/B0BRQ232Y4> (Year: 2023).*

Hebelle Toddler Set, Jun. 6, 2022, <https://www.amazon.com/Toddler-Plates-Feeding-Removable-Utensils/dp/B09VZ38PN7> (Year: 2022).*

* cited by examiner

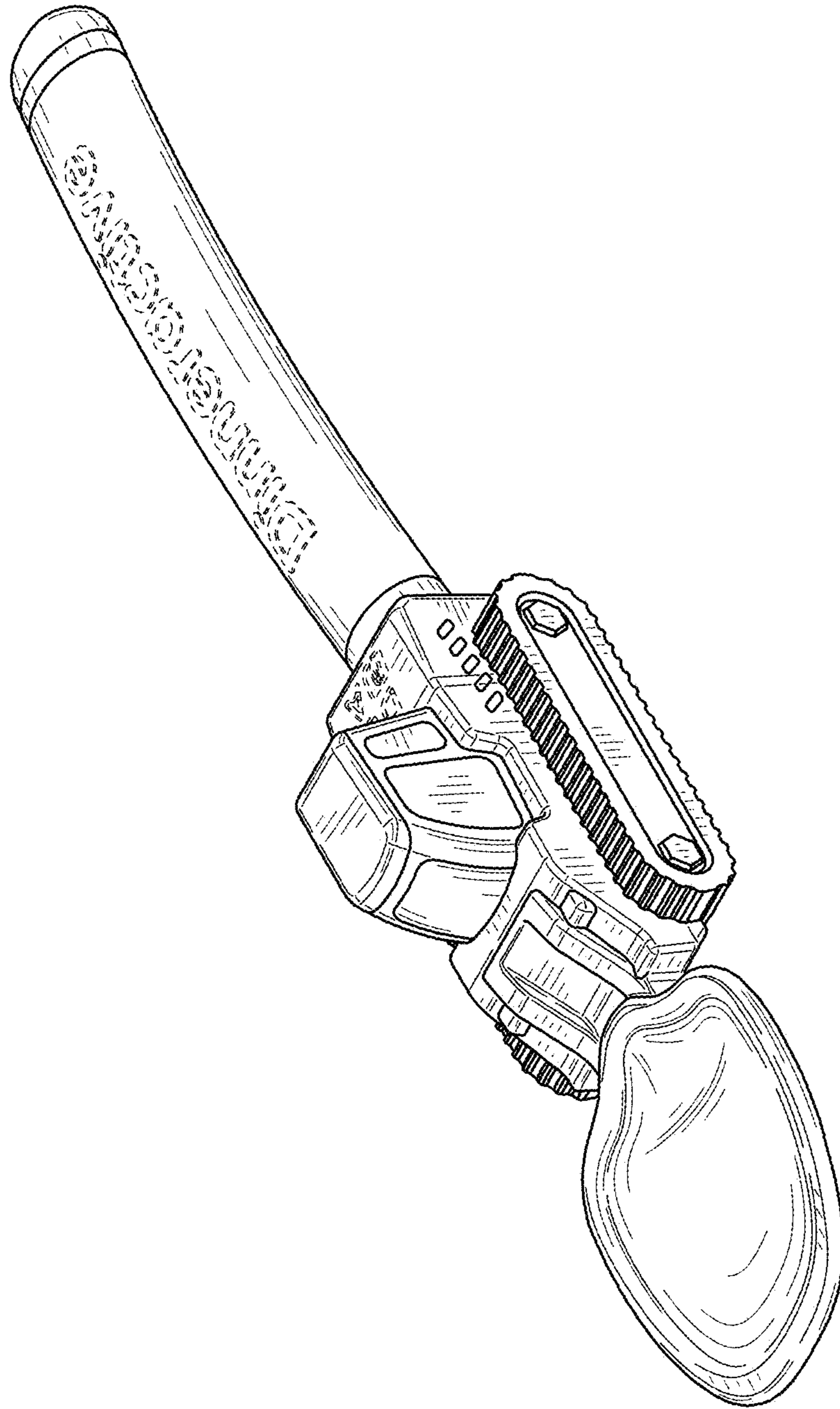


FIG. 1

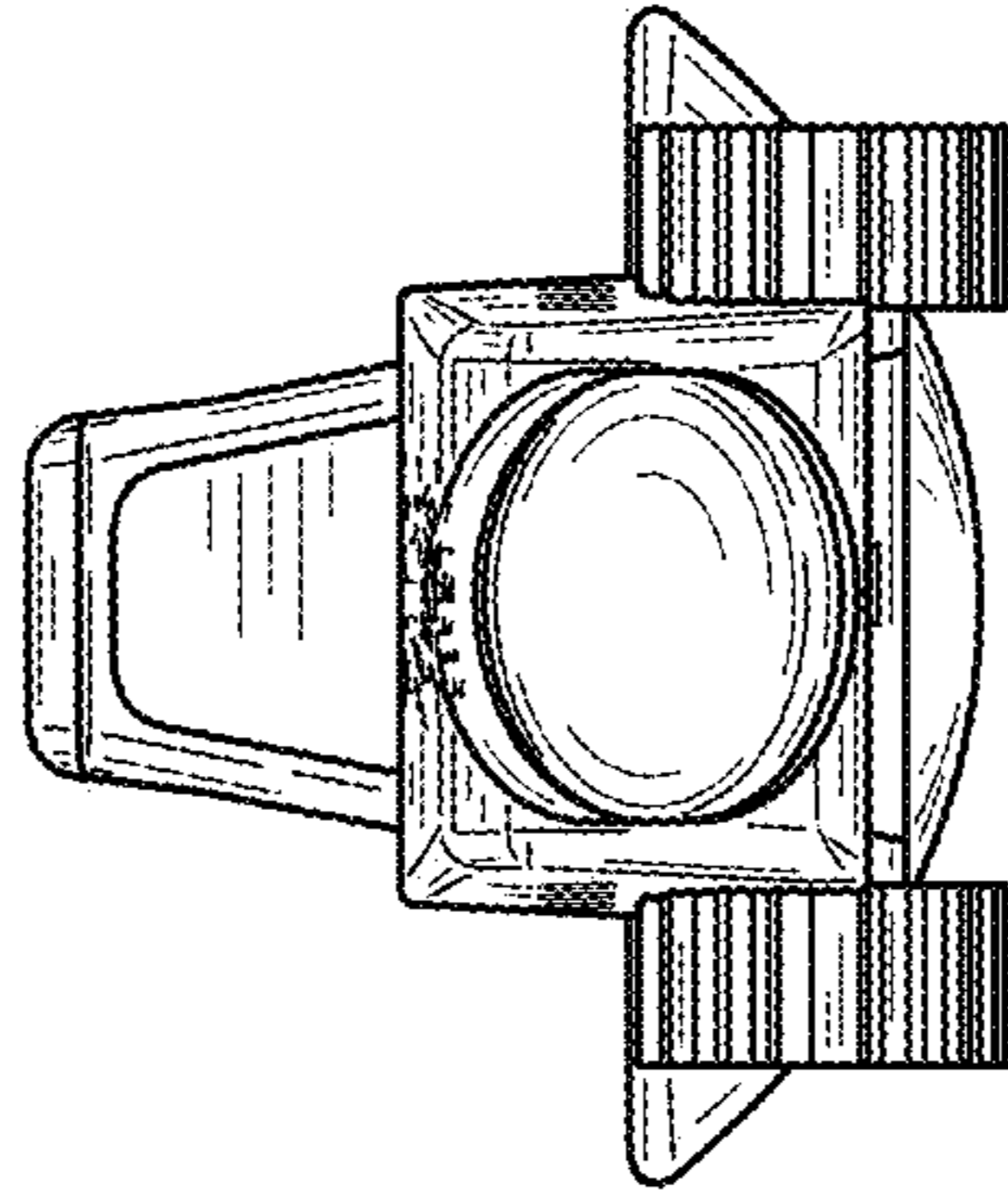


FIG. 3

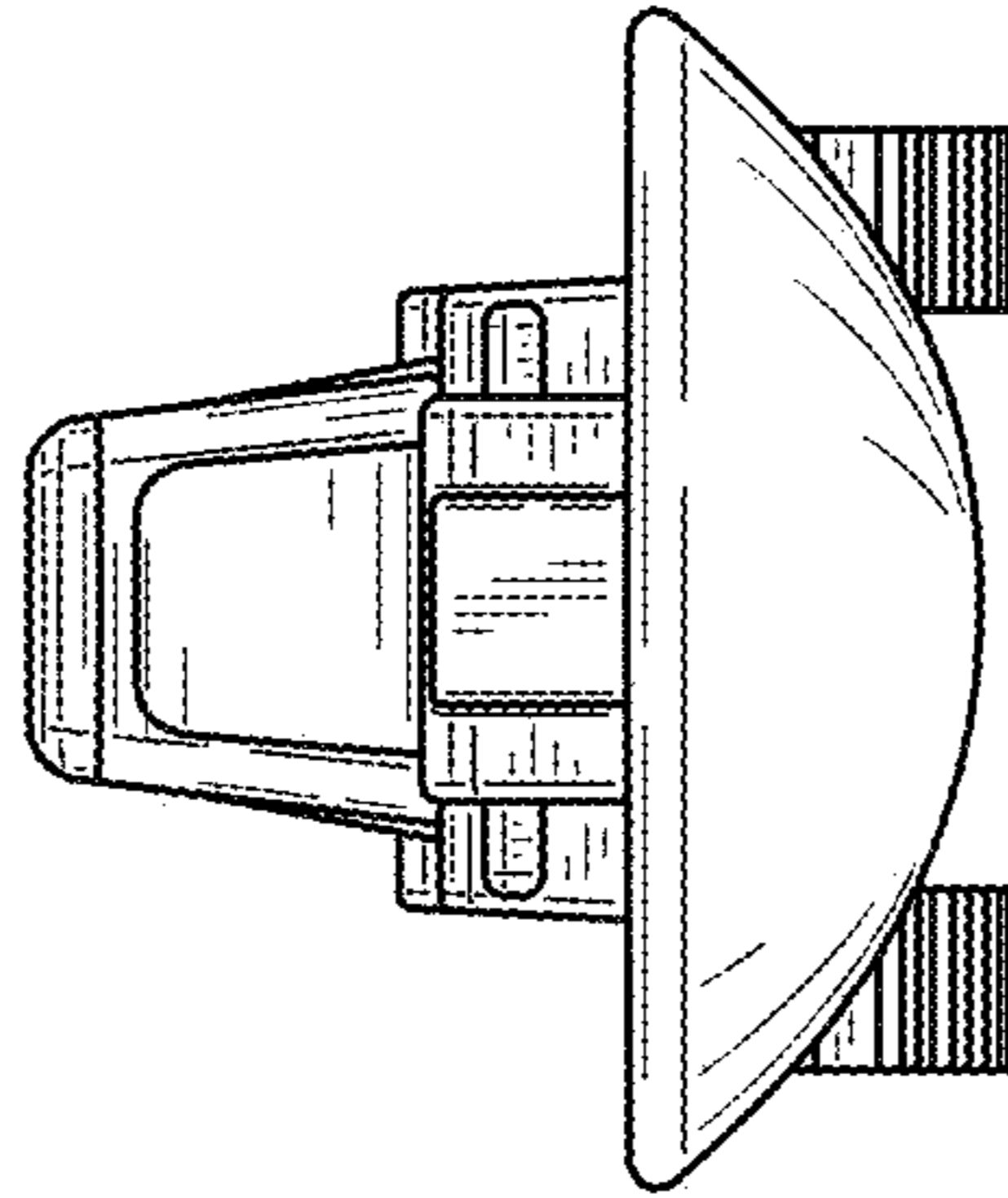


FIG. 2

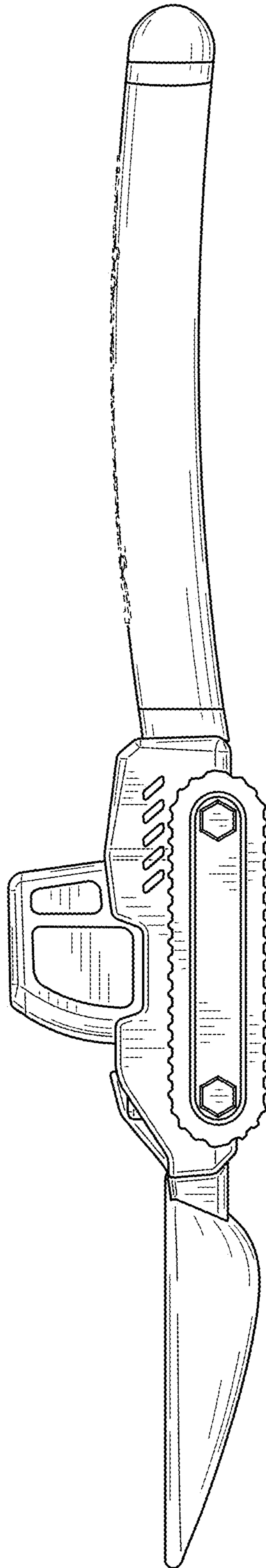


FIG. 4

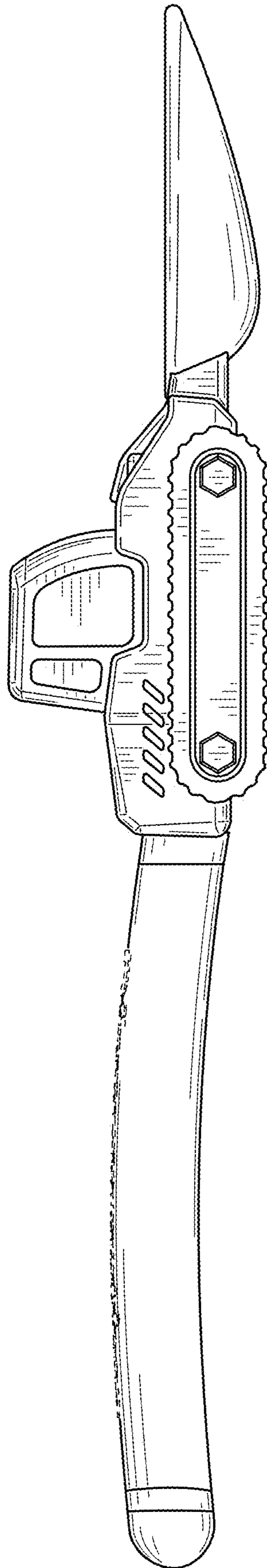


FIG. 5

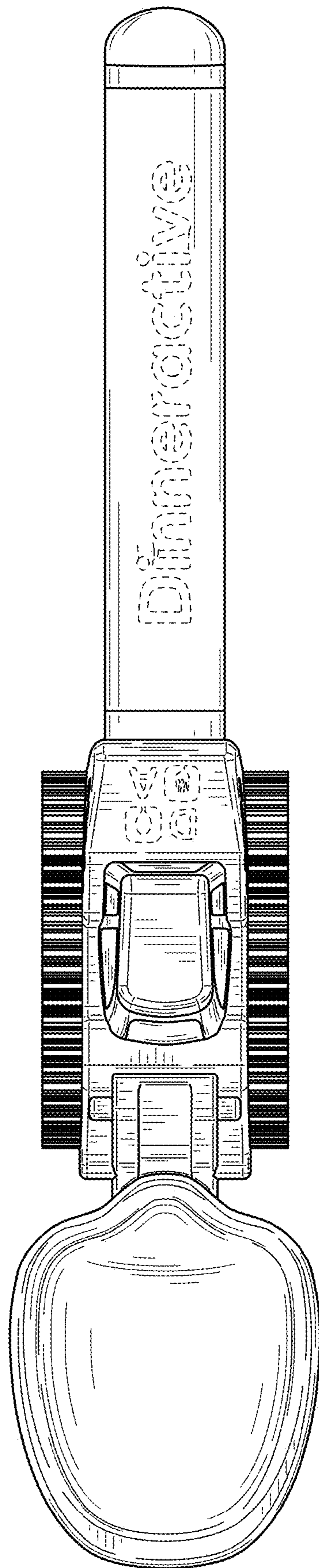


FIG. 6

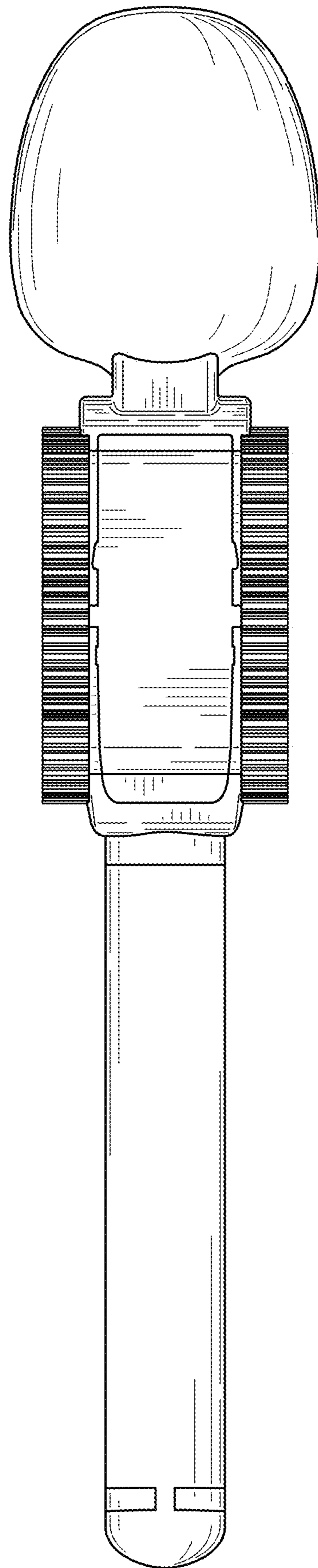


FIG. 7

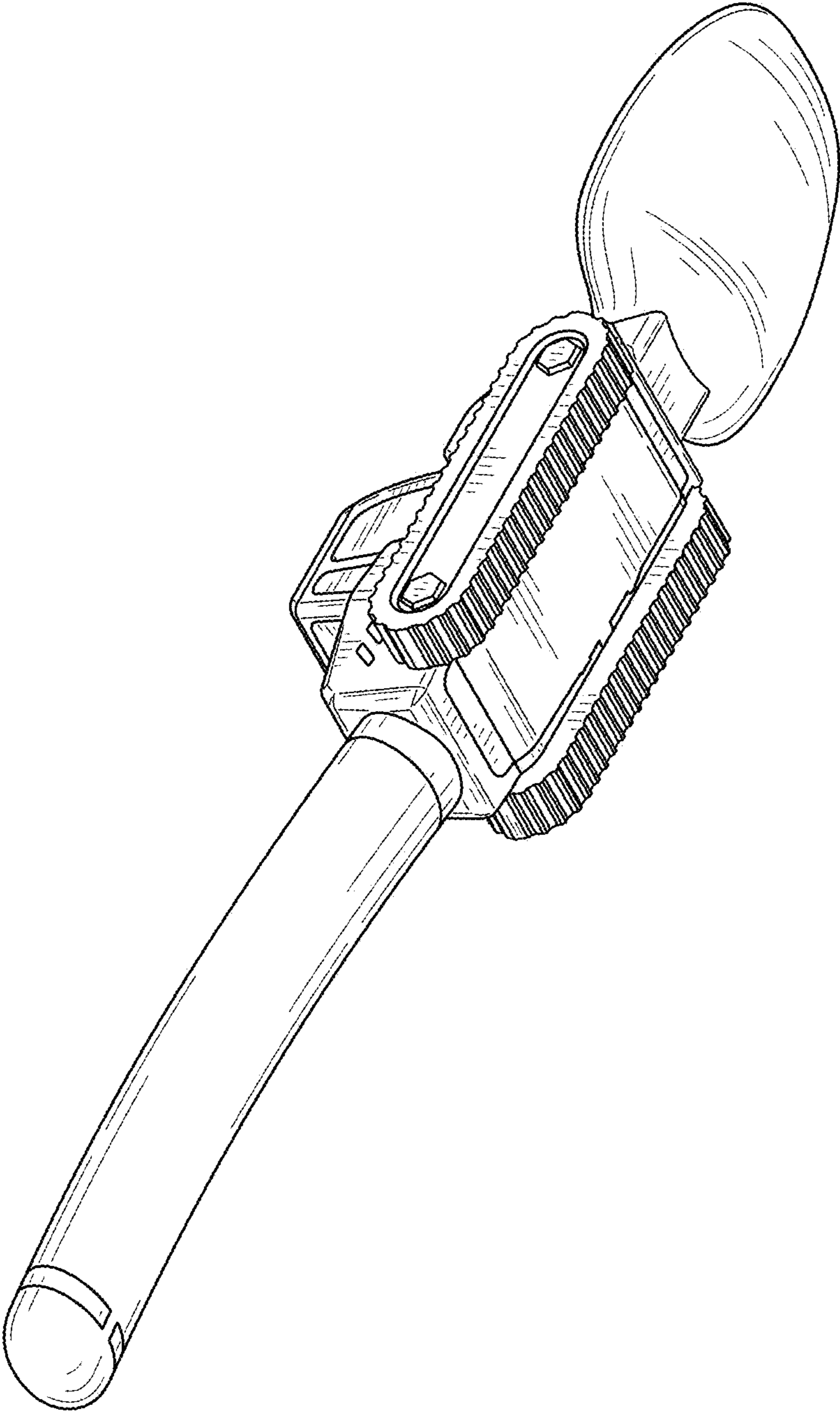


FIG. 8