



US00D988084S

(12) **United States Design Patent**  
**Fan**

(10) **Patent No.:** **US D988,084 S**

(45) **Date of Patent:** **\*\* Jun. 6, 2023**

- (54) **UTENSIL HOLDER**
- (71) Applicant: **Xi'an Wangchengchun Trading Co., Ltd., Xi'an (CN)**
- (72) Inventor: **Zhenrong Fan, Xiamen (CN)**
- (73) Assignee: **XI'AN WANGCHENGCHUN TRADING CO., LTD., Xi'an (CN)**
- (\*\*) Term: **15 Years**
- (21) Appl. No.: **29/854,120**
- (22) Filed: **Sep. 22, 2022**
- (51) **LOC (14) Cl.** ..... **07-07**
- (52) **U.S. Cl.**  
USPC ..... **D7/637**
- (58) **Field of Classification Search**  
USPC ... D7/600.1, 600.2, 601, 637-641, 701-708;  
D3/308, 310, 315; D6/528, 534;  
D19/75, 77, 81, 84, 85  
CPC ..... A47G 21/00; A47G 21/14; A47J 47/00;  
A47J 47/16  
See application file for complete search history.

D901,257 S \* 11/2020 Joseph ..... B65D 21/0204  
D7/637  
D967,675 S \* 10/2022 Hamann ..... D7/637  
2016/0367055 A1\* 12/2016 Rausch ..... B65D 21/0204

**OTHER PUBLICATIONS**

Peohud Rotating Kitchen Utensil Holder, first available Apr. 12, 2022, Amazon, [online], [site visited Jan. 4, 2023], Available from internet URL: <https://www.amazon.com/Peohud-Silverware-Organizer-Countertop-3-Section/dp/B09XR7D34N> (Year: 2022).  
Cai-Mil 1035 Iron Revolving Flatware Caddy, Tiger Chef, [online], [site visited Jan. 4, 2023], Available from internet URL: <https://www.tigerchef.com/cal-mil-1035-3-hole-iron-revolving-caddy.html> (Year: 2023).\*

\* cited by examiner

*Primary Examiner* — Catherine Ho  
*Assistant Examiner* — Natalya M Rapundalo

(57) **CLAIM**

The ornamental design for a utensil holder, as shown and described.

**DESCRIPTION**

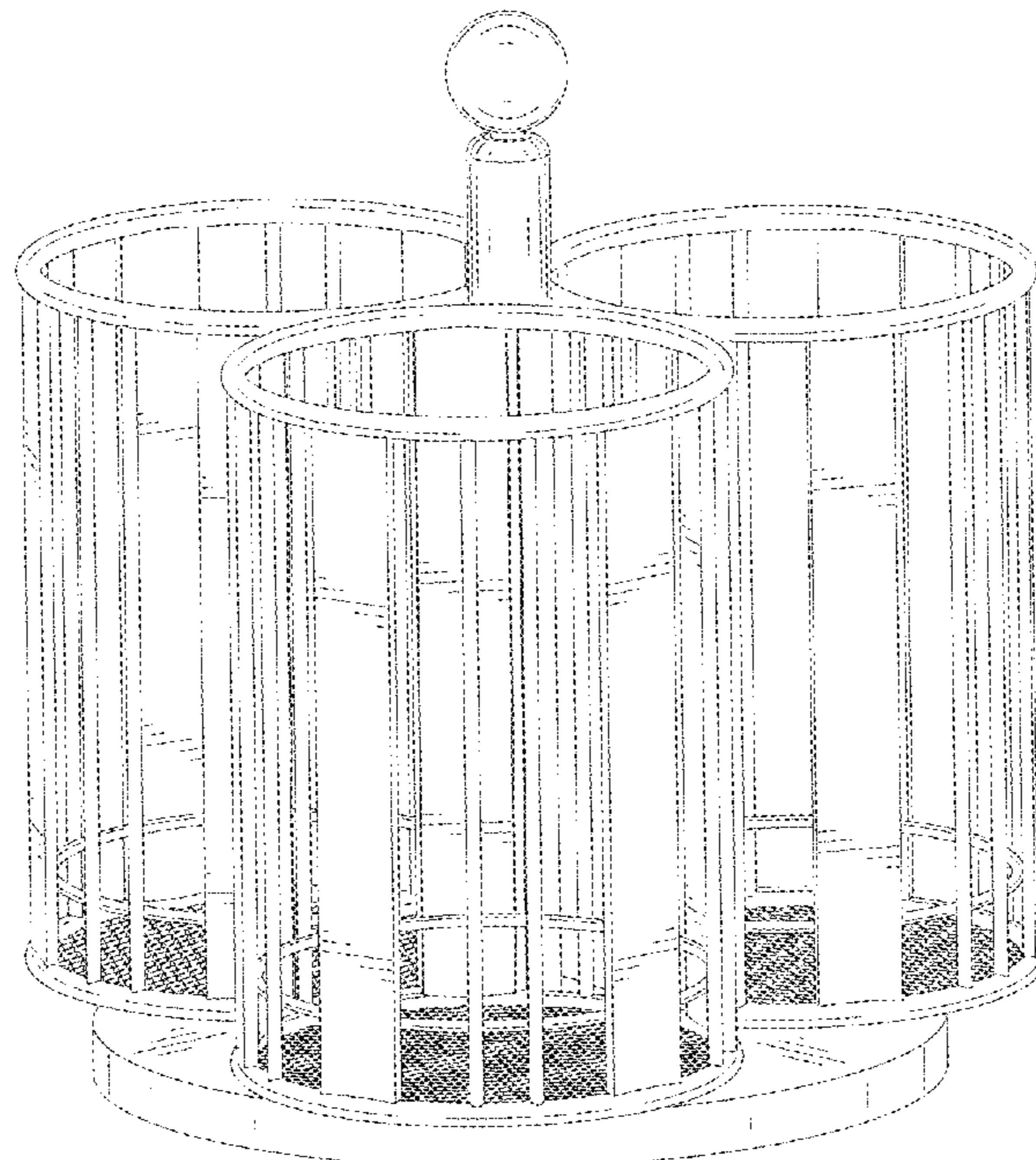
FIG. 1 is a front and top perspective view of a utensil holder, showing my new design;  
FIG. 2 is a rear and bottom perspective view thereof;  
FIG. 3 is a front elevation view thereof;  
FIG. 4 is a rear elevation view thereof;  
FIG. 5 is a left side elevation view thereof;  
FIG. 6 is a right side elevation view thereof;  
FIG. 7 is a top plan view thereof; and,  
FIG. 8 is a bottom plan view thereof.  
The broken lines in the figures illustrate portions of the utensil holder that form no part of the claimed design.

**1 Claim, 8 Drawing Sheets**

(56) **References Cited**

**U.S. PATENT DOCUMENTS**

D630,476 S	*	1/2011	Goodman	.....	D7/637
D698,209 S		1/2014	Goodman et al.		
D738,166 S	*	9/2015	Goodman	.....	D7/640
D781,664 S	*	3/2017	Goodman	.....	D7/637
D806,392 S	*	1/2018	Glick	.....	D3/315
D810,516 S	*	2/2018	Wilson	.....	D7/637
D856,093 S	*	8/2019	Goodman	.....	D7/637
D886,548 S	*	6/2020	Evans	.....	D7/637
D893,267 S	*	8/2020	Goodman	.....	D7/637



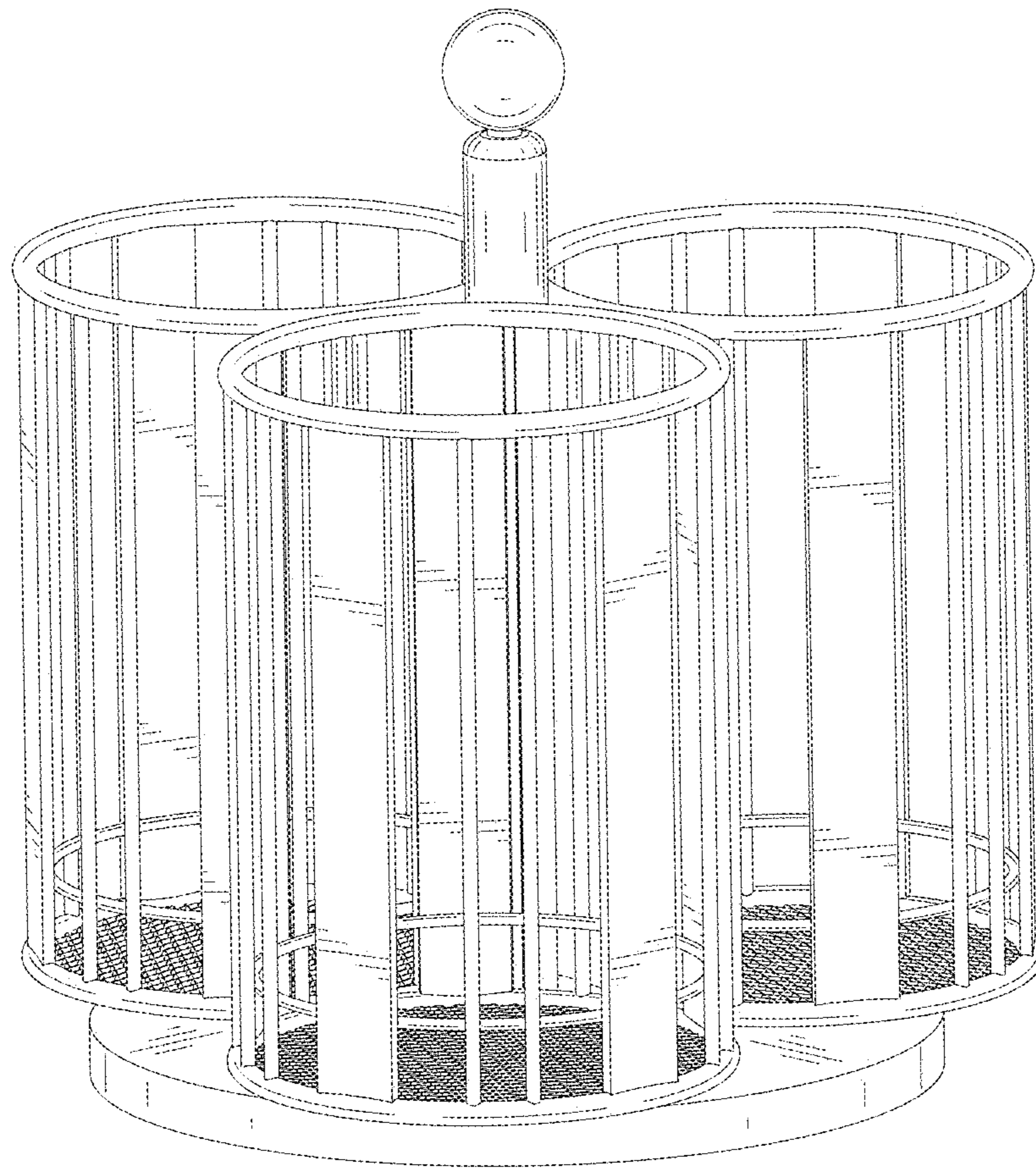


FIG. 1

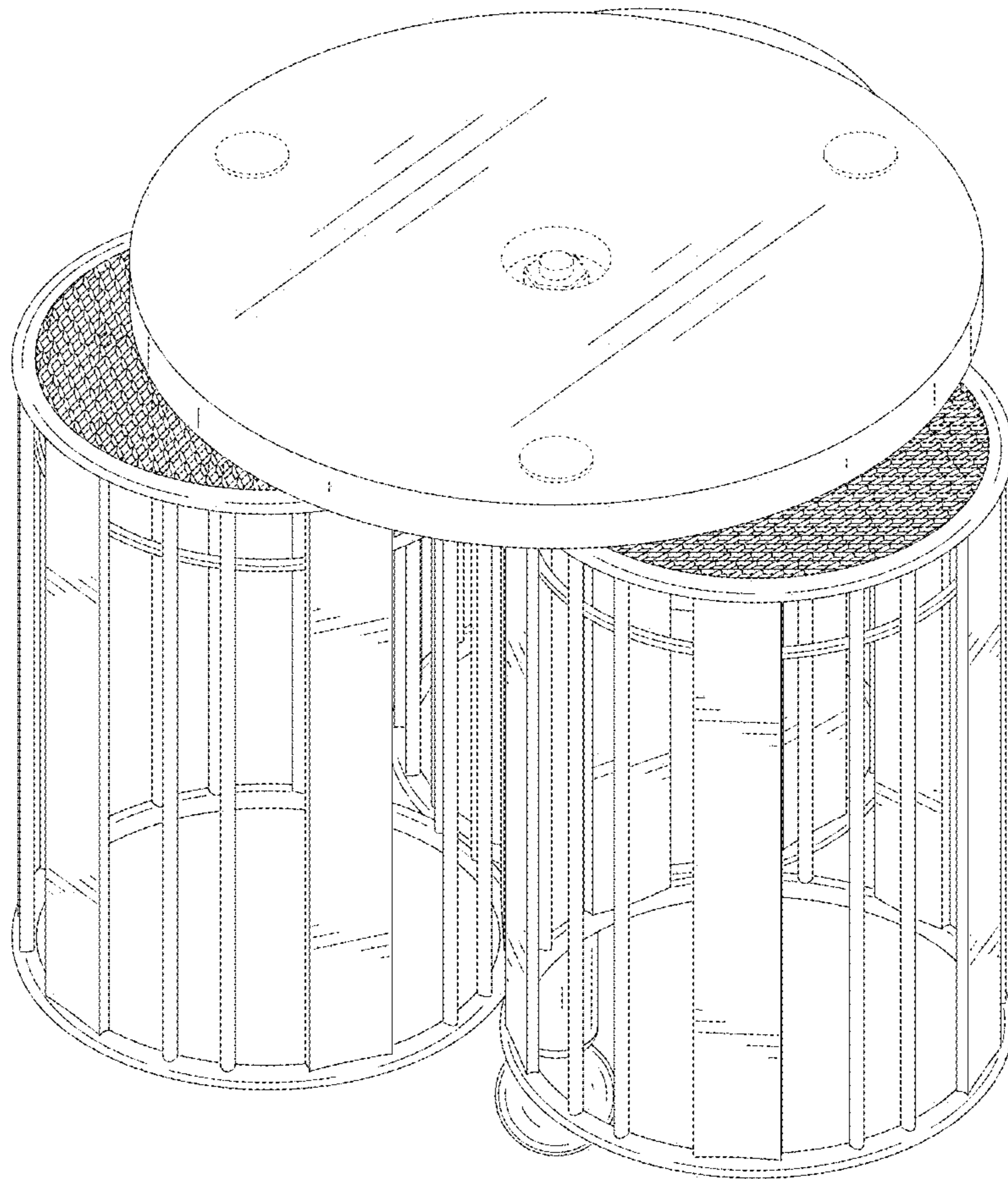


FIG. 2



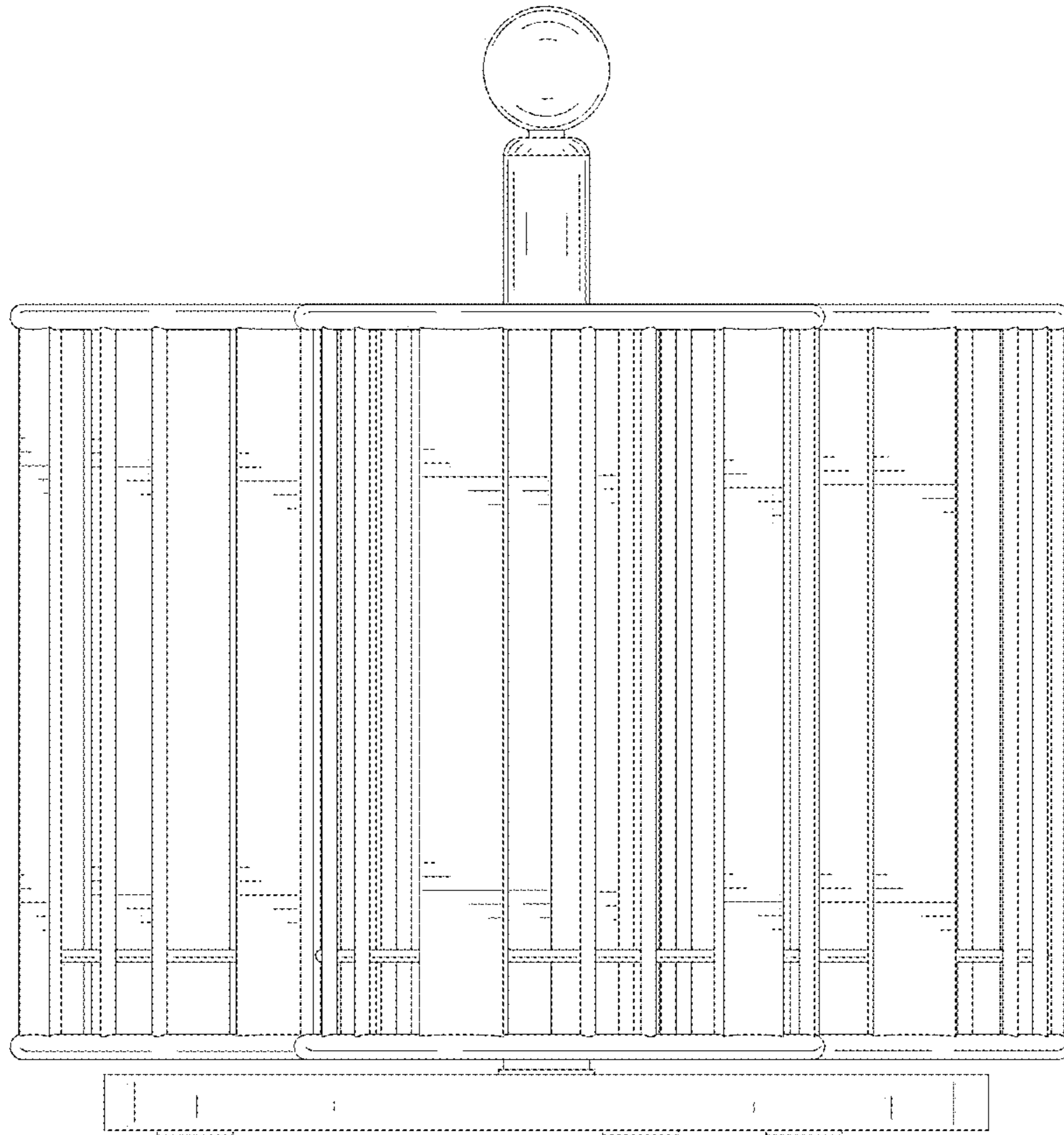


FIG. 3

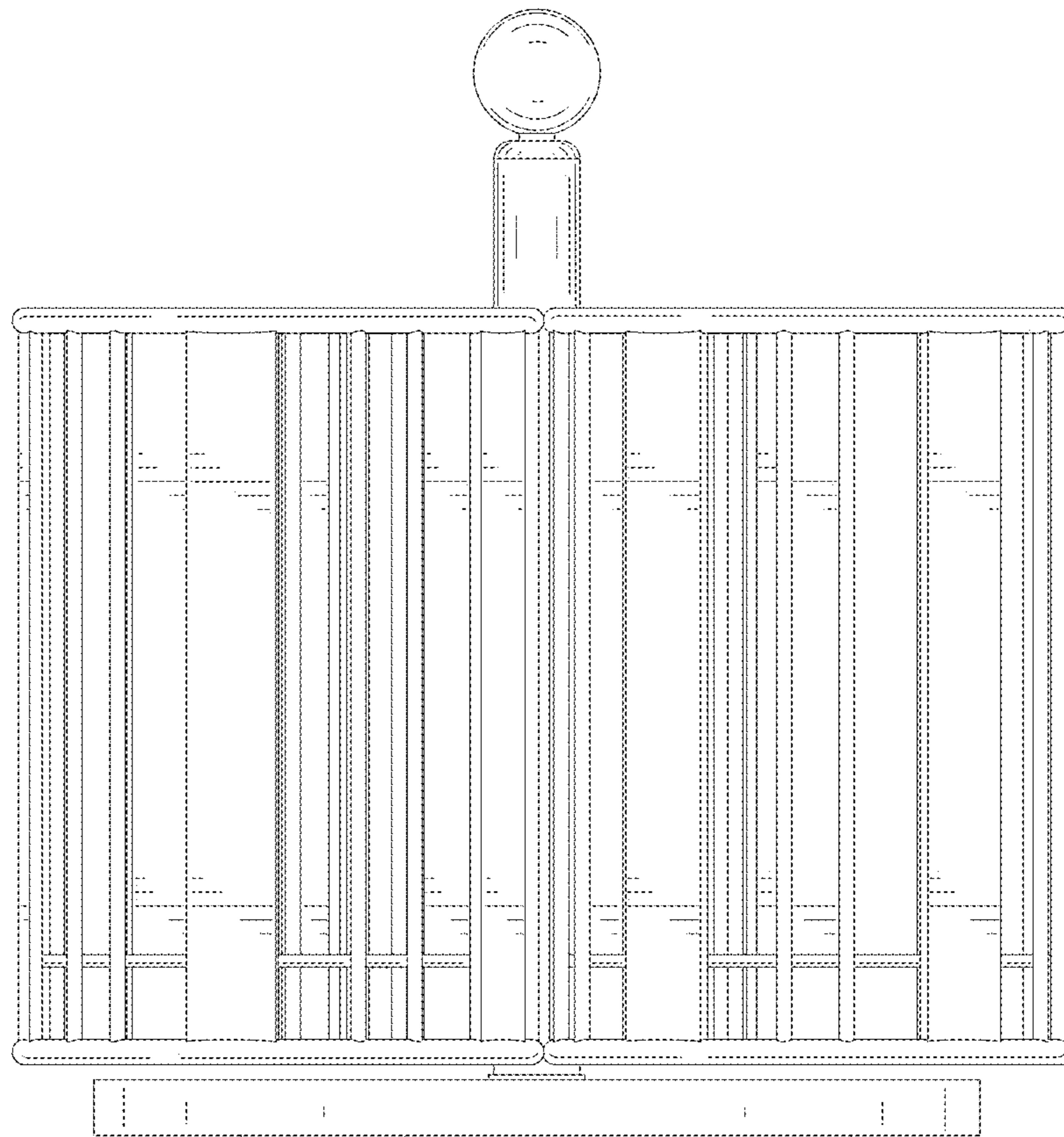


FIG. 4

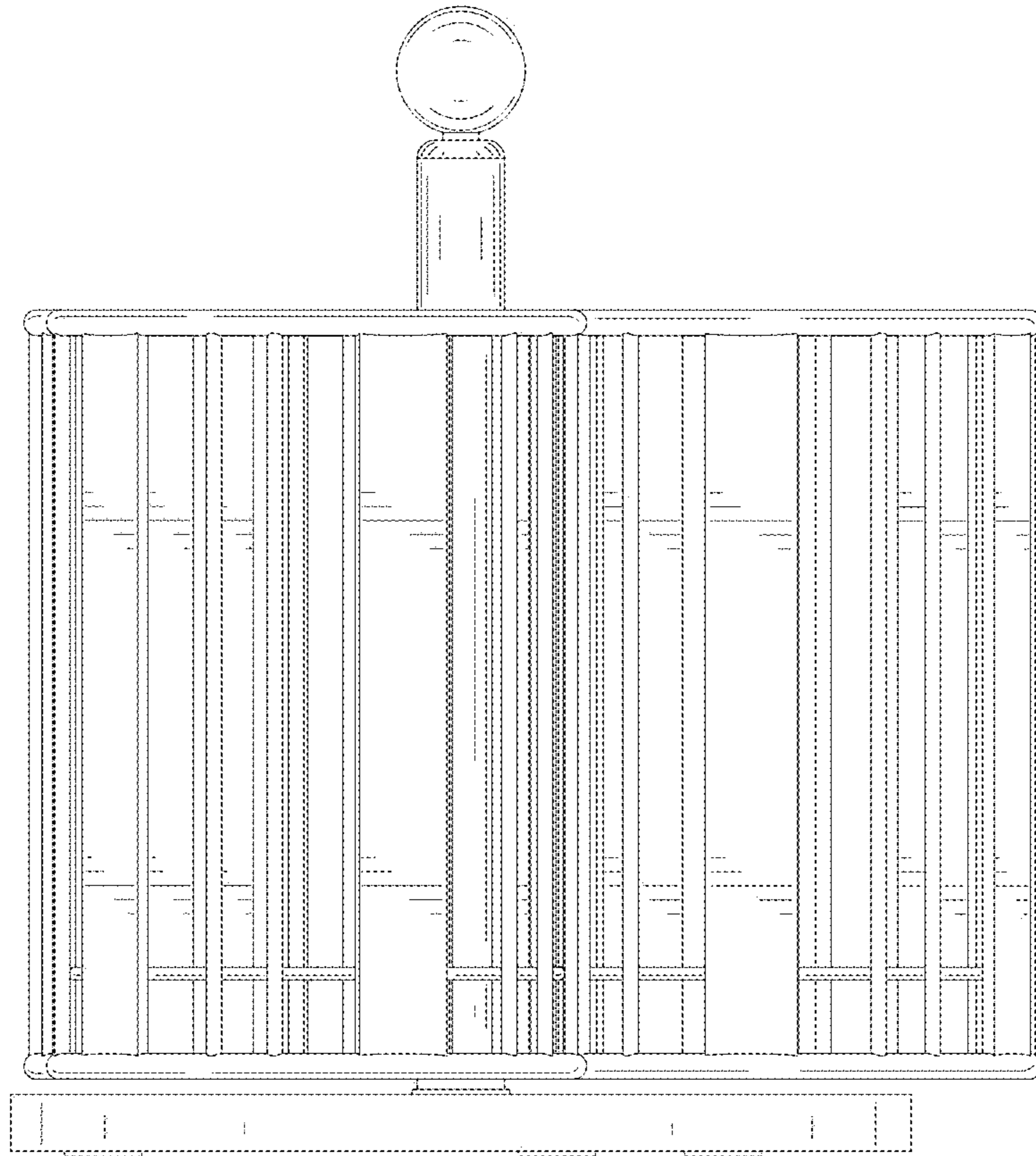


FIG. 5

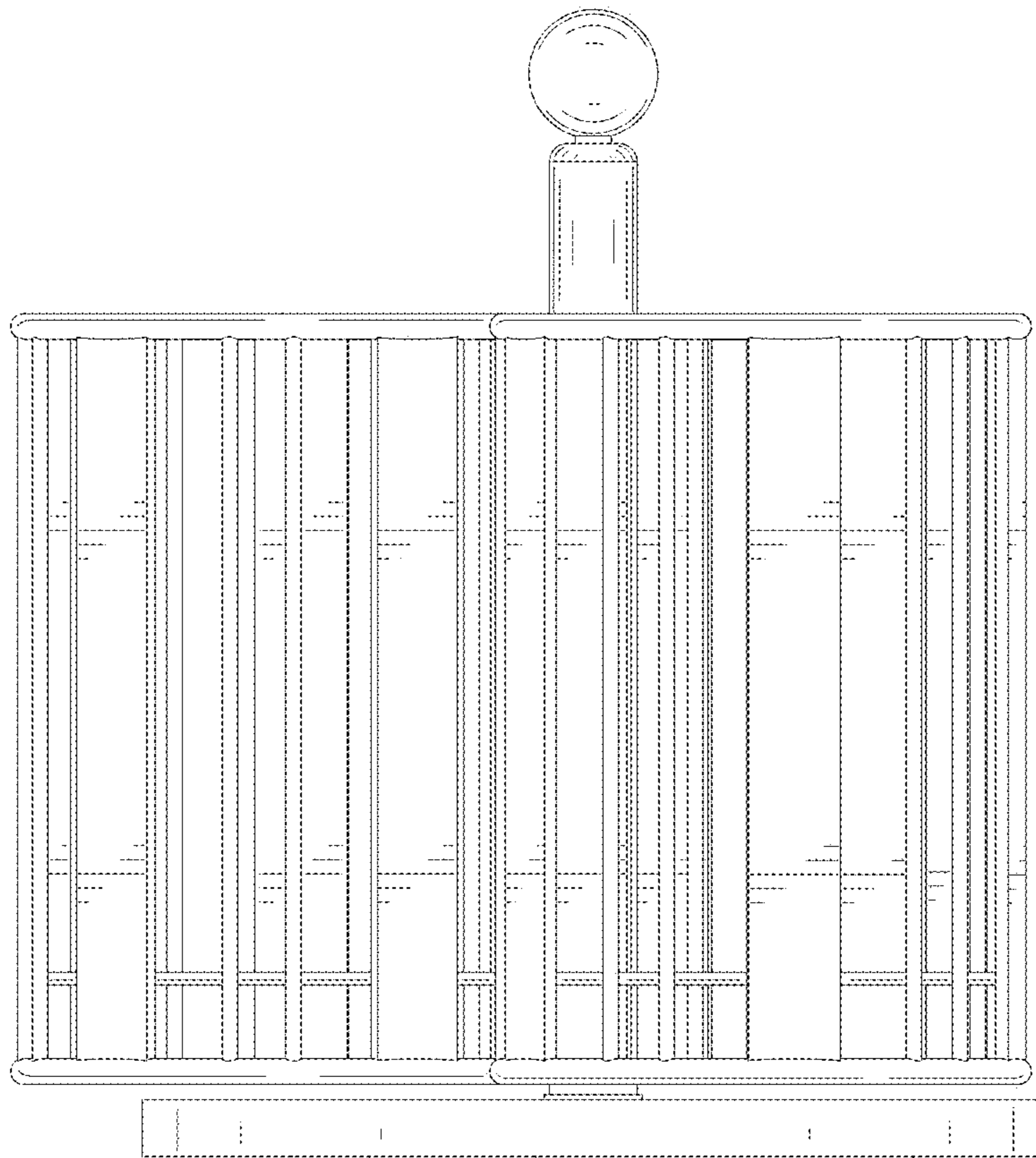


FIG. 6



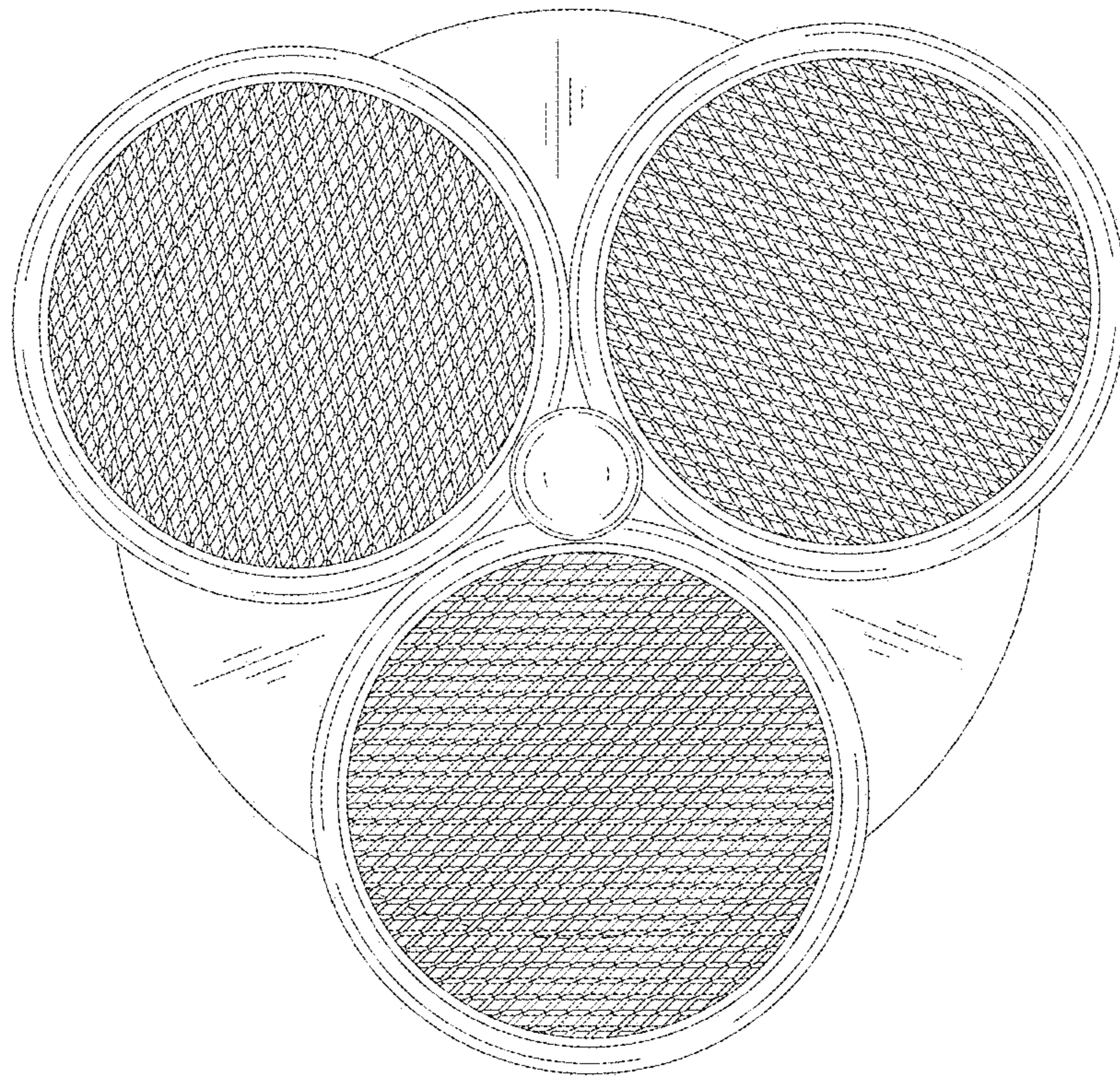


FIG. 7



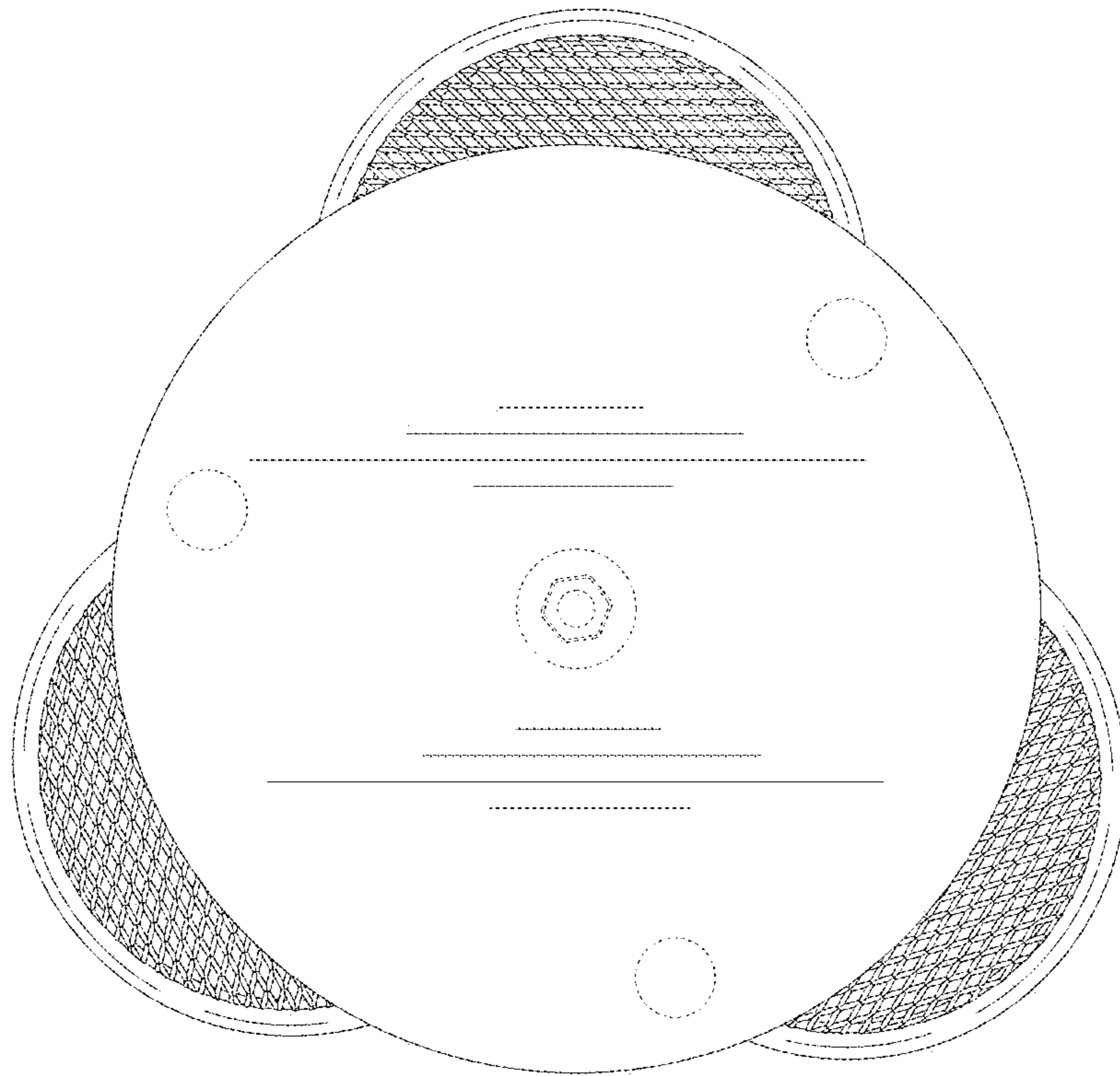


FIG. 8