



US00D988078S

(12) **United States Design Patent**  
**Pennington**

(10) **Patent No.:** **US D988,078 S**  
(45) **Date of Patent:** **\*\* Jun. 6, 2023**

(54) **INSULATED WINE GLASS**  
(71) Applicant: **Caroline Pennington**, Beaufort, SC  
(US)  
(72) Inventor: **Caroline Pennington**, Beaufort, SC  
(US)  
(\*\*) Term: **15 Years**

D715,102 S \* 10/2014 Larminaux ..... A47G 19/2205  
D720,185 S 12/2014 Kaiser  
D726,501 S \* 4/2015 Topp ..... D7/524  
D744,280 S 12/2015 Chiang  
9,271,589 B2 \* 3/2016 Stern ..... A47G 19/2205  
D760,028 S \* 6/2016 Di Giuseppantonio ..... D7/537  
9,451,842 B2 \* 9/2016 Melton ..... B29C 66/12445  
D775,898 S \* 1/2017 Ricketts ..... B29C 66/12445  
D7/537

(Continued)

(21) Appl. No.: **29/837,003**

(22) Filed: **Apr. 29, 2022**

(51) **LOC (14) Cl.** ..... **07-01**

(52) **U.S. Cl.**  
USPC ..... **D7/537**

(58) **Field of Classification Search**  
USPC ..... D7/213, 392, 392.1, 396.1, 396.2, 397,  
D7/398, 505, 507, 509, 510, 511, 513,  
D7/514, 519, 523, 524, 525, 526, 527,  
D7/528, 529, 531, 533, 536, 537, 598,  
D7/599, 608, 900; D3/202; D22/108,  
D22/116; D27/183

CPC ..... A47G 23/02; A47G 23/03; A47G 19/22;  
A47G 19/2205; A47G 19/2227; A47G  
19/2255; A47G 19/2288; A47G  
2019/2294; A47J 41/00; Y10S 220/903

See application file for complete search history.

(56) **References Cited**

**U.S. PATENT DOCUMENTS**

5,513,764 A \* 5/1996 Harrison ..... A47G 19/2255  
215/377  
D541,109 S \* 4/2007 Rocha ..... D7/526  
D623,477 S 9/2010 Ross  
D655,985 S \* 3/2012 Roberts ..... D7/525  
D662,779 S \* 7/2012 Dail ..... D7/524  
D693,176 S 11/2013 Kaiser  
D698,200 S 1/2014 Lauwagie  
8,829,824 B2 \* 9/2014 Scott ..... A47G 19/2255  
315/377

**OTHER PUBLICATIONS**

ChilledVino wine glass, posted at Amazon.com on Jan. 26, 2022,  
[site visited Dec. 14, 2022]. Available from internet, URL: <<https://www.amazon.com/dp/B09R413YP9/>> (Year: 2022).\*

(Continued)

*Primary Examiner* — Andrew Kerr  
*Assistant Examiner* — Chariton Alexakis  
(74) *Attorney, Agent, or Firm* — Gregory Finch; Finch  
Paolino, LLC

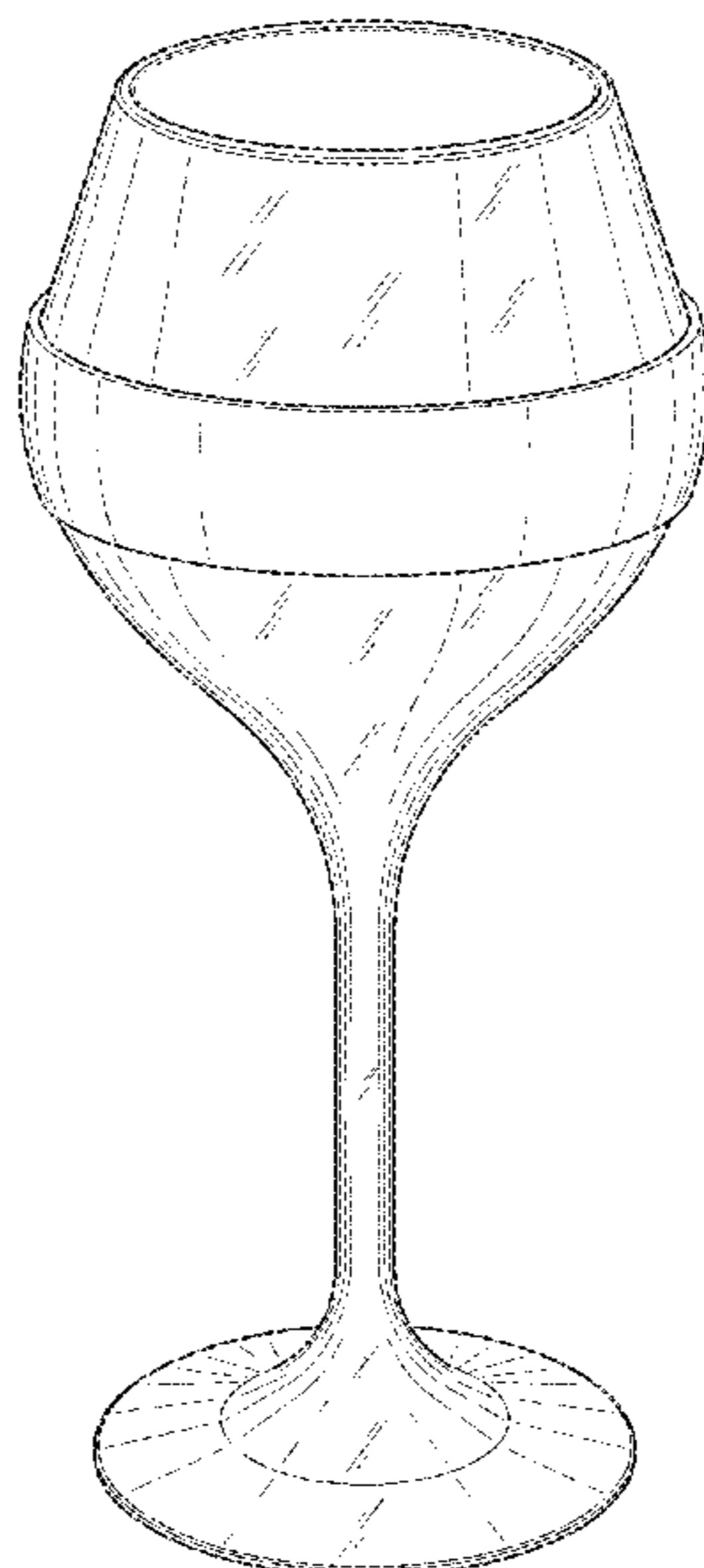
(57) **CLAIM**

The ornamental design for an insulated wine glass, as shown  
and described.

**DESCRIPTION**

FIG. 1 is an isometric view of an insulated wine glass,  
showing my new design;  
FIG. 2 is a front elevation view thereof;  
FIG. 3 is a rear elevation view thereof;  
FIG. 4 is a right-side elevation view thereof;  
FIG. 5 is a left-side elevation view thereof;  
FIG. 6 is a top plan view thereof; and,  
FIG. 7 is a bottom plan view thereof.  
The broken lines in the drawings depict portions of the  
insulated wine glass that form no part of the claimed design.

**1 Claim, 7 Drawing Sheets**



(56)

**References Cited**

U.S. PATENT DOCUMENTS

D779,274 S \* 2/2017 Rashid ..... A47G 19/2205  
D7/525  
D780,519 S \* 3/2017 Karussi ..... A47G 19/2205  
D7/524  
D787,271 S \* 5/2017 Eberhard ..... A47G 19/2255  
D7/537  
D789,746 S \* 6/2017 Wei ..... A47G 19/2205  
D7/598  
D800,504 S \* 10/2017 Di Giuseppantonio .....  
A47G 19/2255  
D7/537  
D805,850 S \* 12/2017 De Martelaere ... B65D 43/0229  
D7/604  
D848,791 S 5/2019 Khayman  
D872,527 S \* 1/2020 Beaussant ..... A47G 19/2205  
D7/396.6  
D964,807 S \* 9/2022 Carr ..... A47G 19/2255  
D7/537  
2011/0174763 A1\* 7/2011 Kennedy ..... A47G 19/2255  
215/377

2014/0291335 A1\* 10/2014 Lee ..... A47G 19/2205  
220/630  
2014/0299601 A1\* 10/2014 Schiavone ..... B65D 43/0229  
220/288  
2015/0289692 A1\* 10/2015 Bell ..... A47G 19/2255  
29/455.1  
2016/0242583 A1\* 8/2016 Eberhard ..... A47G 19/2205

OTHER PUBLICATIONS

Host Wine Freeze Cup, posted at Amazon.com on Jun. 12, 2013, [site visited Dec. 15, 2022]. Available from internet, URL: <<https://www.amazon.com/dp/B00CH67Y54/>> (Year: 2013).\*  
ChilledVino@Instagram, posted at Instagram.com on Jul. 24, 2021, [site visited Dec. 14, 2022]. Available from internet, URL: <<https://www.instagram.com/p/CRtkwhcL3aw/>> (Year: 2021).\*  
Host Wine Freeze Double-Walled Stemmed Wine Glasses, posted at Amazon.com on Jan. 25, 2022, [site visited ]. Available from internet, URL: <<https://www.amazon.com/dp/B09R6MQ99G/>> (Year: 2022).\*

\* cited by examiner

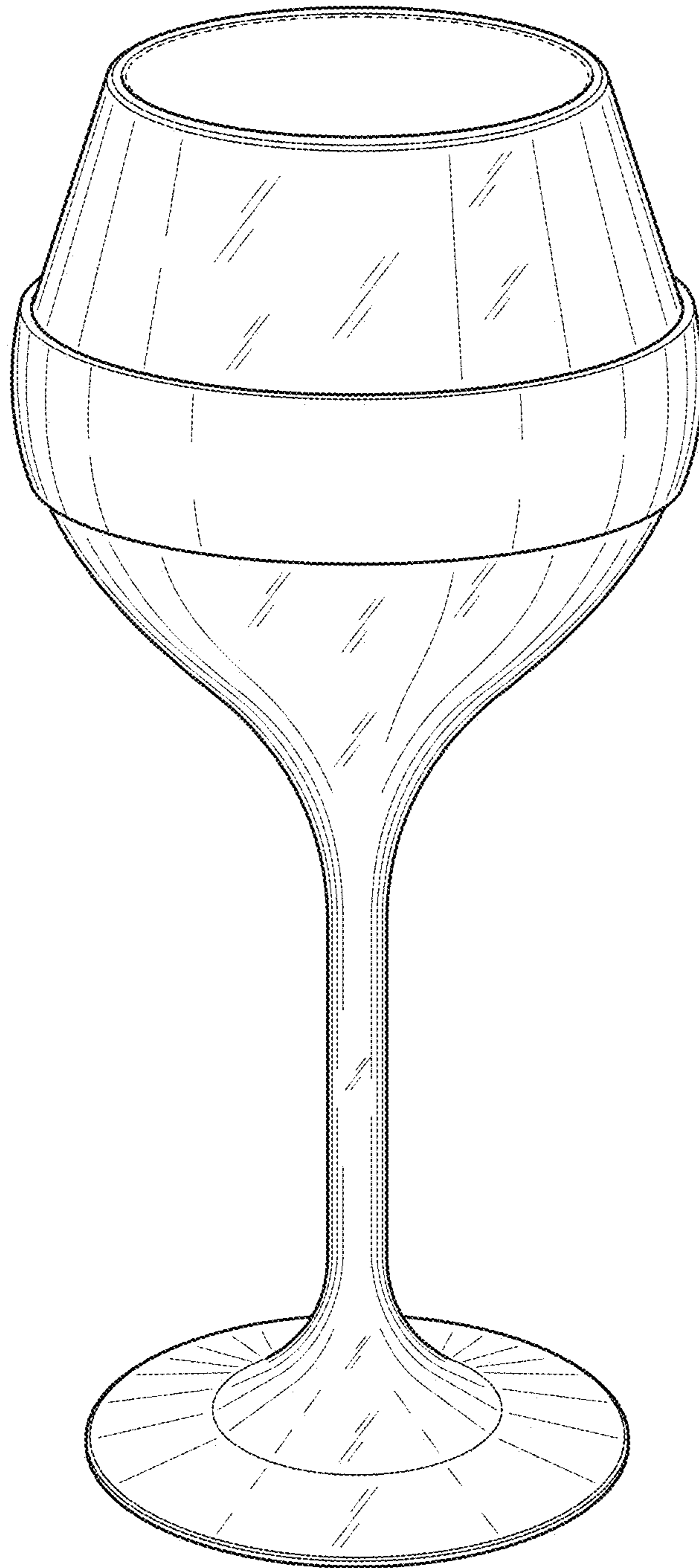


Fig. 1

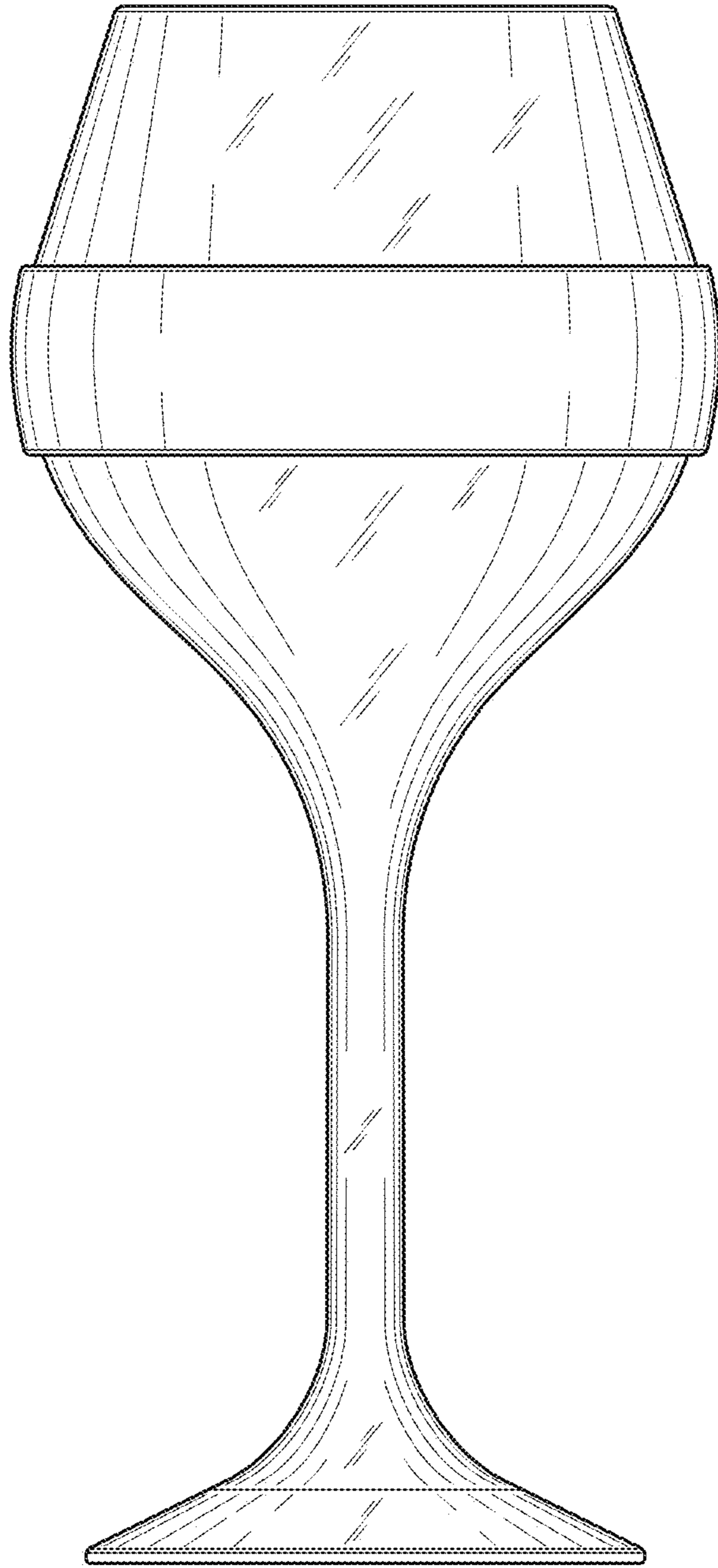


Fig. 2

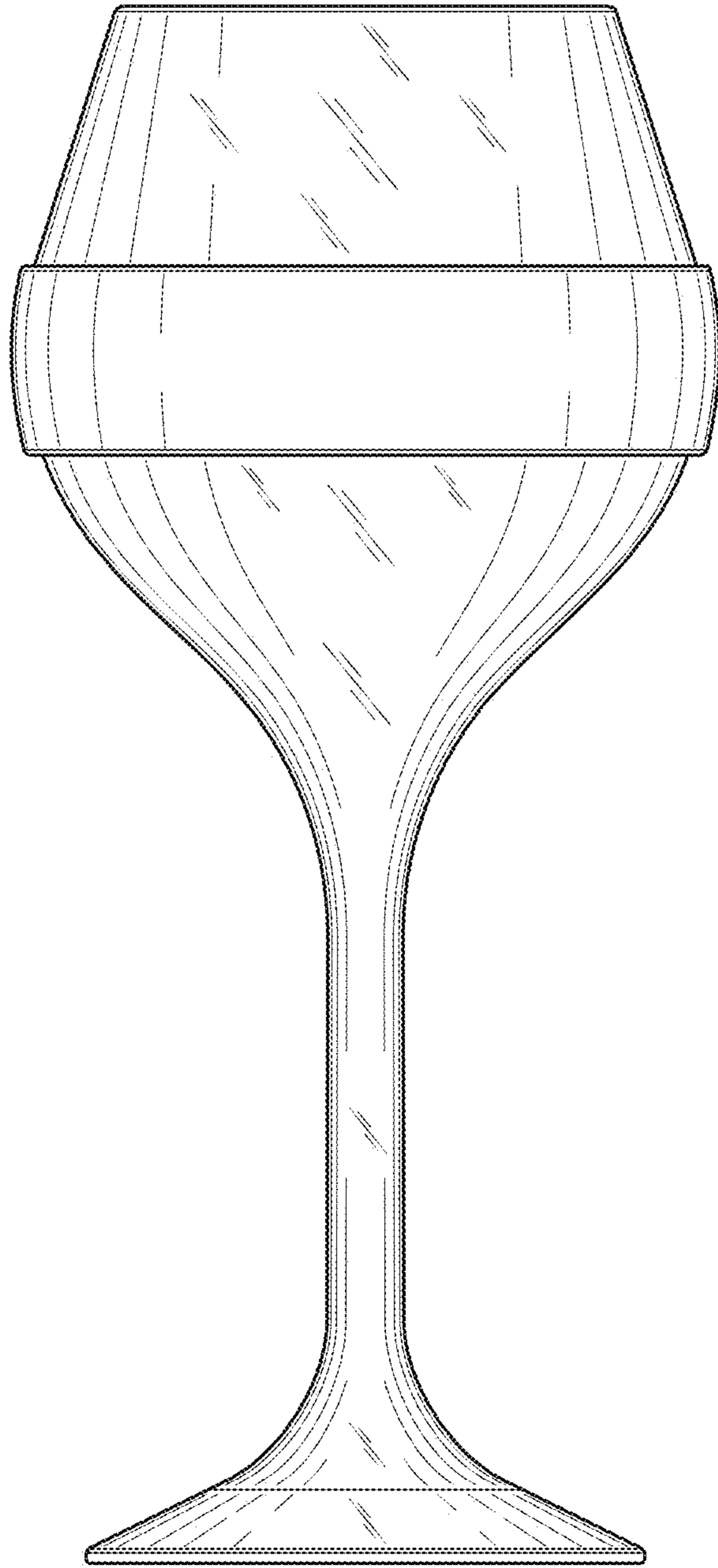


Fig. 3

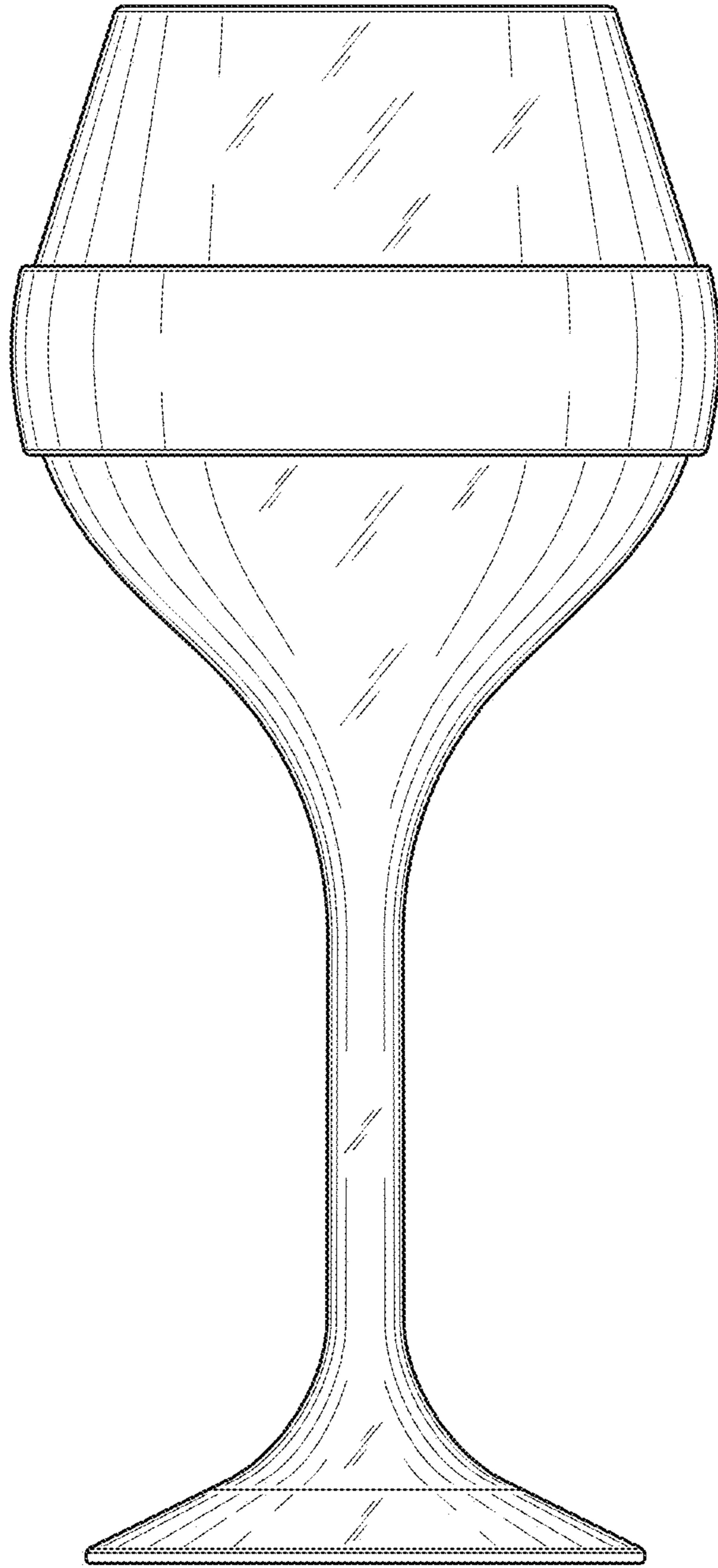


Fig. 4

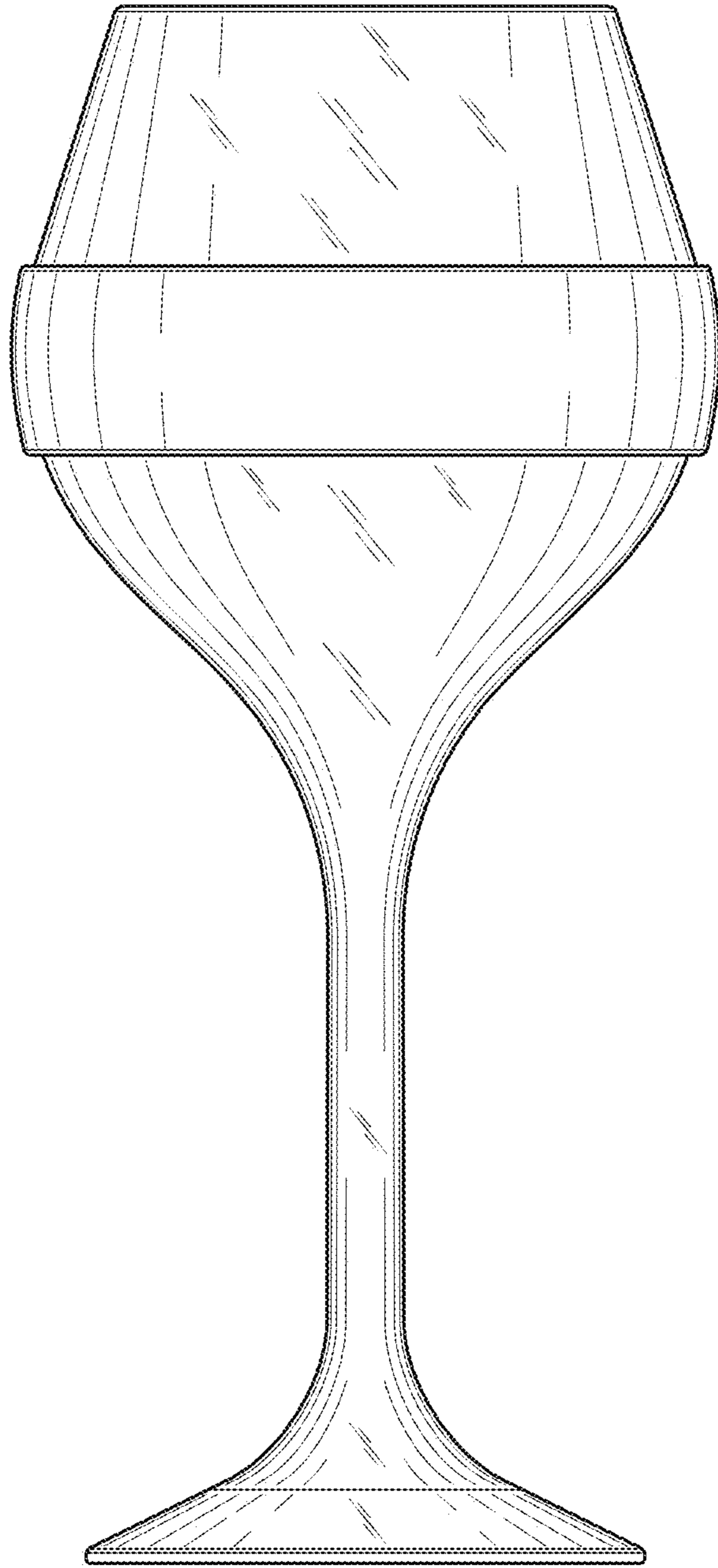


Fig. 5

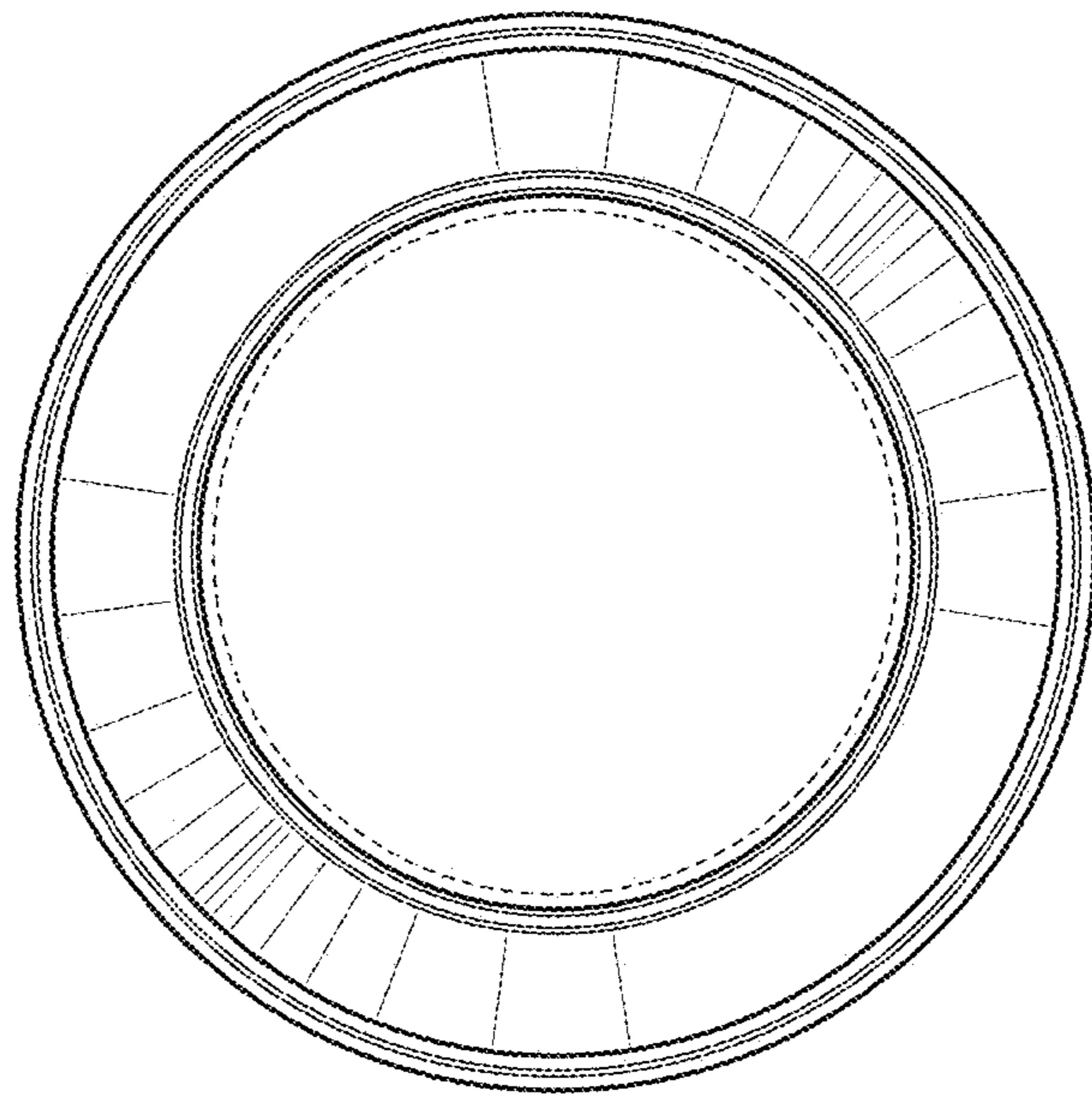


Fig. 6



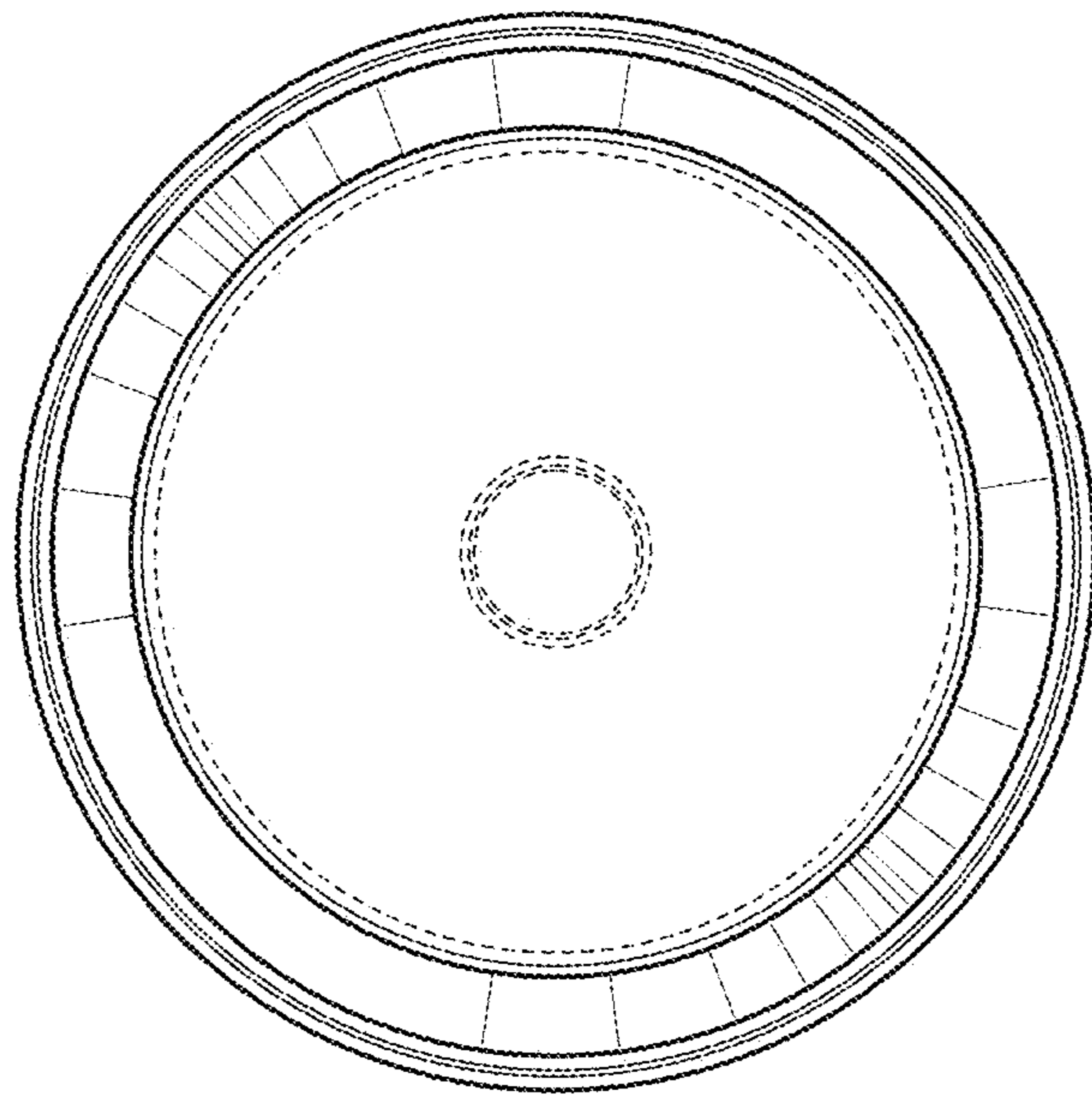


Fig. 7