



US00D988077S

(12) **United States Design Patent**
Li

(10) **Patent No.:** **US D988,077 S**

(45) **Date of Patent:** **** Jun. 6, 2023**

(54) **BOTTLE LID**

(71) Applicant: **NINGBO JUFU INTELLIGENT TECHNOLOGY CO., LTD.**, Yuyao (CN)

(72) Inventor: **Xiuxiu Li**, Chuzhou (CN)

(**) Term: **15 Years**

(21) Appl. No.: **29/783,639**

(22) Filed: **May 14, 2021**

(51) **LOC (14) Cl.** **07-99**

(52) **U.S. Cl.**
USPC **D7/396.2; D7/392.1**

(58) **Field of Classification Search**
USPC D7/300.1, 378, 392, 392.1, 396.2, 510, D7/511, 532; D9/443, 449, 450, 453, D9/503, 516; D3/202
CPC A47G 19/2266; A45F 3/16; C02F 1/002; B65D 41/04; B65D 83/205; B65D 83/206
See application file for complete search history.

(56) **References Cited**

U.S. PATENT DOCUMENTS

D473,423 S *	4/2003	Rhoad	D7/392.1
D652,256 S *	1/2012	Eyal	D7/510
D719,780 S *	12/2014	Sullivan	D7/392.1
D748,943 S *	2/2016	Miller	D7/392.1
D781,104 S *	3/2017	Cerasani	D7/300.1
D787,886 S *	5/2017	Cerasani	D7/532
D802,366 S *	11/2017	Cerasani	D7/532
D808,711 S *	1/2018	Joseph	D7/392.1
D808,713 S *	1/2018	Rane	D9/443
D811,162 S *	2/2018	Rane	D9/449
D811,810 S *	3/2018	Joseph	D7/392.1
D812,970 S *	3/2018	Rane	D9/449
D814,855 S *	4/2018	Hammer	D7/392.1
D821,135 S *	6/2018	Rane	D7/378
D821,809 S *	7/2018	Rane	D9/449

D823,061 S *	7/2018	Murosky	D9/503
D838,549 S *	1/2019	Gu	D3/202
D862,985 S *	10/2019	Backs	D7/511

(Continued)

FOREIGN PATENT DOCUMENTS

GB	6154981	*	8/2021
GB	6209981	*	5/2022

OTHER PUBLICATIONS

[Simple Modern Insulated Straw Lid], available in Amazon.com, date first available Apr. 3, 2019 [online], [site visited Dec. 7, 2022], available from the internet URL: <https://www.amazon.com/Simple-Modern-Insulated-Straw-Lid/dp/B07QF2Q81H> (Year: 2019).*

(Continued)

Primary Examiner — Jae Liang
Assistant Examiner — Ji Sun Yoon
(74) *Attorney, Agent, or Firm* — Daniel M. Cohn;
Howard M. Cohn

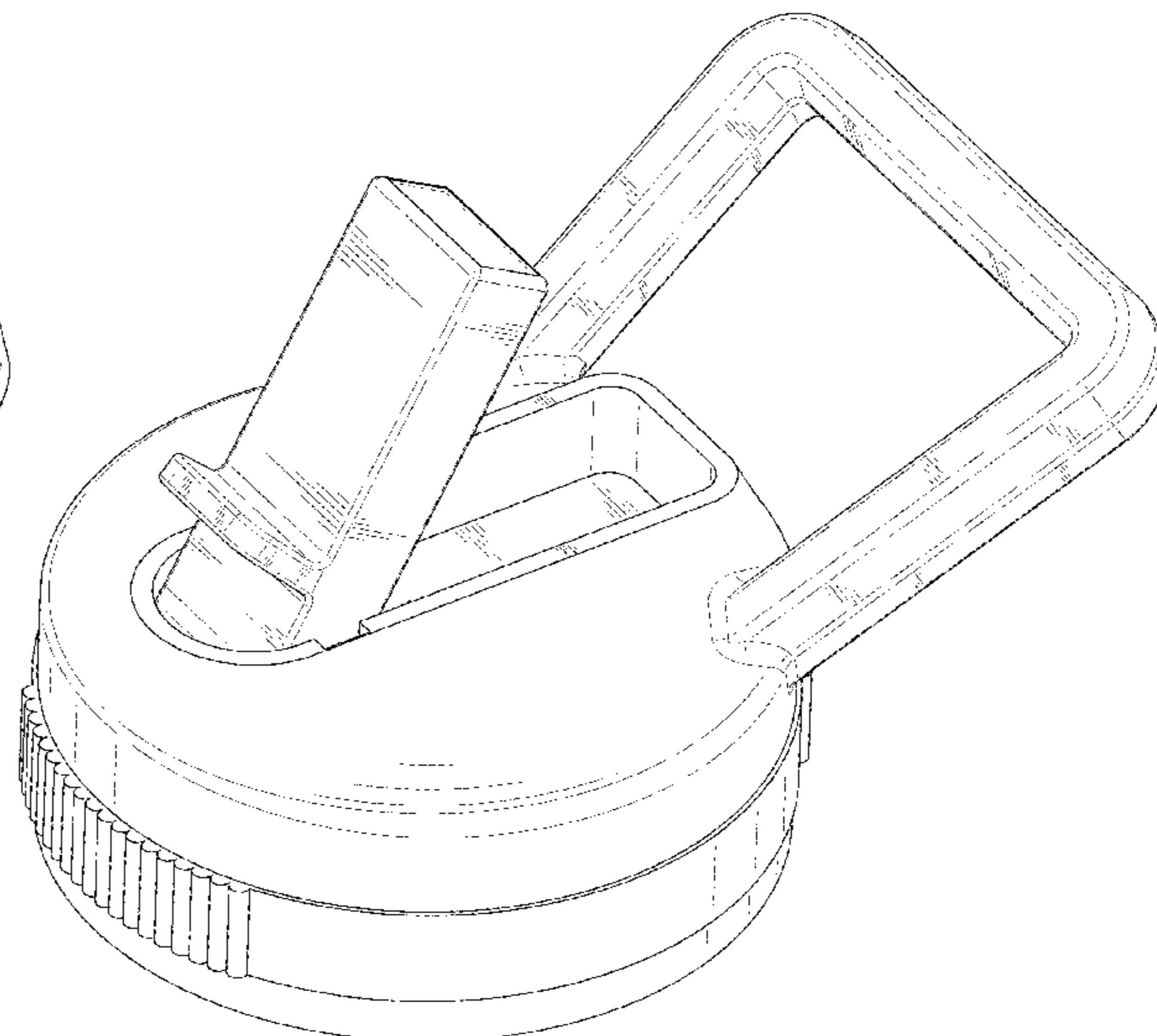
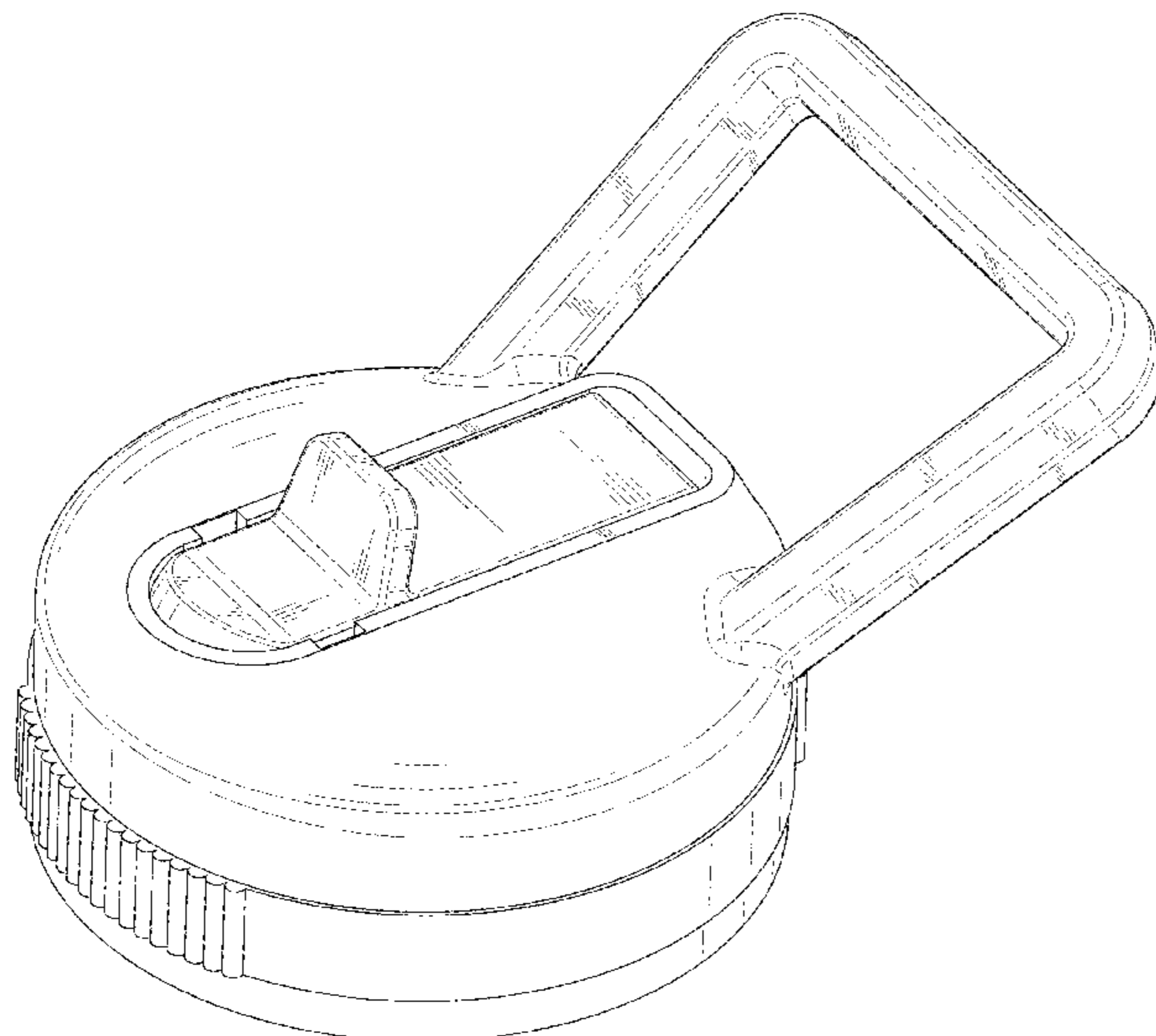
(57) **CLAIM**

The ornamental design for a bottle lid, as shown and described.

DESCRIPTION

FIG. 1 is a perspective view of a bottle lid showing my new design;
FIG. 2 is another perspective view thereof;
FIG. 3 is a front elevational view thereof;
FIG. 4 is a rear elevational view thereof;
FIG. 5 is a left side elevational view thereof;
FIG. 6 is a right side elevational view thereof;
FIG. 7 is a top plan view thereof;
FIG. 8 is a bottom plan view thereof; and,
FIG. 9 is a perspective view of the bottle lid where the bottle lid is in a configuration of use.
The broken lines in the drawings depict portions of the bottle lid that form no part of the claimed design.

1 Claim, 9 Drawing Sheets



(56)

References Cited

U.S. PATENT DOCUMENTS

D887,781 S * 6/2020 Bergström D7/532
 D897,760 S * 10/2020 Feng D9/453
 D897,781 S * 10/2020 Hirsch D7/511
 D899,849 S * 10/2020 Zhang D9/449
 D899,850 S * 10/2020 Xie D7/392.1
 D900,537 S * 11/2020 Yao D7/392.1
 D901,977 S * 11/2020 Crampton D7/511
 D911,101 S * 2/2021 Fang D9/450
 D914,441 S * 3/2021 Zhang D7/392.1
 D917,953 S * 5/2021 Yao D9/516
 D917,956 S * 5/2021 Yao D9/516
 D938,223 S * 12/2021 Chen D7/392.1
 D939,271 S * 12/2021 Chen D7/392.1
 D939,887 S * 1/2022 Hao D7/392.1
 D939,888 S * 1/2022 Wang D7/392.1
 D949,628 S * 4/2022 Xia D7/510
 D950,306 S * 5/2022 Peng D7/392.1
 D953,105 S * 5/2022 Ames D7/392
 D954,493 S * 6/2022 Harris D7/392.1

D954,495 S * 6/2022 Wang D7/392.1
 D955,162 S * 6/2022 Ames D7/392.1
 D955,163 S * 6/2022 Wu D7/392.1
 D955,173 S * 6/2022 Smith D7/511
 D955,174 S * 6/2022 Smith D7/511
 D958,590 S * 7/2022 Bergstrom D7/392.1
 D970,289 S * 11/2022 Chen D7/392.1
 2010/0193462 A1 * 8/2010 Roth C02F 1/002
 215/229
 2014/0048511 A1 * 2/2014 El-Saden A47G 19/2266
 215/389

OTHER PUBLICATIONS

[Simple Modern Ascent Straw Lid Top Handle], available in Amazon.com, date first available Dec. 15, 2020 [online], [site visited Dec. 7, 2022], available from the internet URL: <https://www.amazon.com/Simple-Modern-Accessory-Ascent-Cherry/dp/B08QPKH9XD/> (Year: 2020).*

* cited by examiner

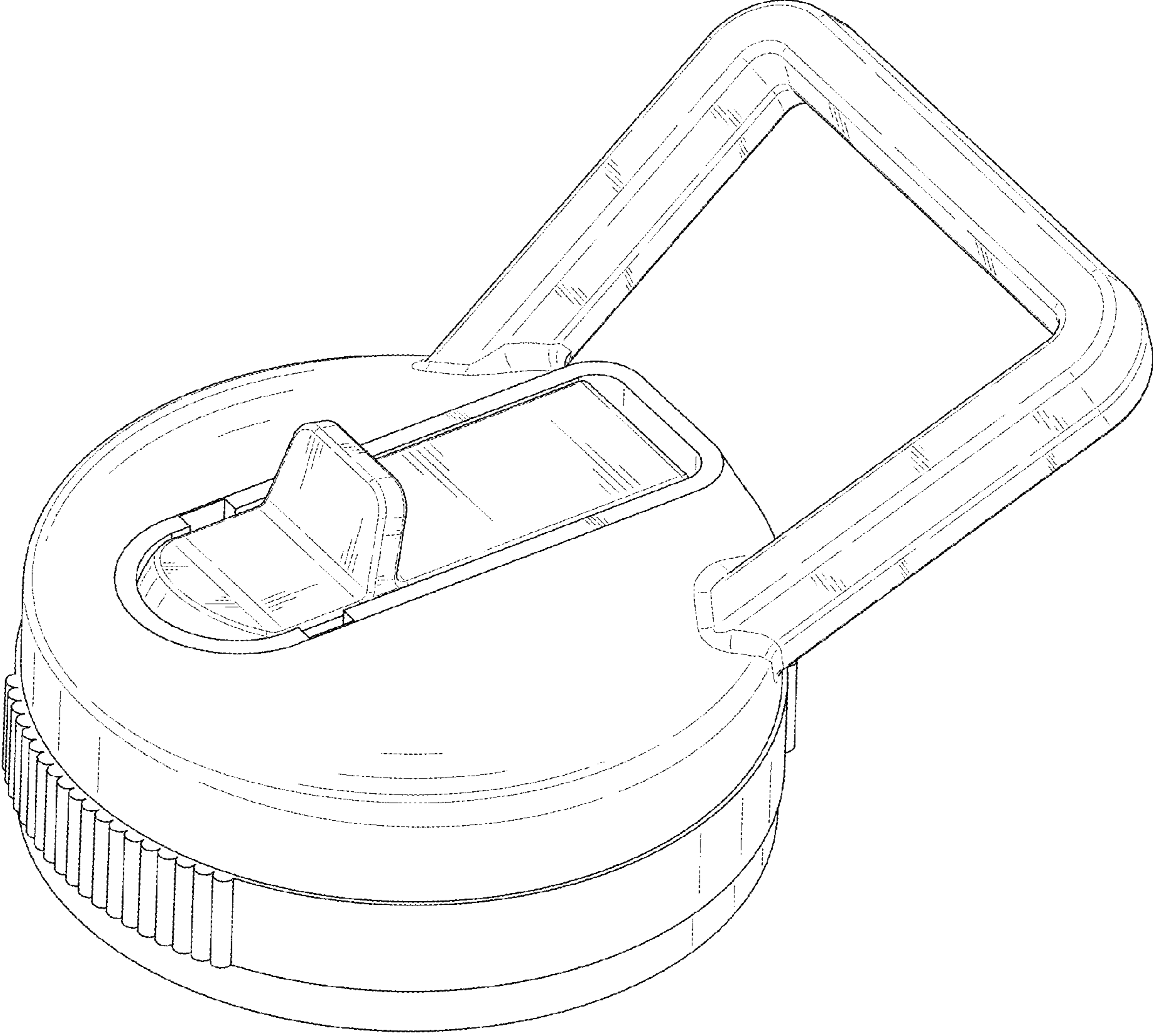


FIG. 1

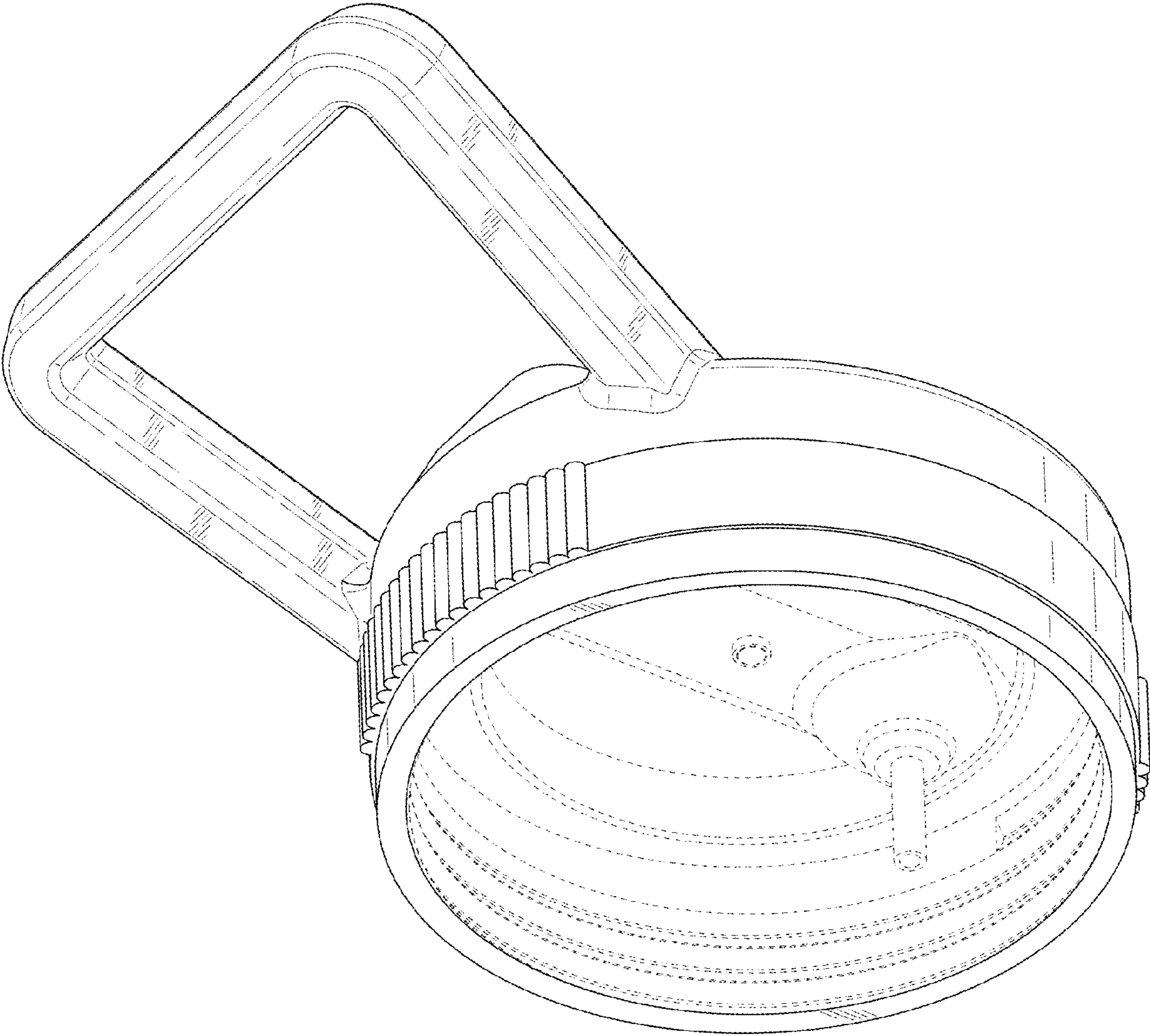


FIG. 2

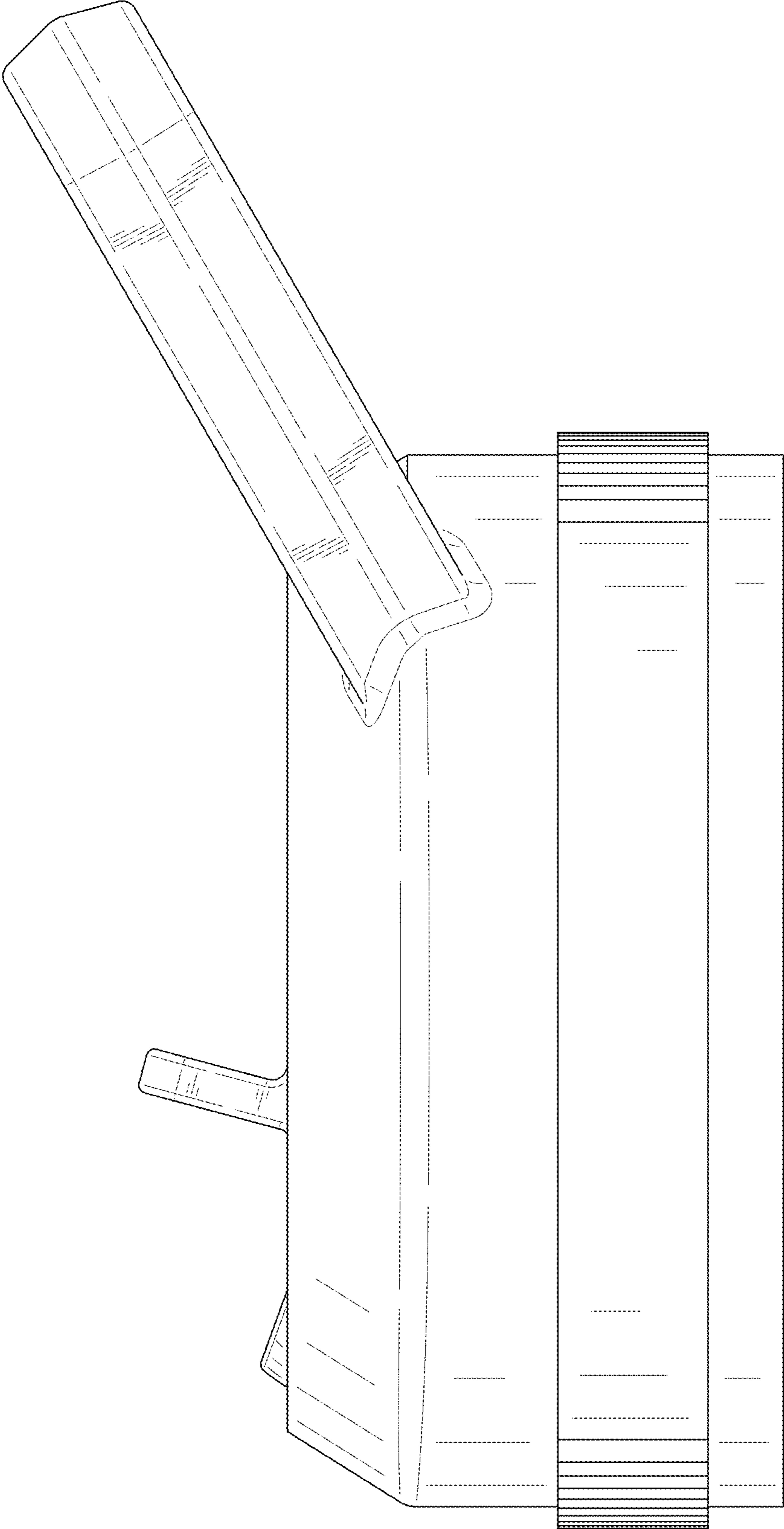


FIG. 3

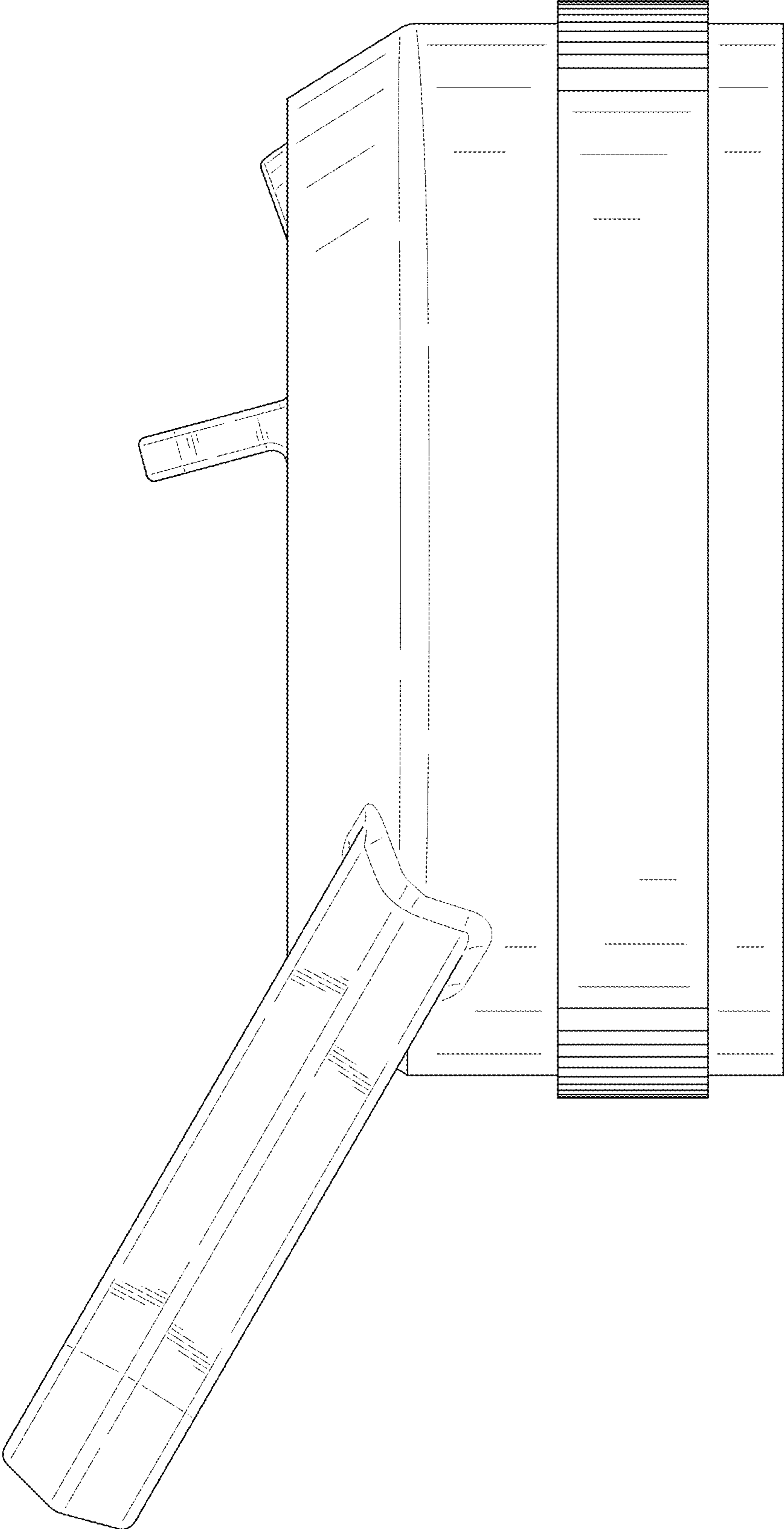


FIG. 4

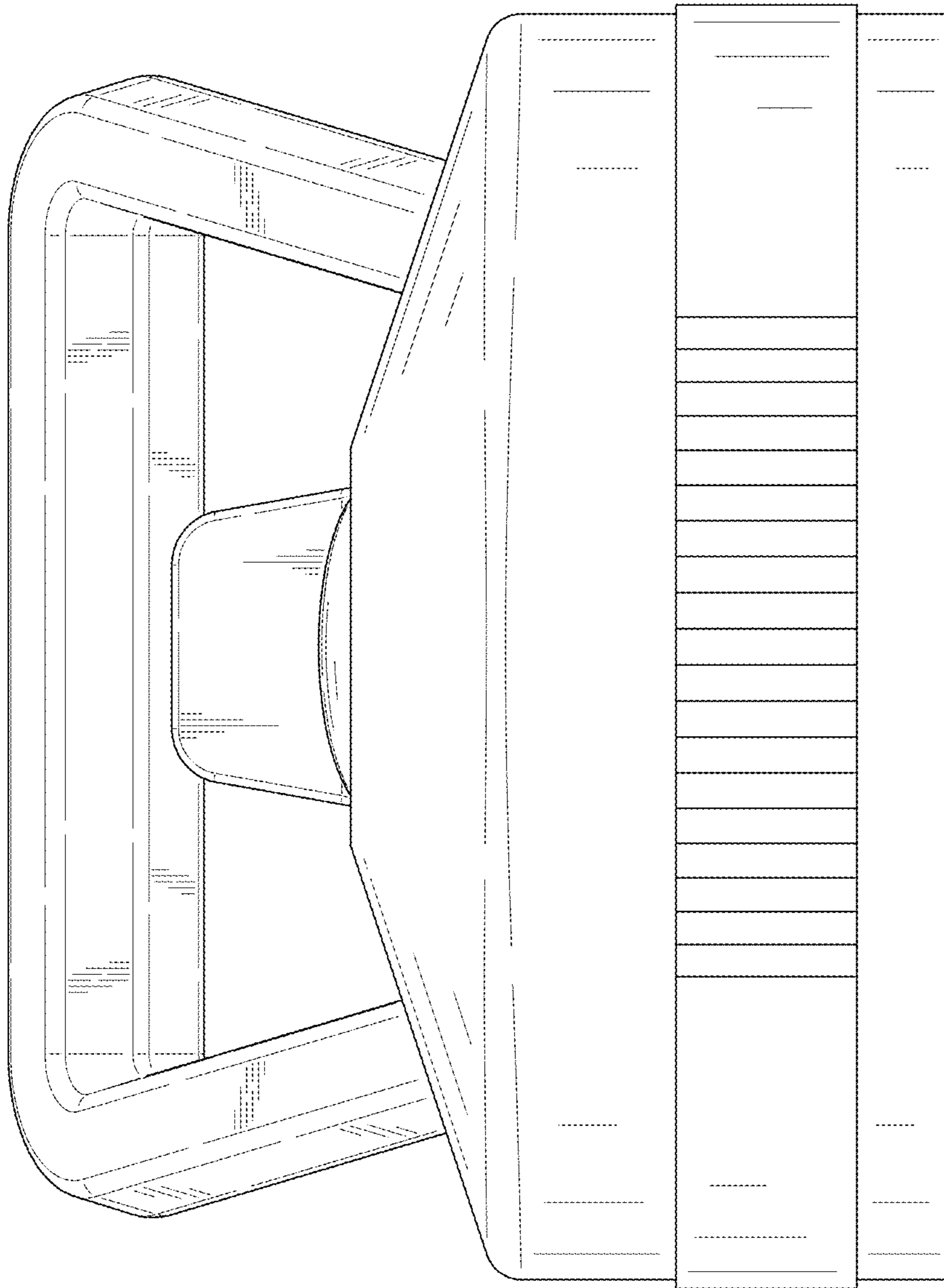


FIG. 5

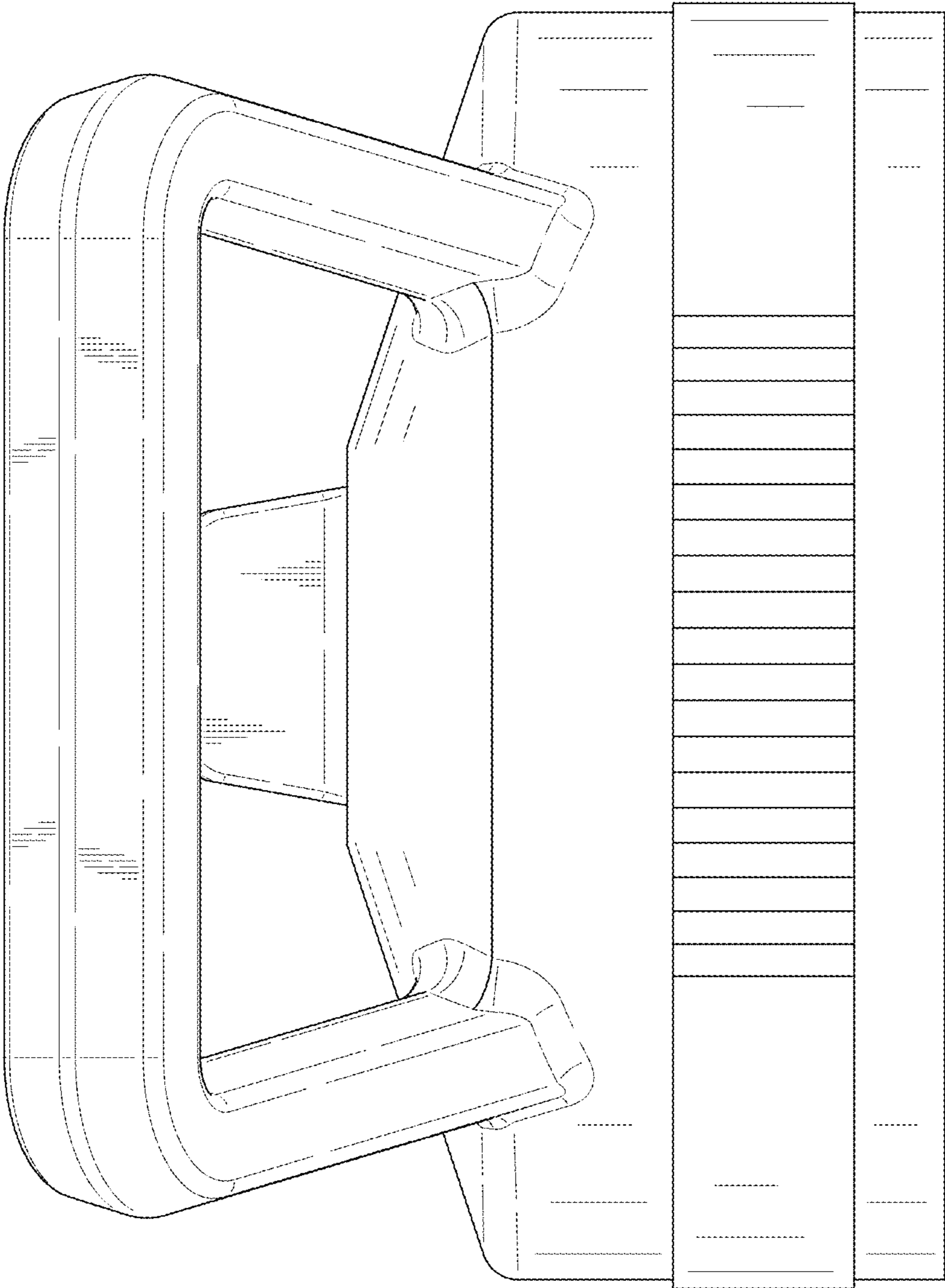


FIG. 6

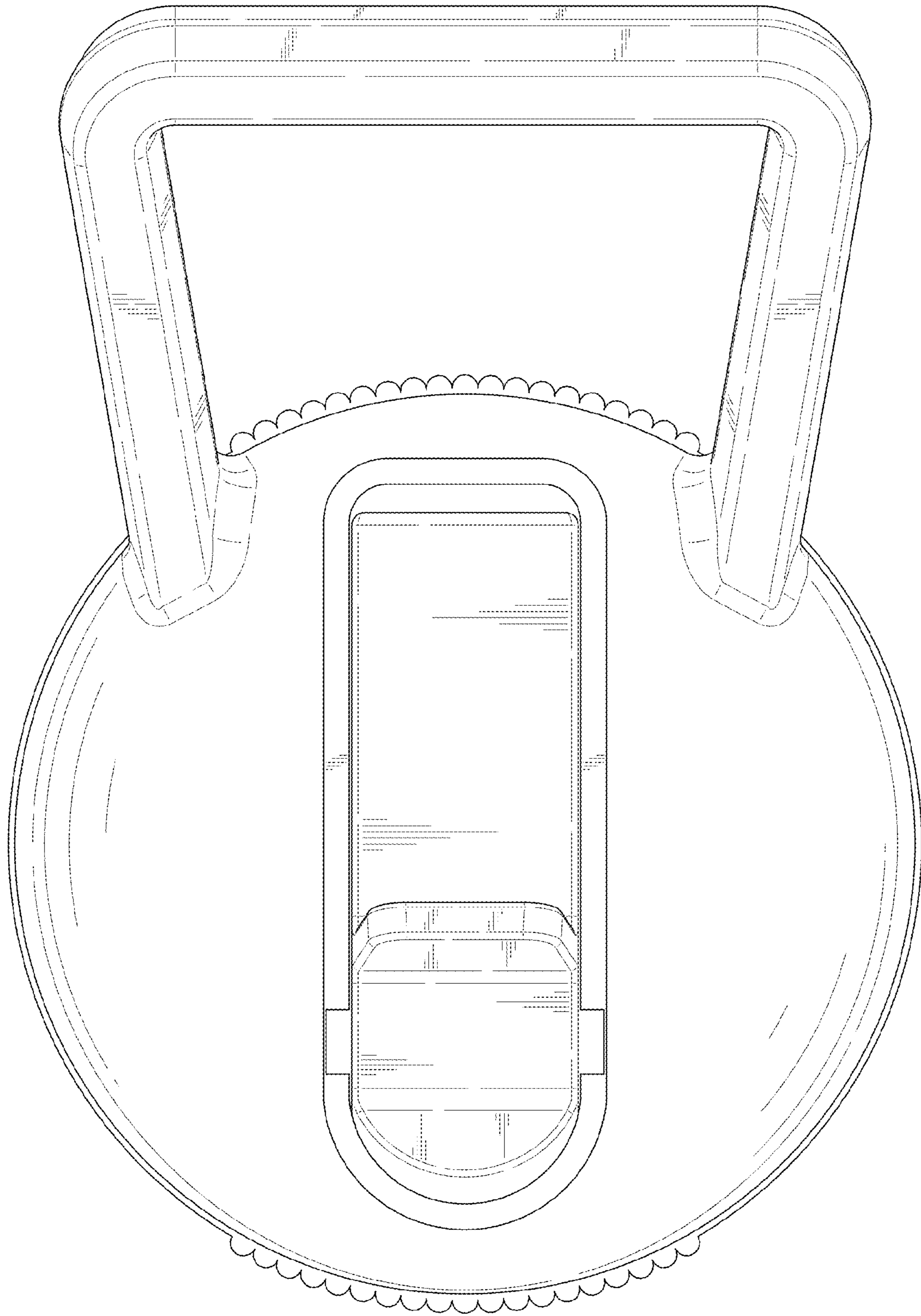


FIG. 7

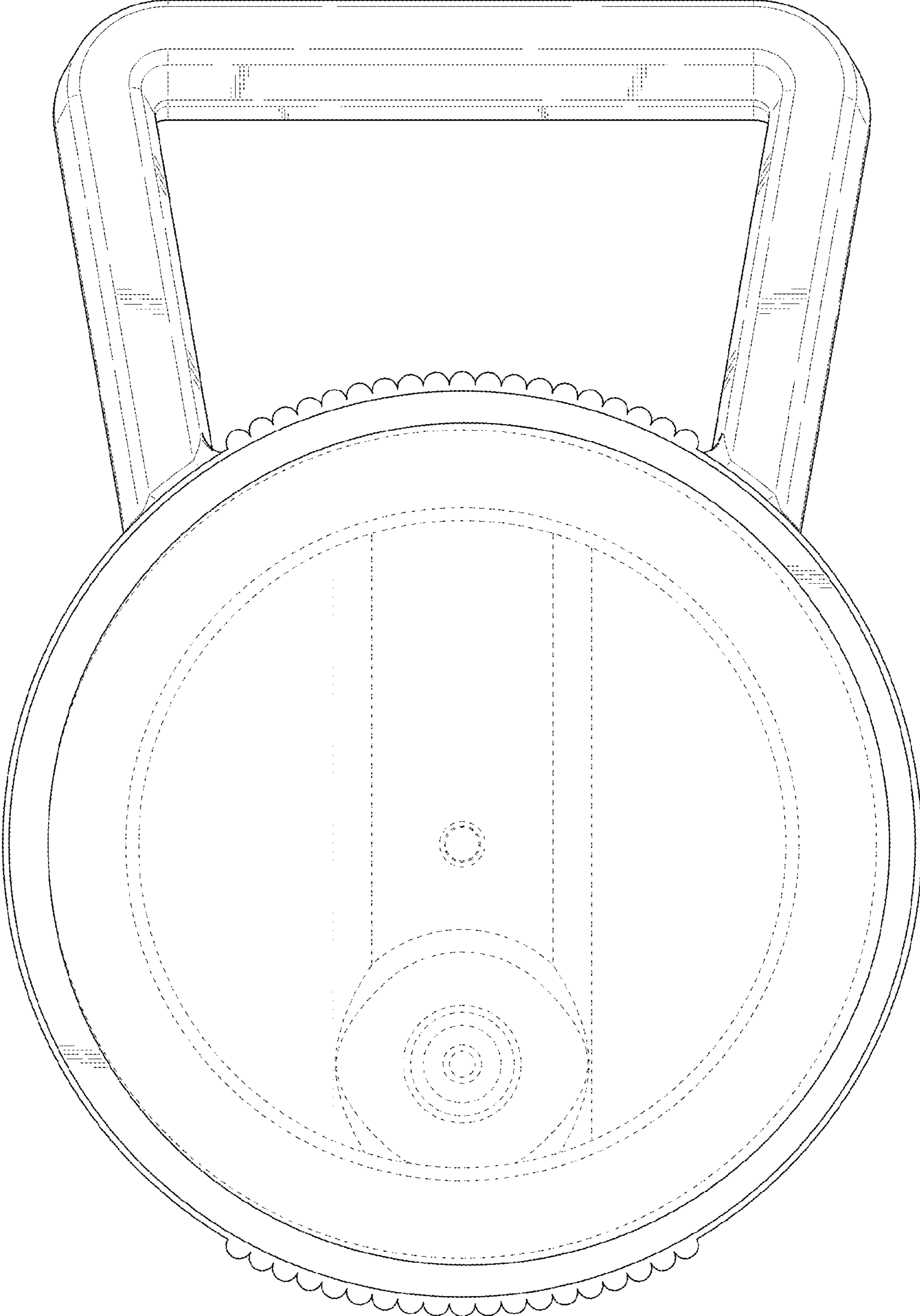


FIG. 8

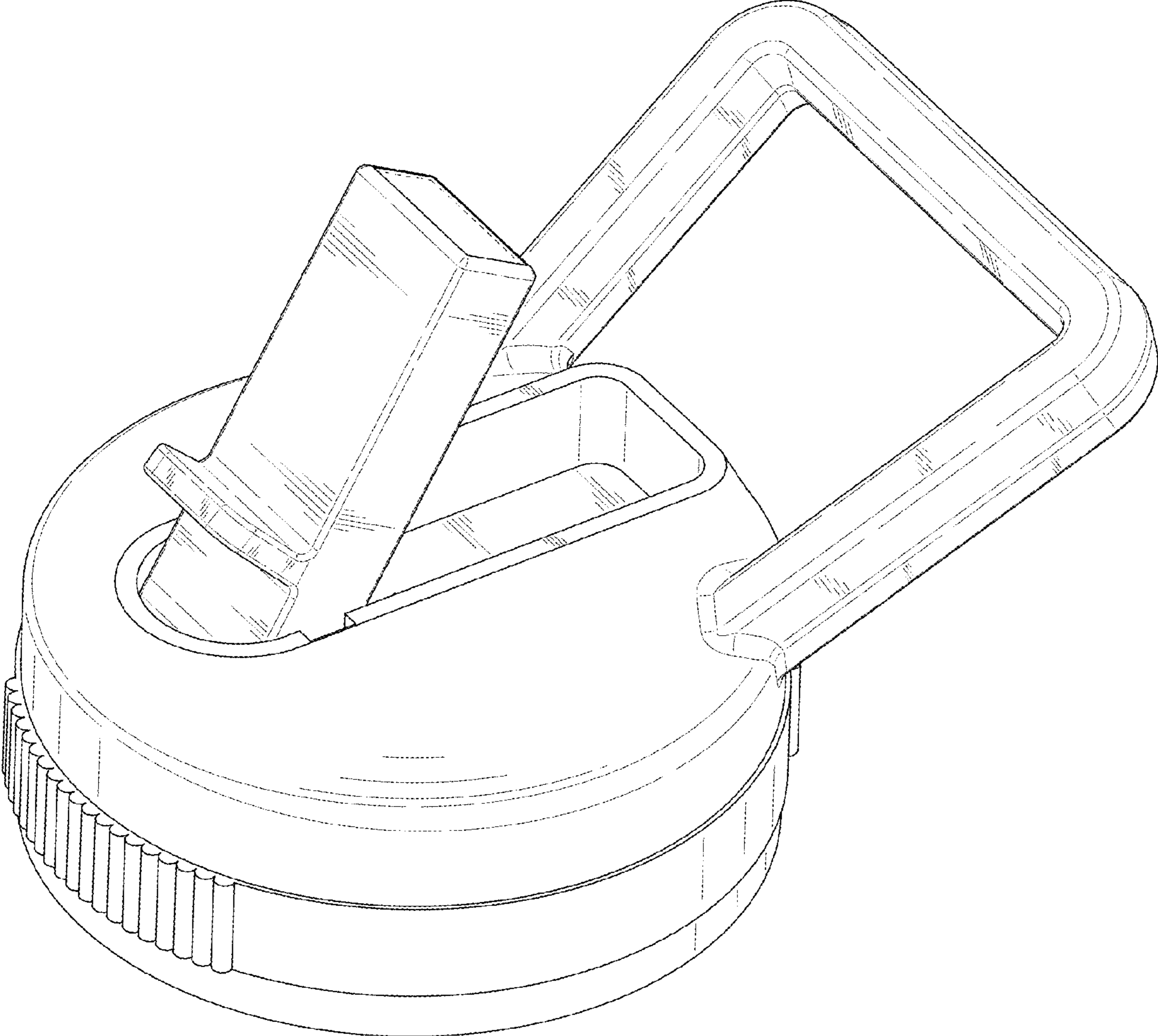


FIG. 9