



US00D988076S

(12) **United States Design Patent**
Wang

(10) **Patent No.:** **US D988,076 S**
(45) **Date of Patent:** **** Jun. 6, 2023**

- (54) **OVEN**
- (71) Applicant: **ILLINOIS TOOL WORKS INC.,**
Glenview, IL (US)
- (72) Inventor: **Fuli Wang,** Guangdong (CN)
- (73) Assignee: **ILLINOIS TOOL WORKS INC.,**
Glenview, IL (US)
- (**) Term: **15 Years**
- (21) Appl. No.: **29/848,153**
- (22) Filed: **Jul. 29, 2022**

D524,095 S	7/2006	Pino	
D525,476 S	7/2006	Bengtson	
D527,948 S	9/2006	Bengtson	
D535,515 S *	1/2007	Sadtler	D7/340
D560,958 S	2/2008	Shin	
D605,456 S *	12/2009	Bengtson	D7/340
D612,209 S	3/2010	Crookshanks	
D612,682 S	3/2010	Baker	
D671,790 S	12/2012	Busalt	
D709,726 S	7/2014	Borjesson	
D710,646 S	8/2014	Borjesson	
D724,889 S	3/2015	Borjesson	
D741,104 S	10/2015	Funnell, II	
D754,476 S	4/2016	Crookshanks	
D755,008 S *	5/2016	Kim	D7/406
D814,231 S	4/2018	Kim	
D816,386 S *	5/2018	Kim	D7/340
D817,067 S	5/2018	Shoemaker	

(Continued)

Related U.S. Application Data

- (62) Division of application No. 29/739,181, filed on Jun. 23, 2020, now Pat. No. Des. 966,806.

Foreign Application Priority Data

- Dec. 27, 2019 (CN) 201930733819.2

- (51) **LOC (14) Cl.** **07-02**
- (52) **U.S. Cl.**
USPC **D7/405**

- (58) **Field of Classification Search**
USPC D7/402-409, 323, 328-332, 339-340,
D7/346-351, 390, 397
CPC F24C 7/00; F24C 7/02; F24C 7/04; F24C
7/06; F24C 7/062; F24C 7/067; F24C
15/00; F24C 15/004; F24C 15/02; A47J
37/00

See application file for complete search history.

(56) **References Cited**

U.S. PATENT DOCUMENTS

D391,800 S *	3/1998	Holbrook, Jr.	D7/340
D424,862 S	5/2000	Holbrook	
D468,962 S	1/2003	Jones	

OTHER PUBLICATIONS

EU Registration No. 008018352-0001, Ovens [cooking], Illinois Tool Works, published Jul. 7, 2020, [retrieved on Oct. 7, 2022], Retrieved from the Internet via Orbit.*

Primary Examiner — Nicole C Shiflet

(74) *Attorney, Agent, or Firm* — Thompson Hine LLP

(57) **CLAIM**

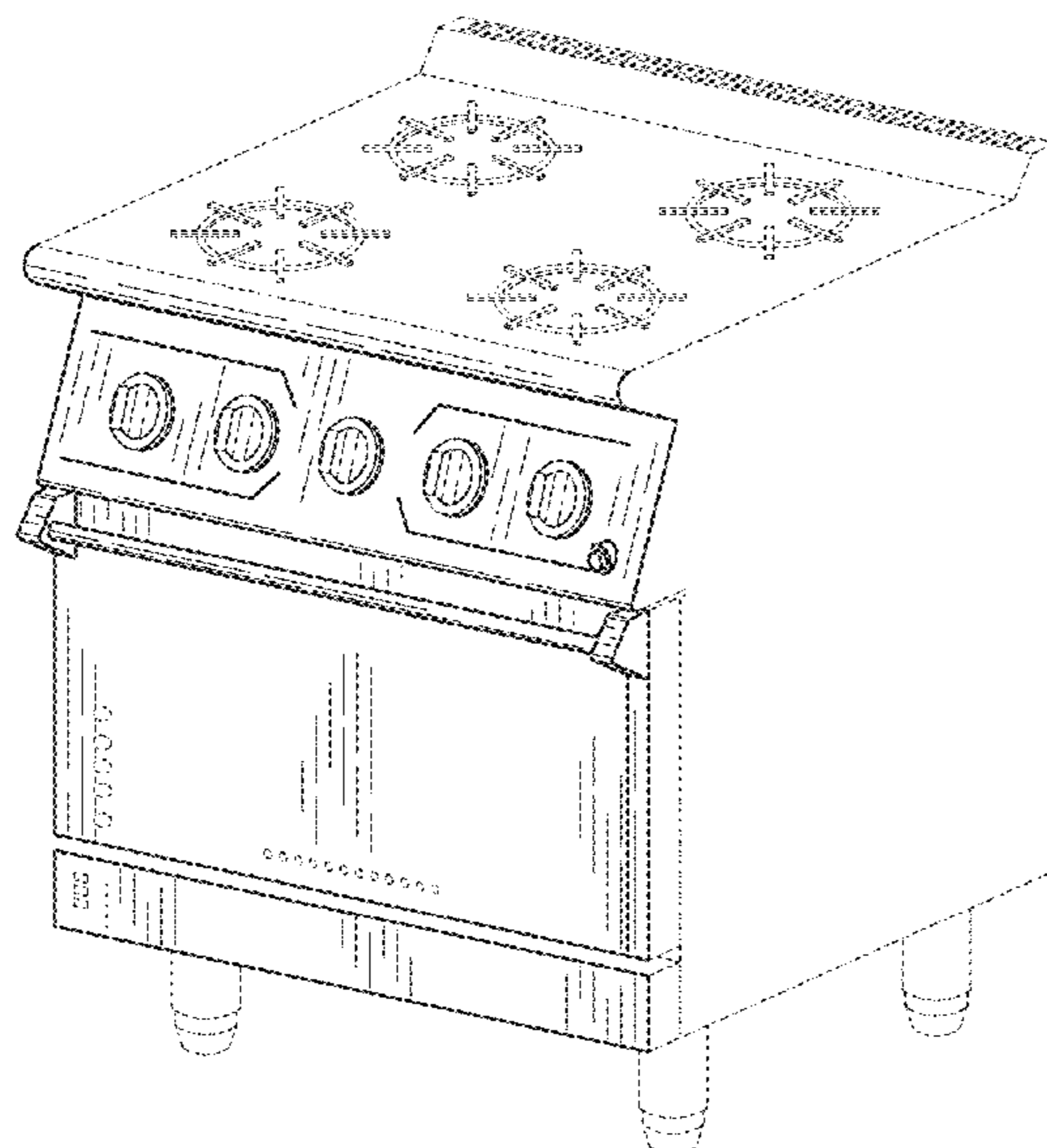
The ornamental design for an oven, as shown and described.

DESCRIPTION

FIG. 1 is a perspective view of an oven;
FIG. 2 is top view thereof;
FIG. 3 is a front view thereof;
FIG. 4 is right side view thereof;
FIG. 5 is a left side view thereof; and,
FIG. 6 is a bottom thereof.

The broken lines represent environmental structure and form no part of the claimed design.

1 Claim, 4 Drawing Sheets



(56)

References Cited

U.S. PATENT DOCUMENTS

D817,705	S	5/2018	Kim	
D821,799	S	7/2018	Kim	
D821,813	S	7/2018	Kim	
D829,484	S	10/2018	Kim	
D838,133	S	1/2019	Fuller	
D840,184	S	2/2019	Kim	
D840,185	S	2/2019	Kim	
D874,220	S *	2/2020	Kim D7/406
D880,218	S	4/2020	Kim	
D885,113	S *	5/2020	Zhou D7/339
D903,396	S *	12/2020	Lucic, III D7/340
D928,546	S *	8/2021	Han D7/340
D930,432	S *	9/2021	Hundley D7/406
2010/0140247	A1	6/2010	Watkins	
2012/0031389	A1	2/2012	McMaster	

* cited by examiner

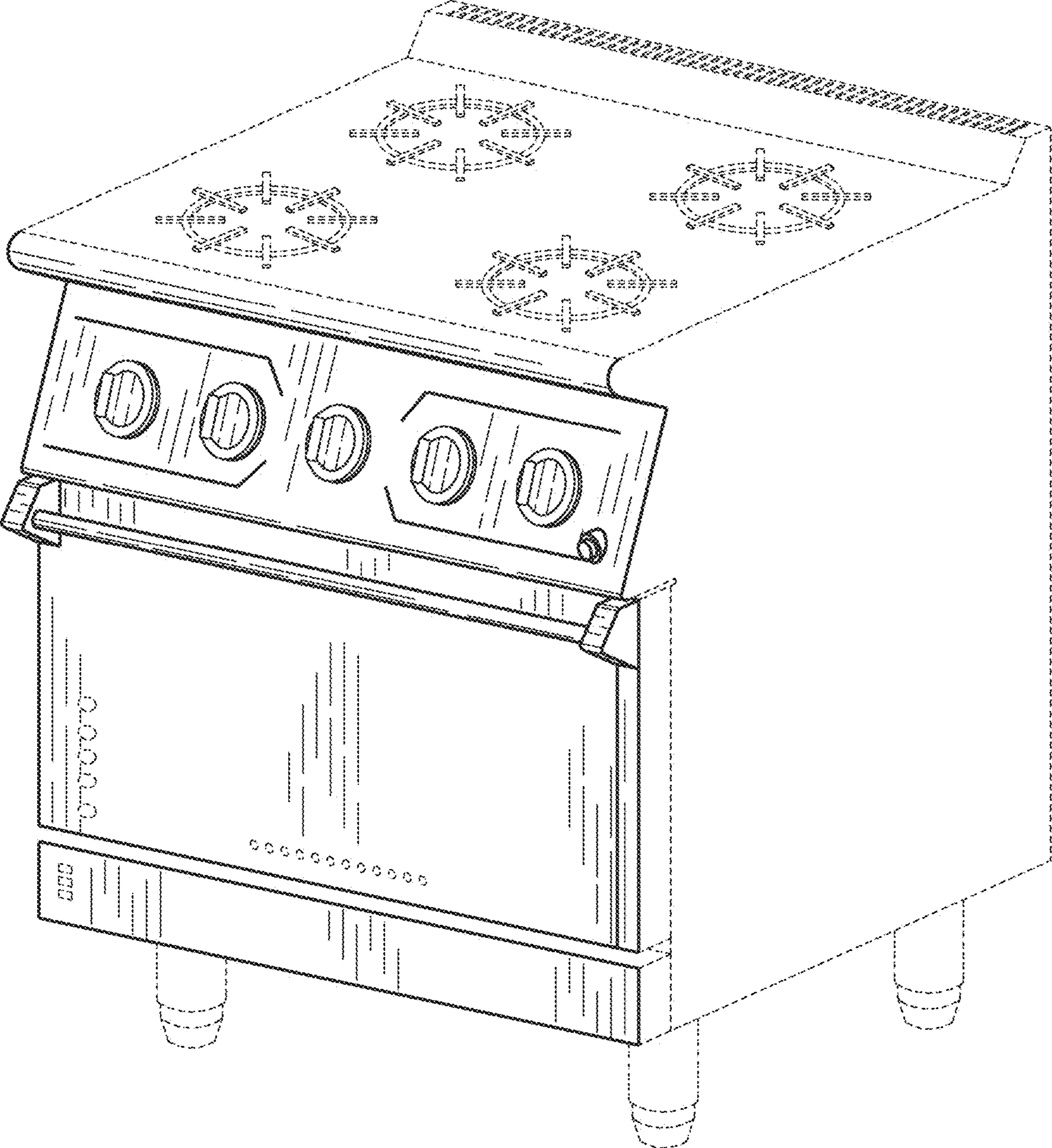


Fig. 1

Fig. 2

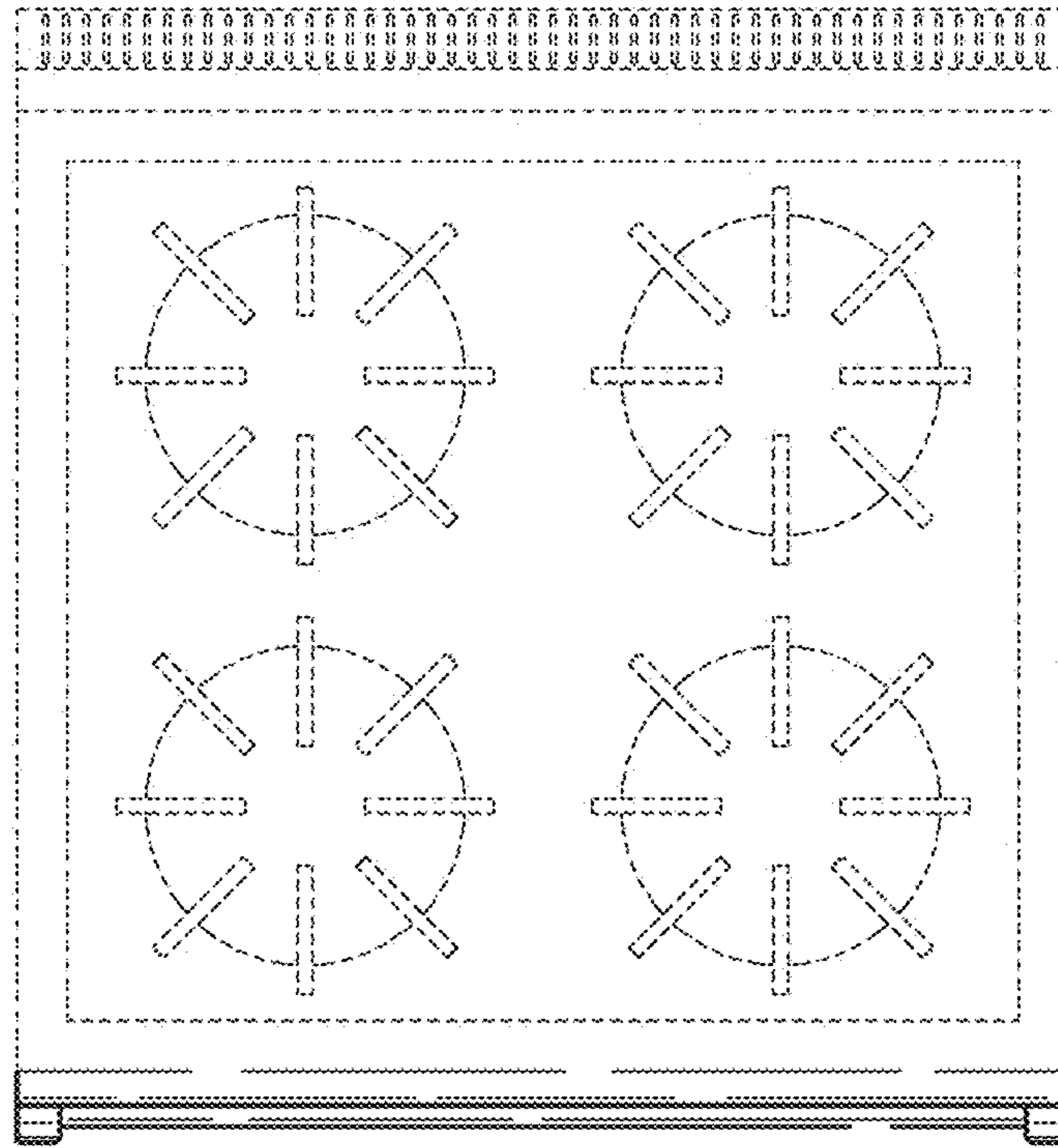


Fig. 3

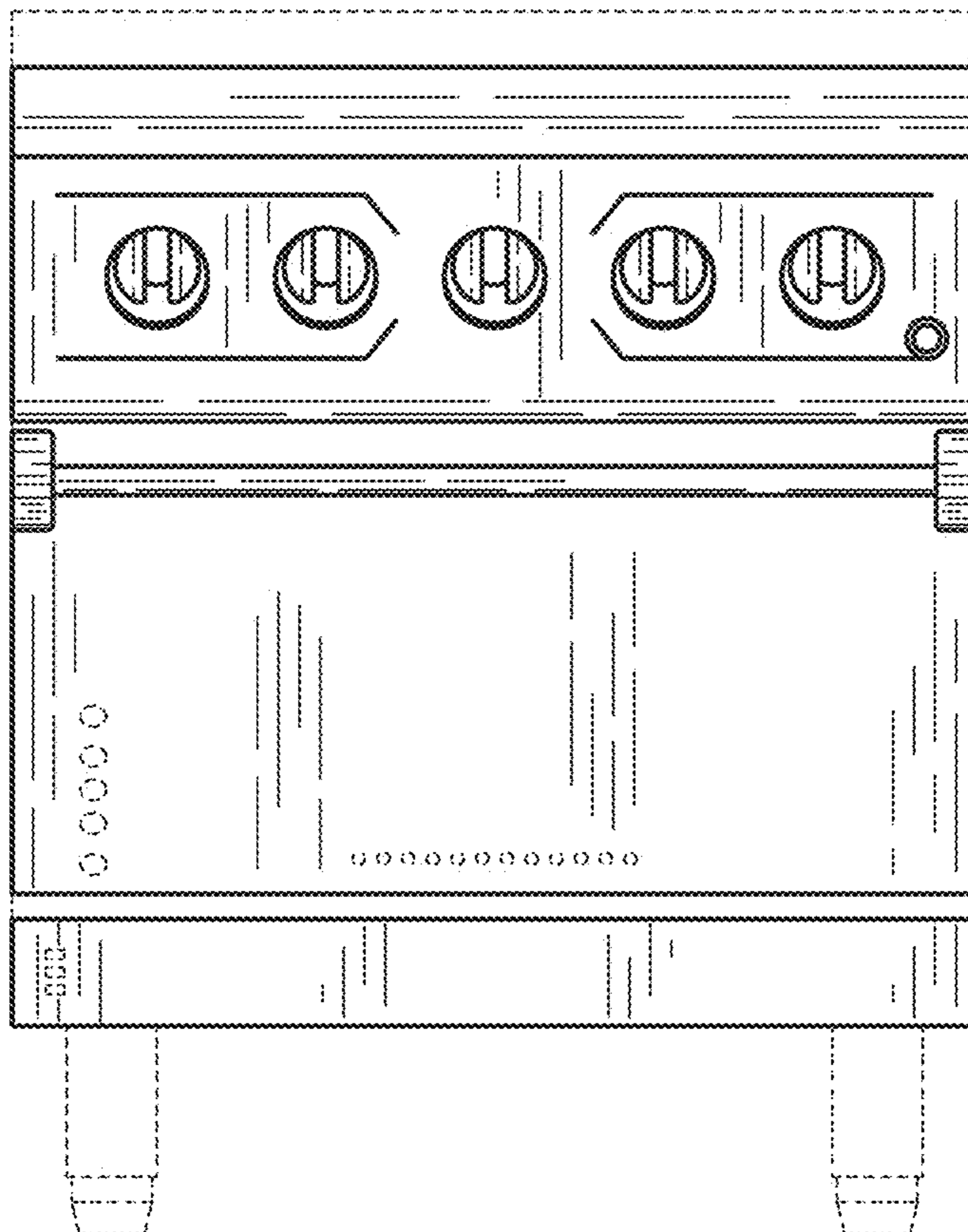


Fig. 4

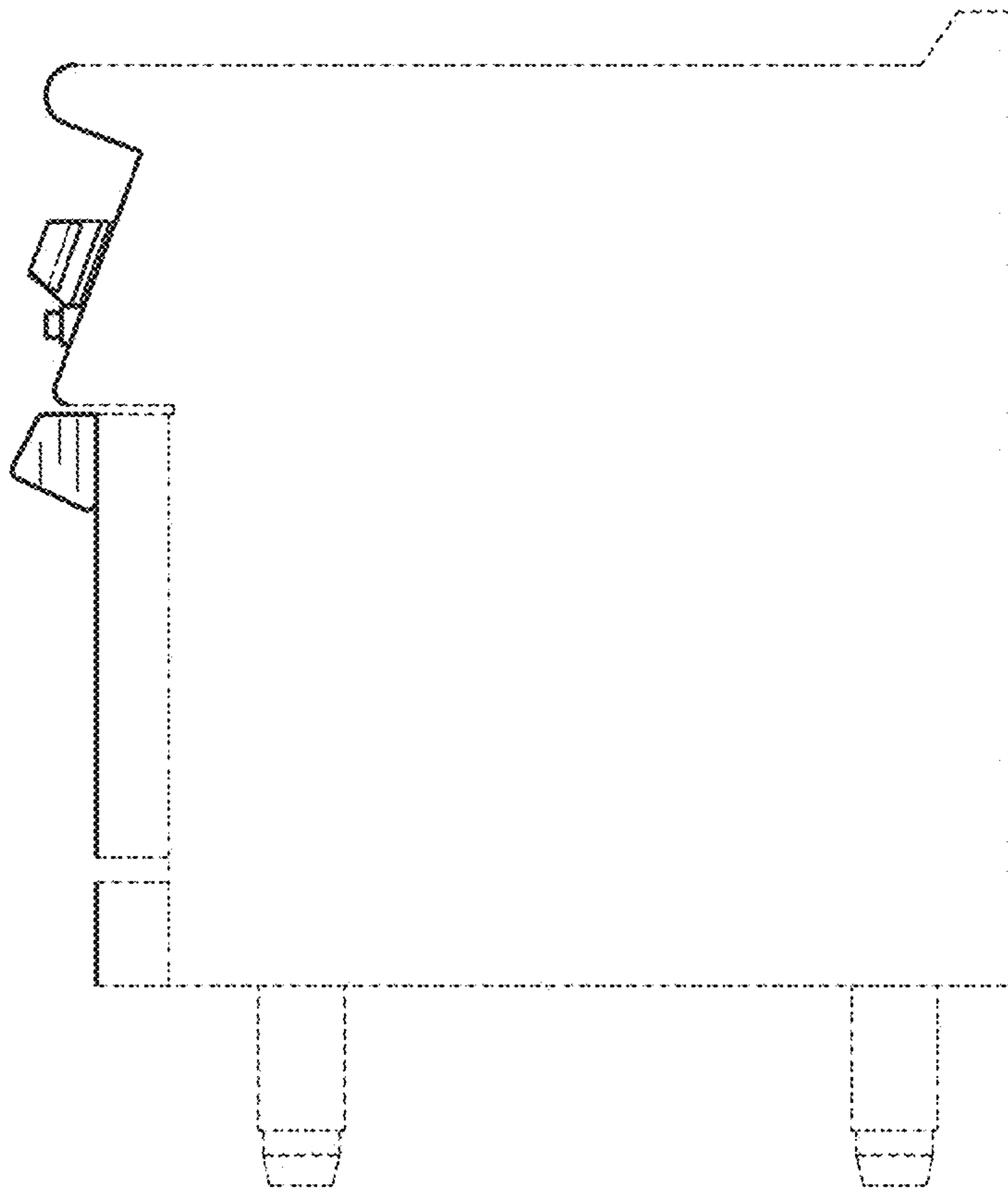
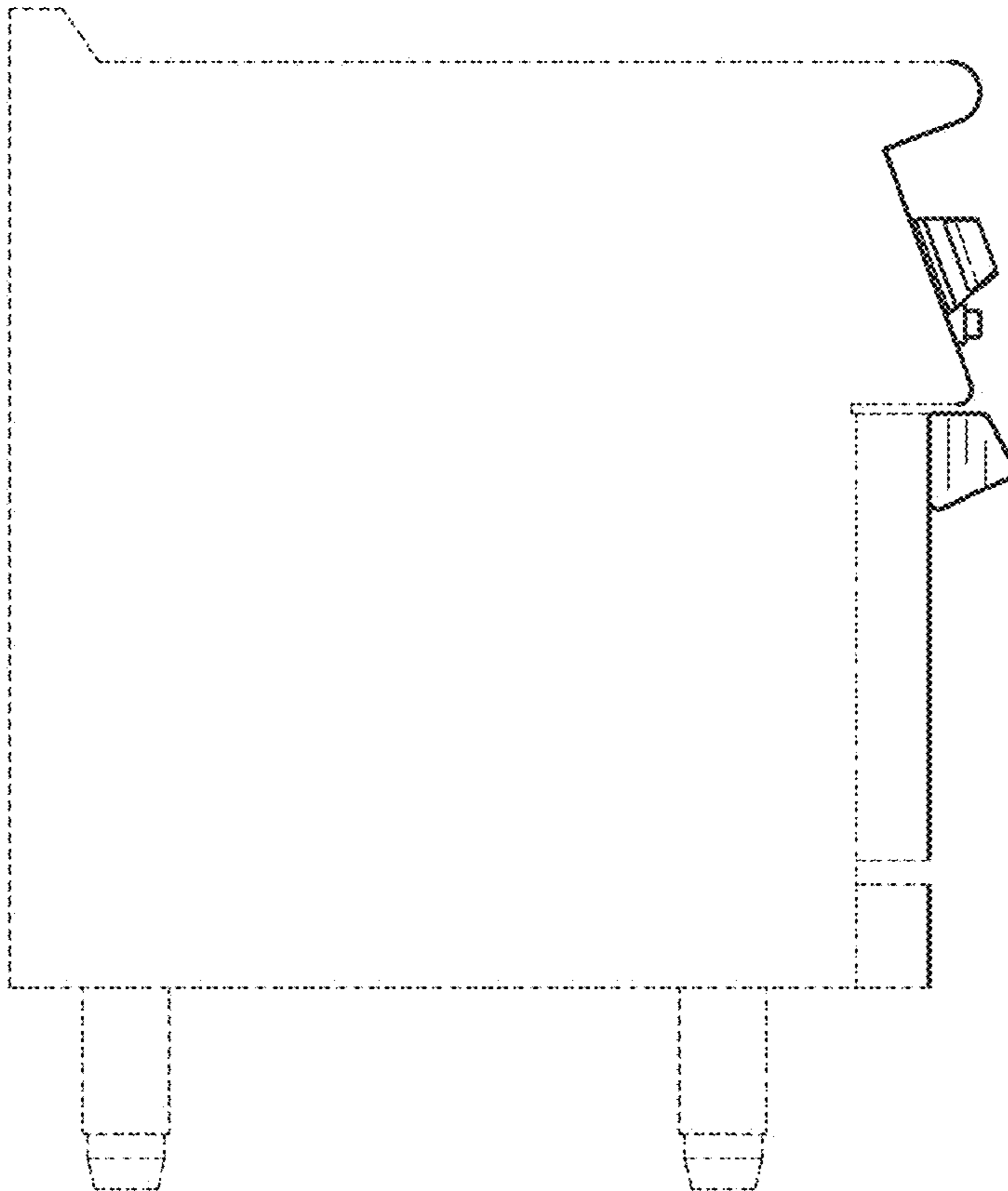


Fig. 5



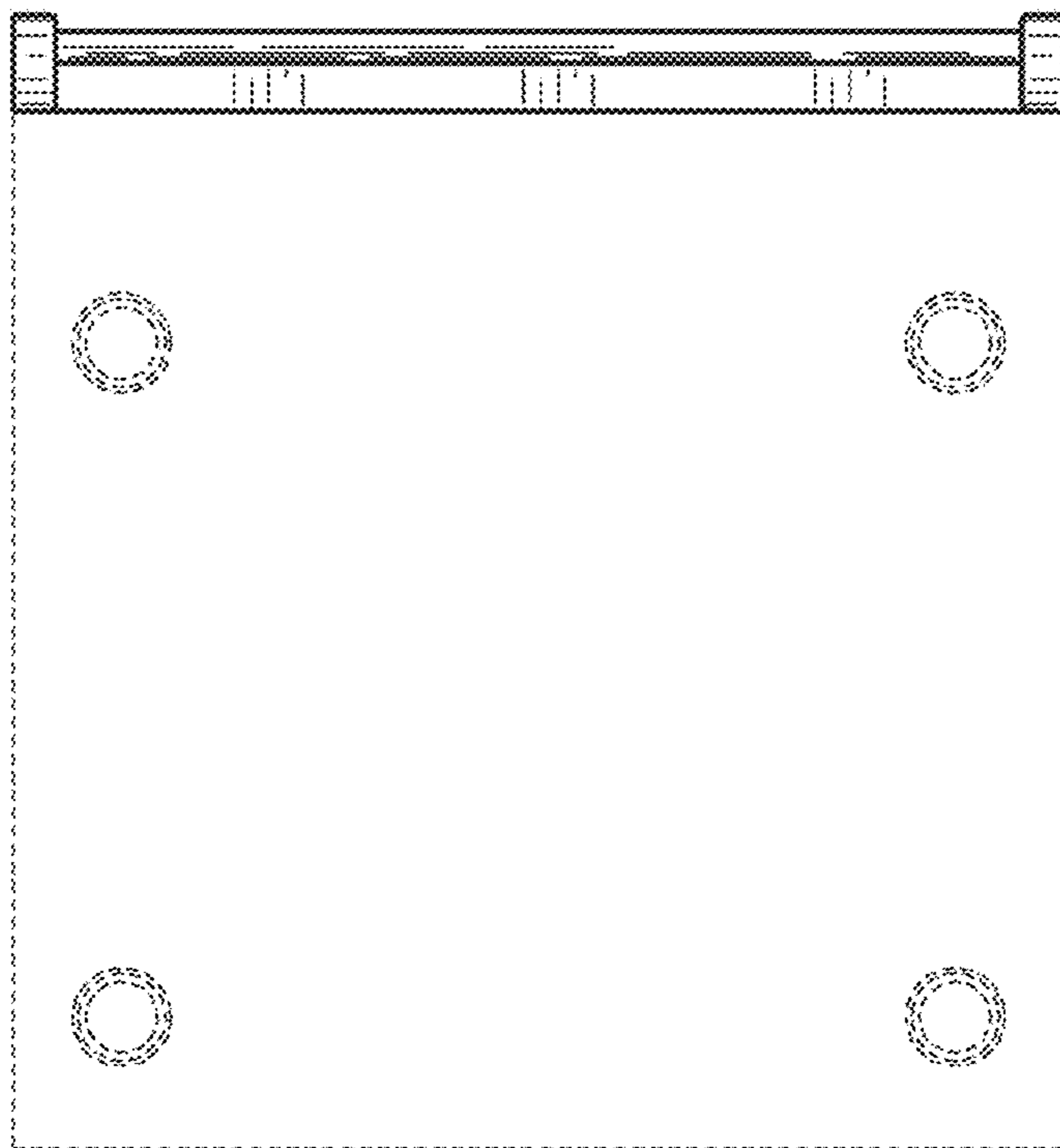


Fig. 6